

S = Standard Equipment A = Available --(dashes) = Not Available D = ADI Available

■ = Included in Equipment Group □ = Included in Equipment Group but upgradeable

Codes listed in the shaded column titled Ref. Only RPO Code are for internal use only and should not be ordered.

Free Flow RPO Code	Ref. RPO Code	Description	1LS Coupe 1AG37	1LT Coupe 1AG37	2LT Coupe 1AH37	3LT Coupe 1AH37	LT1 Coupe 1AJ37	1SS Coupe 1AJ37	2SS Coupe 1AK37	ZL1 Coupe 1AL37
			1LS	1LT	2LT	3LT	1LZ	1SS	2SS	1SE
	AYG	<b>Airbags</b> , dual-stage frontal, thorax side-impact and knee, driver and front passenger, and head curtain side-impact, includes Passenger Sensing System 1 - Always use seat belts and child restraints. Children are safer when properly secured in a rear seat in the appropriate child restraint. See the Owner's Manual for more information.	S <sup>1</sup>	S <sup>1</sup>	S <sup>1</sup>	S <sup>1</sup>	S <sup>1</sup>	S <sup>1</sup>	S <sup>1</sup>	S <sup>1</sup>
	C68	<b>Air conditioning</b> , single-zone automatic climate control	S	S	--	--	S	S	--	--
	CJ2	<b>Air conditioning</b> , dual-zone automatic climate control with individual climate settings for driver and dedicated passenger controls and outside temperature display	--	--	S	S	--	--	S	S
	IOR	<b>Audio system</b> , Chevrolet Infotainment 3 system, 7" diagonal color touchscreen, AM/FM stereo. Additional features for compatible phones include: Bluetooth audio streaming for 2 active devices, voice command pass-through to phone, Apple CarPlay and Android Auto capable.	S	S	S	--	S	--	--	--
	IOS	<b>Audio system</b> , Chevrolet Infotainment 3 Plus system, 8" diagonal HD color touchscreen, AM/FM stereo, Bluetooth audio streaming for 2 active devices, Apple CarPlay and Android Auto capable, voice recognition, in-vehicle apps, cloud connected personalization for select infotainment and vehicle settings. Subscription required for enhanced and connected services after trial period. 1 - Included and only available with (Y3W) Technology Package.	--	A <sup>1</sup>	A <sup>1</sup>	S	A <sup>1</sup>	S	S	S

Free Flow RPO Code	Ref. Only RPO Code	Description	1LS Coupe 1AG37	1LT Coupe 1AG37	2LT Coupe 1AH37	3LT Coupe 1AH37	LT1 Coupe 1AJ37	1SS Coupe 1AJ37	2SS Coupe 1AK37	ZL1 Coupe 1AL37
			1LS	1LT	2LT	3LT	1LZ	1SS	2SS	1SE
			U2K	<p><b>SiriusXM Radio</b>, enjoy a 12-month All Access trial subscription with over 150 channels including commercial-free music, plus sports, news and entertainment. Plus listening on the SiriusXM app, online and at home on compatible connected devices is included, so you'll hear the best SiriusXM has to offer, anywhere life takes you. Welcome to the world of SiriusXM.</p> <p><b>1 - IMPORTANT: The SiriusXM radio trial package is not provided on vehicles that are ordered for Fleet Daily Rental ("FDR") use. If you decide to continue service after your trial, the subscription plan you choose will automatically renew thereafter and you will be charged according to your chosen payment method at then-current rates. Fees and taxes apply. See the SiriusXM Customer Agreement at <a href="http://www.siriusxm.com">www.siriusxm.com</a> for complete terms and how to cancel. All fees, content, features, and availability are subject to change.</b></p>	--	S <sup>1</sup>	S <sup>1</sup>	--	S <sup>1</sup>	--

Free Flow RPO Code	Ref. Only RPO Code	Description	1LS Coupe 1AG37	1LT Coupe 1AG37	2LT Coupe 1AH37	3LT Coupe 1AH37	LT1 Coupe 1AJ37	1SS Coupe 1AJ37	2SS Coupe 1AK37	ZL1 Coupe 1AL37
			1LS	1LT	2LT	3LT	1LZ	1SS	2SS	1SE
		<p><b>SiriusXM with 360L</b>, Equipped with SiriusXM with 360L. Enjoy a 12-month trial subscription of the All Access package for the full 360L experience, with a greater variety of SiriusXM content, a more personalized experience and easier navigation. With the All Access package, you can also enjoy your favorites everywhere you go, with the SiriusXM app, online and at home on compatible connected devices.</p> <p>1 - Included and only available with (IOS) Chevrolet Infotainment 3 Plus system. <b>IMPORTANT:</b> The SiriusXM radio trial package is not provided on vehicles that are ordered for Fleet Daily Rental ("FDR") use. If you decide to continue service after your trial, the subscription plan you choose will automatically renew thereafter and you will be charged according to your chosen payment method at then-current rates. Fees and taxes apply. See the SiriusXM Customer Agreement at <a href="http://www.siriusxm.com">www.siriusxm.com</a> for complete terms and how to cancel. All fees, content, features, and availability are subject to change. GM connected vehicle services vary by vehicle model and require active service plan, working electrical system, cell reception and GPS signal. See <a href="http://onstar.com">onstar.com</a> for details and limitations.</p> <p>2 - <b>IMPORTANT:</b> The SiriusXM radio trial package is not provided on vehicles that are ordered for Fleet Daily Rental ("FDR") use. If you decide to continue service after your trial, the subscription plan you choose will automatically renew thereafter and you will be charged according to your chosen payment method at then-current rates. Fees and taxes apply. See the SiriusXM Customer Agreement at <a href="http://www.siriusxm.com">www.siriusxm.com</a> for complete terms and how to cancel. All fees, content, features, and availability are subject to change. GM connected vehicle services vary by vehicle model and require active service plan, working electrical system, cell reception and GPS signal. See <a href="http://onstar.com">onstar.com</a> for details and limitations.</p>	--	A <sup>1</sup>	A <sup>1</sup>	S <sup>2</sup>	A <sup>1</sup>	S <sup>2</sup>	S <sup>2</sup>	S <sup>2</sup>
	UQ3	Audio system feature, 6-speaker system	S	S	S	--	S	S	--	--
	UQA	Audio system feature, Bose premium 9-speaker system 1 - Included and only available with (Y3W) Technology Package.	--	A <sup>1</sup>	A <sup>1</sup>	S	A <sup>1</sup>	--	S	S

Free Flow RPO Code	Ref. Only RPO Code	Description	1LS Coupe 1AG37	1LT Coupe 1AG37	2LT Coupe 1AH37	3LT Coupe 1AH37	LT1 Coupe 1AJ37	1SS Coupe 1AJ37	2SS Coupe 1AK37	ZL1 Coupe 1AL37
			1LS	1LT	2LT	3LT	1LZ	1SS	2SS	1SE
	UPG	<b>Bluetooth for phone</b>	S	S	S	S	S	S	S	S
		<b>Compass display</b>	S	S	S	S	S	S	S	S
		<b>Cruise control</b> , electronic with set and resume speed, steering wheel mounted	S	S	S	S	S	S	S	S
		<b>Cup holders</b> , 2 front	S	S	S	S	S	S	S	S
		<b>Dead pedal</b> , driver	S	S	S	S	S	S	S	S
		<b>Defogger</b> , rear-window, electric	S	S	S	S	S	S	S	S
		<b>Door locks</b> , power programmable with lockout protection	S	S	S	S	S	S	S	S
	UDD	<b>Driver Information Center</b> , color display	S	S	S	--	S	--	--	--
	UHS	<b>Driver Information Center</b> , enhanced, 8" diagonal multi-color re-configurable display	--	--	--	S	--	S	S	S
	B34	<b>Floor mats</b> , carpeted front	S	S	S	S	S	S	S	S
	UEU	<b>Forward Collision Alert</b> 1 - Deleted when (UQT) Performance data and video recorder is ordered.	--	--	--	S <sup>1</sup>	--	--	S <sup>1</sup>	S <sup>1</sup>
		<b>Glovebox</b> , lockable	S	S	S	S	S	S	S	S
	UV6	<b>Head-Up Display</b> , with color digital readouts for vehicle speed, selected gear, G-Force, audio system information, high-beam indicator, compass, outside air temperature, tachometer, vehicle messages, Turn-by-Turn information and phone information 1 - Included and only available with (A1Y) SS 1LE Track Performance Package.	--	--	--	S	--	A <sup>1</sup>	S	S
		<b>Interior trim</b> , aluminum accents on door trim and shifter cap	--	--	--	S	--	--	S	S
	ATH	<b>Keyless Open and Start</b> , includes 2 remote transmitters that enable automatic door unlock and open by touching door switch	S	S	S	S	S	S	S	S
		<b>LATCH system</b> (Lower Anchors and Tethers for CHildren), for child restraint seats	S	S	S	S	S	S	S	S
		<b>Lighting</b> , front reading lamps	S	S	S	S	S	S	S	S
	C70	<b>Lighting</b> , interior spectrum, 24 different color selections	--	--	--	S	--	--	S	S

Free Flow RPO Code	Ref. Only RPO Code	Description	1LS Coupe 1AG37	1LT Coupe 1AG37	2LT Coupe 1AH37	3LT Coupe 1AH37	LT1 Coupe 1AJ37	1SS Coupe 1AJ37	2SS Coupe 1AK37	ZL1 Coupe 1AL37
			1LS	1LT	2LT	3LT	1LZ	1SS	2SS	1SE
	A45	<b>Memory Package</b> , recalls 2 driver "presets" for 8-way power driver seat and outside mirrors	--	--	--	S	--	--	S	S
	D31	<b>Mirror</b> , inside rearview manual day/night, frameless	S	S	S	--	S	S	--	--
	DRZ	<b>Rear Camera Mirror</b>	--	--	--	S	--	--	S	S
	UE1	<b>OnStar and Chevrolet connected services capable</b> 1 - Terms and limitations apply. See onstar.com or dealer for details.	S <sup>1</sup>	S <sup>1</sup>	S <sup>1</sup>	S <sup>1</sup>	S <sup>1</sup>	S <sup>1</sup>	S <sup>1</sup>	S <sup>1</sup>
	VV4	<b>4G LTE Wi-Fi Hotspot capable</b> 1 - Terms and limitations apply. See onstar.com or dealer for details.	S <sup>1</sup>	S <sup>1</sup>	S <sup>1</sup>	S <sup>1</sup>	S <sup>1</sup>	S <sup>1</sup>	S <sup>1</sup>	S <sup>1</sup>
		<b>Chevrolet Connected Access capable</b> 1 - Subject to terms. See onstar.com or dealer for details.	S <sup>1</sup>	S <sup>1</sup>	S <sup>1</sup>	S <sup>1</sup>	S <sup>1</sup>	S <sup>1</sup>	S <sup>1</sup>	S <sup>1</sup>
	JF5	<b>Pedals</b> , sport alloy	--	A	A	A	A	A	A	S
	UVB	<b>HD Rear Vision Camera</b> 1 - Rear Vision Camera display is not HD with IOR audio system.	S <sup>1</sup>	S <sup>1</sup>	S <sup>1</sup>	S	S <sup>1</sup>	S	S	S
		<b>Seat belts</b> , 3-point, all positions, includes front seat driver and front passenger seat belt pretensioners	S	S	S	S	S	S	S	S
	A50	<b>Seats</b> , front Sport bucket	S	S	S	S	S	S	S	--
	AQJ	<b>Seats</b> , front bucket, RECARO performance 1 - Requires (H1T/H0Y) Jet Black interior trim.	--	A <sup>1</sup>	A <sup>1</sup>	A <sup>1</sup>	A <sup>1</sup>	A <sup>1</sup>	A <sup>1</sup>	S
	AM7	<b>Seat</b> , rear, folding	S	S	S	S	S	S	S	S
	KA1	<b>Seats</b> , heated driver and front passenger	--	--	S	S	--	--	S	S
	KQV	<b>Seats</b> , ventilated driver and front passenger	--	--	S	S	--	--	S	S
	AV3	<b>Seat adjuster</b> , driver, 8-way power	S	S	S	S	S	S	S	S
	AAQ	<b>Seat adjuster</b> , front passenger, 4-way manual with power recline	S	--	--	--	--	--	--	--
	AKQ	<b>Seat adjuster</b> , front passenger, 6-way power	--	S	S	S	S	S	S	S
	VY7	<b>Shift knob</b> , leather-wrapped	S	S	S	S	S	S	S	--

Free Flow RPO Code	Ref. Only RPO Code	Description	1LS Coupe 1AG37	1LT Coupe 1AG37	2LT Coupe 1AH37	3LT Coupe 1AH37	LT1 Coupe 1AJ37	1SS Coupe 1AJ37	2SS Coupe 1AK37	ZL1 Coupe 1AL37
			1LS	1LT	2LT	3LT	1LZ	1SS	2SS	1SE
	KS9	<b>Shift knob</b> , sueded microfiber-wrapped 1 - Included and only available with (N26) sueded microfiber-wrapped steering wheel or (A1X/A1Y) 1LE Track Performance Package. 2 - Included and only available with (N26) sueded microfiber-wrapped steering wheel.	--	A <sup>1</sup>	A <sup>1</sup>	A <sup>1</sup>	A <sup>2</sup>	A <sup>1</sup>	A <sup>1</sup>	S
	B7G	<b>Sill plates</b> , illuminated	--	--	--	S	--	--	S	S
	UMN	<b>Speedometer</b> , miles/kilometers	S	S	S	S	S	S	S	S
		<b>Steering column</b> , manual rake and telescopic	S	S	S	S	S	S	S	S
	NP5	<b>Steering wheel</b> , leather-wrapped, flat-bottom	S	S	S	S	S	S	S	--
N26		<b>Steering wheel</b> , 3-spoke, sueded microfiber-wrapped, flat-bottom 1 - Requires (MX0) automatic transmission.	--	A	A	A	A <sup>1</sup>	A	A	S
	UVD	<b>Steering wheel</b> , heated	--	--	--	S	--	--	S	S
	TDM	<b>Teen Driver</b> , a configurable feature that lets you activate customizable vehicle settings associated with a key fob, to help encourage safe driving behavior. It can limit certain available vehicle features, and it prevents certain safety systems from being turned off. An in-vehicle report card gives you information on driving habits and helps you to continue to coach your new driver	S	S	S	S	S	S	S	S
		<b>Theft-deterrent system</b> , electrical, unauthorized entry	S	S	S	S	S	S	S	S
		<b>Tire Fill Alert</b>	S	S	S	S	S	S	S	S
		<b>Tire Pressure Monitor System</b>	S	S	S	S	S	S	S	S
		<b>Trunk emergency release handle</b>	S	S	S	S	S	S	S	S
		<b>Trunk release</b> , power	S	S	S	S	S	S	S	S
		<b>Visors</b> , driver and front passenger vanity mirrors, covered, non-illuminated	S	S	S	--	S	--	--	--
		<b>Visors</b> , driver and front passenger vanity mirrors, covered, illuminated	--	--	--	S	--	S	S	S
		<b>Windows</b> , power with driver and passenger Express-Down/Up	S	S	S	S	S	S	S	S
	K4C	<b>Wireless Charging</b> for devices	--	--	--	S	--	--	S	S

Free Flow RPO Code	Ref. Only RPO Code	Description	1LS Coupe 1AG37	1LT Coupe 1AG37	2LT Coupe 1AH37	3LT Coupe 1AH37	LT1 Coupe 1AJ37	1SS Coupe 1AJ37	2SS Coupe 1AK37	ZL1 Coupe 1AL37
			1LS	1LT	2LT	3LT	1LZ	1SS	2SS	1SE
	PPW	<b>NEW!</b> Wireless Apple CarPlay/Wireless Android Auto	S	S	S	S	S	S	S	S
	U77	Antenna, integral rear window	S	S	S	S	S	S	S	S
		Antenna, OnStar and SiriusXM Radio, fin-type 1 - Black. 2 - Black, except when (WRS) RS Package is ordered and changes to body-color. 3 - Body-color.	S <sup>1</sup>	S <sup>2</sup>	S <sup>2</sup>	S <sup>3</sup>	S <sup>2</sup>	S <sup>3</sup>	S <sup>3</sup>	S <sup>3</sup>
		Bowties, Black, front and rear 1 - Included and only available with (WRS) RS Package.	--	A <sup>1</sup>	A <sup>1</sup>	A <sup>1</sup>	S	S	S	S
		Daytime Running Lamps, LED	S	S	S	S	S	S	S	S
		Fueling system, capless	S	S	S	S	S	S	S	S
	UKC	Lane Change Alert with Side Blind Zone Alert	--	--	--	S	--	--	S	S
		Battery rundown protection	S	S	S	S	S	S	S	S
		Brake, parking, electric	S	S	S	S	S	S	S	S
	JL9	Brakes, 4-wheel antilock, 4-wheel disc	S	S	S	S	--	--	--	--
	J55	Brakes, Brembo 4-piston front, performance, 4-wheel antilock, 4-wheel disc 1 - Included and only available with (Y4Q) Heavy-Duty Cooling and Brake Package, (A1X) 1LE Track Performance Package, (J6F) Red-painted calipers or (J6L) Orange-painted calipers.	--	A <sup>1</sup>	A <sup>1</sup>	A <sup>1</sup>	S	--	--	--
	J6G	Brakes, Brembo 4-piston front and rear, performance, 4-wheel antilock, 4-wheel disc	--	--	--	--	--	S	S	--
	J6H	Brakes, Brembo 6-piston front and 4-piston rear, performance, 4-wheel antilock, 4-wheel disc	--	--	--	--	--	--	--	S
	DG7	Mirrors, outside power-adjustable, body-color	S	S	S	--	S	S	--	--
	DD1	Mirrors, outside heated power-adjustable and driver-side auto-dimming, body-color	--	--	--	S	--	--	S	S
	KC4	Cooling, external engine oil cooler 1 - Included and only available with (Y4Q) Heavy-Duty Cooling and Brake Package or (A1X) 1LE Track Performance Package.	--	A <sup>1</sup>	A <sup>1</sup>	A <sup>1</sup>	S	S	S	S
	UFG	Rear Cross Traffic Alert	--	--	--	S	--	--	S	S

Free Flow RPO Code	Ref. Only RPO Code	Description	1LS Coupe 1AG37	1LT Coupe 1AG37	2LT Coupe 1AH37	3LT Coupe 1AH37	LT1 Coupe 1AJ37	1SS Coupe 1AJ37	2SS Coupe 1AK37	ZL1 Coupe 1AL37
			1LS	1LT	2LT	3LT	1LZ	1SS	2SS	1SE
	UD7	<b>Rear Park Assist</b>	--	--	--	S	--	--	S	S
	V03	<b>Cooling system</b> , extra capacity 1 - Included and only available with (Y4Q) Heavy-Duty Cooling and Brake Package when (MX0) automatic transmission is ordered, or (A1X) 1LE Track Performance Package.	--	A <sup>1</sup>	A <sup>1</sup>	A <sup>1</sup>	--	S	S	S
	V18	<b>Cooler</b> , engine coolant, auxiliary 1 - Included and only available with (A1X) 1LE Track Performance Package when (LGX) 3.6L V6 engine is ordered.	--	A <sup>1</sup>	A <sup>1</sup>	A <sup>1</sup>	--	S	S	S
	D5Z	<b>Spoiler</b> , rear, stanchion	--	--	--	--	--	S	S	--
	D52	<b>Spoiler</b> , rear, sport	--	--	--	--	--	--	--	S
	KNR	<b>Cooler</b> , rear differential 1 - Included and only available with (A1X) 1LE Track Performance Package.	--	A <sup>1</sup>	A <sup>1</sup>	A <sup>1</sup>	--	S	S	S
	KD1	<b>Cooler</b> , transmission oil 1 - Included and only available with (A1X) 1LE Track Performance Package.	--	A <sup>1</sup>	A <sup>1</sup>	A <sup>1</sup>	--	S	S	S
	G80	<b>Differential</b> , limited slip 1 - Deleted when (MX0) automatic transmission is ordered.	S <sup>1</sup>	S <sup>1</sup>	S <sup>1</sup>	S <sup>1</sup>	S	S	S	--
	G96	<b>Differential</b> , electronic limited-slip (eLSD) 1 - Included and only available with (A1Y) SS 1LE Track Performance Package.	--	--	--	--	--	A <sup>1</sup>	A <sup>1</sup>	S
		<b>Driver Mode Selector</b> , up to 4 modes available for various driving conditions - Snow/Ice, Tour, Sport and Track (SS and ZL1 models only)	S	S	S	S	S	S	S	S
	LTG	<b>Engine</b> , 2.0L Turbo, 4-cylinder, SIDI, VVT (275 hp [205 kW] @ 5600 rpm, 295 lb-ft of torque [398.3 N-m] @ 3000-4500 rpm)	S	S	S	S	--	--	--	--
		<b>Tail lamps</b> , dark tint 1 - Included and only available with (WRS) RS Package.	--	A <sup>1</sup>	A <sup>1</sup>	A <sup>1</sup>	A <sup>1</sup>	S	S	S
	LT1	<b>Engine</b> , 6.2L (376 ci) V8 DI, VVT (455 hp [339.3 kW] @ 6000 rpm, 455 lb-ft of torque [614.3 N-m] @ 4400 rpm)	--	--	--	--	S	S	S	--
	KTI	<b>Tire inflation kit</b> 1 - Included and only available with (R0H) 245/50R18, blackwall, all-season tires. 2 - Included and only available with (R0G) 285/30R20 front and 305/30R20 rear, blackwall, summer-only tires.	A <sup>1</sup>	A <sup>1</sup>	A <sup>1</sup>	A <sup>1</sup>	--	A <sup>2</sup>	A <sup>2</sup>	S



Free Flow RPO Code	Ref. Only RPO Code	Description	1LS Coupe 1AG37	1LT Coupe 1AG37	2LT Coupe 1AH37	3LT Coupe 1AH37	LT1 Coupe 1AJ37	1SS Coupe 1AJ37	2SS Coupe 1AK37	ZL1 Coupe 1AL37
			1LS	1LT	2LT	3LT	1LZ	1SS	2SS	1SE
	LT4	<b>Engine</b> , 6.2L supercharged V8 DI, VVT (650 hp [485 kW] @ 6400 rpm, 650 lb-ft torque [881N-m] @ 3600 rpm)	--	--	--	--	--	--	--	S
	R0H	<b>Tires</b> , 245/50R18, blackwall, all-season, includes (KTI) tire inflator kit	S	S	S	S	--	--	--	--
		<b>Engine air filter life monitor</b>	S	S	S	S	--	--	--	--
	R0F	<b>Tires</b> , 245/40ZR20 front and 275/35ZR20 rear, blackwall, summer-only, run-flat 1 - Included and only available with (A1X) 1LE Track Performance Package. Do not use summer only tires in winter conditions, as it would adversely affect vehicle safety, performance and durability. Use only GM-approved tire and wheel combinations. Unapproved combinations may change the vehicle's performance characteristics. For important tire and wheel information, go to <a href="https://my.chevrolet.com/learnAbout/chevrolet/tires">https://my.chevrolet.com/learnAbout/chevrolet/tires</a> or see your dealer. 2 - Do not use summer only tires in winter conditions, as it would adversely affect vehicle safety, performance and durability. Use only GM-approved tire and wheel combinations. Unapproved combinations may change the vehicle's performance characteristics. For important tire and wheel information, go to <a href="https://my.chevrolet.com/learnAbout/chevrolet/tires">https://my.chevrolet.com/learnAbout/chevrolet/tires</a> or see your dealer.	--	A <sup>1</sup>	A <sup>1</sup>	A <sup>1</sup>	--	S <sup>2</sup>	S <sup>2</sup>	--
	N10	<b>Exhaust</b> , dual-outlet stainless-steel, with bright tips	S	S	S	S	S	S	S	--

Free Flow RPO Code	Ref. Only RPO Code	Description	1LS	1LT	2LT	3LT	LT1	1SS	2SS	ZL1	
			Coupe	Coupe	Coupe	Coupe	Coupe	Coupe	Coupe	Coupe	Coupe
			1AG37	1AG37	1AH37	1AH37	1AJ37	1AJ37	1AK37	1AL37	
			1LS	1LT	2LT	3LT	1LZ	1SS	2SS	1SE	
	R0G	<b>Tires</b> , 285/30R20 front and 305/30R20 rear, blackwall, summer-only 1 - Included and only available with (A1Y) SS 1LE Track Performance Package. Includes (KTI) tire inflator kit. Do not use summer only tires in winter conditions, as it would adversely affect vehicle safety, performance and durability. Use only GM-approved tire and wheel combinations. Unapproved combinations may change the vehicle's performance characteristics. For important tire and wheel information, go to <a href="https://my.chevrolet.com/learnAbout/chevrolet-tires">https://my.chevrolet.com/learnAbout/chevrolet-tires</a> or see your dealer. 2 - Do not use summer only tires in winter conditions, as it would adversely affect vehicle safety, performance and durability. Use only GM-approved tire and wheel combinations. Unapproved combinations may change the vehicle's performance characteristics. For important tire and wheel information, go to <a href="https://my.chevrolet.com/learnAbout/chevrolet-tires">https://my.chevrolet.com/learnAbout/chevrolet-tires</a> or see your dealer.	--	--	--	--	--	A <sup>1</sup>	A <sup>1</sup>	S <sup>2</sup>	
	R29	<b>Tires</b> , 245/40R20, blackwall, all-season, run-flat 1 - Included and only available with (RTJ/RTH/RQ9/WR1/SRI/5K9) 20" wheels.	--	A <sup>1</sup>	A <sup>1</sup>	A <sup>1</sup>	S	--	--	--	
	NPP	<b>Exhaust</b> , dual-mode 1 - Requires (LGX) 3.6L V6 engine.	--	A <sup>1</sup>	A <sup>1</sup>	A <sup>1</sup>	A	A	A	S	
	XLC	<b>Launch control</b> , custom 1 - Included and only available with (MX0) automatic transmission.	--	--	--	--	--	A <sup>1</sup>	A <sup>1</sup>	S	
	SGE	<b>Wheels</b> , 18" (45.7 cm) 5-split spoke Silver-painted aluminum	S	--	--	--	--	--	--	--	
	REG	<b>Wheels</b> , 18" (45.7 cm) Silver-painted aluminum	--	S	S	S	--	--	--	--	
	RQA	<b>Wheels</b> , 20" (50.8 cm) Silver-painted aluminum	--	--	--	--	S	--	--	--	
	56S	<b>Wheels</b> , 20" x 8.5" (50.8 cm x 21.6 cm) front and 20" x 9.5" (50.8 cm x 24.1 cm) rear bright 5-spoke Silver-painted aluminum	--	--	--	--	--	S	S	--	
	RTQ	<b>Wheels</b> , 20" x 10" (50.8 cm x 25.4 cm) front and 20" x 11" (50.8 cm x 27.9 cm) rear Dark Graphite premium paint, forged aluminum	--	--	--	--	--	--	--	S	
F55		<b>Magnetic Ride Control</b> 1 - Deleted when (A1Z) ZL1 1LE Extreme Track Performance Package is ordered.	--	--	--	--	--	A	A	S <sup>1</sup>	

Free Flow RPO Code	Ref. Only RPO Code	Description	1LS Coupe 1AG37	1LT Coupe 1AG37	2LT Coupe 1AH37	3LT Coupe 1AH37	LT1 Coupe 1AJ37	1SS Coupe 1AJ37	2SS Coupe 1AK37	ZL1 Coupe 1AL37
			1LS	1LT	2LT	3LT	1LZ	1SS	2SS	1SE
	GW6	Rear axle, 3.27 ratio	S	S	S	S	--	--	--	--
	GT4	Rear axle, 3.73 ratio 1 - Included with (MN6) 6-speed manual transmission.	--	--	--	--	S <sup>1</sup>	S <sup>1</sup>	S <sup>1</sup>	S <sup>1</sup>
		Rear wheel drive	S	S	S	S	S	S	S	S
		Wipers, front variable-speed, intermittent with washers	S	S	S	S	S	S	S	S
		StabiliTrak, stability control system with brake assist, includes traction control	S	S	S	S	S	S	S	S
	NV9	Steering, power, variable ratio, electric	S	S	S	S	S	S	S	S
	FE2	Suspension, Sport	S	S	S	S	--	--	--	--
	FE3	Suspension, Performance 1 - Included and only available with (A1X) 1LE Track Performance Package.	--	A <sup>1</sup>	A <sup>1</sup>	A <sup>1</sup>	S	S	S	--
	FE4	Suspension, Performance 1 - Included and only available with (A1Y) SS 1LE Track Performance Package.	--	--	--	--	--	A <sup>1</sup>	A <sup>1</sup>	S
	MN6	Transmission, 6-speed manual 1 - Includes Active Rev Matching.	S	S	S	S	S <sup>1</sup>	S <sup>1</sup>	S <sup>1</sup>	S <sup>1</sup>

S = Standard Equipment A = Available --(dashes) = Not Available D = ADI Available

■ = Included in Equipment Group □ = Included in Equipment Group but upgradeable

Codes listed in the shaded column titled Ref. Only RPO Code are for internal use only and should not be ordered.

Free Flow RPO Code	Ref. RPO Code	Description	1LT	2LT	3LT	LT1	1SS	2SS	ZL1
			Convertible	Convertible	Convertible	Convertible	Convertible	Convertible	Convertible
			1AG67	1AH67	1AH67	1AJ67	1AJ67	1AK67	1AL67
			1LT	2LT	3LT	1LZ	1SS	2SS	1SE
	AJ9	<b>Airbags</b> , dual-stage frontal, knee, head and thorax side-impact, driver and front passenger, includes Passenger Sensing System <b>1 - Always use seat belts and child restraints. Children are safer when properly secured in a rear seat in the appropriate child restraint. See the Owner's Manual for more information.</b>	S <sup>1</sup>	S <sup>1</sup>	S <sup>1</sup>	S <sup>1</sup>	S <sup>1</sup>	S <sup>1</sup>	S <sup>1</sup>
	C68	<b>Air conditioning</b> , single-zone automatic climate control	S	--	--	S	S	--	--
	CJ2	<b>Air conditioning</b> , dual-zone automatic climate control with individual climate settings for driver and dedicated passenger controls and outside temperature display	--	S	S	--	--	S	S
	IOR	<b>Audio system</b> , Chevrolet Infotainment 3 system, 7" diagonal color touchscreen, AM/FM stereo. Additional features for compatible phones include: Bluetooth audio streaming for 2 active devices, voice command pass-through to phone, Apple CarPlay and Android Auto capable.	S	S	--	S	--	--	--
	IOS	<b>Audio system</b> , Chevrolet Infotainment 3 Plus system, 8" diagonal HD color touchscreen, AM/FM stereo, Bluetooth audio streaming for 2 active devices, Apple CarPlay and Android Auto capable, voice recognition, in-vehicle apps, cloud connected personalization for select infotainment and vehicle settings. Subscription required for enhanced and connected services after trial period. <b>1 - Included and only available with (Y3W) Technology Package.</b>	A <sup>1</sup>	A <sup>1</sup>	S	A <sup>1</sup>	S	S	S

Free Flow RPO Code	Ref. Only RPO Code	Description	1LT	2LT	3LT	LT1	1SS	2SS	ZL1
			Convertible	Convertible	Convertible	Convertible	Convertible	Convertible	Convertible
			1AG67	1AH67	1AH67	1AJ67	1AJ67	1AK67	1AL67
			1LT	2LT	3LT	1LZ	1SS	2SS	1SE
	U2K	<p><b>SiriusXM Radio</b>, enjoy a 12-month All Access trial subscription with over 150 channels including commercial-free music, plus sports, news and entertainment. Plus listening on the SiriusXM app, online and at home on compatible connected devices is included, so you'll hear the best SiriusXM has to offer, anywhere life takes you. Welcome to the world of SiriusXM.</p> <p><b>1 - IMPORTANT: The SiriusXM radio trial package is not provided on vehicles that are ordered for Fleet Daily Rental ("FDR") use. If you decide to continue service after your trial, the subscription plan you choose will automatically renew thereafter and you will be charged according to your chosen payment method at then-current rates. Fees and taxes apply. See the SiriusXM Customer Agreement at <a href="http://www.siriusxm.com">www.siriusxm.com</a> for complete terms and how to cancel. All fees, content, features, and availability are subject to change.</b></p>	S <sup>1</sup>	S <sup>1</sup>	--	S <sup>1</sup>	--	--	--

Free Flow RPO Code	Ref. Only RPO Code	Description	1LT	2LT	3LT	LT1	1SS	2SS	ZL1
			Convertible 1AG67	Convertible 1AH67	Convertible 1AH67	Convertible 1AJ67	Convertible 1AJ67	Convertible 1AK67	Convertible 1AL67
			1LT	2LT	3LT	1LZ	1SS	2SS	1SE
		<p><b>SiriusXM with 360L</b>, Equipped with SiriusXM with 360L. Enjoy a 12-month trial subscription of the All Access package for the full 360L experience, with a greater variety of SiriusXM content, a more personalized experience and easier navigation. With the All Access package, you can also enjoy your favorites everywhere you go, with the SiriusXM app, online and at home on compatible connected devices.</p> <p>1 - Included and only available with (IOS) Chevrolet Infotainment 3 Plus system.  <b>IMPORTANT: The SiriusXM radio trial package is not provided on vehicles that are ordered for Fleet Daily Rental ("FDR") use. If you decide to continue service after your trial, the subscription plan you choose will automatically renew thereafter and you will be charged according to your chosen payment method at then-current rates. Fees and taxes apply. See the SiriusXM Customer Agreement at www.siriusxm.com for complete terms and how to cancel. All fees, content, features, and availability are subject to change. GM connected vehicle services vary by vehicle model and require active service plan, working electrical system, cell reception and GPS signal. See onstar.com for details and limitations.</b></p> <p>2 - <b>IMPORTANT: The SiriusXM radio trial package is not provided on vehicles that are ordered for Fleet Daily Rental ("FDR") use. If you decide to continue service after your trial, the subscription plan you choose will automatically renew thereafter and you will be charged according to your chosen payment method at then-current rates. Fees and taxes apply. See the SiriusXM Customer Agreement at www.siriusxm.com for complete terms and how to cancel. All fees, content, features, and availability are subject to change. GM connected vehicle services vary by vehicle model and require active service plan, working electrical system, cell reception and GPS signal. See onstar.com for details and limitations.</b></p>	A <sup>1</sup>	A <sup>1</sup>	S <sup>2</sup>	A <sup>1</sup>	S <sup>2</sup>	S <sup>2</sup>	S <sup>2</sup>
	UQ3	<b>Audio system feature</b> , 6-speaker system	S	S	--	S	S	--	--
	UQA	<b>Audio system feature</b> , Bose premium 7-speaker system 1 - Included and only available with (Y3W) Technology Package.	A <sup>1</sup>	A <sup>1</sup>	S	A <sup>1</sup>	--	S	S
	UPG	<b>Bluetooth for phone</b>	S	S	S	S	S	S	S
		<b>Compass display</b>	S	S	S	S	S	S	S
		<b>Cruise control</b> , electronic with set and resume speed, steering wheel mounted	S	S	S	S	S	S	S

Free Flow RPO Code	Ref. Only RPO Code	Description	1LT	2LT	3LT	LT1	1SS	2SS	ZL1
			Convertible	Convertible	Convertible	Convertible	Convertible	Convertible	Convertible
			1AG67	1AH67	1AH67	1AJ67	1AJ67	1AK67	1AL67
			1LT	2LT	3LT	1LZ	1SS	2SS	1SE
		<b>Cup holders</b> , 2 front	S	S	S	S	S	S	S
		<b>Dead pedal</b> , driver	S	S	S	S	S	S	S
		<b>Defogger</b> , rear-window, electric	S	S	S	S	S	S	S
		<b>Door locks</b> , power programmable with lockout protection	S	S	S	S	S	S	S
	UDD	<b>Driver Information Center</b> , color display	S	S	--	S	--	--	--
	UHS	<b>Driver Information Center</b> , enhanced, 8" diagonal multi-color re-configurable display	--	--	S	--	S	S	S
	B34	<b>Floor mats</b> , carpeted front	S	S	S	S	S	S	S
		<b>Glovebox</b> , lockable	S	S	S	S	S	S	S
	UV6	<b>Head-Up Display</b> , with color digital readouts for vehicle speed, selected gear, G-Force, audio system information, high-beam indicator, compass, outside air temperature, tachometer, vehicle messages, Turn-by-Turn information and phone information	--	--	S	--	--	S	S
		<b>Interior trim</b> , aluminum accents on door trim and shifter cap	--	--	S	--	--	S	S
	ATH	<b>Keyless Open and Start</b> , includes 2 remote transmitters that enable automatic door unlock and open by touching door switch	S	S	S	S	S	S	S
		<b>LATCH system</b> (Lower Anchors and Tethers for CHildren), for child restraint seats	S	S	S	S	S	S	S
		<b>Lighting</b> , front reading lamps	S	S	S	S	S	S	S
	C70	<b>Lighting</b> , interior spectrum, 24 different color selections	--	--	S	--	--	S	S
	A45	<b>Memory Package</b> , recalls 2 driver "presets" for 8-way power driver seat and outside mirrors	--	--	S	--	--	S	S
	D31	<b>Mirror</b> , inside rearview manual day/night, frameless	S	S	--	S	S	--	--
	DRZ	<b>Rear Camera Mirror</b>	--	--	S	--	--	S	S
	UE1	<b>OnStar and Chevrolet connected services capable</b> 1 - Terms and limitations apply. See onstar.com or dealer for details.	S <sup>1</sup>	S <sup>1</sup>	S <sup>1</sup>	S <sup>1</sup>	S <sup>1</sup>	S <sup>1</sup>	S <sup>1</sup>
	VV4	<b>4G LTE Wi-Fi Hotspot capable</b> 1 - Terms and limitations apply. See onstar.com or dealer for details.	S <sup>1</sup>	S <sup>1</sup>	S <sup>1</sup>	S <sup>1</sup>	S <sup>1</sup>	S <sup>1</sup>	S <sup>1</sup>

Free Flow RPO Code	Ref. Only RPO Code	Description	1LT	2LT	3LT	LT1	1SS	2SS	ZL1
			Convertible	Convertible	Convertible	Convertible	Convertible	Convertible	Convertible
			1AG67	1AH67	1AH67	1AJ67	1AJ67	1AK67	1AL67
			1LT	2LT	3LT	1LZ	1SS	2SS	1SE
		<b>Chevrolet Connected Access capable</b> 1 - Subject to terms. See onstar.com or dealer for details.	S <sup>1</sup>	S <sup>1</sup>	S <sup>1</sup>	S <sup>1</sup>	S <sup>1</sup>	S <sup>1</sup>	S <sup>1</sup>
JF5		<b>Pedals</b> , sport alloy	A	A	A	A	A	A	S
	UVB	<b>HD Rear Vision Camera</b> 1 - Rear Vision Camera display is not HD with IOR audio system.	S <sup>1</sup>	S <sup>1</sup>	S	S <sup>1</sup>	S	S	S
		<b>Seat belts</b> , 3-point, all positions, includes front seat driver and front passenger seat belt pretensioners	S	S	S	S	S	S	S
	A50	<b>Seats</b> , front Sport bucket	S	S	S	S	S	S	--
AQJ		<b>Seats</b> , front bucket, RECARO performance 1 - Requires (H1T/H0Y) Jet Black interior trim.	A <sup>1</sup>	A <sup>1</sup>	A <sup>1</sup>	A <sup>1</sup>	A <sup>1</sup>	A <sup>1</sup>	S
	A62	<b>Seat</b> , rear fixed	S	S	S	S	S	S	S
	KA1	<b>Seats</b> , heated driver and front passenger	--	S	S	--	--	S	S
	KQV	<b>Seats</b> , ventilated driver and front passenger	--	S	S	--	--	S	S
	AV3	<b>Seat adjuster</b> , driver, 8-way power	S	S	S	S	S	S	S
	AKQ	<b>Seat adjuster</b> , front passenger, 6-way power	S	S	S	S	S	S	S
	VY7	<b>Shift knob</b> , leather-wrapped	S	S	S	S	S	S	--
	KS9	<b>Shift knob</b> , sueded microfiber-wrapped 1 - Included and only available with (N26) sueded microfiber-wrapped steering wheel.	A <sup>1</sup>	A <sup>1</sup>	A <sup>1</sup>	A <sup>1</sup>	A <sup>1</sup>	A <sup>1</sup>	S
	B7G	<b>Sill plates</b> , illuminated	--	--	S	--	--	S	S
	UMN	<b>Speedometer</b> , miles/kilometers	S	S	S	S	S	S	S
		<b>Steering column</b> , manual rake and telescopic	S	S	S	S	S	S	S
	NP5	<b>Steering wheel</b> , leather-wrapped, flat-bottom	S	S	S	S	S	S	--
N26		<b>Steering wheel</b> , 3-spoke, sueded microfiber-wrapped, flat-bottom 1 - Requires (MX0) automatic transmission.	A	A	A	A <sup>1</sup>	A	A	S
	UVD	<b>Steering wheel</b> , heated	--	--	S	--	--	S	S



Free Flow RPO Code	Ref. Only RPO Code	Description	1LT	2LT	3LT	LT1	1SS	2SS	ZL1
			Convertible 1AG67	Convertible 1AH67	Convertible 1AH67	Convertible 1AJ67	Convertible 1AJ67	Convertible 1AK67	Convertible 1AL67
			1LT	2LT	3LT	1LZ	1SS	2SS	1SE
	TDM	<b>Teen Driver</b> , a configurable feature that lets you activate customizable vehicle settings associated with a key fob, to help encourage safe driving behavior. It can limit certain available vehicle features, and it prevents certain safety systems from being turned off. An in-vehicle report card gives you information on driving habits and helps you to continue to coach your new driver	S	S	S	S	S	S	S
		<b>Theft-deterrent system</b> , electrical, unauthorized entry	S	S	S	S	S	S	S
		<b>Tire Fill Alert</b>	S	S	S	S	S	S	S
		<b>Tire Pressure Monitor System</b>	S	S	S	S	S	S	S
		<b>Trunk emergency release handle</b>	S	S	S	S	S	S	S
		<b>Trunk release</b> , power	S	S	S	S	S	S	S
		<b>Visors</b> , driver and front passenger vanity mirrors	S	S	S	S	S	S	S
		<b>Windows</b> , power with driver and passenger Express-Down/Up	S	S	S	S	S	S	S
	K4C	<b>Wireless Charging</b> for devices	--	--	S	--	--	S	S
	PPW	<b>NEW! Wireless Apple CarPlay/Wireless Android Auto</b>	S	S	S	S	S	S	S
	UB3	<b>Antenna</b> , AM/FM, located in rear spoiler	S	S	S	S	S	S	S
		<b>Antenna</b> , OnStar and SiriusXM Radio, fin-type 1 - <b>Body-color.</b>	S <sup>1</sup>	S <sup>1</sup>	S <sup>1</sup>	S <sup>1</sup>	S <sup>1</sup>	S <sup>1</sup>	S <sup>1</sup>
		<b>Bowties</b> , Black, front and rear 1 - <b>Included and only available with (WRS) RS Package.</b>	A <sup>1</sup>	A <sup>1</sup>	A <sup>1</sup>	S	S	S	S
	CM8	<b>Convertible top</b> , power-folding, remote control (down only), includes glass rear window with integral defogger	S	S	S	S	S	S	S
		<b>Daytime Running Lamps</b> , LED	S	S	S	S	S	S	S
		<b>Fueling system</b> , capless	S	S	S	S	S	S	S
	UKC	<b>Lane Change Alert</b> with Side Blind Zone Alert	--	--	S	--	--	S	S
		<b>Battery rundown protection</b>	S	S	S	S	S	S	S
		<b>Brake</b> , parking, electric	S	S	S	S	S	S	S
	JL9	<b>Brakes</b> , 4-wheel antilock, 4-wheel disc	S	S	S	--	--	--	--

Free Flow RPO Code	Ref. Only RPO Code	Description	1LT	2LT	3LT	LT1	1SS	2SS	ZL1
			Convertible	Convertible	Convertible	Convertible	Convertible	Convertible	Convertible
			1AG67	1AH67	1AH67	1AJ67	1AJ67	1AK67	1AL67
			1LT	2LT	3LT	1LZ	1SS	2SS	1SE
	J55	<b>Brakes</b> , Brembo 4-piston front, performance, 4-wheel antilock, 4-wheel disc 1 - Included and only available with (J6F) Red-painted calipers or (J6L) Orange-painted calipers.	A <sup>1</sup>	A <sup>1</sup>	A <sup>1</sup>	S	--	--	--
	J6G	<b>Brakes</b> , Brembo 4-piston front and rear, performance, 4-wheel antilock, 4-wheel disc	--	--	--	--	S	S	--
	J6H	<b>Brakes</b> , Brembo 6-piston front and 4-piston rear, performance, 4-wheel antilock, 4-wheel disc	--	--	--	--	--	--	S
	DG7	<b>Mirrors</b> , outside power-adjustable, body-color	S	S	--	S	S	--	--
	DD1	<b>Mirrors</b> , outside heated power-adjustable and driver-side auto-dimming, body-color	--	--	S	--	--	S	S
	UFG	<b>Rear Cross Traffic Alert</b>	--	--	S	--	--	S	S
	KC4	<b>Cooling</b> , external engine oil cooler	--	--	--	S	S	S	S
	UD7	<b>Rear Park Assist</b>	--	--	S	--	--	S	S
	V03	<b>Cooling system</b> , extra capacity	--	--	--	--	S	S	S
	V18	<b>Cooler</b> , engine coolant, auxiliary	--	--	--	--	--	--	S
	D5Z	<b>Spoiler</b> , rear, stanchion	S	S	S	S	S	S	S
	KNR	<b>Cooler</b> , rear differential	--	--	--	--	--	--	S
	KD1	<b>Cooler</b> , transmission oil 1 - Included and only available with (MX0) automatic transmission.	--	--	--	--	A <sup>1</sup>	A <sup>1</sup>	S
	G80	<b>Differential</b> , limited slip 1 - Deleted when (MX0) automatic transmission is ordered.	S <sup>1</sup>	S <sup>1</sup>	S <sup>1</sup>	S	S	S	S
		<b>Driver Mode Selector</b> , up to 4 modes available for various driving conditions - Snow/Ice, Tour, Sport and Track (SS and ZL1 models only)	S	S	S	S	S	S	S
	LTG	<b>Engine</b> , 2.0L Turbo, 4-cylinder, SIDI, VVT (275 hp [205 kW] @ 5600 rpm, 295 lb-ft of torque [398.3 N-m] @ 3000-4500 rpm)	S	S	S	--	--	--	--
		<b>Tail lamps</b> , dark tint 1 - Included and only available with (WRS) RS Package.	A <sup>1</sup>	A <sup>1</sup>	A <sup>1</sup>	A <sup>1</sup>	S	S	S
	LT1	<b>Engine</b> , 6.2L (376 ci) V8 DI, VVT (455 hp [339.3 kW] @ 6000 rpm, 455 lb-ft of torque [614.3 N-m] @ 4400 rpm)	--	--	--	S	S	S	--

Free Flow RPO Code	Ref. Only RPO Code	Description	1LT	2LT	3LT	LT1	1SS	2SS	ZL1
			Convertible	Convertible	Convertible	Convertible	Convertible	Convertible	Convertible
			1AG67	1AH67	1AH67	1AJ67	1AJ67	1AK67	1AL67
			1LT	2LT	3LT	1LZ	1SS	2SS	1SE
	LT4	<b>Engine</b> , 6.2L supercharged V8 DI, VVT (650 hp [485 kW] @ 6400 rpm, 650 lb-ft torque [881N-m] @ 3600 rpm)	--	--	--	--	--	--	S
	KTI	<b>Tire inflation kit</b> 1 - Included and only available with (R0H) 245/50R18, blackwall, all-season tires.	A <sup>1</sup>	A <sup>1</sup>	A <sup>1</sup>	--	--	--	S
	R0H	<b>Tires</b> , 245/50R18, blackwall, all-season, includes (KTI) tire inflator kit	S	S	S	--	--	--	--
		<b>Engine air filter life monitor</b>	S	S	S	--	--	--	--
	R0F	<b>Tires</b> , 245/40ZR20 front and 275/35ZR20 rear, blackwall, summer-only, run-flat 1 - Do not use summer only tires in winter conditions, as it would adversely affect vehicle safety, performance and durability. Use only GM-approved tire and wheel combinations. Unapproved combinations may change the vehicle's performance characteristics. For important tire and wheel information, go to <a href="https://my.chevrolet.com/learnAbout/chevrolettires">https://my.chevrolet.com/learnAbout/chevrolettires</a> or see your dealer.	--	--	--	--	S <sup>1</sup>	S <sup>1</sup>	--
	R0G	<b>Tires</b> , 285/30R20 front and 305/30R20 rear, blackwall, summer-only 1 - Do not use summer only tires in winter conditions, as it would adversely affect vehicle safety, performance and durability. Use only GM-approved tire and wheel combinations. Unapproved combinations may change the vehicle's performance characteristics. For important tire and wheel information, go to <a href="https://my.chevrolet.com/learnAbout/chevrolettires">https://my.chevrolet.com/learnAbout/chevrolettires</a> or see your dealer.	--	--	--	--	--	--	S <sup>1</sup>
	N10	<b>Exhaust</b> , dual-outlet stainless-steel, with bright tips	S	S	S	S	S	S	--
	R29	<b>Tires</b> , 245/40R20, blackwall, all-season, run-flat 1 - Included and only available with (RTJ/RTH/RQ9/WR1/SRI/5K9) 20" wheels.	A <sup>1</sup>	A <sup>1</sup>	A <sup>1</sup>	S	--	--	--
	NPP	<b>Exhaust</b> , dual-mode 1 - Requires (LGX) 3.6L V6 engine.	A <sup>1</sup>	A <sup>1</sup>	A <sup>1</sup>	A	A	A	S
	XLC	<b>Launch control</b> , custom 1 - Included and only available with (MX0) automatic transmission.	--	--	--	--	A <sup>1</sup>	A <sup>1</sup>	S
	REG	<b>Wheels</b> , 18" (45.7 cm) Silver-painted aluminum	S	S	S	--	--	--	--
	RQA	<b>Wheels</b> , 20" (50.8 cm) Silver-painted aluminum	--	--	--	S	--	--	--

Free Flow RPO Code	Ref. Only RPO Code	Description	1LT	2LT	3LT	LT1	1SS	2SS	ZL1
			Convertible	Convertible	Convertible	Convertible	Convertible	Convertible	Convertible
			1AG67	1AH67	1AH67	1AJ67	1AJ67	1AK67	1AL67
			1LT	2LT	3LT	1LZ	1SS	2SS	1SE
	56S	<b>Wheels</b> , 20" x 8.5" (50.8 cm x 21.6 cm) front and 20" x 9.5" (50.8 cm x 24.1 cm) rear bright 5-spoke Silver-painted aluminum	--	--	--	--	S	S	--
	RTQ	<b>Wheels</b> , 20" x 10" (50.8 cm x 25.4 cm) front and 20" x 11" (50.8 cm x 27.9 cm) rear Dark Graphite premium paint, forged aluminum	--	--	--	--	--	--	S
F55		<b>Magnetic Ride Control</b>	--	--	--	--	A	A	S
	GW6	<b>Rear axle</b> , 3.27 ratio	S	S	S	--	--	--	--
	GT4	<b>Rear axle</b> , 3.73 ratio 1 - Included with (MN6) 6-speed manual transmission.	--	--	--	S <sup>1</sup>	S <sup>1</sup>	S <sup>1</sup>	S <sup>1</sup>
		<b>Wipers</b> , front variable-speed, intermittent with washers	S	S	S	S	S	S	S
		<b>Rear wheel drive</b>	S	S	S	S	S	S	S
		<b>StabiliTrak</b> , stability control system with brake assist, includes traction control	S	S	S	S	S	S	S
	NV9	<b>Steering</b> , power, variable ratio, electric	S	S	S	S	S	S	S
	FE2	<b>Suspension</b> , Sport	S	S	S	--	--	--	--
	FE3	<b>Suspension</b> , Performance	--	--	--	S	S	S	--
	FE4	<b>Suspension</b> , Performance	--	--	--	--	--	--	S
	MN6	<b>Transmission</b> , 6-speed manual 1 - Includes Active Rev Matching.	S	S	S	S <sup>1</sup>	S <sup>1</sup>	S <sup>1</sup>	S <sup>1</sup>

S = Standard Equipment A = Available --(dashes) = Not Available D = ADI Available

■ = Included in Equipment Group □ = Included in Equipment Group but upgradeable

No deletions allowed to Equipment Groups. Additional options may be added; check ordering information section for compatibility

Codes listed in the shaded column titled Ref. Only RPO Code are for internal use only and should not be ordered.

Free Flow RPO Code	Ref. Only RPO Code	Description	1LS Coupe 1AG37	1LT Coupe 1AG37	2LT Coupe 1AH37	3LT Coupe 1AH37	LT1 Coupe 1AJ37	1SS Coupe 1AJ37	2SS Coupe 1AK37	ZL1 Coupe 1AL37
			1LS	1LT	2LT	3LT	1LZ	1SS	2SS	1SE
		Standard Equipment	■	■	■	■	■	■	■	■

ADDITIONAL OPTIONS										
Free Flow RPO Code	Ref. Only RPO Code	Description	1LS Coupe 1AG37	1LT Coupe 1AG37	2LT Coupe 1AH37	3LT Coupe 1AH37	LT1 Coupe 1AJ37	1SS Coupe 1AJ37	2SS Coupe 1AK37	ZL1 Coupe 1AL37
			1LS	1LT	2LT	3LT	1LZ	1SS	2SS	1SE
Y3W		<b>Technology Package</b> , includes (IOS) Chevrolet Infotainment 3 Plus system, 8" diagonal HD color touchscreen and (UQA) Bose premium speaker system	--	A	A	--	A	--	--	--
IOT		<b>Audio system</b> , Chevrolet Infotainment 3 Premium system with connected Navigation, 8" diagonal HD color touchscreen, AM/FM stereo, Bluetooth audio streaming for 2 active devices, Apple CarPlay and Android Auto capable, enhanced voice recognition, additional memory for in-vehicle apps, cloud connected personalization for select infotainment and vehicle settings. Subscription required for enhanced and connected services after trial period.	--	--	--	A	--	--	A	A
BRJ		<b>Adrenaline Red Interior Package</b> , includes Black interior with Adrenaline Red front seat inserts, door inserts and stitching on front seats, doors, steering wheel, shifter and center console <b>1 - Not available with exterior color (G16) Crush, (GKK) Riverside Blue Metallic or (GKO) Shock.</b>	--	--	A <sup>1</sup>	A <sup>1</sup>	--	--	A <sup>1</sup>	--
BRD		<b>Ceramic White Interior Package</b> , includes Black interior with Ceramic White front seat inserts, door inserts and stitching on front seats, doors, steering wheel, shifter and center console	--	--	A	A	--	--	A	--
3DL		<b>Interior trim</b> , carbon fiber instrument panel molding	--	--	--	--	--	--	--	A
2F5		<b>Knee pads, Red</b> <b>1 - Not available with (H01) Kalahari interior.</b>	--	A	A <sup>1</sup>	A <sup>1</sup>	A	A	A <sup>1</sup>	A
5V6		<b>LPO, Black Interior Appearance Package</b> , includes (WGT) Black Interior Trim Kit, door accent trim, LPO and (S0U) Black sueded knee pads, LPO	A/D	A/D	A/D	--	A/D	A/D	--	--
PCX		<b>LPO, Camaro Logo Package</b> , includes (SH1) Embroidered center console lid with Camaro badge, LPO, (VYW) premium carpeted floor mats with Camaro logo, LPO and (RIN) Camaro logo fender badge, LPO <b>1 - Not available with CG3, PCN, SFZ, SH2, VTF.</b> <b>2 - Not available with CG3, PCN, SFZ, SH2, VTF.</b> <b>3 - Not available with BRJ, CG3, H01, PCN, SFZ, SH2, VTF.</b>	A/D <sup>1</sup>	A/D <sup>2</sup>	A/D <sup>3</sup>	A/D <sup>3</sup>	--	A/D <sup>2</sup>	A/D <sup>3</sup>	--

ADDITIONAL OPTIONS										
Free Flow RPO Code	Ref. Only RPO Code	Description	1LS Coupe 1AG37	1LT Coupe 1AG37	2LT Coupe 1AH37	3LT Coupe 1AH37	LT1 Coupe 1AJ37	1SS Coupe 1AJ37	2SS Coupe 1AK37	ZL1 Coupe 1AL37
			1LS	1LT	2LT	3LT	1LZ	1SS	2SS	1SE
PCN		<b>LPO, Winter/Summer Floor Mats Package</b> , includes (VYW) Premium carpeted floor mats, LPO and (VAV) All-weather floor mats, LPO 1 - Not available with PCX, VQG. 2 - Not available with H01, PCX, VQG. 3 - Not available with (VQG) Weather Protection Package, LPO.	A/D <sup>1</sup>	A/D <sup>1</sup>	A/D <sup>2</sup>	A/D <sup>2</sup>	A/D <sup>3</sup>	A/D <sup>1</sup>	A/D <sup>2</sup>	--
VQG		<b>LPO, Weather Protection Package</b> , includes (VAV) All-weather floor mats, LPO, (VLI) All-weather cargo mat and (VRV) Body-color painted splash guards, LPO 1 - Not available with (5VM/VTD) Ground Effects Package, LPOs or exterior color (G16) Crush.	A/D <sup>1</sup>	A/D <sup>1</sup>	A/D <sup>1</sup>	A/D <sup>1</sup>	A/D <sup>1</sup>	A/D <sup>1</sup>	A/D <sup>1</sup>	--
PDX		<b>LPO, ZL1 Protection Package</b> , includes (W1V) Premium carpeted floor mats with ZL1 logo, LPO and (VGS) Outdoor vehicle cover, Gray with ZL1 logo, LPO	--	--	--	--	--	--	--	A/D
VLI		<b>LPO, All-weather cargo mat</b> with Camaro logo	A/D	A/D	A/D	A/D	A/D	A/D	A/D	A/D
W2D		<b>LPO, Cargo net</b>	A/D	A/D	A/D	A/D	A/D	A/D	A/D	A/D
SH1		<b>LPO, Embroidered center console lid</b> with Camaro badge 1 - Not available with (H01) Kalahari interior or (BRJ) Adrenaline Red Interior Accent Trim Package.	A/D	A/D	A/D <sup>1</sup>	A/D <sup>1</sup>	A/D	A/D	A/D <sup>1</sup>	--
VTF		<b>LPO, Embroidered center console lid</b> with RS or SS logo 1 - Requires (WRS) RS Package. 2 - Requires (WRS) RS Package. Not available with (H01) Kalahari interior or (BRJ) Adrenaline Red Interior Accent Trim Package. 3 - Not available with (H01) Kalahari interior or (BRJ) Adrenaline Red Interior Accent Trim Package.	--	A/D <sup>1</sup>	A/D <sup>2</sup>	A/D <sup>2</sup>	--	A/D	A/D <sup>3</sup>	--
SH2		<b>LPO, Embroidered center console lid</b> , Chevrolet Performance logo 1 - Not available with (SH1) Embroidered center console lid with Camaro badge, LPO. 2 - Not available with SH1, VTF. 3 - Not available with H01, SH1, VTF.	A/D <sup>1</sup>	A/D <sup>2</sup>	A/D <sup>3</sup>	A/D <sup>3</sup>	A/D <sup>1</sup>	A/D <sup>2</sup>	A/D <sup>3</sup>	A/D

ADDITIONAL OPTIONS										
Free Flow RPO Code	Ref. Only RPO Code	Description	1LS Coupe 1AG37	1LT Coupe 1AG37	2LT Coupe 1AH37	3LT Coupe 1AH37	LT1 Coupe 1AJ37	1SS Coupe 1AJ37	2SS Coupe 1AK37	ZL1 Coupe 1AL37
			1LS	1LT	2LT	3LT	1LZ	1SS	2SS	1SE
VYW		<b>LPO, Floor mats</b> , premium carpeted with Camaro logo 1 - Not available with (H01) Kalahari interior.	A/D	A/D	A/D <sup>1</sup>	A/D <sup>1</sup>	A/D	A/D	A/D <sup>1</sup>	--
W1V		<b>LPO, Floor mats</b> , premium carpeted with ZL1 logo	--	--	--	--	--	--	--	A/D
VAV		<b>LPO, All-weather floor mats</b>	A/D	A/D	A/D	A/D	A/D	A/D	A/D	A/D
S0O		<b>LPO, Illuminated footwells</b>	--	--	--	A/D	--	--	A/D	--
WGT		<b>LPO, Black Interior Trim Kit</b> , door accent trim	A/D	A/D	A/D	--	A/D	A/D	--	--
WGK		<b>LPO, Red Interior Trim Kit</b> , door accent trim 1 - Not available with (H01) Kalahari interior or (BRJ) Adrenaline Red Interior Accent Trim Package.	A/D	A/D	A/D <sup>1</sup>	--	A/D	A/D	--	--
VTG		<b>LPO, White Interior Trim Kit</b> , door accent trim 1 - Not available with (H01) Kalahari interior.	A/D	A/D	A/D <sup>1</sup>	--	A/D	A/D	--	--
S0U		<b>LPO, Black sueded knee pads</b>	A/D	A/D	A/D	A/D	A/D	A/D	A/D	--
WGL		<b>LPO, Kalahari knee pads</b> 1 - Not available with (H72/H17) Medium Ash Gray interior. 2 - Not available with (BRJ/BRD) Interior Accent Trim Packages or (H17) Medium Ash Gray interior.	A/D <sup>1</sup>	A/D <sup>1</sup>	A/D <sup>2</sup>	A/D <sup>2</sup>	A/D <sup>1</sup>	A/D <sup>1</sup>	A/D <sup>2</sup>	--
WHA		<b>LPO, Red knee pads</b> 1 - Not available with (2F5) Red knee pads. 2 - Not available with (2F5) Red knee pads, (BRD) Ceramic White Interior Accent Trim Package or (H01) Kalahari leather interior trim.	A/D	A/D <sup>1</sup>	A/D <sup>2</sup>	A/D <sup>2</sup>	A/D <sup>1</sup>	A/D <sup>1</sup>	A/D <sup>2</sup>	--
S0V		<b>LPO, White knee pads</b> 1 - Not available with (BRJ) Adrenaline Red Interior Accent Trim Package or (H01) Kalahari interior.	A/D	A/D	A/D <sup>1</sup>	A/D <sup>1</sup>	A/D	A/D	A/D <sup>1</sup>	--
5KP		<b>LPO, Illuminated sill plates</b>	A/D	A/D	A/D	--	A/D	A/D	--	--
VEB		<b>LPO, Sport pedals kit</b> 1 - Not available with (JF5) sport alloy pedals.	A/D	A/D <sup>1</sup>	A/D <sup>1</sup>	A/D <sup>1</sup>	A/D <sup>1</sup>	A/D <sup>1</sup>	A/D <sup>1</sup>	--
5YN		<b>LPO, Carbon Fiber-look shift knob (auto) or Carbon Fiber-look shift knob medallion (manual)</b>	A/D	A/D	A/D	A/D	A/D	A/D	A/D	A/D



ADDITIONAL OPTIONS										
Free Flow RPO Code	Ref. Only RPO Code	Description	1LS Coupe 1AG37	1LT Coupe 1AG37	2LT Coupe 1AH37	3LT Coupe 1AH37	LT1 Coupe 1AJ37	1SS Coupe 1AJ37	2SS Coupe 1AK37	ZL1 Coupe 1AL37
			1LS	1LT	2LT	3LT	1LZ	1SS	2SS	1SE
SA7		<b>LPO, Suede shift knob and boot kit</b> 1 - Not available with (MX0) automatic transmission. 2 - Not available with (KS9) sueded microfiber-wrapped shift knob or (MX0) automatic transmission.	A/D <sup>1</sup>	A/D <sup>2</sup>	A/D <sup>2</sup>	A/D <sup>2</sup>	--	--	--	--
JF5		<b>Pedals</b> , sport alloy	--	A	A	A	A	A	A	S
UQT		<b>Performance data and video recorder</b> 1 - Requires (A1X/A1Y) 1LE Track Performance Package. Deletes (UEU) Forward Collision Alert. 2 - Deletes (UEU) Forward Collision Alert.	--	--	--	A <sup>1</sup>	--	A <sup>1</sup>	A <sup>1</sup>	A <sup>2</sup>
3F9		<b>Seat belt color</b> , Red	A	A	A	A	A	A	A	A
AQJ		<b>Seats</b> , front bucket, RECARO performance 1 - Requires (H1T/H0Y) Jet Black interior trim.	--	A <sup>1</sup>	A <sup>1</sup>	A <sup>1</sup>	A <sup>1</sup>	A <sup>1</sup>	A <sup>1</sup>	S
N26		<b>Steering wheel</b> , 3-spoke, sueded microfiber-wrapped, flat-bottom 1 - Requires (MX0) automatic transmission.	--	A	A	A	A <sup>1</sup>	A	A	S
CF5		<b>Sunroof</b> , power	--	A	A	A	A	A	A	A
WBL		<b>Redline Edition</b> , includes (SRI/58E) 20" Black-painted aluminum wheels with Red accents, (CG6) Black Camaro fender badge with Red outline, (VUP) Redline Edition graphics, LPO, (3F9) Red seat belt color, (2F5) Red knee pads and (VYW) Premium carpeted floor mats, LPO 1 - Requires (WRS) RS Package, (H1T/H0Y) Jet Black interior and exterior color (G9K) Satin Steel Metallic, (GAZ) Summit White or (GBA) Black. Not available with P3H, RO1, RO2, RZB. 2 - Requires (H1T/H0Y) Jet Black interior and exterior color (G9K) Satin Steel Metallic, (GAZ) Summit White or (GBA) Black.	--	A <sup>1</sup>	A <sup>1</sup>	A <sup>1</sup>	A <sup>1</sup>	A <sup>2</sup>	A <sup>2</sup>	--
WRS		<b>RS Package</b> , includes dark tint LED tail lamps, RS-specific grilles, Black front and rear bowties, and (D80) decklid-mounted lip spoiler 1 - Also includes (RQ9) 20" 5-split spoke premium Gray-painted, machined-face aluminum wheels. Wheels are upgradeable to RTJ/RTH/WR1/5K9, or upgraded to package specific wheels.	--	A <sup>1</sup>	A <sup>1</sup>	A <sup>1</sup>	A	--	--	--

ADDITIONAL OPTIONS										
Free Flow RPO Code	Ref. Only RPO Code	Description	1LS Coupe 1AG37	1LT Coupe 1AG37	2LT Coupe 1AH37	3LT Coupe 1AH37	LT1 Coupe 1AJ37	1SS Coupe 1AJ37	2SS Coupe 1AK37	ZL1 Coupe 1AL37
			1LS	1LT	2LT	3LT	1LZ	1SS	2SS	1SE
A9B		<b>Satin Black Appearance Package</b> , includes Satin Black outside mirrors and rear spoiler 1 - Spoiler RPO is D80. 2 - Spoiler RPO is D5Z.	A <sup>1</sup>	A <sup>1</sup>	A <sup>1</sup>	A <sup>1</sup>	A <sup>1</sup>	A <sup>2</sup>	A <sup>2</sup>	--
PDL		<b>NEW! Wild Cherry Design Package 1</b> , includes (RY2) Black Metallic Hash Mark Stripes, LPO (5ZB) Camaro logo wheel center caps, LPO, (WR1/57W) 20" 5-split spoke polished forged wheels and (VYW) premium carpeted floor mats with Camaro logo, LPO 1 - Also includes (CG3) Camaro fender badge emblem. Requires exterior color (GSK) Wild Cherry Tintcoat and (WRS) RS Package. Wheel RPO is WR1. 2 - Requires exterior color (GSK) Wild Cherry Tintcoat and (WRS) RS Package. Wheel RPO is WR1. 3 - Also includes (CG3) Camaro fender badge emblem. Requires exterior color (GSK) Wild Cherry Tintcoat. Wheel RPO is 57W.	--	A <sup>1</sup>	A <sup>1</sup>	A <sup>1</sup>	A <sup>2</sup>	A <sup>3</sup>	A <sup>3</sup>	--
PDN		<b>NEW! Wild Cherry Design Package 2</b> , includes (PDL) Wild Cherry Design Package 1, (S0U) Black sueded knee pads, LPO, (VQL) Fuel filler door in Black with visible carbon fiber insert, LPO, (VTD) Carbon Flash Metallic, second generation Ground Effects, LPO and (DUU/DUV/DW8) Center Stripe 1 - Requires exterior color (GSK) Wild Cherry Tintcoat and the selection of either (DUU) Black Center Stripe or (DUV) Silver Center Stripe. 2 - Requires exterior color (GSK) Wild Cherry Tintcoat and the selection of either (DW8) Black Metallic Center Stripe or (DUV) Silver Center Stripe.	--	--	A <sup>1</sup>	A <sup>1</sup>	--	--	A <sup>2</sup>	--
P3H		<b>Bowties</b> , Black, front and rear 1 - Not available with (WRS) RS Package.	A	A <sup>1</sup>	A <sup>1</sup>	A <sup>1</sup>	--	--	--	--
CG3		<b>Emblem</b> , Camaro fender badge 1 - Not available with (WBL) Redline Edition.	A	A <sup>1</sup>	A <sup>1</sup>	A <sup>1</sup>	--	A <sup>1</sup>	A <sup>1</sup>	--
D88		<b>1LE Hash Mark Decal</b> 1 - Requires (A1X/A1Y) 1LE Track Performance Package.	--	A <sup>1</sup>	A <sup>1</sup>	A <sup>1</sup>	--	A <sup>1</sup>	A <sup>1</sup>	--
CFW		<b>Hood insert</b> , visible Carbon Fiber weave	--	--	--	--	--	--	--	A

ADDITIONAL OPTIONS										
Free Flow RPO Code	Ref. Only RPO Code	Description	1LS Coupe 1AG37	1LT Coupe 1AG37	2LT Coupe 1AH37	3LT Coupe 1AH37	LT1 Coupe 1AJ37	1SS Coupe 1AJ37	2SS Coupe 1AK37	ZL1 Coupe 1AL37
			1LS	1LT	2LT	3LT	1LZ	1SS	2SS	1SE
VK3		License plate bracket, front 1 - Will be forced on orders with ship-to states that require a front license plate.	A <sup>1</sup>	A <sup>1</sup>	A <sup>1</sup>	A <sup>1</sup>	A <sup>1</sup>	A <sup>1</sup>	A <sup>1</sup>	A <sup>1</sup>
PCR		<b>NEW! LPO, Satin Black Front Splitter/Side Rockers Package</b> , includes (ST1) Satin Black rocker moldings, LPO and (SL2) Satin Black, second generation front fascia extension, LPO 1 - Requires 5V5, 5ZU, 5ZV, 5ZW, 5ZZ, SB2 or D80. Not available with 5VM, RMH, RZ3 or VTD. 2 - Not available with 5VM, RMH, RZ3 or VTD.	A/D <sup>1</sup>	A/D <sup>1</sup>	A/D <sup>1</sup>	A/D <sup>1</sup>	A/D <sup>1</sup>	A/D <sup>2</sup>	A/D <sup>2</sup>	--
PCK		<b>NEW! LPO, Black Accent Exterior Package</b> , includes (PCR) Satin Black Front Splitter/Side Rockers Package, LPO and (5JX/57S) 20" 5-split spoke Satin Black wheels, LPO 1 - Requires (WRS) RS Package. Not available with SFE, 5VM, RMH, RZ3 or VTD. 2 - Not available with SFE, 5VM, RMH, RZ3 or VTD.	--	A/D <sup>1</sup>	A/D <sup>1</sup>	A/D <sup>1</sup>	A/D <sup>1</sup>	A/D <sup>2</sup>	A/D <sup>2</sup>	--
PCY		<b>NEW! LPO, Red Accent Exterior Package</b> , includes (SHU) Satin Black Hood Stripe with Red Hot Hash Mark, LPO and (RZB) Black lower grille with Red Hot inserts 1 - Not available with RO1, RO2 or exterior colors (G16) Crush, (GKK) Riverside Blue Metallic, (GKO) Shock or (GSK) Wild Cherry Tintcoat. 2 - Not available with WBL, RO1, RO2 or exterior colors (G16) Crush, (GKK) Riverside Blue Metallic, (GKO) Shock or (GSK) Wild Cherry Tintcoat.	A/D <sup>1</sup>	A/D <sup>2</sup>	A/D <sup>2</sup>	A/D <sup>2</sup>	--	--	--	--
PDY		<b>LPO, Body-Color Spoiler with Wicker Package</b> , includes (5ZU) Body-color blade spoiler, LPO and (SIA) Wicker bill, LPO 1 - Requires exterior color (G7C) Red Hot, (GAZ) Summit White, (GBA) Black or (GKK) Riverside Blue Metallic. Not available with any RPO stripe option. 2 - Requires exterior color (G7C) Red Hot, (GAZ) Summit White, (GBA) Black or (GKK) Riverside Blue Metallic. Not available with any RPO stripe option or (D88) 1LE Hash Mark Decal.	A/D <sup>1</sup>	A/D <sup>2</sup>	A/D <sup>2</sup>	A/D <sup>2</sup>	A/D <sup>1</sup>	A/D <sup>2</sup>	A/D <sup>2</sup>	--

ADDITIONAL OPTIONS										
Free Flow RPO Code	Ref. Only RPO Code	Description	1LS Coupe 1AG37	1LT Coupe 1AG37	2LT Coupe 1AH37	3LT Coupe 1AH37	LT1 Coupe 1AJ37	1SS Coupe 1AJ37	2SS Coupe 1AK37	ZL1 Coupe 1AL37
			1LS	1LT	2LT	3LT	1LZ	1SS	2SS	1SE
PCJ		<b>LPO, Dark Tint Rear Lighting Package</b> , includes (62O) Clear CHMSL, LPO and (SCY) Dark finish tail lamps, LPO 1 - Not available with (B9M) dark tint tail lamps. 2 - Not available with (WRS) RS Package or (B9M) Dark tint tail lamps.	A/D <sup>1</sup>	A/D <sup>2</sup>	A/D <sup>2</sup>	A/D <sup>2</sup>	--	--	--	--
PCL		<b>LPO, Black Wheel Lug Nuts and Locks Package</b> , includes (SPZ) Black wheel locks, LPO and (SPY) Black lug nuts, LPO 1 - Not available with (SFE) wheel locks, LPO.	--	A/D <sup>1</sup>	A/D <sup>1</sup>	A/D <sup>1</sup>	A/D <sup>1</sup>	A/D <sup>1</sup>	A/D <sup>1</sup>	A/D <sup>1</sup>
5VM		<b>LPO, Ground Effects Package</b> 1 - Requires 5V5 or 5ZU and exterior color (G9K) Satin Steel Metallic, (GAZ) Summit White or (GBA) Black. Not available with RMH, RZ3, VRV, VTD. 2 - Requires WRS, 5V5 or 5ZU and exterior color (G9K) Satin Steel Metallic, (GAZ) Summit White or (GBA) Black. Not available with RMH, RZ3, VRV, VTD. 3 - Requires exterior color (G9K) Satin Steel Metallic, (GAZ) Summit White or (GBA) Black. Not available with RMH, RZ3, VRV, VTD.	A/D <sup>1</sup>	A/D <sup>2</sup>	A/D <sup>2</sup>	A/D <sup>2</sup>	A/D <sup>1</sup>	A/D <sup>3</sup>	A/D <sup>3</sup>	--
VTD		<b>LPO, Ground effects, Carbon Flash Metallic, second generation</b> 1 - Requires 5V5, 5ZU, or D80. Not available with 5VM, RMH, RZ3 or VRV. 2 - Not available with 5VM, RMH, RZ3 or VRV.	A/D <sup>1</sup>	A/D <sup>1</sup>	A/D <sup>1</sup>	A/D <sup>1</sup>	A/D <sup>1</sup>	A/D <sup>2</sup>	A/D <sup>2</sup>	--
RIK		<b>LPO, Black front and rear bowtie emblems</b> 1 - Not available with (R88) Front illuminated and rear non-illuminated bowtie emblems in Black, LPO or (P3H) Black front and rear bowties. 2 - Not available with (WRS) RS Package, (R88) Front illuminated and rear non-illuminated bowtie emblems in Black, LPO or (P3H) Black front and rear bowties.	A/D <sup>1</sup>	A/D <sup>2</sup>	A/D <sup>2</sup>	A/D <sup>2</sup>	--	--	--	--
R88		<b>LPO, Front illuminated and rear non-illuminated bowtie emblems in Black</b> 1 - Not available with (RIK) Black front and rear bowtie emblems, LPO or (P3H) Black front and rear bowties.	A/D <sup>1</sup>	A/D <sup>1</sup>	A/D <sup>1</sup>	A/D <sup>1</sup>	A/D	--	--	--
VTA		<b>NEW! LPO, Black exhaust tip</b> 1 - Not available with 5VM, VTD. 2 - Not available with 5VM, VTD, NPP.	A/D <sup>1</sup>	A/D <sup>2</sup>	A/D <sup>2</sup>	A/D <sup>2</sup>	--	A/D <sup>2</sup>	A/D <sup>2</sup>	--

ADDITIONAL OPTIONS										
Free Flow RPO Code	Ref. Only RPO Code	Description	1LS Coupe 1AG37	1LT Coupe 1AG37	2LT Coupe 1AH37	3LT Coupe 1AH37	LT1 Coupe 1AJ37	1SS Coupe 1AJ37	2SS Coupe 1AK37	ZL1 Coupe 1AL37
			1LS	1LT	2LT	3LT	1LZ	1SS	2SS	1SE
5VF		<b>NEW!</b> LPO, Carbon fiber exhaust tip 1 - Not available with 5VM, VTD. 2 - Not available with 5VM, VTD, NPP.	A/D <sup>1</sup>	A/D <sup>2</sup>	A/D <sup>2</sup>	A/D <sup>2</sup>	--	A/D <sup>2</sup>	A/D <sup>2</sup>	--
RZ3		<b>LPO, Front splitter</b> 1 - Requires 5V5, 5ZU or D80 and exterior color (G9K) Satin Steel Metallic, (GAZ) Summit White or (GBA) Black. 2 - Requires 5V5, 5ZU, D80 or WRS and exterior color (G9K) Satin Steel Metallic, (GAZ) Summit White or (GBA) Black. Not available with 5VM, RMH or VTD. 3 - Requires 5V5, 5ZU or D80 and exterior color (G9K) Satin Steel Metallic, (GAZ) Summit White or (GBA) Black. Not available with 5VM or VTD. 4 - Requires exterior color (G9K) Satin Steel Metallic, (GAZ) Summit White or (GBA) Black. Not available with 5VM, RMH or VTD.	A/D <sup>1</sup>	A/D <sup>2</sup>	A/D <sup>2</sup>	A/D <sup>2</sup>	A/D <sup>3</sup>	A/D <sup>4</sup>	A/D <sup>4</sup>	--
SL2		<b>LPO, Front fascia extension, Satin Black, second generation</b> 1 - Requires 5V5, 5ZU, A9B or D80. Not available with 5VM, RMH, RZ3 or VTD. 2 - Not available with 5VM, RMH, RZ3 or VTD.	A/D <sup>1</sup>	A/D <sup>1</sup>	A/D <sup>1</sup>	A/D <sup>1</sup>	A/D <sup>1</sup>	A/D <sup>2</sup>	A/D <sup>2</sup>	--
RIN		<b>LPO, Camaro logo fender badge</b> 1 - Not available with CG3, SFZ. 2 - Not available with CG3, SFZ, WBL.	A/D <sup>1</sup>	A/D <sup>2</sup>	A/D <sup>2</sup>	A/D <sup>2</sup>	--	A/D <sup>2</sup>	A/D <sup>2</sup>	--
SFZ		<b>LPO, Camaro fender badge, Black</b> 1 - Not available with CG3, RIN. 2 - Not available with CG3, RIN, WBL.	A/D <sup>1</sup>	A/D <sup>2</sup>	A/D <sup>2</sup>	A/D <sup>2</sup>	--	A/D <sup>2</sup>	A/D <sup>2</sup>	--
VQL		<b>LPO, Fuel filler door in Black with visible carbon fiber insert</b>	A/D	A/D	A/D	A/D	A/D	A/D	A/D	A/D
VTU		<b>LPO, Fuel filler door in Black with Gloss Black insert</b>	A/D	A/D	A/D	A/D	A/D	A/D	A/D	A/D
W0D		<b>LPO, Fuel filler door in Black with Red Hot insert</b> 1 - Not available with exterior color (G16) Crush, (GKK) Riverside Blue Metallic, (GKO) Shock or (GSK) Wild Cherry Tintcoat.	A/D <sup>1</sup>	A/D <sup>1</sup>	A/D <sup>1</sup>	A/D <sup>1</sup>	A/D <sup>1</sup>	A/D <sup>1</sup>	A/D <sup>1</sup>	A/D <sup>1</sup>
W0E		<b>LPO, Fuel filler door in Black with Silver Ice Metallic insert</b>	A/D	A/D	A/D	A/D	A/D	A/D	A/D	A/D
RZB		<b>LPO, Black lower grille with Red Hot inserts</b> 1 - Not available with RO1, RO2 or exterior colors (G16) Crush, (GKK) Riverside Blue Metallic, (GKO) Shock or (GSK) Wild Cherry Tintcoat.	A/D <sup>1</sup>	A/D <sup>1</sup>	A/D <sup>1</sup>	A/D <sup>1</sup>	--	--	--	--

ADDITIONAL OPTIONS										
Free Flow RPO Code	Ref. Only RPO Code	Description	1LS Coupe 1AG37	1LT Coupe 1AG37	2LT Coupe 1AH37	3LT Coupe 1AH37	LT1 Coupe 1AJ37	1SS Coupe 1AJ37	2SS Coupe 1AK37	ZL1 Coupe 1AL37
			1LS	1LT	2LT	3LT	1LZ	1SS	2SS	1SE
RO1		<b>LPO, Black lower grille with Silver-painted inserts</b> 1 - Not available with (RO2) Black lower grille with Gloss Black inserts, LPO.	A/D <sup>1</sup>	A/D <sup>1</sup>	A/D <sup>1</sup>	A/D <sup>1</sup>	--	--	--	--
RO2		<b>LPO, Black lower grille with Gloss Black inserts</b> 1 - Not available with (RO1) Black lower grille with Silver-painted inserts, LPO.	A/D <sup>1</sup>	A/D <sup>1</sup>	A/D <sup>1</sup>	A/D <sup>1</sup>	--	--	--	--
STI		<b>LPO, Satin Black rocker moldings</b> 1 - Not available with 5VM, RMH, RZ3, VRV, VTD.	A/D <sup>1</sup>	A/D <sup>1</sup>	A/D <sup>1</sup>	A/D <sup>1</sup>	A/D <sup>1</sup>	A/D <sup>1</sup>	A/D <sup>1</sup>	--
RMH		<b>LPO, Front splitter, Carbon Flash Metallic</b> 1 - Requires 5V5, 5ZU or D80. Not available with 5VM, RZ3, VTD. 2 - Not available with 5VM, RZ3, VTD.	A/D <sup>1</sup>	A/D <sup>1</sup>	A/D <sup>1</sup>	A/D <sup>1</sup>	A/D <sup>1</sup>	A/D <sup>2</sup>	A/D <sup>2</sup>	--
VRV		<b>LPO, Body-color painted splash guards</b> 1 - Not available with 5VM, RMH, RZ3, STI, VTD or exterior colors (G16) Crush and (GKO) Shock.	A/D <sup>1</sup>	A/D <sup>1</sup>	A/D <sup>1</sup>	A/D <sup>1</sup>	A/D <sup>1</sup>	A/D <sup>1</sup>	A/D <sup>1</sup>	--
5ZU		<b>LPO, Body-color blade spoiler</b> 1 - Requires exterior color (G7C) Red Hot, (GAZ) Summit White, (GBA) Black or (GKK) Riverside Blue Metallic. Not available with any RPO stripe option. 2 - Requires (D80) decklid-mounted lip spoiler and exterior color (G7C) Red Hot, (GAZ) Summit White, (GBA) Black or (GKK) Riverside Blue Metallic. Not available with any RPO stripe option.	A/D <sup>1</sup>	A/D <sup>1</sup>	A/D <sup>1</sup>	A/D <sup>1</sup>	A/D <sup>1</sup>	A/D <sup>2</sup>	A/D <sup>2</sup>	--
5ZZ		<b>LPO, Carbon Flash Metallic blade spoiler</b> 1 - Not available with any RPO stripe option.	A/D <sup>1</sup>	A/D <sup>1</sup>	A/D <sup>1</sup>	A/D <sup>1</sup>	A/D <sup>1</sup>	A/D <sup>1</sup>	A/D <sup>1</sup>	--
5ZV		<b>LPO, Satin Black blade spoiler</b> 1 - Not available with any RPO stripe option.	A/D <sup>1</sup>	A/D <sup>1</sup>	A/D <sup>1</sup>	A/D <sup>1</sup>	A/D <sup>1</sup>	A/D <sup>1</sup>	A/D <sup>1</sup>	--
5V5		<b>LPO, Body-color high-wing spoiler</b> 1 - Requires exterior color (G7C) Red Hot, (G9K) Satin Steel Metallic, (GAZ) Summit White, (GBA) Black or (GKK) Riverside Blue Metallic. Not available with any RPO stripe option. 2 - Requires (D80) decklid-mounted lip spoiler and exterior color (G7C) Red Hot, (G9K) Satin Steel Metallic, (GAZ) Summit White, (GBA) Black or (GKK) Riverside Blue Metallic. Not available with any RPO stripe option.	A/D <sup>1</sup>	A/D <sup>1</sup>	A/D <sup>1</sup>	A/D <sup>1</sup>	A/D <sup>1</sup>	A/D <sup>2</sup>	A/D <sup>2</sup>	--

ADDITIONAL OPTIONS										
Free Flow RPO Code	Ref. Only RPO Code	Description	1LS Coupe 1AG37	1LT Coupe 1AG37	2LT Coupe 1AH37	3LT Coupe 1AH37	LT1 Coupe 1AJ37	1SS Coupe 1AJ37	2SS Coupe 1AK37	ZL1 Coupe 1AL37
			1LS	1LT	2LT	3LT	1LZ	1SS	2SS	1SE
SB2		<b>LPO, Carbon Flash Metallic wing spoiler</b> 1 - Not available with any RPO stripe option.	A/D <sup>1</sup>	A/D <sup>1</sup>	A/D <sup>1</sup>	A/D <sup>1</sup>	A/D <sup>1</sup>	A/D <sup>1</sup>	A/D <sup>1</sup>	--
5ZW		<b>LPO, Satin Black wing spoiler</b> 1 - Not available with any RPO stripe option.	A/D <sup>1</sup>	A/D <sup>1</sup>	A/D <sup>1</sup>	A/D <sup>1</sup>	A/D <sup>1</sup>	A/D <sup>1</sup>	A/D <sup>1</sup>	--
6ZQ		<b>LPO, ZL1 1LE SPEC visible carbon fiber spoiler</b> 1 - Requires 5VM, RMH, RZ3, VTD. Not available with any RPO stripe option. 2 - Not available with any RPO stripe option.	--	--	--	--	--	A/D <sup>1</sup>	A/D <sup>1</sup>	A/D <sup>2</sup>
SB3		<b>LPO, ZL1 SPEC rear spoiler, body-color</b> 1 - Requires exterior color (G7C) Red Hot, (GAZ) Summit White, (GBA) Black or (GKK) Riverside Blue Metallic. Not available with any stripes.	--	--	--	--	--	A/D <sup>1</sup>	A/D <sup>1</sup>	--
RY2		<b>LPO, Black Metallic Hash Mark Stripes</b>	A/D	A/D	A/D	A/D	A/D	A/D	A/D	--
VPO		<b>LPO, Gray Hash Mark Stripes</b>	A/D	A/D	A/D	A/D	A/D	A/D	A/D	--
SNG		<b>LPO, Red Hash Mark Stripes</b> 1 - Not available with exterior color (GSK) Wild Cherry Tintcoat.	A/D <sup>1</sup>	A/D <sup>1</sup>	A/D <sup>1</sup>	A/D <sup>1</sup>	A/D <sup>1</sup>	A/D <sup>1</sup>	A/D <sup>1</sup>	--
SF9		<b>LPO, Blue Hash Mark Stripes</b> 1 - Not available with exterior colors (G7C) Red Hot, (GKK) Riverside Blue Metallic or (GSK) Wild Cherry Tintcoat.	A/D <sup>1</sup>	A/D <sup>1</sup>	A/D <sup>1</sup>	A/D <sup>1</sup>	A/D <sup>1</sup>	A/D <sup>1</sup>	A/D <sup>1</sup>	--
SHQ		<b>LPO, Silver Hash Mark Stripes</b>	A/D	A/D	A/D	A/D	A/D	A/D	A/D	--
SFC		<b>LPO, White Pearl Hash Mark Stripes</b>	A/D	A/D	A/D	A/D	A/D	A/D	A/D	--
SHU		<b>LPO, Satin Black Hood Stripe with Red Hot Hash Mark</b>	A/D	A/D	A/D	A/D	A/D	A/D	A/D	--
SHS		<b>LPO, Satin Black Hood Stripe with Silver Ice Metallic Hash Mark</b>	A/D	A/D	A/D	A/D	A/D	A/D	A/D	--
VPW		<b>LPO, Black Metallic Body-Side Spear Stripes</b>	A/D	A/D	A/D	A/D	A/D	A/D	A/D	--
SNS		<b>LPO, Blue Body-Side Spear Stripes</b> 1 - Not available with exterior colors (G7C) Red Hot, (GKK) Riverside Blue Metallic or (GSK) Wild Cherry Tintcoat.	A/D <sup>1</sup>	A/D <sup>1</sup>	A/D <sup>1</sup>	A/D <sup>1</sup>	A/D <sup>1</sup>	A/D <sup>1</sup>	A/D <sup>1</sup>	--
SNQ		<b>LPO, Gray Body-Side Spear Stripes</b> 1 - Not available with exterior color (GJI) Shadow Gray Metallic.	A/D <sup>1</sup>	A/D <sup>1</sup>	A/D <sup>1</sup>	A/D <sup>1</sup>	A/D <sup>1</sup>	A/D <sup>1</sup>	A/D <sup>1</sup>	--

ADDITIONAL OPTIONS										
Free Flow RPO Code	Ref. Only RPO Code	Description	1LS Coupe 1AG37	1LT Coupe 1AG37	2LT Coupe 1AH37	3LT Coupe 1AH37	LT1 Coupe 1AJ37	1SS Coupe 1AJ37	2SS Coupe 1AK37	ZL1 Coupe 1AL37
			1LS	1LT	2LT	3LT	1LZ	1SS	2SS	1SE
SNP		<b>LPO, Red Body-Side Spear Stripes</b> 1 - Not available with exterior color (G16) Crush, (G7C) Red Hot, (GKO) Shock or (GSK) Wild Cherry Tintcoat.	A/D <sup>1</sup>	A/D <sup>1</sup>	A/D <sup>1</sup>	A/D <sup>1</sup>	A/D <sup>1</sup>	A/D <sup>1</sup>	A/D <sup>1</sup>	--
SF8		<b>LPO, Silver Body-Side Spear Stripes</b>	A/D	A/D	A/D	A/D	A/D	A/D	A/D	--
SNH		<b>LPO, White Pearl Body-Side Spear Stripes</b> 1 - Not available with exterior color (GAZ) Summit White.	A/D <sup>1</sup>	A/D <sup>1</sup>	A/D <sup>1</sup>	A/D <sup>1</sup>	A/D <sup>1</sup>	A/D <sup>1</sup>	A/D <sup>1</sup>	--
SB7		<b>LPO, Red Spider Stripes</b> 1 - Not available with exterior colors (G7C) Red Hot or (GSK) Wild Cherry Tintcoat or with (C3O/BO3/BO4/C2U) Rally Stripes.	A/D <sup>1</sup>	A/D <sup>1</sup>	A/D <sup>1</sup>	A/D <sup>1</sup>	A/D <sup>1</sup>	A/D <sup>1</sup>	A/D <sup>1</sup>	--
SB9		<b>LPO, Black Spider Stripes</b> 1 - Not available with (C3O/BO3/BO4/C2U) Rally Stripes.	A/D <sup>1</sup>	A/D <sup>1</sup>	A/D <sup>1</sup>	A/D <sup>1</sup>	A/D <sup>1</sup>	A/D <sup>1</sup>	A/D <sup>1</sup>	--
SNB		<b>LPO, Silver Spider Stripes</b> 1 - Not available with (C3O/BO3/BO4/C2U) Rally Stripes.	A/D <sup>1</sup>	A/D <sup>1</sup>	A/D <sup>1</sup>	A/D <sup>1</sup>	A/D <sup>1</sup>	A/D <sup>1</sup>	A/D <sup>1</sup>	--
SNC		<b>LPO, White Pearl Spider Stripes</b> 1 - Not available with exterior color (GAZ) Summit White or with (C3O/BO3/BO4/C2U) Rally Stripes.	A/D <sup>1</sup>	A/D <sup>1</sup>	A/D <sup>1</sup>	A/D <sup>1</sup>	A/D <sup>1</sup>	A/D <sup>1</sup>	A/D <sup>1</sup>	--
SNJ		<b>LPO, Black Metallic Stinger Stripe</b> 1 - Not available with (DUU/DUV/DW7/DW8) Center Stripe or (C3O/BO3/BO4/C2U) Rally Stripes.	A/D <sup>1</sup>	A/D <sup>1</sup>	A/D <sup>1</sup>	A/D <sup>1</sup>	A/D <sup>1</sup>	A/D <sup>1</sup>	A/D <sup>1</sup>	--
SFA		<b>LPO, Red Stinger Stripe</b> 1 - Not available with exterior color (G16) Crush, (G7C) Red Hot, (GKO) Shock or (GSK) Wild Cherry Tintcoat or with (DUU/DUV/DW7/DW8) Center Stripe or (C3O/BO3/BO4/C2U) Rally Stripes.	A/D <sup>1</sup>	A/D <sup>1</sup>	A/D <sup>1</sup>	A/D <sup>1</sup>	A/D <sup>1</sup>	A/D <sup>1</sup>	A/D <sup>1</sup>	--
SNE		<b>LPO, Silver Stinger Stripe</b> 1 - Not available with (DUU/DUV/DW7/DW8) Center Stripe or (C3O/BO3/BO4/C2U) Rally Stripes.	A/D <sup>1</sup>	A/D <sup>1</sup>	A/D <sup>1</sup>	A/D <sup>1</sup>	A/D <sup>1</sup>	A/D <sup>1</sup>	A/D <sup>1</sup>	--
SNM		<b>LPO, White Pearl Stinger Stripe</b> 1 - Not available with exterior color (GAZ) Summit White or with (DUU/DUV/DW7/DW8) Center Stripe or (C3O/BO3/BO4/C2U) Rally Stripes.	A/D <sup>1</sup>	A/D <sup>1</sup>	A/D <sup>1</sup>	A/D <sup>1</sup>	A/D <sup>1</sup>	A/D <sup>1</sup>	A/D <sup>1</sup>	--
SCY		<b>LPO, Dark finish tail lamps</b> 1 - Not available with (B9M) dark tint tail lamps. 2 - Not available with (B9M) dark tint tail lamps or (WRS) RS Package.	A/D <sup>1</sup>	A/D <sup>2</sup>	A/D <sup>2</sup>	A/D <sup>2</sup>	--	--	--	--



ADDITIONAL OPTIONS										
Free Flow RPO Code	Ref. Only RPO Code	Description	1LS Coupe 1AG37	1LT Coupe 1AG37	2LT Coupe 1AH37	3LT Coupe 1AH37	LT1 Coupe 1AJ37	1SS Coupe 1AJ37	2SS Coupe 1AK37	ZL1 Coupe 1AL37
			1LS	1LT	2LT	3LT	1LZ	1SS	2SS	1SE
RWH		LPO, Indoor vehicle cover, Black with Camaro logo	A/D	A/D	A/D	A/D	A/D	A/D	A/D	--
RWH		LPO, Indoor vehicle cover, Black with ZL1 logo	--	--	--	--	--	--	--	A/D
VDN		LPO, Indoor vehicle cover, Gray	A/D	A/D	A/D	A/D	A/D	A/D	A/D	A/D
SL1		LPO, Indoor vehicle cover, Red	A/D	A/D	A/D	A/D	A/D	A/D	A/D	A/D
RWJ		LPO, Outdoor vehicle cover, Black	A/D	A/D	A/D	A/D	A/D	A/D	A/D	A/D
VRU		LPO, Outdoor vehicle cover, Gray	A/D	A/D	A/D	A/D	A/D	A/D	A/D	A/D
RNX		LPO, Outdoor vehicle cover, Red	A/D	A/D	A/D	A/D	A/D	A/D	A/D	A/D
VGS		LPO, Outdoor vehicle cover, Gray, ZL1 logo	--	--	--	--	--	--	--	A/D
RXH		LPO, Silver RS wheel center caps 1 - Requires (WRS) RS Package. Not available with RTH, SHL.	--	A/D <sup>1</sup>	A/D <sup>1</sup>	A/D <sup>1</sup>	--	--	--	--
VW9		LPO, Black SS wheel center caps	--	--	--	--	--	A/D	A/D	--
RXJ		LPO, Silver SS wheel center caps 1 - Not available with 56H, 56V.	--	--	--	--	--	A/D <sup>1</sup>	A/D <sup>1</sup>	--
5ZB		LPO, Camaro logo wheel center caps 1 - Not available with RTH, SHL. 2 - Not available with (RTH) 20" 5-spoke Carbon Flash painted aluminum wheels. 3 - Not available with (56H) SS 20" (50.8 cm) 5-spoke gloss Black wheels with Red stripe, LPO. 4 - Not available with 56H, 56V.	--	A/D <sup>1</sup>	A/D <sup>1</sup>	A/D <sup>1</sup>	A/D <sup>2</sup>	A/D <sup>3</sup>	A/D <sup>4</sup>	--
5ZD		LPO, Wheel center caps, Performance 1 - Not available with SHL, SKW. 2 - Not available with 56H, 56M.	--	A/D <sup>1</sup>	A/D <sup>1</sup>	A/D <sup>1</sup>	A/D	A/D <sup>2</sup>	A/D <sup>2</sup>	--
SFE		LPO, Wheel locks 1 - (SFE) Wheel locks is included with all LPO wheels.	A/D	A/D <sup>1</sup>	A/D <sup>1</sup>	A/D <sup>1</sup>	A/D <sup>1</sup>	A/D <sup>1</sup>	A/D <sup>1</sup>	A/D
SPZ		LPO, Black wheel locks 1 - Not available with (SFE) wheel locks, LPO.	--	A/D <sup>1</sup>	A/D <sup>1</sup>	A/D <sup>1</sup>	A/D <sup>1</sup>	A/D <sup>1</sup>	A/D <sup>1</sup>	A/D <sup>1</sup>
SPY		LPO, Black lug nuts 1 - Not available with (SFE) wheel locks, LPO.	--	A/D <sup>1</sup>	A/D <sup>1</sup>	A/D <sup>1</sup>	A/D <sup>1</sup>	A/D <sup>1</sup>	A/D <sup>1</sup>	A/D <sup>1</sup>

ADDITIONAL OPTIONS										
Free Flow RPO Code	Ref. Only RPO Code	Description	1LS Coupe 1AG37	1LT Coupe 1AG37	2LT Coupe 1AH37	3LT Coupe 1AH37	LT1 Coupe 1AJ37	1SS Coupe 1AJ37	2SS Coupe 1AK37	ZL1 Coupe 1AL37
			1LS	1LT	2LT	3LT	1LZ	1SS	2SS	1SE
SHL		<p><b>LPO, 20" (50.8 cm) 5-spoke gloss Black wheels with Red outline stripe.</b> When ordering SHL with other optional wheels, 2 complete sets of wheels are being ordered. Please ensure customer desires both sets of wheels before proceeding to place order with LPO wheels SHL.</p> <p>1 - Includes (VWD) Gloss Black wheel center caps with Silver bowtie, LPO. Not available with (SFE) wheel locks, LPO. When ordered with factory-installed (REG) 18" Silver-painted aluminum wheels, a more sporty ride will be experienced and will include 20" tires.</p> <p>2 - Not available with (SFE) wheel locks, LPO.</p>	--	A/D <sup>1</sup>	A/D <sup>1</sup>	A/D <sup>1</sup>	A/D <sup>2</sup>	--	--	--
56H		<p><b>LPO, SS 20" (50.8 cm) 5-spoke gloss Black wheels with Red stripe.</b> When ordering 56H with other optional wheels, 2 complete sets of wheels are being ordered. Please ensure customer desires both sets of wheels before proceeding to place order with LPO wheels 56H. Includes (VWD) Gloss Black wheel center caps with Silver bowtie, LPO.</p> <p>1 - Not available with (SFE) wheel locks, LPO.</p>	--	--	--	--	--	A/D <sup>1</sup>	A/D <sup>1</sup>	--
SKW		<p><b>LPO, 20" (50.8 cm) 5-split spoke machined-face wheels.</b> When ordering SKW with other optional wheels, 2 complete sets of wheels are being ordered. Please ensure customer desires both sets of wheels before proceeding to place order with LPO wheels SKW.</p> <p>1 - Not available with (SFE) wheel locks, LPO. When ordered with factory-installed (REG) 18" Silver-painted aluminum wheels, a more sporty ride will be experienced and will include 20" tires.</p> <p>2 - Not available with (SFE) wheel locks, LPO.</p>	--	A/D <sup>1</sup>	A/D <sup>1</sup>	A/D <sup>1</sup>	A/D <sup>2</sup>	--	--	--

ADDITIONAL OPTIONS										
Free Flow RPO Code	Ref. Only RPO Code	Description	1LS Coupe 1AG37	1LT Coupe 1AG37	2LT Coupe 1AH37	3LT Coupe 1AH37	LT1 Coupe 1AJ37	1SS Coupe 1AJ37	2SS Coupe 1AK37	ZL1 Coupe 1AL37
			1LS	1LT	2LT	3LT	1LZ	1SS	2SS	1SE
56M		<b>LPO, SS 20" (50.8 cm) 5-split spoke machined-face wheels.</b> When ordering 56M with other optional wheels, 2 complete sets of wheels are being ordered. Please ensure customer desires both sets of wheels before proceeding to place order with LPO wheels 56M. 1 - Not available with (SFE) wheel locks, LPO.	--	--	--	--	--	A/D <sup>1</sup>	A/D <sup>1</sup>	--
5JX		<b>LPO, LT 20" (50.8 cm) 5-split spoke Satin Black wheels.</b> When ordering 5JX with other optional wheels, 2 complete sets of wheels are being ordered. Please ensure customer desires both sets of wheels before proceeding to place order with LPO wheels 5JX. 1 - Not available with (SFE) wheel locks, LPO. When ordered with factory-installed (REG) 18" Silver-painted aluminum wheels, a more sporty ride will be experienced and will include 20" tires. 2 - Not available with (SFE) wheel locks, LPO.	--	A/D <sup>1</sup>	A/D <sup>1</sup>	A/D <sup>1</sup>	A/D <sup>2</sup>	--	--	--
57S		<b>LPO, SS 20" (50.8 cm) 5-split spoke Satin Black wheels.</b> When ordering 57S with other optional wheels, 2 complete sets of wheels are being ordered. Please ensure customer desires both sets of wheels before proceeding to place order with LPO wheels 57S. 1 - Not available with (SFE) wheel locks, LPO.	--	--	--	--	--	A/D <sup>1</sup>	A/D <sup>1</sup>	--
SIA		<b>LPO, Wicker bill</b> 1 - Requires (5ZU) Body-color blade spoiler, LPO. 2 - Requires (5ZU) Body-color blade spoiler, LPO or (A1X/A1Y) 1LE Track Performance Package.	A/D <sup>1</sup>	A/D <sup>2</sup>	A/D <sup>2</sup>	A/D <sup>2</sup>	A/D <sup>1</sup>	A/D <sup>2</sup>	A/D <sup>2</sup>	--
J6L		<b>Calipers, Orange-painted</b> 1 - Includes (J55) Brembo 4-piston front, performance brakes. Not available REG/5K9 wheels. 2 - Not available with (5K9) 20" Caliente wheels. 3 - Not available with (57V) 20" Caliente wheels.	--	A <sup>1</sup>	A <sup>1</sup>	A <sup>1</sup>	A <sup>2</sup>	A <sup>3</sup>	A <sup>3</sup>	--

ADDITIONAL OPTIONS										
Free Flow RPO Code	Ref. Only RPO Code	Description	1LS Coupe 1AG37	1LT Coupe 1AG37	2LT Coupe 1AH37	3LT Coupe 1AH37	LT1 Coupe 1AJ37	1SS Coupe 1AJ37	2SS Coupe 1AK37	ZL1 Coupe 1AL37
			1LS	1LT	2LT	3LT	1LZ	1SS	2SS	1SE
J6F		<b>Calipers, Red-painted</b> 1 - Includes (J55) Brembo 4-piston front, performance brakes. Not available REG/5K9 wheels. 2 - Not available with (5K9) 20" Caliente wheels. 3 - Not available with (57V) 20" Caliente wheels.	--	A <sup>1</sup>	A <sup>1</sup>	A <sup>1</sup>	A <sup>2</sup>	A <sup>3</sup>	A <sup>3</sup>	--
D80		<b>Spoiler, decklid-mounted lip spoiler</b> 1 - Included with (A9B) Satin Black Appearance Package. 2 - Included with (A9B) Satin Black Appearance Package or (WRS) RS Package. 3 - Included and only available with 5V5, 5ZU, 5ZV, 5ZW, 5ZZ, SB2.	A <sup>1</sup>	A <sup>2</sup>	A <sup>2</sup>	A <sup>2</sup>	A <sup>2</sup>	A <sup>3</sup>	A <sup>3</sup>	--
DUU		<b>Black Center Stripe</b> 1 - Not available with exterior color (GBA) Black.	A <sup>1</sup>	A <sup>1</sup>	A <sup>1</sup>	A <sup>1</sup>	--	--	--	--
DW8		<b>Black Metallic Center Stripe</b>	--	--	--	--	A	A	A	--
DVV		<b>Black Metallic Center Stripe</b> 1 - Roof, decklid and spoiler only, Not available with (CFW) Carbon Fiber weave hood insert.	--	--	--	--	--	--	--	A <sup>1</sup>
FE9		<b>Emissions, Federal requirements</b>	A	A	A	A	A	A	A	A
YF5		<b>Emissions, California state requirements</b>	A	A	A	A	A	A	A	A
DUV		<b>Silver Center Stripe</b>	A	A	A	A	A	A	A	--
NE1		<b>Emissions, Connecticut, Delaware, Maine, Maryland, Massachusetts, New Jersey, New York, Oregon, Pennsylvania, Rhode Island, Vermont and Washington state requirements</b>	A	A	A	A	A	A	A	A
DW7		<b>White Pearl Center Stripe</b> 1 - Not available with exterior color (GAZ) Summit White.	A <sup>1</sup>	A <sup>1</sup>	A <sup>1</sup>	A <sup>1</sup>	A <sup>1</sup>	A <sup>1</sup>	A <sup>1</sup>	--
C3O		<b>Black Rally Stripes</b> 1 - Not available with exterior color (GBA) Black.	A <sup>1</sup>	A <sup>1</sup>	A <sup>1</sup>	A <sup>1</sup>	--	--	--	--

ADDITIONAL OPTIONS										
Free Flow RPO Code	Ref. Only RPO Code	Description	1LS Coupe 1AG37	1LT Coupe 1AG37	2LT Coupe 1AH37	3LT Coupe 1AH37	LT1 Coupe 1AJ37	1SS Coupe 1AJ37	2SS Coupe 1AK37	ZL1 Coupe 1AL37
			1LS	1LT	2LT	3LT	1LZ	1SS	2SS	1SE
NB8		<b>Emissions override</b> , California (allows a dealer in states that require California emissions - California, Connecticut, Delaware, Maryland, Massachusetts, New Jersey, New York, Oregon, Pennsylvania, Rhode Island or Washington - to order Federal emissions for a vehicle that will be registered in a state that has Federal emission requirements). Do not use for vehicles that will be registered in California, Connecticut, Delaware, Maryland, Massachusetts, New Jersey, New York, Oregon, Pennsylvania, Rhode Island or Washington. <b>1 - Requires (FE9) Federal emissions requirements. Not available in Maine or Vermont.</b>	A <sup>1</sup>	A <sup>1</sup>	A <sup>1</sup>	A <sup>1</sup>	A <sup>1</sup>	A <sup>1</sup>	A <sup>1</sup>	A <sup>1</sup>
BO4		<b>Black Metallic Rally Stripes</b>	--	--	--	--	A	A	A	--
NB9		<b>Emissions override</b> , state-specific (for dealers ordering vehicles in (YF5) or (NE1) emission states - California, Connecticut, Delaware, Maine, Maryland, Massachusetts, New Jersey, New York, Oregon, Pennsylvania, Rhode Island, Vermont and Washington) <b>1 - Allows a California dealer (YF5 emissions) to order (NE1) emissions with (NB9) emissions override code for registration in (NE1) states; or, a Connecticut, Delaware, Maine, Maryland, Massachusetts, New Jersey, New York, Oregon, Pennsylvania, Rhode Island, Vermont and Washington dealer (NE1 emissions) to order (YF5) emissions with (NB9) emissions override code for registration in California.</b>	A <sup>1</sup>	A <sup>1</sup>	A <sup>1</sup>	A <sup>1</sup>	A <sup>1</sup>	A <sup>1</sup>	A <sup>1</sup>	A <sup>1</sup>

ADDITIONAL OPTIONS										
Free Flow RPO Code	Ref. Only RPO Code	Description	1LS Coupe 1AG37	1LT Coupe 1AG37	2LT Coupe 1AH37	3LT Coupe 1AH37	LT1 Coupe 1AJ37	1SS Coupe 1AJ37	2SS Coupe 1AK37	ZL1 Coupe 1AL37
			1LS	1LT	2LT	3LT	1LZ	1SS	2SS	1SE
NC7		<b>Emissions override</b> , Federal (for vehicles ordered by dealers in Federal emission states with (YF5) or (NE1) emissions - Not required for vehicles being shipped to California, Connecticut, Delaware, Maine, Maryland, Massachusetts, New Jersey, New York, Oregon, Pennsylvania, Rhode Island, Vermont or Washington) <b>1 - Requires (YF5) California state emissions requirements or (NE1) Connecticut, Delaware, Maine, Maryland, Massachusetts, New Jersey, New York, Oregon, Pennsylvania, Rhode Island, Vermont or Washington state emissions requirements.</b>	A <sup>1</sup>	A <sup>1</sup>	A <sup>1</sup>	A <sup>1</sup>	A <sup>1</sup>	A <sup>1</sup>	A <sup>1</sup>	A <sup>1</sup>
C2U		<b>Silver Rally Stripes</b>	A	A	A	A	A	A	A	--
BO3		<b>White Pearl Rally Stripes</b> <b>1 - Not available with exterior color (GAZ) Summit White.</b>	A <sup>1</sup>	A <sup>1</sup>	A <sup>1</sup>	A <sup>1</sup>	A <sup>1</sup>	A <sup>1</sup>	A <sup>1</sup>	--
LGX		<b>Engine</b> , 3.6L V6, DI, VVT (335 hp [250 kW] @ 6800 rpm, 284 lb-ft of torque [383.4 N-m] @ 5300 rpm)	--	A	A	A	--	--	--	--
B9M		<b>Tail lamps</b> , dark tint <b>1 - Not available with (WRS) RS Package since it already includes dark tint tail lamps.</b>	A	A <sup>1</sup>	A <sup>1</sup>	A <sup>1</sup>	--	--	--	--
K05		<b>Engine block heater</b>	A	A	A	A	--	--	--	--
NPP		<b>Exhaust</b> , dual-mode <b>1 - Requires (LGX) 3.6L V6 engine.</b>	--	A <sup>1</sup>	A <sup>1</sup>	A <sup>1</sup>	A	A	A	S
5WF		<b>LPO, Battery Protection Package</b>	A/D	A/D	A/D	A/D	A/D	A/D	A/D	A/D
PCU		<b>LPO, 4-Corner Brembo brake upgrade system in Red</b> , includes (5LQ) 6 Piston Front Brake Kit, LPO and (RX0) 4 Piston Brembo rear calipers in Red, LPO	--	--	--	--	--	A/D	A/D	--
5LQ		<b>LPO, 6 Piston Front Brake Kit</b> , includes Brembo Red brake calipers, slotted rotors and pad upgrade. Front brakes only.	A/D	A/D	A/D	A/D	A/D	A/D	A/D	--
RVK		<b>LPO, Performance air intake</b> <b>1 - Not available at start of production.</b>	--	--	--	--	A/D <sup>1</sup>	A/D <sup>1</sup>	A/D <sup>1</sup>	--
SLN		<b>LPO, Strut tower brace</b>	--	--	--	--	--	A/D	A/D	--
RTJ		<b>Wheels</b> , 20" (50.8 cm) 5-spilt spoke bright Silver-painted aluminum <b>1 - Requires (WRS) RS Package.</b>	--	A <sup>1</sup>	A <sup>1</sup>	A <sup>1</sup>	A	--	--	--

ADDITIONAL OPTIONS										
Free Flow RPO Code	Ref. Only RPO Code	Description	1LS Coupe 1AG37	1LT Coupe 1AG37	2LT Coupe 1AH37	3LT Coupe 1AH37	LT1 Coupe 1AJ37	1SS Coupe 1AJ37	2SS Coupe 1AK37	ZL1 Coupe 1AL37
			1LS	1LT	2LT	3LT	1LZ	1SS	2SS	1SE
SCG		<b>LPO, 6.2L Strut tower brace in Black</b> 1 - Not available with (SLN) Strut tower brace. LPO.	--	--	--	--	A/D	A/D <sup>1</sup>	A/D <sup>1</sup>	--
RTH		<b>Wheels, 20" (50.8 cm) 5-spoke Carbon Flash painted aluminum</b>	--	A	A	A	A	--	--	--
SCJ		<b>LPO, Suspension Handling Package, 1LE Track Pack - V8</b> 1 - Requires (F55) Magnetic Ride Control. Not available with (SG3) Lowering suspension upgrade system, LPO.	--	--	--	--	--	A/D <sup>1</sup>	A/D <sup>1</sup>	--
RQ9		<b>Wheels, 20" (50.8 cm) 5-split spoke premium Gray-painted, machined-face aluminum</b> 1 - Included and only available with (WRS) RS Package.	--	A <sup>1</sup>	A <sup>1</sup>	A <sup>1</sup>	A	--	--	--
SG3		<b>LPO, Lowering suspension upgrade system</b> 1 - Not available with (REG) 18" Silver-painted aluminum wheels. 2 - Not available with (F55) Magnetic Ride Control.	--	A/D <sup>1</sup>	A/D <sup>1</sup>	A/D <sup>1</sup>	A/D	A/D <sup>2</sup>	A/D <sup>2</sup>	--
WR1		<b>Wheels, 20" (50.8 cm) 5-split spoke polished forged with Black star center cap</b> 1 - Requires (WRS) RS Package.	--	A <sup>1</sup>	A <sup>1</sup>	A <sup>1</sup>	A	--	--	--
SC1		<b>LPO, Sway bar suspension upgrade system</b> 1 - Requires (SG3) Lowering suspension upgrade system, LPO. 2 - Requires (SG3) Lowering suspension upgrade system, LPO. Not available with (F55) Magnetic Ride Control.	--	--	--	--	A/D <sup>1</sup>	A/D <sup>2</sup>	A/D <sup>2</sup>	--
5K9		<b>Wheels, 20" (50.8 cm) Caliente</b> 1 - Requires (WRS) RS Package.	--	A <sup>1</sup>	A <sup>1</sup>	A <sup>1</sup>	A	--	--	--
F55		<b>Magnetic Ride Control</b> 1 - Deleted when (A1Z) ZL1 1LE Extreme Track Performance Package is ordered.	--	--	--	--	--	A	A	S <sup>1</sup>
Y4Q		<b>Heavy-Duty Cooling and Brake Package</b> , includes (KC4) external engine oil cooler and (J55) Brembo 4-piston front performance, 4-wheel antilock, 4-wheel disc brakes; also includes (V03) extra capacity cooling system when (MX0) automatic transmission is ordered 1 - Requires (WRS) RS Package or (RTH) 20" 5-spoke Carbon Flash painted aluminum wheels. Included with (A1X) 1LE Track Performance Package.	--	A <sup>1</sup>	A <sup>1</sup>	A <sup>1</sup>	--	--	--	--

ADDITIONAL OPTIONS										
Free Flow RPO Code	Ref. Only RPO Code	Description	1LS Coupe 1AG37	1LT Coupe 1AG37	2LT Coupe 1AH37	3LT Coupe 1AH37	LT1 Coupe 1AJ37	1SS Coupe 1AJ37	2SS Coupe 1AK37	ZL1 Coupe 1AL37
			1LS	1LT	2LT	3LT	1LZ	1SS	2SS	1SE
A1X		<p><b>1LE Track Performance Package</b>, includes (J55) Brembo 4-piston front, performance, 4-wheel antilock, 4-wheel disc brakes, (KC4) external engine oil cooler, (V03) extra capacity cooling system, (KNR) rear differential cooler, (KD1) transmission oil cooler, (Y4Q) Heavy-Duty Cooling and Brake Package, (FE3) performance suspension, (FTF) Black front splitter, (DSM) Satin Black hood wrap, (D5S) Satin Black rear blade spoiler, (R0F) 245/40ZR20 front and 275/35ZR20 rear, blackwall, summer-only, run-flat tires, (56Z) 20" x 8.5" front and 20" x 9.5" rear Black forged aluminum wheels, RS badging, RS lighting, (N26) sueded-wrapped, flat-bottom steering wheel and (KS9) sueded-wrapped shift knob, also includes (NPP) dual-mode exhaust and (V18) auxiliary engine coolant when (LGX) 3.6L V6 engine is ordered  <b>1 - Requires (H1T/H0Y) Jet Black interior and (MN6) 6-speed manual transmission. Not available with A9B, B9M, P3H, PDL, PDN, WRS; any other wheels; the following Stripes: BO3, C2U, C3O, DUU, DUV, DW7; and the following LPOs: 5JX, 5V5, 5VM, 5ZB, 5ZD, 5ZU, 5ZV, 5ZW, 5ZZ, PCK, PCR, PCY, PCX, R88, RMH, RXH, RY2, RZ3, RZB, SA7, SB2, SB7, SB9, SCY, SF8, SF9, SFA, SFC, SFZ, SG3, SHL, SHQ, SKW, SL2, SNB, SNC, SNE, SNG, SNH, SNJ, SNM, SNP, SNQ, SNS, VPO, VPW, VTD, VTF, WGL.</b></p>	--	A <sup>1</sup>	A <sup>1</sup>	A <sup>1</sup>	--	--	--	--
56R		<p><b>Wheels</b>, 20" x 8.5" (50.8 cm x 21.6 cm) front and 20" x 9.5" (50.8 cm x 24.1 cm) rear 5-split spoke premium Gray-painted machined-face aluminum</p>	--	--	--	--	--	A	A	--



ADDITIONAL OPTIONS										
Free Flow RPO Code	Ref. Only RPO Code	Description	1LS Coupe	1LT Coupe	2LT Coupe	3LT Coupe	LT1 Coupe	1SS Coupe	2SS Coupe	ZL1 Coupe
			1AG37	1AG37	1AH37	1AH37	1AJ37	1AJ37	1AK37	1AL37
			1LS	1LT	2LT	3LT	1LZ	1SS	2SS	1SE
A1Y		<p><b>SS 1LE Track Performance Package</b>, includes (J6M) Brembo Red, 6-piston front monobloc calipers, 4-piston rear calipers, 2-piece rotors, performance, 4-wheel antilock, 4-wheel disc brakes, (G96) electronic limited slip differential, (NPP) dual-mode performance exhaust, (F55) Magnetic Ride Control, (FE4) performance suspension, (FTJ) Black front splitter, (DSM) Satin Black hood wrap, (D5S) Satin Black rear blade spoiler, (R0G) 285/30R20 front and 305/30R20 rear, blackwall, summer-only tires, (RSK) 20" x 10" front and 20" x 11" rear Satin Graphite forged aluminum wheels, (AQJ) RECARO performance front bucket seats, (N26) sueded-wrapped, flat-bottom steering wheel and (KS9) sueded-wrapped shift knob, also includes (HRD) 2.85 rear axle ratio when (MX0) automatic transmission is ordered <b>1 - Also includes (UV6) Head-Up Display. Requires (H1T) Jet Black interior. Not available with A9B, J6F, J6L, PDL; any other wheels; the following Stripes: BO3, BO4, C2U, DUV, DW7, DW8; and the following LPOs: 5LQ, 5V5, 5VM, 5ZB, 5ZD, 5ZU, 5ZV, 5ZW, 5ZZ, PCK, PCR, PCX, RMH, RXJ, RY2, RZ3, S0V, SB2, SB3, SB7, SB9, SC1, SCJ, SF8, SF9, SFA, SFC, SFZ, SG3, SHQ, SL2, SNB, SNC, SNE, SNG, SNH, SNJ, SNM, SNP, SNQ, SNS, VPO, VPW, VTD, WGL.</b></p> <p><b>2 - Requires (H0Y) Jet Black interior. Not available with A9B, J6F, J6L, PDL, PDN; any other wheels; the following Stripes: BO3, BO4, C2U, DUV, DW7, DW8; and the following LPOs: 5LQ, 5V5, 5VM, 5ZB, 5ZD, 5ZU, 5ZV, 5ZW, 5ZZ, PCK, PCR, PCX, RMH, RXJ, RY2, RZ3, S0V, SB2, SB3, SB7, SB9, SC1, SCJ, SF8, SF9, SFA, SFC, SFZ, SG3, SHQ, SL2, SNB, SNC, SNE, SNG, SNH, SNJ, SNM, SNP, SNQ, SNS, VPO, VPW, VTD, WGL.</b></p>	--	--	--	--	--	A <sup>1</sup>	A <sup>2</sup>	--
56W		<p><b>Wheels</b>, 20" x 8.5" (50.8 cm x 21.6 cm) front and 20" x 9.5" (50.8 cm x 24.1 cm) rear 5-spilt spoke bright Silver-painted aluminum</p>	--	--	--	--	--	A	A	--
56V		<p><b>Wheels</b>, 20" x 8.5" (50.8 cm x 21.6 cm) front and 20" x 9.5" (50.8 cm x 24.1 cm) rear 5-spoke Carbon Flash painted aluminum</p>	--	--	--	--	--	A	A	--

ADDITIONAL OPTIONS										
Free Flow RPO Code	Ref. Only RPO Code	Description	1LS Coupe	1LT Coupe	2LT Coupe	3LT Coupe	LT1 Coupe	1SS Coupe	2SS Coupe	ZL1 Coupe
			1AG37	1AG37	1AH37	1AH37	1AJ37	1AJ37	1AK37	1AL37
			1LS	1LT	2LT	3LT	1LZ	1SS	2SS	1SE
A1Z		<b>ZL1 1LE Extreme Track Performance Package</b> , includes (FEA) Performance Suspension with DSSV dampers, Red calipers, (DSM) Satin Black hood wrap, (CFW) exposed Carbon Fiber weave hood insert, (T42) exposed weave carbon fiber rear spoiler, low-gloss Black outside rearview mirrors, dark tail lamps, front dive planes, unique front splitter with lower DRL deleted, (R6O) 305/30R19 front and 325/30R19 rear, blackwall, summer-only tires, (PKJ) 19" x 11" front and 19" x 12" rear low gloss Black-painted forged aluminum wheels, (A62) rear fixed seat, and specific ratios when 6-speed manual transmission is ordered <b>1 - Not available with (CF5) power sunroof, any other wheels, (DVV) Black Metallic Center Stripe; and the following LPOs: 6ZQ, PDX, RNX, RWJ, SL1, VDN, VGS, VRU.</b>	--	--	--	--	--	--	--	A <sup>1</sup>
57W		<b>Wheels</b> , 20" x 8.5" (50.8 cm x 21.6 cm) front and 20" x 9.5" (50.8 cm x 24.1 cm) rear 5-split spoke polished forged with Black star center cap	--	--	--	--	--	A	A	--
57V		<b>Wheels</b> , 20" x 8.5" (50.8 cm x 21.6 cm) front and 20" x 9.5" (50.8 cm x 24.1 cm) rear Caliente	--	--	--	--	--	A	A	--
MX0		<b>Transmission</b> , 8-speed automatic, includes transmission oil cooler and (BTV) remote vehicle starter system <b>1 - Requires (LTG) 2.0L Turbo engine.</b>	A	A <sup>1</sup>	A <sup>1</sup>	A <sup>1</sup>	--	--	--	--
MX0		<b>Transmission</b> , 10-speed automatic, includes transmission oil cooler and (BTV) remote vehicle starter system <b>1 - Requires (LGX) 3.6L V6 engine.</b>	--	A <sup>1</sup>	A <sup>1</sup>	A <sup>1</sup>	A	A	A	A

ADDITIONAL OPTIONS									
Free Flow RPO Code	Ref. Only RPO Code	Description	1LT	2LT	3LT	LT1	1SS	2SS	ZL1
			Convertible	Convertible	Convertible	Convertible	Convertible	Convertible	Convertible
			1AG67	1AH67	1AH67	1AJ67	1AJ67	1AK67	1AL67
			1LT	2LT	3LT	1LZ	1SS	2SS	1SE
Y3W		<b>Technology Package</b> , includes (IOS) Chevrolet Infotainment 3 Plus system, 8" diagonal HD color touchscreen and (UQA) Bose premium speaker system	A	A	--	A	--	--	--
IOT		<b>Audio system</b> , Chevrolet Infotainment 3 Premium system with connected Navigation, 8" diagonal HD color touchscreen, AM/FM stereo, Bluetooth audio streaming for 2 active devices, Apple CarPlay and Android Auto capable, enhanced voice recognition, additional memory for in-vehicle apps, cloud connected personalization for select infotainment and vehicle settings. Subscription required for enhanced and connected services after trial period.	--	--	A	--	--	A	A
BRJ		<b>Adrenaline Red Interior Package</b> , includes Black interior with Adrenaline Red front seat inserts, door inserts and stitching on front seats, doors, steering wheel, shifter and center console <b>1 - Not available with exterior color (G16) Crush, (GKK) Riverside Blue Metallic or (GKO) Shock.</b>	--	A <sup>1</sup>	A <sup>1</sup>	--	--	A <sup>1</sup>	--
BRD		<b>Ceramic White Interior Package</b> , includes Black interior with Ceramic White front seat inserts, door inserts and stitching on front seats, doors, steering wheel, shifter and center console	--	A	A	--	--	A	--
3DL		<b>Interior trim</b> , carbon fiber instrument panel molding	--	--	--	--	--	--	A
2F5		<b>Knee pads</b> , Red <b>1 - Not available with (H01) Kalahari interior.</b>	A	A <sup>1</sup>	A <sup>1</sup>	A	A	A <sup>1</sup>	A
5V6		<b>LPO, Black Interior Appearance Package</b> , includes (WGT) Black Interior Trim Kit, door accent trim, LPO and (S0U) Black sueded knee pads, LPO	A/D	A/D	--	A/D	A/D	--	--
PCX		<b>LPO, Camaro Logo Package</b> , includes (SH1) Embroidered center console lid with Camaro badge, LPO, (VYW) premium carpeted floor mats with Camaro logo, LPO and (RIN) Camaro logo fender badge, LPO <b>1 - Not available with CG3, PCN, SFZ, SH2, VTF.</b> <b>2 - Not available with BRJ, CG3, H01, PCN, SFZ, SH2, VTF.</b>	A/D <sup>1</sup>	A/D <sup>2</sup>	A/D <sup>2</sup>	--	A/D <sup>1</sup>	A/D <sup>2</sup>	--

ADDITIONAL OPTIONS									
Free Flow RPO Code	Ref. Only RPO Code	Description	1LT	2LT	3LT	LT1	1SS	2SS	ZL1
			Convertible	Convertible	Convertible	Convertible	Convertible	Convertible	Convertible
			1AG67	1AH67	1AH67	1AJ67	1AJ67	1AK67	1AL67
			1LT	2LT	3LT	1LZ	1SS	2SS	1SE
PCN		<b>LPO, Winter/Summer Floor Mats Package</b> , includes (VYW) Premium carpeted floor mats, LPO and (VAV) All-weather floor mats, LPO 1 - Not available with PCX, VQG. 2 - Not available with H01, PCX, VQG. 3 - Not available with (VQG) Weather Protection Package, LPO.	A/D <sup>1</sup>	A/D <sup>2</sup>	A/D <sup>2</sup>	A/D <sup>3</sup>	A/D <sup>1</sup>	A/D <sup>2</sup>	--
VQG		<b>LPO, Weather Protection Package</b> , includes (VAV) All-weather floor mats, LPO and (VRV) Body-color painted splash guards, LPO 1 - Not available with (5VM/VTD) Ground Effects Package, LPOs or exterior color (G16) Crush.	A/D <sup>1</sup>	A/D <sup>1</sup>	A/D <sup>1</sup>	A/D <sup>1</sup>	A/D <sup>1</sup>	A/D <sup>1</sup>	--
PDX		<b>LPO, ZL1 Protection Package</b> , includes (W1V) Premium carpeted floor mats with ZL1 logo, LPO and (VGS) Outdoor vehicle cover, Gray with ZL1 logo, LPO	--	--	--	--	--	--	A/D
W2D		<b>LPO, Cargo net</b>	A/D	A/D	A/D	A/D	A/D	A/D	A/D
SH1		<b>LPO, Embroidered center console lid</b> with Camaro badge 1 - Not available with (H01) Kalahari interior or (BRJ) Adrenaline Red Interior Accent Trim Package.	A/D	A/D <sup>1</sup>	A/D <sup>1</sup>	A/D	A/D	A/D <sup>1</sup>	--
VTF		<b>LPO, Embroidered center console lid</b> with RS or SS logo 1 - Requires (WRS) RS Package. 2 - Requires (WRS) RS Package. Not available with (H01) Kalahari interior or (BRJ) Adrenaline Red Interior Accent Trim Package. 3 - Not available with (H01) Kalahari interior or (BRJ) Adrenaline Red Interior Accent Trim Package.	A/D <sup>1</sup>	A/D <sup>2</sup>	A/D <sup>2</sup>	--	A/D	A/D <sup>3</sup>	--
SH2		<b>LPO, Embroidered center console lid</b> , Chevrolet Performance logo 1 - Not available with SH1, VTF. 2 - Not available with H01, SH1, VTF. 3 - Not available with (SH1) Embroidered center console lid with Camaro badge, LPO.	A/D <sup>1</sup>	A/D <sup>2</sup>	A/D <sup>2</sup>	A/D <sup>3</sup>	A/D <sup>1</sup>	A/D <sup>2</sup>	A/D
VYW		<b>LPO, Floor mats</b> , premium carpeted with Camaro logo 1 - Not available with (H01) Kalahari interior.	A/D	A/D <sup>1</sup>	A/D <sup>1</sup>	A/D	A/D	A/D <sup>1</sup>	--
W1V		<b>LPO, Floor mats</b> , premium carpeted with ZL1 logo	--	--	--	--	--	--	A/D
VAV		<b>LPO, All-weather floor mats</b>	A/D	A/D	A/D	A/D	A/D	A/D	A/D
S00		<b>LPO, Illuminated footwells</b>	--	--	A/D	--	--	A/D	--
WGT		<b>LPO, Black Interior Trim Kit</b> , door accent trim	A/D	A/D	--	A/D	A/D	--	--

ADDITIONAL OPTIONS									
Free Flow RPO Code	Ref. Only RPO Code	Description	1LT	2LT	3LT	LT1	1SS	2SS	ZL1
			Convertible	Convertible	Convertible	Convertible	Convertible	Convertible	Convertible
			1AG67	1AH67	1AH67	1AJ67	1AJ67	1AK67	1AL67
			1LT	2LT	3LT	1LZ	1SS	2SS	1SE
WGK		<b>LPO, Red Interior Trim Kit</b> , door accent trim 1 - Not available with (H01) Kalahari interior or (BRJ) Adrenaline Red Interior Accent Trim Package.	A/D	A/D <sup>1</sup>	--	A/D	A/D	--	--
VTG		<b>LPO, White Interior Trim Kit</b> , door accent trim 1 - Not available with (H01) Kalahari interior.	A/D	A/D <sup>1</sup>	--	A/D	A/D	--	--
S0U		<b>LPO, Black sueded knee pads</b>	A/D	A/D	A/D	A/D	A/D	A/D	--
WGL		<b>LPO, Kalahari knee pads</b> 1 - Not available with (H72/H17) Medium Ash Gray interior. 2 - Not available with (BRJ/BRD) Interior Accent Trim Packages or (H17) Medium Ash Gray interior.	A/D <sup>1</sup>	A/D <sup>2</sup>	A/D <sup>2</sup>	A/D <sup>1</sup>	A/D <sup>1</sup>	A/D <sup>2</sup>	--
WHA		<b>LPO, Red knee pads</b> 1 - Not available with (2F5) Red knee pads. 2 - Not available with (2F5) Red knee pads, (BRD) Ceramic White Interior Accent Trim Package or (H01) Kalahari leather interior trim.	A/D <sup>1</sup>	A/D <sup>2</sup>	A/D <sup>2</sup>	A/D <sup>1</sup>	A/D <sup>1</sup>	A/D <sup>2</sup>	--
S0V		<b>LPO, White knee pads</b> 1 - Not available with (BRJ) Adrenaline Red Interior Accent Trim Package or (H01) Kalahari interior.	A/D	A/D <sup>1</sup>	A/D <sup>1</sup>	A/D	A/D	A/D <sup>1</sup>	--
5KP		<b>LPO, Illuminated sill plates</b>	A/D	A/D	--	A/D	A/D	--	--
VEB		<b>LPO, Sport pedals kit</b> 1 - Not available with (JF5) sport alloy pedals.	A/D <sup>1</sup>	A/D <sup>1</sup>	A/D <sup>1</sup>	A/D <sup>1</sup>	A/D <sup>1</sup>	A/D <sup>1</sup>	--
5YN		<b>LPO, Carbon Fiber-look shift knob (auto) or Carbon Fiber-look shift knob medallion (manual)</b>	A/D	A/D	A/D	A/D	A/D	A/D	A/D
SA7		<b>LPO, Suede shift knob and boot kit</b> 1 - Not available with (KS9) sueded microfiber-wrapped shift knob or (MX0) automatic transmission.	A/D <sup>1</sup>	A/D <sup>1</sup>	A/D <sup>1</sup>	--	--	--	--
JF5		<b>Pedals</b> , sport alloy	A	A	A	A	A	A	S
3F9		<b>Seat belt color</b> , Red	A	A	A	A	A	A	A
AQJ		<b>Seats</b> , front bucket, RECARO performance 1 - Requires (H1T/H0Y) Jet Black interior trim.	A <sup>1</sup>	A <sup>1</sup>	A <sup>1</sup>	A <sup>1</sup>	A <sup>1</sup>	A <sup>1</sup>	S
N26		<b>Steering wheel</b> , 3-spoke, sueded microfiber-wrapped, flat-bottom 1 - Requires (MX0) automatic transmission.	A	A	A	A <sup>1</sup>	A	A	S

ADDITIONAL OPTIONS										
Free Flow RPO Code	Ref. Only RPO Code	Description	1LT	2LT	3LT	LT1	1SS	2SS	ZL1	
			Convertible	Convertible	Convertible	Convertible	Convertible	Convertible	Convertible	Convertible
			1AG67	1AH67	1AH67	1AJ67	1AJ67	1AK67	1AL67	
			1LT	2LT	3LT	1LZ	1SS	2SS	1SE	
WBL		<b>Redline Edition</b> , includes (SRI/58E) 20" Black-painted aluminum wheels with Red accents, (CG6) Black Camaro fender badge with Red outline, (VUP) Redline Edition graphics, LPO, (3F9) Red seat belt color, (2F5) Red knee pads and (VYW) Premium carpeted floor mats, LPO 1 - Requires (WRS) RS Package, (19T) Black convertible top, (H1T/H0Y) Jet Black interior and exterior color (G9K) Satin Steel Metallic, (GAZ) Summit White or (GBA) Black. Not available with P3H, RO1, RO2, RZB. 2 - Requires (19T) Black convertible top, (H1T/H0Y) Jet Black interior and exterior color (G9K) Satin Steel Metallic, (GAZ) Summit White or (GBA) Black.	A <sup>1</sup>	A <sup>1</sup>	A <sup>1</sup>	A <sup>1</sup>	A <sup>2</sup>	A <sup>2</sup>	--	
WRS		<b>RS Package</b> , includes dark tint LED tail lamps, RS-specific grilles, and Black front and rear bowties 1 - Also includes (RQ9) 20" 5-split spoke premium Gray-painted, machined-face aluminum wheels. Wheels are upgradeable to RTJ/RTH/WR1/5K9, or upgraded to package specific wheels.	A <sup>1</sup>	A <sup>1</sup>	A <sup>1</sup>	A	--	--	--	
A9B		<b>Satin Black Appearance Package</b> , includes Satin Black outside mirrors and rear spoiler	A	A	A	A	A	A	--	
PDL		<b>NEW! Wild Cherry Design Package 1</b> , includes (RY2) Black Metallic Hash Mark Stripes, LPO (5ZB) Camaro logo wheel center caps, LPO, (WR1/57W) 20" 5-split spoke polished forged wheels and (VYW) premium carpeted floor mats with Camaro logo, LPO 1 - Also includes (CG3) Camaro fender badge emblem. Requires exterior color (GSK) Wild Cherry Tintcoat and (WRS) RS Package. Wheel RPO is WR1. 2 - Requires exterior color (GSK) Wild Cherry Tintcoat and (WRS) RS Package. Wheel RPO is WR1. 3 - Also includes (CG3) Camaro fender badge emblem. Requires exterior color (GSK) Wild Cherry Tintcoat. Wheel RPO is 57W.	A <sup>1</sup>	A <sup>1</sup>	A <sup>1</sup>	A <sup>2</sup>	A <sup>3</sup>	A <sup>3</sup>	--	

ADDITIONAL OPTIONS									
Free Flow RPO Code	Ref. Only RPO Code	Description	1LT	2LT	3LT	LT1	1SS	2SS	ZL1
			Convertible	Convertible	Convertible	Convertible	Convertible	Convertible	Convertible
			1AG67	1AH67	1AH67	1AJ67	1AJ67	1AK67	1AL67
			1LT	2LT	3LT	1LZ	1SS	2SS	1SE
PDN		<b>NEW! Wild Cherry Design Package 2</b> , includes (PDL) Wild Cherry Design Package 1, (SOU) Black sueded knee pads, LPO, (VQL) Fuel filler door in Black with visible carbon fiber insert, LPO, (VTD) Carbon Flash Metallic, second generation Ground Effects, LPO and (DUU/DUV/DW8) Center Stripe 1 - Requires exterior color (GSK) Wild Cherry Tintcoat and the selection of either (DUU) Black Center Stripe or (DUV) Silver Center Stripe. 2 - Requires exterior color (GSK) Wild Cherry Tintcoat and the selection of either (DW8) Black Metallic Center Stripe or (DUV) Silver Center Stripe.	--	A <sup>1</sup>	A <sup>1</sup>	--	--	A <sup>2</sup>	--
P3H		<b>Bowties</b> , Black, front and rear 1 - Not available with (WRS) RS Package.	A <sup>1</sup>	A <sup>1</sup>	A <sup>1</sup>	--	--	--	--
CG3		<b>Emblem</b> , Camaro fender badge 1 - Not available with (WBL) Redline Edition.	A <sup>1</sup>	A <sup>1</sup>	A <sup>1</sup>	--	A <sup>1</sup>	A <sup>1</sup>	--
CFW		<b>Hood insert</b> , visible Carbon Fiber weave	--	--	--	--	--	--	A
VK3		<b>License plate bracket</b> , front 1 - Will be forced on orders with ship-to states that require a front license plate.	A <sup>1</sup>	A <sup>1</sup>	A <sup>1</sup>	A <sup>1</sup>	A <sup>1</sup>	A <sup>1</sup>	A <sup>1</sup>
PCR		<b>NEW! LPO, Satin Black Front Splitter/Side Rockers Package</b> , includes (STI) Satin Black rocker moldings, LPO and (SL2) Satin Black, second generation front fascia extension, LPO 1 - Not available with 5VM, RMH, RZ3 or VTD.	A/D <sup>1</sup>	A/D <sup>1</sup>	A/D <sup>1</sup>	A/D <sup>1</sup>	A/D <sup>1</sup>	A/D <sup>1</sup>	--
PCK		<b>NEW! LPO, Black Accent Exterior Package</b> , includes (PCR) Satin Black Front Splitter/Side Rockers Package, LPO and (5JX/57S) 20" 5-split spoke Satin Black wheels, LPO 1 - Requires (WRS) RS Package. Not available with SFE, 5VM, RMH, RZ3 or VTD. 2 - Not available with SFE, 5VM, RMH, RZ3 or VTD.	A/D <sup>1</sup>	A/D <sup>1</sup>	A/D <sup>1</sup>	A/D <sup>1</sup>	A/D <sup>2</sup>	A/D <sup>2</sup>	--
PCY		<b>NEW! LPO, Red Accent Exterior Package</b> , includes (SHU) Satin Black Hood Stripe with Red Hot Hash Mark, LPO and (RZB) Black lower grille with Red Hot inserts 1 - Not available with WBL, RO1, RO2 or exterior colors (G16) Crush, (GKK) Riverside Blue Metallic, (GKO) Shock or (GSK) Wild Cherry Tintcoat.	A/D <sup>1</sup>	A/D <sup>1</sup>	A/D <sup>1</sup>	--	--	--	--
PCJ		<b>LPO, Dark Tint Rear Lighting Package</b> , includes (62O) Clear CHMSL, LPO and (SCY) Dark finish tail lamps, LPO 1 - Not available with (WRS) RS Package or (B9M) Dark tint tail lamps.	A/D <sup>1</sup>	A/D <sup>1</sup>	A/D <sup>1</sup>	--	--	--	--

ADDITIONAL OPTIONS										
Free Flow RPO Code	Ref. Only RPO Code	Description	1LT	2LT	3LT	LT1	1SS	2SS	ZL1	
			Convertible	Convertible	Convertible	Convertible	Convertible	Convertible	Convertible	Convertible
			1AG67	1AH67	1AH67	1AJ67	1AJ67	1AK67	1AL67	
			1LT	2LT	3LT	1LZ	1SS	2SS	1SE	
PCL		<b>LPO, Black Wheel Lug Nuts and Locks Package</b> , includes (SPZ) Black wheel locks, LPO and (SPY) Black lug nuts, LPO 1 - Not available with (SFE) wheel locks, LPO.	A/D <sup>1</sup>	A/D <sup>1</sup>	A/D <sup>1</sup>	A/D <sup>1</sup>	A/D <sup>1</sup>	A/D <sup>1</sup>	A/D <sup>1</sup>	
5VM		<b>LPO, Ground Effects Package</b> 1 - Requires (WRS) RS Package and exterior color (G9K) Satin Steel Metallic, (GAZ) Summit White or (GBA) Black. Not available with RMH, RZ3, VRV, VTD. 2 - Requires exterior color (G9K) Satin Steel Metallic, (GAZ) Summit White or (GBA) Black. Not available with RMH, RZ3, VRV, VTD.	A/D <sup>1</sup>	A/D <sup>1</sup>	A/D <sup>1</sup>	A/D <sup>2</sup>	A/D <sup>2</sup>	A/D <sup>2</sup>	--	
VTD		<b>LPO, Ground effects</b> , Carbon Flash Metallic, second generation 1 - Not available with 5VM, RMH, RZ3 or VRV.	A/D <sup>1</sup>	A/D <sup>1</sup>	A/D <sup>1</sup>	A/D <sup>1</sup>	A/D <sup>1</sup>	A/D <sup>1</sup>	--	
RIK		<b>LPO, Black front and rear bowtie emblems</b> 1 - Not available with (WRS) RS Package, (R88) Front illuminated and rear non-illuminated bowtie emblems in Black, LPO or (P3H) Black front and rear bowties.	A/D <sup>1</sup>	A/D <sup>1</sup>	A/D <sup>1</sup>	--	--	--	--	
R88		<b>LPO, Front illuminated and rear non-illuminated bowtie emblems in Black</b> 1 - Not available with (RIK) Black front and rear bowtie emblems, LPO or (P3H) Black front and rear bowties.	A/D <sup>1</sup>	A/D <sup>1</sup>	A/D <sup>1</sup>	A/D	--	--	--	
VTA		<b>NEW! LPO, Black exhaust tip</b> 1 - Not available with 5VM, VTD, NPP.	A/D <sup>1</sup>	A/D <sup>1</sup>	A/D <sup>1</sup>	--	A/D <sup>1</sup>	A/D <sup>1</sup>	--	
5VF		<b>NEW! LPO, Carbon fiber exhaust tip</b> 1 - Not available with 5VM, VTD, NPP.	A/D <sup>1</sup>	A/D <sup>1</sup>	A/D <sup>1</sup>	--	A/D <sup>1</sup>	A/D <sup>1</sup>	--	
RZ3		<b>LPO, Front splitter</b> 1 - Requires (WRS) RS Package and exterior color (G9K) Satin Steel Metallic, (GAZ) Summit White or (GBA) Black. Not available with 5VM, RMH or VTD. 2 - Requires exterior color (G9K) Satin Steel Metallic, (GAZ) Summit White or (GBA) Black. Not available with 5VM, RMH or VTD.	A/D <sup>1</sup>	A/D <sup>1</sup>	A/D <sup>1</sup>	A/D <sup>2</sup>	A/D <sup>2</sup>	A/D <sup>2</sup>	--	
SL2		<b>LPO, Front fascia extension</b> , Satin Black, second generation 1 - Not available with 5VM, RMH, RZ3 or VTD.	A/D <sup>1</sup>	A/D <sup>1</sup>	A/D <sup>1</sup>	A/D <sup>1</sup>	A/D <sup>1</sup>	A/D <sup>1</sup>	--	
RIN		<b>LPO, Camaro logo fender badge</b> 1 - Not available with CG3, SFZ, WBL.	A/D <sup>1</sup>	A/D <sup>1</sup>	A/D <sup>1</sup>	--	A/D <sup>1</sup>	A/D <sup>1</sup>	--	
SFZ		<b>LPO, Camaro fender badge</b> , Black 1 - Not available with CG3, RIN, WBL.	A/D <sup>1</sup>	A/D <sup>1</sup>	A/D <sup>1</sup>	--	A/D <sup>1</sup>	A/D <sup>1</sup>	--	
VQL		<b>LPO, Fuel filler door in Black with visible carbon fiber insert</b>	A/D	A/D	A/D	A/D	A/D	A/D	A/D	



ADDITIONAL OPTIONS										
Free Flow RPO Code	Ref. Only RPO Code	Description	1LT	2LT	3LT	LT1	1SS	2SS	ZL1	
			Convertible	Convertible	Convertible	Convertible	Convertible	Convertible	Convertible	Convertible
			1AG67	1AH67	1AH67	1AJ67	1AJ67	1AK67	1AL67	
			1LT	2LT	3LT	1LZ	1SS	2SS	1SE	
VTU		LPO, Fuel filler door in Black with Gloss Black insert	A/D	A/D	A/D	A/D	A/D	A/D	A/D	
W0D		LPO, Fuel filler door in Black with Red Hot insert 1 - Not available with exterior color (G16) Crush, (GKK) Riverside Blue Metallic, (GKO) Shock or (GSK) Wild Cherry Tintcoat.	A/D <sup>1</sup>	A/D <sup>1</sup>	A/D <sup>1</sup>	A/D <sup>1</sup>	A/D <sup>1</sup>	A/D <sup>1</sup>	A/D <sup>1</sup>	
W0E		LPO, Fuel filler door in Black with Silver Ice Metallic insert	A/D	A/D	A/D	A/D	A/D	A/D	A/D	
RZB		LPO, Black lower grille with Red Hot inserts 1 - Not available with RO1, RO2 or exterior colors (G16) Crush, (GKK) Riverside Blue Metallic, (GKO) Shock or (GSK) Wild Cherry Tintcoat.	A/D <sup>1</sup>	A/D <sup>1</sup>	A/D <sup>1</sup>	--	--	--	--	
RO1		LPO, Black lower grille with Silver-painted inserts 1 - Not available with (RO2) Black lower grille with Gloss Black inserts, LPO.	A/D <sup>1</sup>	A/D <sup>1</sup>	A/D <sup>1</sup>	--	--	--	--	
RO2		LPO, Black lower grille with Gloss Black inserts 1 - Not available with (RO1) Black lower grille with Silver-painted inserts, LPO.	A/D <sup>1</sup>	A/D <sup>1</sup>	A/D <sup>1</sup>	--	--	--	--	
STI		LPO, Satin Black rocker moldings 1 - Not available with 5VM, RMH, RZ3, VRV, VTD.	A/D <sup>1</sup>	A/D <sup>1</sup>	A/D <sup>1</sup>	A/D <sup>1</sup>	A/D <sup>1</sup>	A/D <sup>1</sup>	--	
RMH		LPO, Front splitter, Carbon Flash Metallic 1 - Not available with 5VM, RZ3, VTD.	A/D <sup>1</sup>	A/D <sup>1</sup>	A/D <sup>1</sup>	A/D <sup>1</sup>	A/D <sup>1</sup>	A/D <sup>1</sup>	--	
VRV		LPO, Body-color painted splash guards 1 - Not available with 5VM, RMH, RZ3, STI, VTD or exterior colors (G16) Crush and (GKO) Shock.	A/D <sup>1</sup>	A/D <sup>1</sup>	A/D <sup>1</sup>	A/D <sup>1</sup>	A/D <sup>1</sup>	A/D <sup>1</sup>	--	
RY2		LPO, Black Metallic Hash Mark Stripes	A/D	A/D	A/D	A/D	A/D	A/D	--	
VPO		LPO, Gray Hash Mark Stripes	A/D	A/D	A/D	A/D	A/D	A/D	--	
SNG		LPO, Red Hash Mark Stripes 1 - Not available with exterior color (GSK) Wild Cherry Tintcoat.	A/D <sup>1</sup>	A/D <sup>1</sup>	A/D <sup>1</sup>	A/D <sup>1</sup>	A/D <sup>1</sup>	A/D <sup>1</sup>	--	
SF9		LPO, Blue Hash Mark Stripes 1 - Not available with exterior colors (G7C) Red Hot, (GKK) Riverside Blue Metallic or (GSK) Wild Cherry Tintcoat.	A/D <sup>1</sup>	A/D <sup>1</sup>	A/D <sup>1</sup>	A/D <sup>1</sup>	A/D <sup>1</sup>	A/D <sup>1</sup>	--	
SHQ		LPO, Silver Hash Mark Stripes	A/D	A/D	A/D	A/D	A/D	A/D	--	
SFC		LPO, White Pearl Hash Mark Stripes	A/D	A/D	A/D	A/D	A/D	A/D	--	
SHU		LPO, Satin Black Hood Stripe with Red Hot Hash Mark	A/D	A/D	A/D	A/D	A/D	A/D	--	

ADDITIONAL OPTIONS										
Free Flow RPO Code	Ref. Only RPO Code	Description	1LT	2LT	3LT	LT1	1SS	2SS	ZL1	
			Convertible	Convertible	Convertible	Convertible	Convertible	Convertible	Convertible	Convertible
			1AG67	1AH67	1AH67	1AJ67	1AJ67	1AK67	1AL67	
			1LT	2LT	3LT	1LZ	1SS	2SS	1SE	
SHS		LPO, Satin Black Hood Stripe with Silver Ice Metallic Hash Mark	A/D	A/D	A/D	A/D	A/D	A/D	--	
SB7		LPO, Red Spider Stripes 1 - Requires (19T) Black convertible top. Not available with exterior colors (G7C) Red Hot or (GSK) Wild Cherry Tintcoat or with (C3O/BO3/BO4/C2U) Rally Stripes.	A/D <sup>1</sup>	A/D <sup>1</sup>	A/D <sup>1</sup>	A/D <sup>1</sup>	A/D <sup>1</sup>	A/D <sup>1</sup>	--	
SB9		LPO, Black Spider Stripes 1 - Not available with (C3O/BO3/BO4/C2U) Rally Stripes.	A/D <sup>1</sup>	A/D <sup>1</sup>	A/D <sup>1</sup>	A/D <sup>1</sup>	A/D <sup>1</sup>	A/D <sup>1</sup>	--	
SNB		LPO, Silver Spider Stripes 1 - Not available with (C3O/BO3/BO4/C2U) Rally Stripes.	A/D <sup>1</sup>	A/D <sup>1</sup>	A/D <sup>1</sup>	A/D <sup>1</sup>	A/D <sup>1</sup>	A/D <sup>1</sup>	--	
SNC		LPO, White Pearl Spider Stripes 1 - Not available with exterior color (GAZ) Summit White or with (C3O/BO3/BO4/C2U) Rally Stripes.	A/D <sup>1</sup>	A/D <sup>1</sup>	A/D <sup>1</sup>	A/D <sup>1</sup>	A/D <sup>1</sup>	A/D <sup>1</sup>	--	
SNJ		LPO, Black Metallic Stinger Stripe 1 - Not available with (DUU/DUV/DW7/DW8) Center Stripe or (C3O/BO3/BO4/C2U) Rally Stripes.	A/D <sup>1</sup>	A/D <sup>1</sup>	A/D <sup>1</sup>	A/D <sup>1</sup>	A/D <sup>1</sup>	A/D <sup>1</sup>	--	
SFA		LPO, Red Stinger Stripe 1 - Not available with exterior color (G16) Crush, (G7C) Red Hot, (GKO) Shock or (GSK) Wild Cherry Tintcoat or with (DUU/DUV/DW7/DW8) Center Stripe or (C3O/BO3/BO4/C2U) Rally Stripes.	A/D <sup>1</sup>	A/D <sup>1</sup>	A/D <sup>1</sup>	A/D <sup>1</sup>	A/D <sup>1</sup>	A/D <sup>1</sup>	--	
SNE		LPO, Silver Stinger Stripe 1 - Not available with (DUU/DUV/DW7/DW8) Center Stripe or (C3O/BO3/BO4/C2U) Rally Stripes.	A/D <sup>1</sup>	A/D <sup>1</sup>	A/D <sup>1</sup>	A/D <sup>1</sup>	A/D <sup>1</sup>	A/D <sup>1</sup>	--	
SNM		LPO, White Pearl Stinger Stripe 1 - Not available with exterior color (GAZ) Summit White or with (DUU/DUV/DW7/DW8) Center Stripe or (C3O/BO3/BO4/C2U) Rally Stripes.	A/D <sup>1</sup>	A/D <sup>1</sup>	A/D <sup>1</sup>	A/D <sup>1</sup>	A/D <sup>1</sup>	A/D <sup>1</sup>	--	
SCY		LPO, Dark finish tail lamps 1 - Not available with (B9M) dark tint tail lamps or (WRS) RS Package.	A/D <sup>1</sup>	A/D <sup>1</sup>	A/D <sup>1</sup>	--	--	--	--	
RWH		LPO, Indoor vehicle cover, Black with Camaro logo	A/D	A/D	A/D	A/D	A/D	A/D	--	
RWH		LPO, Indoor vehicle cover, Black with ZL1 logo	--	--	--	--	--	--	A/D	
VDN		LPO, Indoor vehicle cover, Gray	A/D	A/D	A/D	A/D	A/D	A/D	A/D	
SL1		LPO, Indoor vehicle cover, Red	A/D	A/D	A/D	A/D	A/D	A/D	A/D	

ADDITIONAL OPTIONS									
Free Flow RPO Code	Ref. Only RPO Code	Description	1LT	2LT	3LT	LT1	1SS	2SS	ZL1
			Convertible 1AG67	Convertible 1AH67	Convertible 1AH67	Convertible 1AJ67	Convertible 1AJ67	Convertible 1AK67	Convertible 1AL67
			1LT	2LT	3LT	1LZ	1SS	2SS	1SE
RWJ		LPO, Outdoor vehicle cover, Black	A/D	A/D	A/D	A/D	A/D	A/D	A/D
VRU		LPO, Outdoor vehicle cover, Gray	A/D	A/D	A/D	A/D	A/D	A/D	A/D
RNX		LPO, Outdoor vehicle cover, Red	A/D	A/D	A/D	A/D	A/D	A/D	A/D
VGS		LPO, Outdoor vehicle cover, Gray, ZL1 logo	--	--	--	--	--	--	A/D
RXH		LPO, Silver RS wheel center caps 1 - Requires (WRS) RS Package. Not available with RTH, SHL.	A/D <sup>1</sup>	A/D <sup>1</sup>	A/D <sup>1</sup>	--	--	--	--
VW9		LPO, Black SS wheel center caps	--	--	--	--	A/D	A/D	--
RXJ		LPO, Silver SS wheel center caps 1 - Not available with 56H, 56V.	--	--	--	--	A/D <sup>1</sup>	A/D <sup>1</sup>	--
5ZB		LPO, Camaro logo wheel center caps 1 - Not available with RTH, SHL. 2 - Not available with (RTH) 20" 5-spoke Carbon Flash painted aluminum wheels. 3 - Not available with (56H) SS 20" (50.8 cm) 5-spoke gloss Black wheels with Red stripe, LPO. 4 - Not available with 56H, 56V.	A/D <sup>1</sup>	A/D <sup>1</sup>	A/D <sup>1</sup>	A/D <sup>2</sup>	A/D <sup>3</sup>	A/D <sup>4</sup>	--
5ZD		LPO, Wheel center caps, Performance 1 - Not available with SHL, SKW. 2 - Not available with 56H, 56M.	A/D <sup>1</sup>	A/D <sup>1</sup>	A/D <sup>1</sup>	A/D	A/D <sup>2</sup>	A/D <sup>2</sup>	--
SFE		LPO, Wheel locks 1 - (SFE) Wheel locks is included with all LPO wheels.	A/D <sup>1</sup>	A/D <sup>1</sup>	A/D <sup>1</sup>	A/D <sup>1</sup>	A/D <sup>1</sup>	A/D <sup>1</sup>	A/D
SPZ		LPO, Black wheel locks 1 - Not available with (SFE) wheel locks, LPO.	A/D <sup>1</sup>	A/D <sup>1</sup>	A/D <sup>1</sup>	A/D <sup>1</sup>	A/D <sup>1</sup>	A/D <sup>1</sup>	A/D <sup>1</sup>
SPY		LPO, Black lug nuts 1 - Not available with (SFE) wheel locks, LPO.	A/D <sup>1</sup>	A/D <sup>1</sup>	A/D <sup>1</sup>	A/D <sup>1</sup>	A/D <sup>1</sup>	A/D <sup>1</sup>	A/D <sup>1</sup>
SHL		LPO, 20" (50.8 cm) 5-spoke gloss Black wheels with Red outline stripe. When ordering SHL with other optional wheels, 2 complete sets of wheels are being ordered. Please ensure customer desires both sets of wheels before proceeding to place order with LPO wheels SHL. 1 - Includes (VWD) Gloss Black wheel center caps with Silver bowtie, LPO. Not available with (SFE) wheel locks, LPO or (REG) 18" Silver-painted aluminum wheels. 2 - Not available with (SFE) wheel locks, LPO.	A/D <sup>1</sup>	A/D <sup>1</sup>	A/D <sup>1</sup>	A/D <sup>2</sup>	--	--	--

ADDITIONAL OPTIONS										
Free Flow RPO Code	Ref. Only RPO Code	Description	1LT	2LT	3LT	LT1	1SS	2SS	ZL1	
			Convertible	Convertible	Convertible	Convertible	Convertible	Convertible	Convertible	Convertible
			1AG67	1AH67	1AH67	1AJ67	1AJ67	1AK67	1AL67	
			1LT	2LT	3LT	1LZ	1SS	2SS	1SE	
56H		<b>LPO, SS 20" (50.8 cm) 5-spoke gloss Black wheels with Red stripe.</b> When ordering 56H with other optional wheels, 2 complete sets of wheels are being ordered. Please ensure customer desires both sets of wheels before proceeding to place order with LPO wheels 56H. Includes (VWD) Gloss Black wheel center caps with Silver bowtie, LPO. 1 - Not available with (SFE) wheel locks, LPO.	--	--	--	--	A/D <sup>1</sup>	A/D <sup>1</sup>	--	
SKW		<b>LPO, 20" (50.8 cm) 5-split spoke machined-face wheels.</b> When ordering SKW with other optional wheels, 2 complete sets of wheels are being ordered. Please ensure customer desires both sets of wheels before proceeding to place order with LPO wheels SKW. 1 - Not available with (SFE) wheel locks, LPO or (REG) 18" Silver-painted aluminum wheels. 2 - Not available with (SFE) wheel locks, LPO.	A/D <sup>1</sup>	A/D <sup>1</sup>	A/D <sup>1</sup>	A/D <sup>2</sup>	--	--	--	
56M		<b>LPO, SS 20" (50.8 cm) 5-split spoke machined-face wheels.</b> When ordering 56M with other optional wheels, 2 complete sets of wheels are being ordered. Please ensure customer desires both sets of wheels before proceeding to place order with LPO wheels 56M. 1 - Not available with (SFE) wheel locks, LPO.	--	--	--	--	A/D <sup>1</sup>	A/D <sup>1</sup>	--	
5JX		<b>LPO, LT 20" (50.8 cm) 5-split spoke Satin Black wheels.</b> When ordering 5JX with other optional wheels, 2 complete sets of wheels are being ordered. Please ensure customer desires both sets of wheels before proceeding to place order with LPO wheels 5JX. 1 - Not available with (SFE) wheel locks, LPO or (REG) 18" Silver-painted aluminum wheels. 2 - Not available with (SFE) wheel locks, LPO.	A/D <sup>1</sup>	A/D <sup>1</sup>	A/D <sup>1</sup>	A/D <sup>2</sup>	--	--	--	
57S		<b>LPO, SS 20" (50.8 cm) 5-split spoke Satin Black wheels.</b> When ordering 57S with other optional wheels, 2 complete sets of wheels are being ordered. Please ensure customer desires both sets of wheels before proceeding to place order with LPO wheels 57S. 1 - Not available with (SFE) wheel locks, LPO.	--	--	--	--	A/D <sup>1</sup>	A/D <sup>1</sup>	--	
VLN		<b>LPO, Windscreen</b>	A/D	A/D	A/D	A/D	A/D	A/D	A/D	
J6L		<b>Calipers, Orange-painted</b> 1 - Includes (J55) Brembo 4-piston front, performance brakes. Not available REG/5K9 wheels. 2 - Not available with (5K9) 20" Caliente wheels. 3 - Not available with (57V) 20" Caliente wheels.	A <sup>1</sup>	A <sup>1</sup>	A <sup>1</sup>	A <sup>2</sup>	A <sup>3</sup>	A <sup>3</sup>	--	

ADDITIONAL OPTIONS									
Free Flow RPO Code	Ref. Only RPO Code	Description	1LT	2LT	3LT	LT1	1SS	2SS	ZL1
			Convertible	Convertible	Convertible	Convertible	Convertible	Convertible	Convertible
			1AG67	1AH67	1AH67	1AJ67	1AJ67	1AK67	1AL67
			1LT	2LT	3LT	1LZ	1SS	2SS	1SE
J6F		<b>Calipers, Red-painted</b> 1 - Includes (J55) Brembo 4-piston front, performance brakes. Not available REG/5K9 wheels. 2 - Not available with (5K9) 20" Caliente wheels. 3 - Not available with (57V) 20" Caliente wheels.	A <sup>1</sup>	A <sup>1</sup>	A <sup>1</sup>	A <sup>2</sup>	A <sup>3</sup>	A <sup>3</sup>	--
DUU		<b>Black Center Stripe</b> 1 - Not available with exterior color (GBA) Black.	A <sup>1</sup>	A <sup>1</sup>	A <sup>1</sup>	--	--	--	--
DW8		<b>Black Metallic Center Stripe</b>	--	--	--	A	A	A	--
DVV		<b>Black Metallic Center Stripe</b> 1 - Decklid and spoiler only, Not available with (CFW) Carbon Fiber weave hood insert.	--	--	--	--	--	--	A <sup>1</sup>
FE9		<b>Emissions, Federal requirements</b>	A	A	A	A	A	A	A
YF5		<b>Emissions, California state requirements</b>	A	A	A	A	A	A	A
DUV		<b>Silver Center Stripe</b>	A	A	A	A	A	A	--
NE1		<b>Emissions, Connecticut, Delaware, Maine, Maryland, Massachusetts, New Jersey, New York, Oregon, Pennsylvania, Rhode Island, Vermont and Washington state requirements</b>	A	A	A	A	A	A	A
DW7		<b>White Pearl Center Stripe</b> 1 - Not available with exterior color (GAZ) Summit White.	A <sup>1</sup>	A <sup>1</sup>	A <sup>1</sup>	A <sup>1</sup>	A <sup>1</sup>	A <sup>1</sup>	--
C3O		<b>Black Rally Stripes</b> 1 - Not available with exterior color (GBA) Black.	A <sup>1</sup>	A <sup>1</sup>	A <sup>1</sup>	--	--	--	--
NB8		<b>Emissions override, California</b> (allows a dealer in states that require California emissions - California, Connecticut, Delaware, Maryland, Massachusetts, New Jersey, New York, Oregon, Pennsylvania, Rhode Island or Washington - to order Federal emissions for a vehicle that will be registered in a state that has Federal emission requirements). Do not use for vehicles that will be registered in California, Connecticut, Delaware, Maryland, Massachusetts, New Jersey, New York, Oregon, Pennsylvania, Rhode Island or Washington. 1 - Requires (FE9) Federal emissions requirements. Not available in Maine or Vermont.	A <sup>1</sup>	A <sup>1</sup>	A <sup>1</sup>	A <sup>1</sup>	A <sup>1</sup>	A <sup>1</sup>	A <sup>1</sup>
BO4		<b>Black Metallic Rally Stripes</b>	--	--	--	A	A	A	--

ADDITIONAL OPTIONS										
Free Flow RPO Code	Ref. Only RPO Code	Description	1LT	2LT	3LT	LT1	1SS	2SS	ZL1	
			Convertible	Convertible	Convertible	Convertible	Convertible	Convertible	Convertible	Convertible
			1AG67	1AH67	1AH67	1AJ67	1AJ67	1AK67	1AL67	
			1LT	2LT	3LT	1LZ	1SS	2SS	1SE	
NB9		<b>Emissions override</b> , state-specific (for dealers ordering vehicles in (YF5) or (NE1) emission states - California, Connecticut, Delaware, Maine, Maryland, Massachusetts, New Jersey, New York, Oregon, Pennsylvania, Rhode Island, Vermont and Washington) 1 - Allows a California dealer (YF5 emissions) to order (NE1) emissions with (NB9) emissions override code for registration in (NE1) states; or, a Connecticut, Delaware, Maine, Maryland, Massachusetts, New Jersey, New York, Oregon, Pennsylvania, Rhode Island, Vermont and Washington dealer (NE1 emissions) to order (YF5) emissions with (NB9) emissions override code for registration in California.	A <sup>1</sup>	A <sup>1</sup>	A <sup>1</sup>	A <sup>1</sup>	A <sup>1</sup>	A <sup>1</sup>	A <sup>1</sup>	
NC7		<b>Emissions override</b> , Federal (for vehicles ordered by dealers in Federal emission states with (YF5) or (NE1) emissions - Not required for vehicles being shipped to California, Connecticut, Delaware, Maine, Maryland, Massachusetts, New Jersey, New York, Oregon, Pennsylvania, Rhode Island, Vermont or Washington) 1 - Requires (YF5) California state emissions requirements or (NE1) Connecticut, Delaware, Maine, Maryland, Massachusetts, New Jersey, New York, Oregon, Pennsylvania, Rhode Island, Vermont or Washington state emissions requirements.	A <sup>1</sup>	A <sup>1</sup>	A <sup>1</sup>	A <sup>1</sup>	A <sup>1</sup>	A <sup>1</sup>	A <sup>1</sup>	
C2U		<b>Silver Rally Stripes</b>	A	A	A	A	A	A	--	
BO3		<b>White Pearl Rally Stripes</b> 1 - Not available with exterior color (GAZ) Summit White.	A <sup>1</sup>	A <sup>1</sup>	A <sup>1</sup>	A <sup>1</sup>	A <sup>1</sup>	A <sup>1</sup>	--	
LGX		<b>Engine</b> , 3.6L V6, DI, VVT (335 hp [250 kW] @ 6800 rpm, 284 lb-ft of torque [383.4 N-m] @ 5300 rpm)	A	A	A	--	--	--	--	
B9M		<b>Tail lamps</b> , dark tint 1 - Not available with (WRS) RS Package since it already includes dark tint tail lamps.	A <sup>1</sup>	A <sup>1</sup>	A <sup>1</sup>	--	--	--	--	
K05		<b>Engine block heater</b>	A	A	A	--	--	--	--	
NPP		<b>Exhaust</b> , dual-mode 1 - Requires (LGX) 3.6L V6 engine.	A <sup>1</sup>	A <sup>1</sup>	A <sup>1</sup>	A	A	A	S	
5WF		<b>LPO, Battery Protection Package</b>	A/D	A/D	A/D	A/D	A/D	A/D	A/D	

ADDITIONAL OPTIONS										
Free Flow RPO Code	Ref. Only RPO Code	Description	1LT	2LT	3LT	LT1	1SS	2SS	ZL1	
			Convertible	Convertible	Convertible	Convertible	Convertible	Convertible	Convertible	Convertible
			1AG67	1AH67	1AH67	1AJ67	1AJ67	1AK67	1AL67	
			1LT	2LT	3LT	1LZ	1SS	2SS	1SE	
PCU		<b>LPO, 4-Corner Brembo brake upgrade system in Red</b> , includes (5LQ) 6 Piston Front Brake Kit, LPO and (RX0) 4 Piston Brembo rear calipers in Red, LPO	--	--	--	--	A/D	A/D	--	
5LQ		<b>LPO, 6 Piston Front Brake Kit</b> , includes Brembo Red brake calipers, slotted rotors and pad upgrade. Front brakes only.	A/D	A/D	A/D	A/D	A/D	A/D	--	
RVK		<b>LPO, Performance air intake 1 - Not available at start of production.</b>	--	--	--	A/D <sup>1</sup>	A/D <sup>1</sup>	A/D <sup>1</sup>	--	
RTJ		<b>Wheels, 20" (50.8 cm) 5-spilt spoke bright Silver-painted aluminum 1 - Requires (WRS) RS Package.</b>	A <sup>1</sup>	A <sup>1</sup>	A <sup>1</sup>	A	--	--	--	
SCG		<b>LPO, 6.2L Strut tower brace in Black</b>	--	--	--	A/D	A/D	A/D	--	
RTH		<b>Wheels, 20" (50.8 cm) 5-spoke Carbon Flash painted aluminum</b>	A	A	A	A	--	--	--	
RQ9		<b>Wheels, 20" (50.8 cm) 5-split spoke premium Gray-painted, machined-face aluminum 1 - Included and only available with (WRS) RS Package.</b>	A <sup>1</sup>	A <sup>1</sup>	A <sup>1</sup>	A	--	--	--	
SG3		<b>LPO, Lowering suspension upgrade system 1 - Not available with (REG) 18" Silver-painted aluminum wheels. 2 - Not available with (F55) Magnetic Ride Control.</b>	A/D <sup>1</sup>	A/D <sup>1</sup>	A/D <sup>1</sup>	A/D	A/D <sup>2</sup>	A/D <sup>2</sup>	--	
WR1		<b>Wheels, 20" (50.8 cm) 5-split spoke polished forged with Black star center cap 1 - Requires (WRS) RS Package.</b>	A <sup>1</sup>	A <sup>1</sup>	A <sup>1</sup>	A	--	--	--	
5K9		<b>Wheels, 20" (50.8 cm) Caliente 1 - Requires (WRS) RS Package.</b>	A <sup>1</sup>	A <sup>1</sup>	A <sup>1</sup>	A	--	--	--	
F55		<b>Magnetic Ride Control</b>	--	--	--	--	A	A	S	
56R		<b>Wheels, 20" x 8.5" (50.8 cm x 21.6 cm) front and 20" x 9.5" (50.8 cm x 24.1 cm) rear 5-split spoke premium Gray-painted machined-face aluminum</b>	--	--	--	--	A	A	--	
56W		<b>Wheels, 20" x 8.5" (50.8 cm x 21.6 cm) front and 20" x 9.5" (50.8 cm x 24.1 cm) rear 5-spilt spoke bright Silver-painted aluminum</b>	--	--	--	--	A	A	--	
56V		<b>Wheels, 20" x 8.5" (50.8 cm x 21.6 cm) front and 20" x 9.5" (50.8 cm x 24.1 cm) rear 5-spoke Carbon Flash painted aluminum</b>	--	--	--	--	A	A	--	

ADDITIONAL OPTIONS									
Free Flow RPO Code	Ref. Only RPO Code	Description	1LT	2LT	3LT	LT1	1SS	2SS	ZL1
			Convertible 1AG67	Convertible 1AH67	Convertible 1AH67	Convertible 1AJ67	Convertible 1AJ67	Convertible 1AK67	Convertible 1AL67
			1LT	2LT	3LT	1LZ	1SS	2SS	1SE
57W		<b>Wheels</b> , 20" x 8.5" (50.8 cm x 21.6 cm) front and 20" x 9.5" (50.8 cm x 24.1 cm) rear 5-split spoke polished forged with Black star center cap	--	--	--	--	A	A	--
57V		<b>Wheels</b> , 20" x 8.5" (50.8 cm x 21.6 cm) front and 20" x 9.5" (50.8 cm x 24.1 cm) rear Caliente	--	--	--	--	A	A	--
MX0		<b>Transmission</b> , 8-speed automatic, includes transmission oil cooler and (BTV) remote vehicle starter system 1 - Requires (LTG) 2.0L Turbo engine.	A <sup>1</sup>	A <sup>1</sup>	A <sup>1</sup>	--	--	--	--
MX0		<b>Transmission</b> , 10-speed automatic, includes transmission oil cooler and (BTV) remote vehicle starter system 1 - Requires (LGX) 3.6L V6 engine.	A <sup>1</sup>	A <sup>1</sup>	A <sup>1</sup>	A	A	A	A



S = Standard Equipment A = Available --(dashes) = Not Available D = ADI Available

■ = Included in Equipment Group □ = Included in Equipment Group but upgradeable

No deletions allowed to Equipment Groups. Additional options may be added; check ordering information section for compatibility

Codes listed in the shaded column titled Ref. Only RPO Code are for internal use only and should not be ordered.

Free Flow RPO Code	Ref. Only RPO Code	Description	1LS Coupe 1AG37	1LT Coupe 1AG37	2LT Coupe 1AH37	3LT Coupe 1AH37	LT1 Coupe 1AJ37	1SS Coupe 1AJ37	2SS Coupe 1AK37	ZL1 Coupe 1AL37
			1LS	1LT	2LT	3LT	1LZ	1SS	2SS	1SE
		Standard Equipment	■	■	■	■	■	■	■	■

S = Standard Equipment A = Available --(dashes) = Not Available D = ADI Available

■ = Included in Equipment Group □ = Included in Equipment Group but upgradeable

Codes listed in the shaded column titled Ref. Only RPO Code are for internal use only and should not be ordered.

Free Flow RPO Code	Ref. Only RPO Code	Description	1LS Coupe 1AG37	1LT Coupe 1AG37	2LT Coupe 1AH37	3LT Coupe 1AH37	LT1 Coupe 1AJ37	1SS Coupe 1AJ37	2SS Coupe 1AK37	ZL1 Coupe 1AL37
			1LS	1LT	2LT	3LT	1LZ	1SS	2SS	1SE
Y3W		<b>Technology Package</b> , includes (IOS) Chevrolet Infotainment 3 Plus system, 8" diagonal HD color touchscreen and (UQA) Bose premium speaker system	--	A	A	--	A	--	--	--
	AYG	<b>Airbags</b> , dual-stage frontal, thorax side-impact and knee, driver and front passenger, and head curtain side-impact, includes Passenger Sensing System <b>1 - Always use seat belts and child restraints. Children are safer when properly secured in a rear seat in the appropriate child restraint. See the Owner's Manual for more information.</b>	S <sup>1</sup>	S <sup>1</sup>	S <sup>1</sup>	S <sup>1</sup>	S <sup>1</sup>	S <sup>1</sup>	S <sup>1</sup>	S <sup>1</sup>
	C68	<b>Air conditioning</b> , single-zone automatic climate control	S	S	--	--	S	S	--	--
	CJ2	<b>Air conditioning</b> , dual-zone automatic climate control with individual climate settings for driver and dedicated passenger controls and outside temperature display	--	--	S	S	--	--	S	S
	IOR	<b>Audio system</b> , Chevrolet Infotainment 3 system, 7" diagonal color touchscreen, AM/FM stereo. Additional features for compatible phones include: Bluetooth audio streaming for 2 active devices, voice command pass-through to phone, Apple CarPlay and Android Auto capable.	S	S	S	--	S	--	--	--
	IOS	<b>Audio system</b> , Chevrolet Infotainment 3 Plus system, 8" diagonal HD color touchscreen, AM/FM stereo, Bluetooth audio streaming for 2 active devices, Apple CarPlay and Android Auto capable, voice recognition, in-vehicle apps, cloud connected personalization for select infotainment and vehicle settings. Subscription required for enhanced and connected services after trial period. <b>1 - Included and only available with (Y3W) Technology Package.</b>	--	A <sup>1</sup>	A <sup>1</sup>	S	A <sup>1</sup>	S	S	S

Free Flow RPO Code	Ref. Only RPO Code	Description	1LS Coupe 1AG37	1LT Coupe 1AG37	2LT Coupe 1AH37	3LT Coupe 1AH37	LT1 Coupe 1AJ37	1SS Coupe 1AJ37	2SS Coupe 1AK37	ZL1 Coupe 1AL37
			1LS	1LT	2LT	3LT	1LZ	1SS	2SS	1SE
IOT		<b>Audio system</b> , Chevrolet Infotainment 3 Premium system with connected Navigation, 8" diagonal HD color touchscreen, AM/FM stereo, Bluetooth audio streaming for 2 active devices, Apple CarPlay and Android Auto capable, enhanced voice recognition, additional memory for in-vehicle apps, cloud connected personalization for select infotainment and vehicle settings. Subscription required for enhanced and connected services after trial period.	--	--	--	A	--	--	A	A
	U2K	<b>SiriusXM Radio</b> , enjoy a 12-month All Access trial subscription with over 150 channels including commercial-free music, plus sports, news and entertainment. Plus listening on the SiriusXM app, online and at home on compatible connected devices is included, so you'll hear the best SiriusXM has to offer, anywhere life takes you. Welcome to the world of SiriusXM. <b>1 - IMPORTANT: The SiriusXM radio trial package is not provided on vehicles that are ordered for Fleet Daily Rental ("FDR") use. If you decide to continue service after your trial, the subscription plan you choose will automatically renew thereafter and you will be charged according to your chosen payment method at then-current rates. Fees and taxes apply. See the SiriusXM Customer Agreement at <a href="http://www.siriusxm.com">www.siriusxm.com</a> for complete terms and how to cancel. All fees, content, features, and availability are subject to change.</b>	--	S <sup>1</sup>	S <sup>1</sup>	--	S <sup>1</sup>	--	--	--

Free Flow RPO Code	Ref. Only RPO Code	Description	1LS Coupe 1AG37	1LT Coupe 1AG37	2LT Coupe 1AH37	3LT Coupe 1AH37	LT1 Coupe 1AJ37	1SS Coupe 1AJ37	2SS Coupe 1AK37	ZL1 Coupe 1AL37
			1LS	1LT	2LT	3LT	1LZ	1SS	2SS	1SE
		<p><b>SiriusXM with 360L.</b> Equipped with SiriusXM with 360L. Enjoy a 12-month trial subscription of the All Access package for the full 360L experience, with a greater variety of SiriusXM content, a more personalized experience and easier navigation. With the All Access package, you can also enjoy your favorites everywhere you go, with the SiriusXM app, online and at home on compatible connected devices.</p> <p><b>1 - Included and only available with (IOS) Chevrolet Infotainment 3 Plus system. IMPORTANT: The SiriusXM radio trial package is not provided on vehicles that are ordered for Fleet Daily Rental ("FDR") use. If you decide to continue service after your trial, the subscription plan you choose will automatically renew thereafter and you will be charged according to your chosen payment method at then-current rates. Fees and taxes apply. See the SiriusXM Customer Agreement at <a href="http://www.siriusxm.com">www.siriusxm.com</a> for complete terms and how to cancel. All fees, content, features, and availability are subject to change. GM connected vehicle services vary by vehicle model and require active service plan, working electrical system, cell reception and GPS signal. See <a href="http://onstar.com">onstar.com</a> for details and limitations.</b></p> <p><b>2 - IMPORTANT: The SiriusXM radio trial package is not provided on vehicles that are ordered for Fleet Daily Rental ("FDR") use. If you decide to continue service after your trial, the subscription plan you choose will automatically renew thereafter and you will be charged according to your chosen payment method at then-current rates. Fees and taxes apply. See the SiriusXM Customer Agreement at <a href="http://www.siriusxm.com">www.siriusxm.com</a> for complete terms and how to cancel. All fees, content, features, and availability are subject to change. GM connected vehicle services vary by vehicle model and require active service plan, working electrical system, cell reception and GPS signal. See <a href="http://onstar.com">onstar.com</a> for details and limitations.</b></p>	--	A <sup>1</sup>	A <sup>1</sup>	S <sup>2</sup>	A <sup>1</sup>	S <sup>2</sup>	S <sup>2</sup>	S <sup>2</sup>
	UQ3	<b>Audio system feature, 6-speaker system</b>	S	S	S	--	S	S	--	--
	UQA	<b>Audio system feature, Bose premium 9-speaker system</b> 1 - Included and only available with (Y3W) Technology Package.	--	A <sup>1</sup>	A <sup>1</sup>	S	A <sup>1</sup>	--	S	S
	UPG	<b>Bluetooth for phone</b>	S	S	S	S	S	S	S	S
		<b>Compass display</b>	S	S	S	S	S	S	S	S
		<b>Cruise control, electronic with set and resume speed, steering wheel mounted</b>	S	S	S	S	S	S	S	S

Free Flow RPO Code	Ref. Only RPO Code	Description	1LS Coupe 1AG37	1LT Coupe 1AG37	2LT Coupe 1AH37	3LT Coupe 1AH37	LT1 Coupe 1AJ37	1SS Coupe 1AJ37	2SS Coupe 1AK37	ZL1 Coupe 1AL37
			1LS	1LT	2LT	3LT	1LZ	1SS	2SS	1SE
		<b>Cup holders</b> , 2 front	S	S	S	S	S	S	S	S
		<b>Dead pedal</b> , driver	S	S	S	S	S	S	S	S
		<b>Defogger</b> , rear-window, electric	S	S	S	S	S	S	S	S
		<b>Door locks</b> , power programmable with lockout protection	S	S	S	S	S	S	S	S
	UDD	<b>Driver Information Center</b> , color display	S	S	S	--	S	--	--	--
	UHS	<b>Driver Information Center</b> , enhanced, 8" diagonal multi-color re-configurable display	--	--	--	S	--	S	S	S
	B34	<b>Floor mats</b> , carpeted front	S	S	S	S	S	S	S	S
	UEU	<b>Forward Collision Alert</b> 1 - Deleted when (UQT) Performance data and video recorder is ordered.	--	--	--	S <sup>1</sup>	--	--	S <sup>1</sup>	S <sup>1</sup>
		<b>Glovebox</b> , lockable	S	S	S	S	S	S	S	S
	UV6	<b>Head-Up Display</b> , with color digital readouts for vehicle speed, selected gear, G-Force, audio system information, high-beam indicator, compass, outside air temperature, tachometer, vehicle messages, Turn-by-Turn information and phone information 1 - Included and only available with (A1Y) SS 1LE Track Performance Package.	--	--	--	S	--	A <sup>1</sup>	S	S
	BRJ	<b>Adrenaline Red Interior Package</b> , includes Black interior with Adrenaline Red front seat inserts, door inserts and stitching on front seats, doors, steering wheel, shifter and center console 1 - Not available with exterior color (G16) Crush, (GKK) Riverside Blue Metallic or (GKO) Shock.	--	--	A <sup>1</sup>	A <sup>1</sup>	--	--	A <sup>1</sup>	--
	BRD	<b>Ceramic White Interior Package</b> , includes Black interior with Ceramic White front seat inserts, door inserts and stitching on front seats, doors, steering wheel, shifter and center console	--	--	A	A	--	--	A	--
		<b>Interior trim</b> , aluminum accents on door trim and shifter cap	--	--	--	S	--	--	S	S
	3DL	<b>Interior trim</b> , carbon fiber instrument panel molding	--	--	--	--	--	--	--	A
	ATH	<b>Keyless Open and Start</b> , includes 2 remote transmitters that enable automatic door unlock and open by touching door switch	S	S	S	S	S	S	S	S
	2F5	<b>Knee pads</b> , Red 1 - Not available with (H01) Kalahari interior.	--	A	A <sup>1</sup>	A <sup>1</sup>	A	A	A <sup>1</sup>	A

Free Flow RPO Code	Ref. Only RPO Code	Description	1LS Coupe 1AG37	1LT Coupe 1AG37	2LT Coupe 1AH37	3LT Coupe 1AH37	LT1 Coupe 1AJ37	1SS Coupe 1AJ37	2SS Coupe 1AK37	ZL1 Coupe 1AL37
			1LS	1LT	2LT	3LT	1LZ	1SS	2SS	1SE
		<b>LATCH system</b> (Lower Anchors and Tethers for CHildren), for child restraint seats	S	S	S	S	S	S	S	S
		<b>Lighting</b> , front reading lamps	S	S	S	S	S	S	S	S
	C70	<b>Lighting</b> , interior spectrum, 24 different color selections	--	--	--	S	--	--	S	S
5V6		<b>LPO, Black Interior Appearance Package</b> , includes (WGT) Black Interior Trim Kit, door accent trim, LPO and (S0U) Black sueded knee pads, LPO	A/D	A/D	A/D	--	A/D	A/D	--	--
PCX		<b>LPO, Camaro Logo Package</b> , includes (SH1) Embroidered center console lid with Camaro badge, LPO, (VYW) premium carpeted floor mats with Camaro logo, LPO and (RIN) Camaro logo fender badge, LPO 1 - Not available with CG3, PCN, SFZ, SH2. 2 - Not available with CG3, PCN, SFZ, SH2, VTF. 3 - Not available with BRJ, CG3, H01, PCN, SFZ, SH2, VTF.	A/D <sup>1</sup>	A/D <sup>2</sup>	A/D <sup>3</sup>	A/D <sup>3</sup>	--	A/D <sup>2</sup>	A/D <sup>3</sup>	--
PCN		<b>LPO, Winter/Summer Floor Mats Package</b> , includes (VYW) Premium carpeted floor mats, LPO and (VAV) All-weather floor mats, LPO 1 - Not available with PCX, VQG. 2 - Not available with H01, PCX, VQG. 3 - Not available with (VQG) Weather Protection Package, LPO.	A/D <sup>1</sup>	A/D <sup>1</sup>	A/D <sup>2</sup>	A/D <sup>2</sup>	A/D <sup>3</sup>	A/D <sup>1</sup>	A/D <sup>2</sup>	--
VQG		<b>LPO, Weather Protection Package</b> , includes (VAV) All-weather floor mats, LPO, (VLI) All-weather cargo mat and (VRV) Body-color painted splash guards, LPO 1 - Not available with (5VM/VTD) Ground Effects Package, LPOs or exterior color (G16) Crush.	A/D <sup>1</sup>	A/D <sup>1</sup>	A/D <sup>1</sup>	A/D <sup>1</sup>	A/D <sup>1</sup>	A/D <sup>1</sup>	A/D <sup>1</sup>	--
PDX		<b>LPO, ZL1 Protection Package</b> , includes (W1V) Premium carpeted floor mats with ZL1 logo, LPO and (VGS) Outdoor vehicle cover, Gray with ZL1 logo, LPO	--	--	--	--	--	--	--	A/D
VLI		<b>LPO, All-weather cargo mat</b> with Camaro logo	A/D	A/D	A/D	A/D	A/D	A/D	A/D	A/D
W2D		<b>LPO, Cargo net</b>	A/D	A/D	A/D	A/D	A/D	A/D	A/D	A/D
SH1		<b>LPO, Embroidered center console lid</b> with Camaro badge 1 - Not available with (H01) Kalahari interior or (BRJ) Adrenaline Red Interior Accent Trim Package.	A/D	A/D	A/D <sup>1</sup>	A/D <sup>1</sup>	A/D	A/D	A/D <sup>1</sup>	--

Free Flow RPO Code	Ref. Only RPO Code	Description	1LS	1LT	2LT	3LT	LT1	1SS	2SS	ZL1
			Coupe 1AG37	Coupe 1AG37	Coupe 1AH37	Coupe 1AH37	Coupe 1AJ37	Coupe 1AJ37	Coupe 1AK37	Coupe 1AL37
			1LS	1LT	2LT	3LT	1LZ	1SS	2SS	1SE
VTF		<b>LPO, Embroidered center console lid</b> with RS or SS logo 1 - Requires (WRS) RS Package. 2 - Requires (WRS) RS Package. Not available with (H01) Kalahari interior or (BRJ) Adrenaline Red Interior Accent Trim Package. 3 - Not available with (H01) Kalahari interior or (BRJ) Adrenaline Red Interior Accent Trim Package.	--	A/D <sup>1</sup>	A/D <sup>2</sup>	A/D <sup>2</sup>	--	A/D	A/D <sup>3</sup>	--
SH2		<b>LPO, Embroidered center console lid,</b> Chevrolet Performance logo 1 - Not available with (SH1) Embroidered center console lid with Camaro badge, LPO. 2 - Not available with SH1, VTF. 3 - Not available with H01, SH1, VTF.	A/D <sup>1</sup>	A/D <sup>2</sup>	A/D <sup>3</sup>	A/D <sup>3</sup>	A/D <sup>1</sup>	A/D <sup>2</sup>	A/D <sup>3</sup>	A/D
VYW		<b>LPO, Floor mats,</b> premium carpeted with Camaro logo 1 - Not available with (H01) Kalahari interior.	A/D	A/D	A/D <sup>1</sup>	A/D <sup>1</sup>	A/D	A/D	A/D <sup>1</sup>	--
W1V		<b>LPO, Floor mats,</b> premium carpeted with ZL1 logo	--	--	--	--	--	--	--	A/D
VAV		<b>LPO, All-weather floor mats</b>	A/D	A/D	A/D	A/D	A/D	A/D	A/D	A/D
S0O		<b>LPO, Illuminated footwells</b>	--	--	--	A/D	--	--	A/D	--
WGT		<b>LPO, Black Interior Trim Kit,</b> door accent trim	A/D	A/D	A/D	--	A/D	A/D	--	--
WGK		<b>LPO, Red Interior Trim Kit,</b> door accent trim 1 - Not available with (H01) Kalahari interior or (BRJ) Adrenaline Red Interior Accent Trim Package.	A/D	A/D	A/D <sup>1</sup>	--	A/D	A/D	--	--
VTG		<b>LPO, White Interior Trim Kit,</b> door accent trim 1 - Not available with (H01) Kalahari interior.	A/D	A/D	A/D <sup>1</sup>	--	A/D	A/D	--	--
S0U		<b>LPO, Black sueded knee pads</b>	A/D	A/D	A/D	A/D	A/D	A/D	A/D	--
WGL		<b>LPO, Kalahari knee pads</b> 1 - Not available with (H72/H17) Medium Ash Gray interior. 2 - Not available with (BRJ/BRD) Interior Accent Trim Packages or (H17) Medium Ash Gray interior.	A/D <sup>1</sup>	A/D <sup>1</sup>	A/D <sup>2</sup>	A/D <sup>2</sup>	A/D <sup>1</sup>	A/D <sup>1</sup>	A/D <sup>2</sup>	--
WHA		<b>LPO, Red knee pads</b> 1 - Not available with (2F5) Red knee pads. 2 - Not available with (2F5) Red knee pads, (BRD) Ceramic White Interior Accent Trim Package or (H01) Kalahari leather interior trim.	A/D	A/D <sup>1</sup>	A/D <sup>2</sup>	A/D <sup>2</sup>	A/D <sup>1</sup>	A/D <sup>1</sup>	A/D <sup>2</sup>	--
S0V		<b>LPO, White knee pads</b> 1 - Not available with (BRJ) Adrenaline Red Interior Accent Trim Package or (H01) Kalahari interior.	A/D	A/D	A/D <sup>1</sup>	A/D <sup>1</sup>	A/D	A/D	A/D <sup>1</sup>	--

Free Flow RPO Code	Ref. Only RPO Code	Description	1LS Coupe 1AG37	1LT Coupe 1AG37	2LT Coupe 1AH37	3LT Coupe 1AH37	LT1 Coupe 1AJ37	1SS Coupe 1AJ37	2SS Coupe 1AK37	ZL1 Coupe 1AL37
			1LS	1LT	2LT	3LT	1LZ	1SS	2SS	1SE
5KP		LPO, Illuminated sill plates	A/D	A/D	A/D	--	A/D	A/D	--	--
VEB		LPO, Sport pedals kit 1 - Not available with (JF5) sport alloy pedals.	A/D	A/D <sup>1</sup>	A/D <sup>1</sup>	A/D <sup>1</sup>	A/D <sup>1</sup>	A/D <sup>1</sup>	A/D <sup>1</sup>	--
5YN		LPO, Carbon Fiber-look shift knob (auto) or Carbon Fiber-look shift knob medallion (manual)	A/D	A/D	A/D	A/D	A/D	A/D	A/D	A/D
SA7		LPO, Suede shift knob and boot kit 1 - Not available with (MX0) automatic transmission. 2 - Not available with (KS9) sueded microfiber-wrapped shift knob or (MX0) automatic transmission.	A/D <sup>1</sup>	A/D <sup>2</sup>	A/D <sup>2</sup>	A/D <sup>2</sup>	--	--	--	--
	A45	Memory Package, recalls 2 driver "presets" for 8-way power driver seat and outside mirrors	--	--	--	S	--	--	S	S
	D31	Mirror, inside rearview manual day/night, frameless	S	S	S	--	S	S	--	--
	DRZ	Rear Camera Mirror	--	--	--	S	--	--	S	S
	UE1	OnStar and Chevrolet connected services capable 1 - Terms and limitations apply. See onstar.com or dealer for details.	S <sup>1</sup>	S <sup>1</sup>	S <sup>1</sup>	S <sup>1</sup>	S <sup>1</sup>	S <sup>1</sup>	S <sup>1</sup>	S <sup>1</sup>
	VV4	4G LTE Wi-Fi Hotspot capable 1 - Terms and limitations apply. See onstar.com or dealer for details.	S <sup>1</sup>	S <sup>1</sup>	S <sup>1</sup>	S <sup>1</sup>	S <sup>1</sup>	S <sup>1</sup>	S <sup>1</sup>	S <sup>1</sup>
		Chevrolet Connected Access capable 1 - Subject to terms. See onstar.com or dealer for details.	S <sup>1</sup>	S <sup>1</sup>	S <sup>1</sup>	S <sup>1</sup>	S <sup>1</sup>	S <sup>1</sup>	S <sup>1</sup>	S <sup>1</sup>
JF5		Pedals, sport alloy	--	A	A	A	A	A	A	S
UQT		Performance data and video recorder 1 - Requires (A1X/A1Y) 1LE Track Performance Package. Deletes (UEU) Forward Collision Alert. 2 - Deletes (UEU) Forward Collision Alert.	--	--	--	A <sup>1</sup>	--	A <sup>1</sup>	A <sup>1</sup>	A <sup>2</sup>
	UVB	HD Rear Vision Camera 1 - Rear Vision Camera display is not HD with IOR audio system.	S <sup>1</sup>	S <sup>1</sup>	S <sup>1</sup>	S	S <sup>1</sup>	S	S	S
	BTV	Remote vehicle starter system 1 - Included and only available with (MX0) automatic transmission.	A <sup>1</sup>	A <sup>1</sup>	A <sup>1</sup>	A <sup>1</sup>	A <sup>1</sup>	A <sup>1</sup>	A <sup>1</sup>	A <sup>1</sup>
3F9		Seat belt color, Red	A	A	A	A	A	A	A	A
		Seat belts, 3-point, all positions, includes front seat driver and front passenger seat belt pretensioners	S	S	S	S	S	S	S	S
	A50	Seats, front Sport bucket	S	S	S	S	S	S	S	--



Free Flow RPO Code	Ref. Only RPO Code	Description	1LS Coupe 1AG37	1LT Coupe 1AG37	2LT Coupe 1AH37	3LT Coupe 1AH37	LT1 Coupe 1AJ37	1SS Coupe 1AJ37	2SS Coupe 1AK37	ZL1 Coupe 1AL37
			1LS	1LT	2LT	3LT	1LZ	1SS	2SS	1SE
AQJ		<b>Seats</b> , front bucket, RECARO performance 1 - Requires (H1T/H0Y) Jet Black interior trim.	--	A <sup>1</sup>	A <sup>1</sup>	A <sup>1</sup>	A <sup>1</sup>	A <sup>1</sup>	A <sup>1</sup>	S
	AM7	<b>Seat</b> , rear, folding	S	S	S	S	S	S	S	S
	A62	<b>Seat</b> , rear fixed 1 - Included and only available with (A1Z) ZL1 1LE Extreme Track Performance Package.	--	--	--	--	--	--	--	A <sup>1</sup>
	KA1	<b>Seats</b> , heated driver and front passenger	--	--	S	S	--	--	S	S
	KQV	<b>Seats</b> , ventilated driver and front passenger	--	--	S	S	--	--	S	S
	AV3	<b>Seat adjuster</b> , driver, 8-way power	S	S	S	S	S	S	S	S
	AAQ	<b>Seat adjuster</b> , front passenger, 4-way manual with power recline	S	--	--	--	--	--	--	--
	AKQ	<b>Seat adjuster</b> , front passenger, 6-way power	--	S	S	S	S	S	S	S
	VY7	<b>Shift knob</b> , leather-wrapped	S	S	S	S	S	S	S	--
	KS9	<b>Shift knob</b> , sueded microfiber-wrapped 1 - Included and only available with (N26) sueded microfiber-wrapped steering wheel or (A1X/A1Y) 1LE Track Performance Package. 2 - Included and only available with (N26) sueded microfiber-wrapped steering wheel.	--	A <sup>1</sup>	A <sup>1</sup>	A <sup>1</sup>	A <sup>2</sup>	A <sup>1</sup>	A <sup>1</sup>	S
	B7G	<b>Sill plates</b> , illuminated	--	--	--	S	--	--	S	S
	UMN	<b>Speedometer</b> , miles/kilometers	S	S	S	S	S	S	S	S
		<b>Steering column</b> , manual rake and telescopic	S	S	S	S	S	S	S	S
	NP5	<b>Steering wheel</b> , leather-wrapped, flat-bottom	S	S	S	S	S	S	S	--
N26		<b>Steering wheel</b> , 3-spoke, sueded microfiber-wrapped, flat-bottom 1 - Requires (MX0) automatic transmission.	--	A	A	A	A <sup>1</sup>	A	A	S
	UVD	<b>Steering wheel</b> , heated	--	--	--	S	--	--	S	S
CF5		<b>Sunroof</b> , power	--	A	A	A	A	A	A	A

Free Flow RPO Code	Ref. Only RPO Code	Description	1LS Coupe 1AG37	1LT Coupe 1AG37	2LT Coupe 1AH37	3LT Coupe 1AH37	LT1 Coupe 1AJ37	1SS Coupe 1AJ37	2SS Coupe 1AK37	ZL1 Coupe 1AL37
			1LS	1LT	2LT	3LT	1LZ	1SS	2SS	1SE
	TDM	<b>Teen Driver</b> , a configurable feature that lets you activate customizable vehicle settings associated with a key fob, to help encourage safe driving behavior. It can limit certain available vehicle features, and it prevents certain safety systems from being turned off. An in-vehicle report card gives you information on driving habits and helps you to continue to coach your new driver	S	S	S	S	S	S	S	S
		<b>Theft-deterrent system</b> , electrical, unauthorized entry	S	S	S	S	S	S	S	S
		<b>Tire Fill Alert</b>	S	S	S	S	S	S	S	S
		<b>Tire Pressure Monitor System</b>	S	S	S	S	S	S	S	S
		<b>Trunk emergency release handle</b>	S	S	S	S	S	S	S	S
		<b>Trunk release</b> , power	S	S	S	S	S	S	S	S
		<b>Visors</b> , driver and front passenger vanity mirrors, covered, non-illuminated	S	S	S	--	S	--	--	--
		<b>Visors</b> , driver and front passenger vanity mirrors, covered, illuminated	--	--	--	S	--	S	S	S
		<b>Windows</b> , power with driver and passenger Express-Down/Up	S	S	S	S	S	S	S	S
	K4C	<b>Wireless Charging</b> for devices	--	--	--	S	--	--	S	S
	PPW	<b>NEW!</b> <b>Wireless Apple CarPlay/Wireless Android Auto</b>	S	S	S	S	S	S	S	S

S = Standard Equipment A = Available --(dashes) = Not Available D = ADI Available

■ = Included in Equipment Group □ = Included in Equipment Group but upgradeable

Codes listed in the shaded column titled Ref. Only RPO Code are for internal use only and should not be ordered.

Free Flow RPO Code	Ref. Only RPO Code	Description	1LT	2LT	3LT	LT1	1SS	2SS	ZL1
			Convertible	Convertible	Convertible	Convertible	Convertible	Convertible	Convertible
			1AG67	1AH67	1AH67	1AJ67	1AJ67	1AK67	1AL67
			1LT	2LT	3LT	1LZ	1SS	2SS	1SE
Y3W		<b>Technology Package</b> , includes (IOS) Chevrolet Infotainment 3 Plus system, 8" diagonal HD color touchscreen and (UQA) Bose premium speaker system	A	A	--	A	--	--	--
	AJ9	<b>Airbags</b> , dual-stage frontal, knee, head and thorax side-impact, driver and front passenger, includes Passenger Sensing System <b>1 - Always use seat belts and child restraints. Children are safer when properly secured in a rear seat in the appropriate child restraint. See the Owner's Manual for more information.</b>	S <sup>1</sup>	S <sup>1</sup>	S <sup>1</sup>	S <sup>1</sup>	S <sup>1</sup>	S <sup>1</sup>	S <sup>1</sup>
	C68	<b>Air conditioning</b> , single-zone automatic climate control	S	--	--	S	S	--	--
	CJ2	<b>Air conditioning</b> , dual-zone automatic climate control with individual climate settings for driver and dedicated passenger controls and outside temperature display	--	S	S	--	--	S	S
	IOR	<b>Audio system</b> , Chevrolet Infotainment 3 system, 7" diagonal color touchscreen, AM/FM stereo. Additional features for compatible phones include: Bluetooth audio streaming for 2 active devices, voice command pass-through to phone, Apple CarPlay and Android Auto capable.	S	S	--	S	--	--	--
	IOS	<b>Audio system</b> , Chevrolet Infotainment 3 Plus system, 8" diagonal HD color touchscreen, AM/FM stereo, Bluetooth audio streaming for 2 active devices, Apple CarPlay and Android Auto capable, voice recognition, in-vehicle apps, cloud connected personalization for select infotainment and vehicle settings. Subscription required for enhanced and connected services after trial period. <b>1 - Included and only available with (Y3W) Technology Package.</b>	A <sup>1</sup>	A <sup>1</sup>	S	A <sup>1</sup>	S	S	S
	IOT	<b>Audio system</b> , Chevrolet Infotainment 3 Premium system with connected Navigation, 8" diagonal HD color touchscreen, AM/FM stereo, Bluetooth audio streaming for 2 active devices, Apple CarPlay and Android Auto capable, enhanced voice recognition, additional memory for in-vehicle apps, cloud connected personalization for select infotainment and vehicle settings. Subscription required for enhanced and connected services after trial period.	--	--	A	--	--	A	A

Free Flow RPO Code	Ref. Only RPO Code	Description	1LT	2LT	3LT	LT1	1SS	2SS	ZL1
			Convertible	Convertible	Convertible	Convertible	Convertible	Convertible	Convertible
			1AG67	1AH67	1AH67	1AJ67	1AJ67	1AK67	1AL67
			1LT	2LT	3LT	1LZ	1SS	2SS	1SE
	U2K	<p><b>SiriusXM Radio</b>, enjoy a 12-month All Access trial subscription with over 150 channels including commercial-free music, plus sports, news and entertainment. Plus listening on the SiriusXM app, online and at home on compatible connected devices is included, so you'll hear the best SiriusXM has to offer, anywhere life takes you. Welcome to the world of SiriusXM.</p> <p><b>1 - IMPORTANT: The SiriusXM radio trial package is not provided on vehicles that are ordered for Fleet Daily Rental ("FDR") use. If you decide to continue service after your trial, the subscription plan you choose will automatically renew thereafter and you will be charged according to your chosen payment method at then-current rates. Fees and taxes apply. See the SiriusXM Customer Agreement at <a href="http://www.siriusxm.com">www.siriusxm.com</a> for complete terms and how to cancel. All fees, content, features, and availability are subject to change.</b></p>	S <sup>1</sup>	S <sup>1</sup>	--	S <sup>1</sup>	--	--	--

Free Flow RPO Code	Ref. Only RPO Code	Description	1LT	2LT	3LT	LT1	1SS	2SS	ZL1
			Convertible	Convertible	Convertible	Convertible	Convertible	Convertible	Convertible
			1AG67	1AH67	1AH67	1AJ67	1AJ67	1AK67	1AL67
			1LT	2LT	3LT	1LZ	1SS	2SS	1SE
		<p><b>SiriusXM with 360L</b>, Equipped with SiriusXM with 360L. Enjoy a 12-month trial subscription of the All Access package for the full 360L experience, with a greater variety of SiriusXM content, a more personalized experience and easier navigation. With the All Access package, you can also enjoy your favorites everywhere you go, with the SiriusXM app, online and at home on compatible connected devices.</p> <p>1 - Included and only available with (IOS) Chevrolet Infotainment 3 Plus system. <b>IMPORTANT: The SiriusXM radio trial package is not provided on vehicles that are ordered for Fleet Daily Rental ("FDR") use. If you decide to continue service after your trial, the subscription plan you choose will automatically renew thereafter and you will be charged according to your chosen payment method at then-current rates. Fees and taxes apply. See the SiriusXM Customer Agreement at <a href="http://www.siriusxm.com">www.siriusxm.com</a> for complete terms and how to cancel. All fees, content, features, and availability are subject to change. GM connected vehicle services vary by vehicle model and require active service plan, working electrical system, cell reception and GPS signal. See <a href="http://onstar.com">onstar.com</a> for details and limitations.</b></p> <p>2 - <b>IMPORTANT: The SiriusXM radio trial package is not provided on vehicles that are ordered for Fleet Daily Rental ("FDR") use. If you decide to continue service after your trial, the subscription plan you choose will automatically renew thereafter and you will be charged according to your chosen payment method at then-current rates. Fees and taxes apply. See the SiriusXM Customer Agreement at <a href="http://www.siriusxm.com">www.siriusxm.com</a> for complete terms and how to cancel. All fees, content, features, and availability are subject to change. GM connected vehicle services vary by vehicle model and require active service plan, working electrical system, cell reception and GPS signal. See <a href="http://onstar.com">onstar.com</a> for details and limitations.</b></p>	A <sup>1</sup>	A <sup>1</sup>	S <sup>2</sup>	A <sup>1</sup>	S <sup>2</sup>	S <sup>2</sup>	S <sup>2</sup>
	UQ3	<b>Audio system feature</b> , 6-speaker system	S	S	--	S	S	--	--
	UQA	<b>Audio system feature</b> , Bose premium 7-speaker system 1 - Included and only available with (Y3W) Technology Package.	A <sup>1</sup>	A <sup>1</sup>	S	A <sup>1</sup>	--	S	S
	UPG	<b>Bluetooth for phone</b>	S	S	S	S	S	S	S
		<b>Compass display</b>	S	S	S	S	S	S	S
		<b>Cruise control</b> , electronic with set and resume speed, steering wheel mounted	S	S	S	S	S	S	S
		<b>Cup holders</b> , 2 front	S	S	S	S	S	S	S
		<b>Dead pedal</b> , driver	S	S	S	S	S	S	S

Free Flow RPO Code	Ref. Only RPO Code	Description	1LT	2LT	3LT	LT1	1SS	2SS	ZL1
			Convertible 1AG67	Convertible 1AH67	Convertible 1AH67	Convertible 1AJ67	Convertible 1AJ67	Convertible 1AK67	Convertible 1AL67
			1LT	2LT	3LT	1LZ	1SS	2SS	1SE
		<b>Defogger</b> , rear-window, electric	S	S	S	S	S	S	S
		<b>Door locks</b> , power programmable with lockout protection	S	S	S	S	S	S	S
	UDD	<b>Driver Information Center</b> , color display	S	S	--	S	--	--	--
	UHS	<b>Driver Information Center</b> , enhanced, 8" diagonal multi-color re-configurable display	--	--	S	--	S	S	S
	B34	<b>Floor mats</b> , carpeted front	S	S	S	S	S	S	S
		<b>Glovebox</b> , lockable	S	S	S	S	S	S	S
	UV6	<b>Head-Up Display</b> , with color digital readouts for vehicle speed, selected gear, G-Force, audio system information, high-beam indicator, compass, outside air temperature, tachometer, vehicle messages, Turn-by-Turn information and phone information	--	--	S	--	--	S	S
BRJ		<b>Adrenaline Red Interior Package</b> , includes Black interior with Adrenaline Red front seat inserts, door inserts and stitching on front seats, doors, steering wheel, shifter and center console <b>1 - Not available with exterior color (G16) Crush, (GKK) Riverside Blue Metallic or (GKO) Shock.</b>	--	A <sup>1</sup>	A <sup>1</sup>	--	--	A <sup>1</sup>	--
BRD		<b>Ceramic White Interior Package</b> , includes Black interior with Ceramic White front seat inserts, door inserts and stitching on front seats, doors, steering wheel, shifter and center console	--	A	A	--	--	A	--
		<b>Interior trim</b> , aluminum accents on door trim and shifter cap	--	--	S	--	--	S	S
3DL		<b>Interior trim</b> , carbon fiber instrument panel molding	--	--	--	--	--	--	A
	ATH	<b>Keyless Open and Start</b> , includes 2 remote transmitters that enable automatic door unlock and open by touching door switch	S	S	S	S	S	S	S
2F5		<b>Knee pads</b> , Red <b>1 - Not available with (H01) Kalahari interior.</b>	A	A <sup>1</sup>	A <sup>1</sup>	A	A	A <sup>1</sup>	A
		<b>LATCH system</b> (Lower Anchors and Tethers for CHildren), for child restraint seats	S	S	S	S	S	S	S
		<b>Lighting</b> , front reading lamps	S	S	S	S	S	S	S
	C70	<b>Lighting</b> , interior spectrum, 24 different color selections	--	--	S	--	--	S	S
5V6		<b>LPO, Black Interior Appearance Package</b> , includes (WGT) Black Interior Trim Kit, door accent trim, LPO and (S0U) Black sueded knee pads, LPO	A/D	A/D	--	A/D	A/D	--	--

Free Flow RPO Code	Ref. Only RPO Code	Description	1LT	2LT	3LT	LT1	1SS	2SS	ZL1
			Convertible	Convertible	Convertible	Convertible	Convertible	Convertible	Convertible
			1AG67	1AH67	1AH67	1AJ67	1AJ67	1AK67	1AL67
			1LT	2LT	3LT	1LZ	1SS	2SS	1SE
PCX		<b>LPO, Camaro Logo Package</b> , includes (SH1) Embroidered center console lid with Camaro badge, LPO, (VYW) premium carpeted floor mats with Camaro logo, LPO and (RIN) Camaro logo fender badge, LPO 1 - Not available with CG3, PCN, SFZ, SH2, VTF. 2 - Not available with BRJ, CG3, H01, PCN, SFZ, SH2, VTF.	A/D <sup>1</sup>	A/D <sup>2</sup>	A/D <sup>2</sup>	--	A/D <sup>1</sup>	A/D <sup>2</sup>	--
PCN		<b>LPO, Winter/Summer Floor Mats Package</b> , includes (VYW) Premium carpeted floor mats, LPO and (VAV) All-weather floor mats, LPO 1 - Not available with PCX, VQG. 2 - Not available with H01, PCX, VQG. 3 - Not available with (VQG) Weather Protection Package, LPO.	A/D <sup>1</sup>	A/D <sup>2</sup>	A/D <sup>2</sup>	A/D <sup>3</sup>	A/D <sup>1</sup>	A/D <sup>2</sup>	--
VQG		<b>LPO, Weather Protection Package</b> , includes (VAV) All-weather floor mats, LPO and (VRV) Body-color painted splash guards, LPO 1 - Not available with (5VM/VTD) Ground Effects Package, LPOs or exterior color (G16) Crush.	A/D <sup>1</sup>	A/D <sup>1</sup>	A/D <sup>1</sup>	A/D <sup>1</sup>	A/D <sup>1</sup>	A/D <sup>1</sup>	--
PDX		<b>LPO, ZL1 Protection Package</b> , includes (W1V) Premium carpeted floor mats with ZL1 logo, LPO and (VGS) Outdoor vehicle cover, Gray with ZL1 logo, LPO	--	--	--	--	--	--	A/D
W2D		<b>LPO, Cargo net</b>	A/D	A/D	A/D	A/D	A/D	A/D	A/D
SH1		<b>LPO, Embroidered center console lid</b> with Camaro badge 1 - Not available with (H01) Kalahari interior or (BRJ) Adrenaline Red Interior Accent Trim Package.	A/D	A/D <sup>1</sup>	A/D <sup>1</sup>	A/D	A/D	A/D <sup>1</sup>	--
VTF		<b>LPO, Embroidered center console lid</b> with RS or SS logo 1 - Requires (WRS) RS Package. 2 - Requires (WRS) RS Package. Not available with (H01) Kalahari interior or (BRJ) Adrenaline Red Interior Accent Trim Package. 3 - Not available with (H01) Kalahari interior or (BRJ) Adrenaline Red Interior Accent Trim Package.	A/D <sup>1</sup>	A/D <sup>2</sup>	A/D <sup>2</sup>	--	A/D	A/D <sup>3</sup>	--
SH2		<b>LPO, Embroidered center console lid</b> , Chevrolet Performance logo 1 - Not available with SH1, VTF. 2 - Not available with H01, SH1, VTF. 3 - Not available with (SH1) Embroidered center console lid with Camaro badge, LPO.	A/D <sup>1</sup>	A/D <sup>2</sup>	A/D <sup>2</sup>	A/D <sup>3</sup>	A/D <sup>1</sup>	A/D <sup>2</sup>	A/D
VYW		<b>LPO, Floor mats</b> , premium carpeted with Camaro logo 1 - Not available with (H01) Kalahari interior.	A/D	A/D <sup>1</sup>	A/D <sup>1</sup>	A/D	A/D	A/D <sup>1</sup>	--
W1V		<b>LPO, Floor mats</b> , premium carpeted with ZL1 logo	--	--	--	--	--	--	A/D
VAV		<b>LPO, All-weather floor mats</b>	A/D	A/D	A/D	A/D	A/D	A/D	A/D
S00		<b>LPO, Illuminated footwells</b>	--	--	A/D	--	--	A/D	--

Free Flow RPO Code	Ref. Only RPO Code	Description	1LT	2LT	3LT	LT1	1SS	2SS	ZL1
			Convertible 1AG67	Convertible 1AH67	Convertible 1AH67	Convertible 1AJ67	Convertible 1AJ67	Convertible 1AK67	Convertible 1AL67
			1LT	2LT	3LT	1LZ	1SS	2SS	1SE
WGT		LPO, Black Interior Trim Kit, door accent trim	A/D	A/D	--	A/D	A/D	--	--
WGK		LPO, Red Interior Trim Kit, door accent trim 1 - Not available with (H01) Kalahari interior or (BRJ) Adrenaline Red Interior Accent Trim Package.	A/D	A/D <sup>1</sup>	--	A/D	A/D	--	--
VTG		LPO, White Interior Trim Kit, door accent trim 1 - Not available with (H01) Kalahari interior.	A/D	A/D <sup>1</sup>	--	A/D	A/D	--	--
S0U		LPO, Black sueded knee pads	A/D	A/D	A/D	A/D	A/D	A/D	--
WGL		LPO, Kalahari knee pads 1 - Not available with (H72/H17) Medium Ash Gray interior. 2 - Not available with (BRJ/BRD) Interior Accent Trim Packages or (H17) Medium Ash Gray interior.	A/D <sup>1</sup>	A/D <sup>2</sup>	A/D <sup>2</sup>	A/D <sup>1</sup>	A/D <sup>1</sup>	A/D <sup>2</sup>	--
WHA		LPO, Red knee pads 1 - Not available with (2F5) Red knee pads. 2 - Not available with (2F5) Red knee pads, (BRD) Ceramic White Interior Accent Trim Package or (H01) Kalahari leather interior trim.	A/D <sup>1</sup>	A/D <sup>2</sup>	A/D <sup>2</sup>	A/D <sup>1</sup>	A/D <sup>1</sup>	A/D <sup>2</sup>	--
S0V		LPO, White knee pads 1 - Not available with (BRJ) Adrenaline Red Interior Accent Trim Package or (H01) Kalahari interior.	A/D	A/D <sup>1</sup>	A/D <sup>1</sup>	A/D	A/D	A/D <sup>1</sup>	--
5KP		LPO, Illuminated sill plates	A/D	A/D	--	A/D	A/D	--	--
VEB		LPO, Sport pedals kit 1 - Not available with (JF5) sport alloy pedals.	A/D <sup>1</sup>	A/D <sup>1</sup>	A/D <sup>1</sup>	A/D <sup>1</sup>	A/D <sup>1</sup>	A/D <sup>1</sup>	--
5YN		LPO, Carbon Fiber-look shift knob (auto) or Carbon Fiber-look shift knob medallion (manual)	A/D	A/D	A/D	A/D	A/D	A/D	A/D
SA7		LPO, Suede shift knob and boot kit 1 - Not available with (KS9) sueded microfiber-wrapped shift knob or (MX0) automatic transmission.	A/D <sup>1</sup>	A/D <sup>1</sup>	A/D <sup>1</sup>	--	--	--	--
	A45	Memory Package, recalls 2 driver "presets" for 8-way power driver seat and outside mirrors	--	--	S	--	--	S	S
	D31	Mirror, inside rearview manual day/night, frameless	S	S	--	S	S	--	--
	DRZ	Rear Camera Mirror	--	--	S	--	--	S	S
	UE1	OnStar and Chevrolet connected services capable 1 - Terms and limitations apply. See onstar.com or dealer for details.	S <sup>1</sup>	S <sup>1</sup>	S <sup>1</sup>	S <sup>1</sup>	S <sup>1</sup>	S <sup>1</sup>	S <sup>1</sup>
	VV4	4G LTE Wi-Fi Hotspot capable 1 - Terms and limitations apply. See onstar.com or dealer for details.	S <sup>1</sup>	S <sup>1</sup>	S <sup>1</sup>	S <sup>1</sup>	S <sup>1</sup>	S <sup>1</sup>	S <sup>1</sup>



Free Flow RPO Code	Ref. Only RPO Code	Description	1LT	2LT	3LT	LT1	1SS	2SS	ZL1
			Convertible	Convertible	Convertible	Convertible	Convertible	Convertible	Convertible
			1AG67	1AH67	1AH67	1AJ67	1AJ67	1AK67	1AL67
			1LT	2LT	3LT	1LZ	1SS	2SS	1SE
		<b>Chevrolet Connected Access capable 1 - Subject to terms. See onstar.com or dealer for details.</b>	S <sup>1</sup>	S <sup>1</sup>	S <sup>1</sup>	S <sup>1</sup>	S <sup>1</sup>	S <sup>1</sup>	S <sup>1</sup>
JF5		<b>Pedals, sport alloy</b>	A	A	A	A	A	A	S
	UVB	<b>HD Rear Vision Camera 1 - Rear Vision Camera display is not HD with IOR audio system.</b>	S <sup>1</sup>	S <sup>1</sup>	S	S <sup>1</sup>	S	S	S
	BTV	<b>Remote vehicle starter system 1 - Included and only available with (MX0) automatic transmission.</b>	A <sup>1</sup>	A <sup>1</sup>	A <sup>1</sup>	A <sup>1</sup>	A <sup>1</sup>	A <sup>1</sup>	A <sup>1</sup>
3F9		<b>Seat belt color, Red</b>	A	A	A	A	A	A	A
		<b>Seat belts, 3-point, all positions, includes front seat driver and front passenger seat belt pretensioners</b>	S	S	S	S	S	S	S
	A50	<b>Seats, front Sport bucket</b>	S	S	S	S	S	S	--
AQJ		<b>Seats, front bucket, RECARO performance 1 - Requires (H1T/H0Y) Jet Black interior trim.</b>	A <sup>1</sup>	A <sup>1</sup>	A <sup>1</sup>	A <sup>1</sup>	A <sup>1</sup>	A <sup>1</sup>	S
	A62	<b>Seat, rear fixed</b>	S	S	S	S	S	S	S
	KA1	<b>Seats, heated driver and front passenger</b>	--	S	S	--	--	S	S
	KQV	<b>Seats, ventilated driver and front passenger</b>	--	S	S	--	--	S	S
	AV3	<b>Seat adjuster, driver, 8-way power</b>	S	S	S	S	S	S	S
	AKQ	<b>Seat adjuster, front passenger, 6-way power</b>	S	S	S	S	S	S	S
	VY7	<b>Shift knob, leather-wrapped</b>	S	S	S	S	S	S	--
	KS9	<b>Shift knob, sueded microfiber-wrapped 1 - Included and only available with (N26) sueded microfiber-wrapped steering wheel.</b>	A <sup>1</sup>	A <sup>1</sup>	A <sup>1</sup>	A <sup>1</sup>	A <sup>1</sup>	A <sup>1</sup>	S
	B7G	<b>Sill plates, illuminated</b>	--	--	S	--	--	S	S
	UMN	<b>Speedometer, miles/kilometers</b>	S	S	S	S	S	S	S
		<b>Steering column, manual rake and telescopic</b>	S	S	S	S	S	S	S
	NP5	<b>Steering wheel, leather-wrapped, flat-bottom</b>	S	S	S	S	S	S	--
N26		<b>Steering wheel, 3-spoke, sueded microfiber-wrapped, flat-bottom 1 - Requires (MX0) automatic transmission.</b>	A	A	A	A <sup>1</sup>	A	A	S
	UVD	<b>Steering wheel, heated</b>	--	--	S	--	--	S	S

Free Flow RPO Code	Ref. Only RPO Code	Description	1LT	2LT	3LT	LT1	1SS	2SS	ZL1
			Convertible	Convertible	Convertible	Convertible	Convertible	Convertible	Convertible
			1AG67	1AH67	1AH67	1AJ67	1AJ67	1AK67	1AL67
			1LT	2LT	3LT	1LZ	1SS	2SS	1SE
	TDM	<b>Teen Driver</b> , a configurable feature that lets you activate customizable vehicle settings associated with a key fob, to help encourage safe driving behavior. It can limit certain available vehicle features, and it prevents certain safety systems from being turned off. An in-vehicle report card gives you information on driving habits and helps you to continue to coach your new driver	S	S	S	S	S	S	S
		<b>Theft-deterrent system</b> , electrical, unauthorized entry	S	S	S	S	S	S	S
		<b>Tire Fill Alert</b>	S	S	S	S	S	S	S
		<b>Tire Pressure Monitor System</b>	S	S	S	S	S	S	S
		<b>Trunk emergency release handle</b>	S	S	S	S	S	S	S
		<b>Trunk release</b> , power	S	S	S	S	S	S	S
		<b>Visors</b> , driver and front passenger vanity mirrors	S	S	S	S	S	S	S
		<b>Windows</b> , power with driver and passenger Express-Down/Up	S	S	S	S	S	S	S
	K4C	<b>Wireless Charging</b> for devices	--	--	S	--	--	S	S
	PPW	<b>NEW! Wireless Apple CarPlay/Wireless Android Auto</b>	S	S	S	S	S	S	S

S = Standard Equipment A = Available --(dashes) = Not Available D = ADI Available

■ = Included in Equipment Group □ = Included in Equipment Group but upgradeable

Codes listed in the shaded column titled Ref. Only RPO Code are for internal use only and should not be ordered.

Free Flow RPO Code	Ref. Only RPO Code	Description	1LS Coupe	1LT Coupe	2LT Coupe	3LT Coupe	LT1 Coupe	1SS Coupe	2SS Coupe	ZL1 Coupe
			1AG37	1AG37	1AH37	1AH37	1AJ37	1AJ37	1AK37	1AL37
			1LS	1LT	2LT	3LT	1LZ	1SS	2SS	1SE
WBL		<b>Redline Edition</b> , includes (SRI/58E) 20" Black-painted aluminum wheels with Red accents, (CG6) Black Camaro fender badge with Red outline, (VUP) Redline Edition graphics, LPO, (3F9) Red seat belt color, (2F5) Red knee pads and (VYW) Premium carpeted floor mats, LPO 1 - Requires (WRS) RS Package, (H1T/H0Y) Jet Black interior and exterior color (G9K) Satin Steel Metallic, (GAZ) Summit White or (GBA) Black. Not available with P3H, RO1, RO2, RZB. 2 - Requires (H1T/H0Y) Jet Black interior and exterior color (G9K) Satin Steel Metallic, (GAZ) Summit White or (GBA) Black.	--	A <sup>1</sup>	A <sup>1</sup>	A <sup>1</sup>	A <sup>1</sup>	A <sup>2</sup>	A <sup>2</sup>	--
WRS		<b>RS Package</b> , includes dark tint LED tail lamps, RS-specific grilles, Black front and rear bowties, and (D80) decklid-mounted lip spoiler 1 - Also includes (RQ9) 20" 5-split spoke premium Gray-painted, machined-face aluminum wheels. Wheels are upgradeable to RTJ/RTH/WR1/5K9, or upgraded to package specific wheels.	--	A <sup>1</sup>	A <sup>1</sup>	A <sup>1</sup>	A	--	--	--
A9B		<b>Satin Black Appearance Package</b> , includes Satin Black outside mirrors and rear spoiler 1 - Spoiler RPO is D80. 2 - Spoiler RPO is D5Z.	A <sup>1</sup>	A <sup>1</sup>	A <sup>1</sup>	A <sup>1</sup>	A <sup>1</sup>	A <sup>2</sup>	A <sup>2</sup>	--
PDL		<b>NEW! Wild Cherry Design Package 1</b> , includes (RY2) Black Metallic Hash Mark Stripes, LPO (5ZB) Camaro logo wheel center caps, LPO, (WR1/57W) 20" 5-split spoke polished forged wheels and (VYW) premium carpeted floor mats with Camaro logo, LPO 1 - Also includes (CG3) Camaro fender badge emblem. Requires exterior color (GSK) Wild Cherry Tintcoat and (WRS) RS Package. Wheel RPO is WR1. 2 - Requires exterior color (GSK) Wild Cherry Tintcoat and (WRS) RS Package. Wheel RPO is WR1. 3 - Also includes (CG3) Camaro fender badge emblem. Requires exterior color (GSK) Wild Cherry Tintcoat. Wheel RPO is 57W.	--	A <sup>1</sup>	A <sup>1</sup>	A <sup>1</sup>	A <sup>2</sup>	A <sup>3</sup>	A <sup>3</sup>	--

Free Flow RPO Code	Ref. Only RPO Code	Description	1LS	1LT	2LT	3LT	LT1	1SS	2SS	ZL1
			Coupe 1AG37	Coupe 1AG37	Coupe 1AH37	Coupe 1AH37	Coupe 1AJ37	Coupe 1AJ37	Coupe 1AK37	Coupe 1AL37
			1LS	1LT	2LT	3LT	1LZ	1SS	2SS	1SE
PDN		<b>NEW! Wild Cherry Design Package 2</b> , includes (PDL) Wild Cherry Design Package 1, (S0U) Black sueded knee pads, LPO, (VQL) Fuel filler door in Black with visible carbon fiber insert, LPO, (VTD) Carbon Flash Metallic, second generation Ground Effects, LPO and (DUU/DUV/DW8) Center Stripe <b>1 - Requires exterior color (GSK) Wild Cherry Tintcoat and the selection of either (DUU) Black Center Stripe or (DUV) Silver Center Stripe.</b> <b>2 - Requires exterior color (GSK) Wild Cherry Tintcoat and the selection of either (DW8) Black Metallic Center Stripe or (DUV) Silver Center Stripe.</b>	--	--	A <sup>1</sup>	A <sup>1</sup>	--	--	A <sup>2</sup>	--
	U77	<b>Antenna</b> , integral rear window	S	S	S	S	S	S	S	S
		<b>Antenna</b> , OnStar and SiriusXM Radio, fin-type <b>1 - Black.</b> <b>2 - Black, except when (WRS) RS Package is ordered and changes to body-color.</b> <b>3 - Body-color.</b>	S <sup>1</sup>	S <sup>2</sup>	S <sup>2</sup>	S <sup>3</sup>	S <sup>2</sup>	S <sup>3</sup>	S <sup>3</sup>	S <sup>3</sup>
		<b>Bowties</b> , Black, front and rear <b>1 - Included and only available with (WRS) RS Package.</b>	--	A <sup>1</sup>	A <sup>1</sup>	A <sup>1</sup>	S	S	S	S
P3H		<b>Bowties</b> , Black, front and rear <b>1 - Not available with (WRS) RS Package.</b>	A	A <sup>1</sup>	A <sup>1</sup>	A <sup>1</sup>	--	--	--	--
		<b>Daytime Running Lamps</b> , LED	S	S	S	S	S	S	S	S
CG3		<b>Emblem</b> , Camaro fender badge <b>1 - Not available with (WBL) Redline Edition.</b>	A	A <sup>1</sup>	A <sup>1</sup>	A <sup>1</sup>	--	A <sup>1</sup>	A <sup>1</sup>	--
	CG6	<b>Emblem</b> , Black Camaro fender badge with Red outline <b>1 - Included and only available with (WBL) Redline Edition.</b>	--	A <sup>1</sup>	A <sup>1</sup>	A <sup>1</sup>	A <sup>1</sup>	A <sup>1</sup>	A <sup>1</sup>	--
	FTF	<b>Front splitter</b> , Black <b>1 - Included and only available with (A1X) 1LE Track Performance Package.</b>	--	A <sup>1</sup>	A <sup>1</sup>	A <sup>1</sup>	--	--	--	--
	FTJ	<b>Front splitter</b> , Black <b>1 - Included and only available with (A1Y) SS 1LE Track Performance Package.</b>	--	--	--	--	--	A <sup>1</sup>	A <sup>1</sup>	--
		<b>Fueling system</b> , capless	S	S	S	S	S	S	S	S
D88		<b>1LE Hash Mark Decal</b> <b>1 - Requires (A1X/A1Y) 1LE Track Performance Package.</b>	--	A <sup>1</sup>	A <sup>1</sup>	A <sup>1</sup>	--	A <sup>1</sup>	A <sup>1</sup>	--
CFW		<b>Hood insert</b> , visible Carbon Fiber weave	--	--	--	--	--	--	--	A
	DSM	<b>Hood wrap</b> , Satin Black <b>1 - Included and only available with (A1X/A1Y/A1Z) 1LE Track Performance Package.</b>	--	A <sup>1</sup>	A <sup>1</sup>	A <sup>1</sup>	--	A <sup>1</sup>	A <sup>1</sup>	A <sup>1</sup>

Free Flow RPO Code	Ref. Only RPO Code	Description	1LS	1LT	2LT	3LT	LT1	1SS	2SS	ZL1
			Coupe 1AG37	Coupe 1AG37	Coupe 1AH37	Coupe 1AH37	Coupe 1AJ37	Coupe 1AJ37	Coupe 1AK37	Coupe 1AL37
			1LS	1LT	2LT	3LT	1LZ	1SS	2SS	1SE
	UKC	<b>Lane Change Alert</b> with Side Blind Zone Alert	--	--	--	S	--	--	S	S
VK3		<b>License plate bracket, front</b> 1 - Will be forced on orders with ship-to states that require a front license plate.	A <sup>1</sup>	A <sup>1</sup>	A <sup>1</sup>	A <sup>1</sup>	A <sup>1</sup>	A <sup>1</sup>	A <sup>1</sup>	A <sup>1</sup>
PCR		<b>NEW! LPO, Satin Black Front Splitter/Side Rockers Package</b> , includes (STI) Satin Black rocker moldings, LPO and (SL2) Satin Black, second generation front fascia extension, LPO 1 - Requires 5V5, 5ZU, 5ZV, 5ZW, 5ZZ, SB2 or D80. Not available with 5VM, RMH, RZ3 or VTD. 2 - Not available with 5VM, RMH, RZ3 or VTD.	A/D <sup>1</sup>	A/D <sup>1</sup>	A/D <sup>1</sup>	A/D <sup>1</sup>	A/D <sup>1</sup>	A/D <sup>2</sup>	A/D <sup>2</sup>	--
PCK		<b>NEW! LPO, Black Accent Exterior Package</b> , includes (PCR) Satin Black Front Splitter/Side Rockers Package, LPO and (5JX/57S) 20" 5-split spoke Satin Black wheels, LPO 1 - Requires (WRS) RS Package. Not available with SFE, 5VM, RMH, RZ3 or VTD. 2 - Not available with SFE, 5VM, RMH, RZ3 or VTD.	--	A/D <sup>1</sup>	A/D <sup>1</sup>	A/D <sup>1</sup>	A/D <sup>1</sup>	A/D <sup>2</sup>	A/D <sup>2</sup>	--
PCY		<b>NEW! LPO, Red Accent Exterior Package</b> , includes (SHU) Satin Black Hood Stripe with Red Hot Hash Mark, LPO and (RZB) Black lower grille with Red Hot inserts 1 - Not available with RO1, RO2 or exterior colors (G16) Crush, (GKK) Riverside Blue Metallic, (GKO) Shock or (GSK) Wild Cherry Tintcoat. 2 - Not available with WBL, RO1, RO2 or exterior colors (G16) Crush, (GKK) Riverside Blue Metallic, (GKO) Shock or (GSK) Wild Cherry Tintcoat.	A/D <sup>1</sup>	A/D <sup>2</sup>	A/D <sup>2</sup>	A/D <sup>2</sup>	--	--	--	--
PDY		<b>LPO, Body-Color Spoiler with Wicker Package</b> , includes (5ZU) Body-color blade spoiler, LPO and (SIA) Wicker bill, LPO 1 - Requires exterior color (G7C) Red Hot, (GAZ) Summit White, (GBA) Black or (GKK) Riverside Blue Metallic. Not available with any RPO stripe option. 2 - Requires exterior color (G7C) Red Hot, (GAZ) Summit White, (GBA) Black or (GKK) Riverside Blue Metallic. Not available with any RPO stripe option or (D88) 1LE Hash Mark Decal.	A/D <sup>1</sup>	A/D <sup>2</sup>	A/D <sup>2</sup>	A/D <sup>2</sup>	A/D <sup>1</sup>	A/D <sup>2</sup>	A/D <sup>2</sup>	--

Free Flow RPO Code	Ref. Only RPO Code	Description	1LS Coupe 1AG37	1LT Coupe 1AG37	2LT Coupe 1AH37	3LT Coupe 1AH37	LT1 Coupe 1AJ37	1SS Coupe 1AJ37	2SS Coupe 1AK37	ZL1 Coupe 1AL37
			1LS	1LT	2LT	3LT	1LZ	1SS	2SS	1SE
PCJ		<b>LPO, Dark Tint Rear Lighting Package</b> , includes (62O) Clear CHMSL, LPO and (SCY) Dark finish tail lamps, LPO 1 - Not available with (B9M) dark tint tail lamps. 2 - Not available with (WRS) RS Package or (B9M) Dark tint tail lamps.	A/D <sup>1</sup>	A/D <sup>2</sup>	A/D <sup>2</sup>	A/D <sup>2</sup>	--	--	--	--
PCL		<b>LPO, Black Wheel Lug Nuts and Locks Package</b> , includes (SPZ) Black wheel locks, LPO and (SPY) Black lug nuts, LPO 1 - Not available with (SFE) wheel locks, LPO.	--	A/D <sup>1</sup>	A/D <sup>1</sup>	A/D <sup>1</sup>	A/D <sup>1</sup>	A/D <sup>1</sup>	A/D <sup>1</sup>	A/D <sup>1</sup>
5VM		<b>LPO, Ground Effects Package</b> 1 - Requires 5V5 or 5ZU and exterior color (G9K) Satin Steel Metallic, (GAZ) Summit White or (GBA) Black. Not available with RMH, RZ3, VRV, VTD. 2 - Requires WRS, 5V5 or 5ZU and exterior color (G9K) Satin Steel Metallic, (GAZ) Summit White or (GBA) Black. Not available with RMH, RZ3, VRV, VTD. 3 - Requires exterior color (G9K) Satin Steel Metallic, (GAZ) Summit White or (GBA) Black. Not available with RMH, RZ3, VRV, VTD.	A/D <sup>1</sup>	A/D <sup>2</sup>	A/D <sup>2</sup>	A/D <sup>2</sup>	A/D <sup>1</sup>	A/D <sup>3</sup>	A/D <sup>3</sup>	--
VTD		<b>LPO, Ground effects</b> , Carbon Flash Metallic, second generation 1 - Requires 5V5, 5ZU, or D80. Not available with 5VM, RMH, RZ3 or VRV. 2 - Not available with 5VM, RMH, RZ3 or VRV.	A/D <sup>1</sup>	A/D <sup>1</sup>	A/D <sup>1</sup>	A/D <sup>1</sup>	A/D <sup>1</sup>	A/D <sup>2</sup>	A/D <sup>2</sup>	--
RIK		<b>LPO, Black front and rear bowtie emblems</b> 1 - Not available with (R88) Front illuminated and rear non-illuminated bowtie emblems in Black, LPO or (P3H) Black front and rear bowties. 2 - Not available with (WRS) RS Package, (R88) Front illuminated and rear non-illuminated bowtie emblems in Black, LPO or (P3H) Black front and rear bowties.	A/D <sup>1</sup>	A/D <sup>2</sup>	A/D <sup>2</sup>	A/D <sup>2</sup>	--	--	--	--
R88		<b>LPO, Front illuminated and rear non-illuminated bowtie emblems in Black</b> 1 - Not available with (RIK) Black front and rear bowtie emblems, LPO or (P3H) Black front and rear bowties.	A/D <sup>1</sup>	A/D <sup>1</sup>	A/D <sup>1</sup>	A/D <sup>1</sup>	A/D	--	--	--
	62O	<b>LPO, Clear CHMSL</b> (Center High Mount Stop Lamp) 1 - Included and only available with (PCJ) Dark Tint Rear Lighting Package, LPO.	A/D <sup>1</sup>	A/D <sup>1</sup>	A/D <sup>1</sup>	A/D <sup>1</sup>	--	--	--	--
VTA		<b>NEW! LPO, Black exhaust tip</b> 1 - Not available with 5VM, VTD. 2 - Not available with 5VM, VTD, NPP.	A/D <sup>1</sup>	A/D <sup>2</sup>	A/D <sup>2</sup>	A/D <sup>2</sup>	--	A/D <sup>2</sup>	A/D <sup>2</sup>	--

Free Flow RPO Code	Ref. Only RPO Code	Description	1LS	1LT	2LT	3LT	LT1	1SS	2SS	ZL1
			Coupe 1AG37	Coupe 1AG37	Coupe 1AH37	Coupe 1AH37	Coupe 1AJ37	Coupe 1AJ37	Coupe 1AK37	Coupe 1AL37
			1LS	1LT	2LT	3LT	1LZ	1SS	2SS	1SE
5VF		<b>NEW!</b> LPO, Carbon fiber exhaust tip 1 - Not available with 5VM, VTD. 2 - Not available with 5VM, VTD, NPP.	A/D <sup>1</sup>	A/D <sup>2</sup>	A/D <sup>2</sup>	A/D <sup>2</sup>	--	A/D <sup>2</sup>	A/D <sup>2</sup>	--
RZ3		LPO, Front splitter 1 - Requires 5V5, 5ZU or D80 and exterior color (G9K) Satin Steel Metallic, (GAZ) Summit White or (GBA) Black. 2 - Requires 5V5, 5ZU, D80 or WRS and exterior color (G9K) Satin Steel Metallic, (GAZ) Summit White or (GBA) Black. Not available with 5VM, RMH or VTD. 3 - Requires 5V5, 5ZU or D80 and exterior color (G9K) Satin Steel Metallic, (GAZ) Summit White or (GBA) Black. Not available with 5VM or VTD. 4 - Requires exterior color (G9K) Satin Steel Metallic, (GAZ) Summit White or (GBA) Black. Not available with 5VM, RMH or VTD.	A/D <sup>1</sup>	A/D <sup>2</sup>	A/D <sup>2</sup>	A/D <sup>2</sup>	A/D <sup>3</sup>	A/D <sup>4</sup>	A/D <sup>4</sup>	--
SL2		LPO, Front fascia extension, Satin Black, second generation 1 - Requires 5V5, 5ZU, A9B or D80. Not available with 5VM, RMH, RZ3 or VTD. 2 - Not available with 5VM, RMH, RZ3 or VTD.	A/D <sup>1</sup>	A/D <sup>1</sup>	A/D <sup>1</sup>	A/D <sup>1</sup>	A/D <sup>1</sup>	A/D <sup>2</sup>	A/D <sup>2</sup>	--
RIN		LPO, Camaro logo fender badge 1 - Not available with CG3, SFZ. 2 - Not available with CG3, SFZ, WBL.	A/D <sup>1</sup>	A/D <sup>2</sup>	A/D <sup>2</sup>	A/D <sup>2</sup>	--	A/D <sup>2</sup>	A/D <sup>2</sup>	--
SFZ		LPO, Camaro fender badge, Black 1 - Not available with CG3, RIN. 2 - Not available with CG3, RIN, WBL.	A/D <sup>1</sup>	A/D <sup>2</sup>	A/D <sup>2</sup>	A/D <sup>2</sup>	--	A/D <sup>2</sup>	A/D <sup>2</sup>	--
VQL		LPO, Fuel filler door in Black with visible carbon fiber insert	A/D	A/D	A/D	A/D	A/D	A/D	A/D	A/D
VTU		LPO, Fuel filler door in Black with Gloss Black insert	A/D	A/D	A/D	A/D	A/D	A/D	A/D	A/D
W0D		LPO, Fuel filler door in Black with Red Hot insert 1 - Not available with exterior color (G16) Crush, (GKK) Riverside Blue Metallic, (GKO) Shock or (GSK) Wild Cherry Tintcoat.	A/D <sup>1</sup>	A/D <sup>1</sup>	A/D <sup>1</sup>	A/D <sup>1</sup>	A/D <sup>1</sup>	A/D <sup>1</sup>	A/D <sup>1</sup>	A/D <sup>1</sup>
W0E		LPO, Fuel filler door in Black with Silver Ice Metallic insert	A/D	A/D	A/D	A/D	A/D	A/D	A/D	A/D
RZB		LPO, Black lower grille with Red Hot inserts 1 - Not available with RO1, RO2 or exterior colors (G16) Crush, (GKK) Riverside Blue Metallic, (GKO) Shock or (GSK) Wild Cherry Tintcoat.	A/D <sup>1</sup>	A/D <sup>1</sup>	A/D <sup>1</sup>	A/D <sup>1</sup>	--	--	--	--
RO1		LPO, Black lower grille with Silver-painted inserts 1 - Not available with (RO2) Black lower grille with Gloss Black inserts, LPO.	A/D <sup>1</sup>	A/D <sup>1</sup>	A/D <sup>1</sup>	A/D <sup>1</sup>	--	--	--	--

Free Flow RPO Code	Ref. Only RPO Code	Description	1LS Coupe 1AG37	1LT Coupe 1AG37	2LT Coupe 1AH37	3LT Coupe 1AH37	LT1 Coupe 1AJ37	1SS Coupe 1AJ37	2SS Coupe 1AK37	ZL1 Coupe 1AL37
			1LS	1LT	2LT	3LT	1LZ	1SS	2SS	1SE
RO2		<b>LPO, Black lower grille with Gloss Black inserts</b> 1 - Not available with (RO1) Black lower grille with Silver-painted inserts, LPO.	A/D <sup>1</sup>	A/D <sup>1</sup>	A/D <sup>1</sup>	A/D <sup>1</sup>	--	--	--	--
STI		<b>LPO, Satin Black rocker moldings</b> 1 - Not available with 5VM, RMH, RZ3, VRV, VTD.	A/D <sup>1</sup>	A/D <sup>1</sup>	A/D <sup>1</sup>	A/D <sup>1</sup>	A/D <sup>1</sup>	A/D <sup>1</sup>	A/D <sup>1</sup>	--
RMH		<b>LPO, Front splitter, Carbon Flash Metallic</b> 1 - Requires 5V5, 5ZU or D80. Not available with 5VM, RZ3, VTD. 2 - Not available with 5VM, RZ3, VTD.	A/D <sup>1</sup>	A/D <sup>1</sup>	A/D <sup>1</sup>	A/D <sup>1</sup>	A/D <sup>1</sup>	A/D <sup>2</sup>	A/D <sup>2</sup>	--
VRV		<b>LPO, Body-color painted splash guards</b> 1 - Not available with 5VM, RMH, RZ3, STI, VTD or exterior colors (G16) Crush and (GKO) Shock.	A/D <sup>1</sup>	A/D <sup>1</sup>	A/D <sup>1</sup>	A/D <sup>1</sup>	A/D <sup>1</sup>	A/D <sup>1</sup>	A/D <sup>1</sup>	--
5ZU		<b>LPO, Body-color blade spoiler</b> 1 - Requires exterior color (G7C) Red Hot, (GAZ) Summit White, (GBA) Black or (GKK) Riverside Blue Metallic. Not available with any RPO stripe option. 2 - Requires (D80) decklid-mounted lip spoiler and exterior color (G7C) Red Hot, (GAZ) Summit White, (GBA) Black or (GKK) Riverside Blue Metallic. Not available with any RPO stripe option.	A/D <sup>1</sup>	A/D <sup>1</sup>	A/D <sup>1</sup>	A/D <sup>1</sup>	A/D <sup>1</sup>	A/D <sup>2</sup>	A/D <sup>2</sup>	--
5ZZ		<b>LPO, Carbon Flash Metallic blade spoiler</b> 1 - Not available with any RPO stripe option.	A/D <sup>1</sup>	A/D <sup>1</sup>	A/D <sup>1</sup>	A/D <sup>1</sup>	A/D <sup>1</sup>	A/D <sup>1</sup>	A/D <sup>1</sup>	--
5ZV		<b>LPO, Satin Black blade spoiler</b> 1 - Not available with any RPO stripe option.	A/D <sup>1</sup>	A/D <sup>1</sup>	A/D <sup>1</sup>	A/D <sup>1</sup>	A/D <sup>1</sup>	A/D <sup>1</sup>	A/D <sup>1</sup>	--
5V5		<b>LPO, Body-color high-wing spoiler</b> 1 - Requires exterior color (G7C) Red Hot, (G9K) Satin Steel Metallic, (GAZ) Summit White, (GBA) Black or (GKK) Riverside Blue Metallic. Not available with any RPO stripe option. 2 - Requires (D80) decklid-mounted lip spoiler and exterior color (G7C) Red Hot, (G9K) Satin Steel Metallic, (GAZ) Summit White, (GBA) Black or (GKK) Riverside Blue Metallic. Not available with any RPO stripe option.	A/D <sup>1</sup>	A/D <sup>1</sup>	A/D <sup>1</sup>	A/D <sup>1</sup>	A/D <sup>1</sup>	A/D <sup>2</sup>	A/D <sup>2</sup>	--
SB2		<b>LPO, Carbon Flash Metallic wing spoiler</b> 1 - Not available with any RPO stripe option.	A/D <sup>1</sup>	A/D <sup>1</sup>	A/D <sup>1</sup>	A/D <sup>1</sup>	A/D <sup>1</sup>	A/D <sup>1</sup>	A/D <sup>1</sup>	--
5ZW		<b>LPO, Satin Black wing spoiler</b> 1 - Not available with any RPO stripe option.	A/D <sup>1</sup>	A/D <sup>1</sup>	A/D <sup>1</sup>	A/D <sup>1</sup>	A/D <sup>1</sup>	A/D <sup>1</sup>	A/D <sup>1</sup>	--



Free Flow RPO Code	Ref. Only RPO Code	Description	1LS	1LT	2LT	3LT	LT1	1SS	2SS	ZL1
			Coupe 1AG37	Coupe 1AG37	Coupe 1AH37	Coupe 1AH37	Coupe 1AJ37	Coupe 1AJ37	Coupe 1AK37	Coupe 1AL37
			1LS	1LT	2LT	3LT	1LZ	1SS	2SS	1SE
6ZQ		<b>LPO, ZL1 1LE SPEC visible carbon fiber spoiler</b> 1 - Requires 5VM, RMH, RZ3, VTD. Not available with any RPO stripe option. 2 - Not available with any RPO stripe option.	--	--	--	--	--	A/D <sup>1</sup>	A/D <sup>1</sup>	A/D <sup>2</sup>
SB3		<b>LPO, ZL1 SPEC rear spoiler, body-color</b> 1 - Requires exterior color (G7C) Red Hot, (GAZ) Summit White, (GBA) Black or (GKK) Riverside Blue Metallic. Not available with any stripes.	--	--	--	--	--	A/D <sup>1</sup>	A/D <sup>1</sup>	--
RY2		<b>LPO, Black Metallic Hash Mark Stripes</b>	A/D	A/D	A/D	A/D	A/D	A/D	A/D	--
VPO		<b>LPO, Gray Hash Mark Stripes</b>	A/D	A/D	A/D	A/D	A/D	A/D	A/D	--
SNG		<b>LPO, Red Hash Mark Stripes</b> 1 - Not available with exterior color (GSK) Wild Cherry Tintcoat.	A/D <sup>1</sup>	A/D <sup>1</sup>	A/D <sup>1</sup>	A/D <sup>1</sup>	A/D <sup>1</sup>	A/D <sup>1</sup>	A/D <sup>1</sup>	--
SF9		<b>LPO, Blue Hash Mark Stripes</b> 1 - Not available with exterior colors (G7C) Red Hot, (GKK) Riverside Blue Metallic or (GSK) Wild Cherry Tintcoat.	A/D <sup>1</sup>	A/D <sup>1</sup>	A/D <sup>1</sup>	A/D <sup>1</sup>	A/D <sup>1</sup>	A/D <sup>1</sup>	A/D <sup>1</sup>	--
SHQ		<b>LPO, Silver Hash Mark Stripes</b>	A/D	A/D	A/D	A/D	A/D	A/D	A/D	--
SFC		<b>LPO, White Pearl Hash Mark Stripes</b>	A/D	A/D	A/D	A/D	A/D	A/D	A/D	--
SHU		<b>LPO, Satin Black Hood Stripe with Red Hot Hash Mark</b>	A/D	A/D	A/D	A/D	A/D	A/D	A/D	--
SHS		<b>LPO, Satin Black Hood Stripe with Silver Ice Metallic Hash Mark</b>	A/D	A/D	A/D	A/D	A/D	A/D	A/D	--
VPW		<b>LPO, Black Metallic Body-Side Spear Stripes</b>	A/D	A/D	A/D	A/D	A/D	A/D	A/D	--
SNS		<b>LPO, Blue Body-Side Spear Stripes</b> 1 - Not available with exterior colors (G7C) Red Hot, (GKK) Riverside Blue Metallic or (GSK) Wild Cherry Tintcoat.	A/D <sup>1</sup>	A/D <sup>1</sup>	A/D <sup>1</sup>	A/D <sup>1</sup>	A/D <sup>1</sup>	A/D <sup>1</sup>	A/D <sup>1</sup>	--
SNQ		<b>LPO, Gray Body-Side Spear Stripes</b> 1 - Not available with exterior color (GJI) Shadow Gray Metallic.	A/D <sup>1</sup>	A/D <sup>1</sup>	A/D <sup>1</sup>	A/D <sup>1</sup>	A/D <sup>1</sup>	A/D <sup>1</sup>	A/D <sup>1</sup>	--
SNP		<b>LPO, Red Body-Side Spear Stripes</b> 1 - Not available with exterior color (G16) Crush, (G7C) Red Hot, (GKO) Shock or (GSK) Wild Cherry Tintcoat.	A/D <sup>1</sup>	A/D <sup>1</sup>	A/D <sup>1</sup>	A/D <sup>1</sup>	A/D <sup>1</sup>	A/D <sup>1</sup>	A/D <sup>1</sup>	--
SF8		<b>LPO, Silver Body-Side Spear Stripes</b>	A/D	A/D	A/D	A/D	A/D	A/D	A/D	--
SNH		<b>LPO, White Pearl Body-Side Spear Stripes</b> 1 - Not available with exterior color (GAZ) Summit White.	A/D <sup>1</sup>	A/D <sup>1</sup>	A/D <sup>1</sup>	A/D <sup>1</sup>	A/D <sup>1</sup>	A/D <sup>1</sup>	A/D <sup>1</sup>	--
SB7		<b>LPO, Red Spider Stripes</b> 1 - Not available with exterior colors (G7C) Red Hot or (GSK) Wild Cherry Tintcoat or with (C3O/BO3/BO4/C2U) Rally Stripes.	A/D <sup>1</sup>	A/D <sup>1</sup>	A/D <sup>1</sup>	A/D <sup>1</sup>	A/D <sup>1</sup>	A/D <sup>1</sup>	A/D <sup>1</sup>	--

Free Flow RPO Code	Ref. Only RPO Code	Description	1LS Coupe 1AG37	1LT Coupe 1AG37	2LT Coupe 1AH37	3LT Coupe 1AH37	LT1 Coupe 1AJ37	1SS Coupe 1AJ37	2SS Coupe 1AK37	ZL1 Coupe 1AL37
			1LS	1LT	2LT	3LT	1LZ	1SS	2SS	1SE
SB9		<b>LPO, Black Spider Stripes</b> 1 - Not available with (C3O/BO3/BO4/C2U) Rally Stripes.	A/D <sup>1</sup>	A/D <sup>1</sup>	A/D <sup>1</sup>	A/D <sup>1</sup>	A/D <sup>1</sup>	A/D <sup>1</sup>	A/D <sup>1</sup>	--
SNB		<b>LPO, Silver Spider Stripes</b> 1 - Not available with (C3O/BO3/BO4/C2U) Rally Stripes.	A/D <sup>1</sup>	A/D <sup>1</sup>	A/D <sup>1</sup>	A/D <sup>1</sup>	A/D <sup>1</sup>	A/D <sup>1</sup>	A/D <sup>1</sup>	--
SNC		<b>LPO, White Pearl Spider Stripes</b> 1 - Not available with exterior color (GAZ) Summit White or with (C3O/BO3/BO4/C2U) Rally Stripes.	A/D <sup>1</sup>	A/D <sup>1</sup>	A/D <sup>1</sup>	A/D <sup>1</sup>	A/D <sup>1</sup>	A/D <sup>1</sup>	A/D <sup>1</sup>	--
SNJ		<b>LPO, Black Metallic Stinger Stripe</b> 1 - Not available with (DUU/DUV/DW7/DW8) Center Stripe or (C3O/BO3/BO4/C2U) Rally Stripes.	A/D <sup>1</sup>	A/D <sup>1</sup>	A/D <sup>1</sup>	A/D <sup>1</sup>	A/D <sup>1</sup>	A/D <sup>1</sup>	A/D <sup>1</sup>	--
SFA		<b>LPO, Red Stinger Stripe</b> 1 - Not available with exterior color (G16) Crush, (G7C) Red Hot, (GKO) Shock or (GSK) Wild Cherry Tintcoat or with (DUU/DUV/DW7/DW8) Center Stripe or (C3O/BO3/BO4/C2U) Rally Stripes.	A/D <sup>1</sup>	A/D <sup>1</sup>	A/D <sup>1</sup>	A/D <sup>1</sup>	A/D <sup>1</sup>	A/D <sup>1</sup>	A/D <sup>1</sup>	--
SNE		<b>LPO, Silver Stinger Stripe</b> 1 - Not available with (DUU/DUV/DW7/DW8) Center Stripe or (C3O/BO3/BO4/C2U) Rally Stripes.	A/D <sup>1</sup>	A/D <sup>1</sup>	A/D <sup>1</sup>	A/D <sup>1</sup>	A/D <sup>1</sup>	A/D <sup>1</sup>	A/D <sup>1</sup>	--
SNM		<b>LPO, White Pearl Stinger Stripe</b> 1 - Not available with exterior color (GAZ) Summit White or with (DUU/DUV/DW7/DW8) Center Stripe or (C3O/BO3/BO4/C2U) Rally Stripes.	A/D <sup>1</sup>	A/D <sup>1</sup>	A/D <sup>1</sup>	A/D <sup>1</sup>	A/D <sup>1</sup>	A/D <sup>1</sup>	A/D <sup>1</sup>	--
	VUP	<b>LPO, Redline Edition graphics</b> 1 - Included and only available with (WBL) Redline Edition.	--	A/D <sup>1</sup>	A/D <sup>1</sup>	A/D <sup>1</sup>	A/D <sup>1</sup>	A/D <sup>1</sup>	A/D <sup>1</sup>	--
SCY		<b>LPO, Dark finish tail lamps</b> 1 - Not available with (B9M) dark tint tail lamps. 2 - Not available with (B9M) dark tint tail lamps or (WRS) RS Package.	A/D <sup>1</sup>	A/D <sup>2</sup>	A/D <sup>2</sup>	A/D <sup>2</sup>	--	--	--	--
RWH		<b>LPO, Indoor vehicle cover</b> , Black with Camaro logo	A/D	A/D	A/D	A/D	A/D	A/D	A/D	--
RWH		<b>LPO, Indoor vehicle cover</b> , Black with ZL1 logo	--	--	--	--	--	--	--	A/D
VDN		<b>LPO, Indoor vehicle cover</b> , Gray	A/D	A/D	A/D	A/D	A/D	A/D	A/D	A/D
SL1		<b>LPO, Indoor vehicle cover</b> , Red	A/D	A/D	A/D	A/D	A/D	A/D	A/D	A/D
RWJ		<b>LPO, Outdoor vehicle cover</b> , Black	A/D	A/D	A/D	A/D	A/D	A/D	A/D	A/D
VRU		<b>LPO, Outdoor vehicle cover</b> , Gray	A/D	A/D	A/D	A/D	A/D	A/D	A/D	A/D
RNX		<b>LPO, Outdoor vehicle cover</b> , Red	A/D	A/D	A/D	A/D	A/D	A/D	A/D	A/D
VGS		<b>LPO, Outdoor vehicle cover</b> , Gray, ZL1 logo	--	--	--	--	--	--	--	A/D

Free Flow RPO Code	Ref. Only RPO Code	Description	1LS Coupe 1AG37	1LT Coupe 1AG37	2LT Coupe 1AH37	3LT Coupe 1AH37	LT1 Coupe 1AJ37	1SS Coupe 1AJ37	2SS Coupe 1AK37	ZL1 Coupe 1AL37
			1LS	1LT	2LT	3LT	1LZ	1SS	2SS	1SE
RXH		<b>LPO, Silver RS wheel center caps</b> 1 - Requires (WRS) RS Package. Not available with RTH, SHL.	--	A/D <sup>1</sup>	A/D <sup>1</sup>	A/D <sup>1</sup>	--	--	--	--
VW9		<b>LPO, Black SS wheel center caps</b>	--	--	--	--	--	A/D	A/D	--
RXJ		<b>LPO, Silver SS wheel center caps</b> 1 - Not available with 56H, 56V.	--	--	--	--	--	A/D <sup>1</sup>	A/D <sup>1</sup>	--
5ZB		<b>LPO, Camaro logo wheel center caps</b> 1 - Not available with RTH, SHL. 2 - Not available with (RTH) 20" 5-spoke Carbon Flash painted aluminum wheels. 3 - Not available with (56H) SS 20" (50.8 cm) 5-spoke gloss Black wheels with Red stripe, LPO. 4 - Not available with 56H, 56V.	--	A/D <sup>1</sup>	A/D <sup>1</sup>	A/D <sup>1</sup>	A/D <sup>2</sup>	A/D <sup>3</sup>	A/D <sup>4</sup>	--
	VWD	<b>LPO, Gloss Black wheel center caps with Silver bowtie</b> 1 - Included and only available with (SHL) 20" 5-spoke gloss Black wheels with Red outline stripe, LPO. 2 - Included and only available with (56H) SS 20" 5-spoke gloss Black wheels with Red stripe, LPO.	--	A/D <sup>1</sup>	A/D <sup>1</sup>	A/D <sup>1</sup>	--	A/D <sup>2</sup>	A/D <sup>2</sup>	--
5ZD		<b>LPO, Wheel center caps, Performance</b> 1 - Not available with SHL, SKW. 2 - Not available with 56H, 56M.	--	A/D <sup>1</sup>	A/D <sup>1</sup>	A/D <sup>1</sup>	A/D	A/D <sup>2</sup>	A/D <sup>2</sup>	--
SFE		<b>LPO, Wheel locks</b> 1 - (SFE) Wheel locks is included with all LPO wheels.	A/D	A/D <sup>1</sup>	A/D <sup>1</sup>	A/D <sup>1</sup>	A/D <sup>1</sup>	A/D <sup>1</sup>	A/D <sup>1</sup>	A/D
SPZ		<b>LPO, Black wheel locks</b> 1 - Not available with (SFE) wheel locks, LPO.	--	A/D <sup>1</sup>	A/D <sup>1</sup>	A/D <sup>1</sup>	A/D <sup>1</sup>	A/D <sup>1</sup>	A/D <sup>1</sup>	A/D <sup>1</sup>
SPY		<b>LPO, Black lug nuts</b> 1 - Not available with (SFE) wheel locks, LPO.	--	A/D <sup>1</sup>	A/D <sup>1</sup>	A/D <sup>1</sup>	A/D <sup>1</sup>	A/D <sup>1</sup>	A/D <sup>1</sup>	A/D <sup>1</sup>
SHL		<b>LPO, 20" (50.8 cm) 5-spoke gloss Black wheels with Red outline stripe.</b> When ordering SHL with other optional wheels, 2 complete sets of wheels are being ordered. Please ensure customer desires both sets of wheels before proceeding to place order with LPO wheels SHL. 1 - Includes (VWD) Gloss Black wheel center caps with Silver bowtie, LPO. Not available with (SFE) wheel locks, LPO. When ordered with factory-installed (REG) 18" Silver-painted aluminum wheels, a more sporty ride will be experienced and will include 20" tires. 2 - Not available with (SFE) wheel locks, LPO.	--	A/D <sup>1</sup>	A/D <sup>1</sup>	A/D <sup>1</sup>	A/D <sup>2</sup>	--	--	--

Free Flow RPO Code	Ref. Only RPO Code	Description	1LS Coupe 1AG37	1LT Coupe 1AG37	2LT Coupe 1AH37	3LT Coupe 1AH37	LT1 Coupe 1AJ37	1SS Coupe 1AJ37	2SS Coupe 1AK37	ZL1 Coupe 1AL37
			1LS	1LT	2LT	3LT	1LZ	1SS	2SS	1SE
56H		<b>LPO, SS 20" (50.8 cm) 5-spoke gloss Black wheels with Red stripe.</b> When ordering 56H with other optional wheels, 2 complete sets of wheels are being ordered. Please ensure customer desires both sets of wheels before proceeding to place order with LPO wheels 56H. Includes (VWD) Gloss Black wheel center caps with Silver bowtie, LPO. <b>1 - Not available with (SFE) wheel locks, LPO.</b>	--	--	--	--	--	A/D <sup>1</sup>	A/D <sup>1</sup>	--
SKW		<b>LPO, 20" (50.8 cm) 5-split spoke machined-face wheels.</b> When ordering SKW with other optional wheels, 2 complete sets of wheels are being ordered. Please ensure customer desires both sets of wheels before proceeding to place order with LPO wheels SKW. <b>1 - Not available with (SFE) wheel locks, LPO. When ordered with factory-installed (REG) 18" Silver-painted aluminum wheels, a more sporty ride will be experienced and will include 20" tires.</b> <b>2 - Not available with (SFE) wheel locks, LPO.</b>	--	A/D <sup>1</sup>	A/D <sup>1</sup>	A/D <sup>1</sup>	A/D <sup>2</sup>	--	--	--
56M		<b>LPO, SS 20" (50.8 cm) 5-split spoke machined-face wheels.</b> When ordering 56M with other optional wheels, 2 complete sets of wheels are being ordered. Please ensure customer desires both sets of wheels before proceeding to place order with LPO wheels 56M. <b>1 - Not available with (SFE) wheel locks, LPO.</b>	--	--	--	--	--	A/D <sup>1</sup>	A/D <sup>1</sup>	--
5JX		<b>LPO, LT 20" (50.8 cm) 5-split spoke Satin Black wheels.</b> When ordering 5JX with other optional wheels, 2 complete sets of wheels are being ordered. Please ensure customer desires both sets of wheels before proceeding to place order with LPO wheels 5JX. <b>1 - Not available with (SFE) wheel locks, LPO. When ordered with factory-installed (REG) 18" Silver-painted aluminum wheels, a more sporty ride will be experienced and will include 20" tires.</b> <b>2 - Not available with (SFE) wheel locks, LPO.</b>	--	A/D <sup>1</sup>	A/D <sup>1</sup>	A/D <sup>1</sup>	A/D <sup>2</sup>	--	--	--

Free Flow RPO Code	Ref. Only RPO Code	Description	1LS Coupe 1AG37	1LT Coupe 1AG37	2LT Coupe 1AH37	3LT Coupe 1AH37	LT1 Coupe 1AJ37	1SS Coupe 1AJ37	2SS Coupe 1AK37	ZL1 Coupe 1AL37
			1LS	1LT	2LT	3LT	1LZ	1SS	2SS	1SE
57S		<b>LPO, SS 20" (50.8 cm) 5-split spoke Satin Black wheels.</b> When ordering 57S with other optional wheels, 2 complete sets of wheels are being ordered. Please ensure customer desires both sets of wheels before proceeding to place order with LPO wheels 57S. 1 - Not available with (SFE) wheel locks, LPO.	--	--	--	--	--	A/D <sup>1</sup>	A/D <sup>1</sup>	--
SIA		<b>LPO, Wicker bill</b> 1 - Requires (5ZU) Body-color blade spoiler, LPO. 2 - Requires (5ZU) Body-color blade spoiler, LPO or (A1X/A1Y) 1LE Track Performance Package.	A/D <sup>1</sup>	A/D <sup>2</sup>	A/D <sup>2</sup>	A/D <sup>2</sup>	A/D <sup>1</sup>	A/D <sup>2</sup>	A/D <sup>2</sup>	--
	DG7	<b>Mirrors</b> , outside power-adjustable, body-color	S	S	S	--	S	S	--	--
	DD1	<b>Mirrors</b> , outside heated power-adjustable and driver-side auto-dimming, body-color	--	--	--	S	--	--	S	S
	UFG	<b>Rear Cross Traffic Alert</b>	--	--	--	S	--	--	S	S
	UD7	<b>Rear Park Assist</b>	--	--	--	S	--	--	S	S
	D5Z	<b>Spoiler</b> , rear, stanchion	--	--	--	--	--	S	S	--
	D52	<b>Spoiler</b> , rear, sport	--	--	--	--	--	--	--	S
D80		<b>Spoiler</b> , decklid-mounted lip spoiler 1 - Included with (A9B) Satin Black Appearance Package. 2 - Included with (A9B) Satin Black Appearance Package or (WRS) RS Package. 3 - Included and only available with 5V5, 5ZU, 5ZV, 5ZW, 5ZZ, SB2.	A <sup>1</sup>	A <sup>2</sup>	A <sup>2</sup>	A <sup>2</sup>	A <sup>2</sup>	A <sup>3</sup>	A <sup>3</sup>	--
	D5S	<b>Spoiler</b> , rear, blade, Satin Black 1 - Included and only available with (A1X/A1Y) 1LE Track Performance Package.	--	A <sup>1</sup>	A <sup>1</sup>	A <sup>1</sup>	--	A <sup>1</sup>	A <sup>1</sup>	--
	T42	<b>Spoiler</b> , rear, visible weave carbon fiber 1 - Included and only available with (A1Z) ZL1 1LE Extreme Track Performance Package.	--	--	--	--	--	--	--	A <sup>1</sup>
DUU		<b>Black Center Stripe</b> 1 - Not available with exterior color (GBA) Black.	A <sup>1</sup>	A <sup>1</sup>	A <sup>1</sup>	A <sup>1</sup>	--	--	--	--
DW8		<b>Black Metallic Center Stripe</b>	--	--	--	--	A	A	A	--
DVV		<b>Black Metallic Center Stripe</b> 1 - Roof, decklid and spoiler only, Not available with (CFW) Carbon Fiber weave hood insert.	--	--	--	--	--	--	--	A <sup>1</sup>
DUV		<b>Silver Center Stripe</b>	A	A	A	A	A	A	A	--

Free Flow RPO Code	Ref. Only RPO Code	Description	1LS Coupe 1AG37	1LT Coupe 1AG37	2LT Coupe 1AH37	3LT Coupe 1AH37	LT1 Coupe 1AJ37	1SS Coupe 1AJ37	2SS Coupe 1AK37	ZL1 Coupe 1AL37
			1LS	1LT	2LT	3LT	1LZ	1SS	2SS	1SE
DW7		<b>White Pearl Center Stripe</b> 1 - Not available with exterior color (GAZ) Summit White.	A <sup>1</sup>	A <sup>1</sup>	A <sup>1</sup>	A <sup>1</sup>	A <sup>1</sup>	A <sup>1</sup>	A <sup>1</sup>	--
C3O		<b>Black Rally Stripes</b> 1 - Not available with exterior color (GBA) Black.	A <sup>1</sup>	A <sup>1</sup>	A <sup>1</sup>	A <sup>1</sup>	--	--	--	--
BO4		<b>Black Metallic Rally Stripes</b>	--	--	--	--	A	A	A	--
C2U		<b>Silver Rally Stripes</b>	A	A	A	A	A	A	A	--
BO3		<b>White Pearl Rally Stripes</b> 1 - Not available with exterior color (GAZ) Summit White.	A <sup>1</sup>	A <sup>1</sup>	A <sup>1</sup>	A <sup>1</sup>	A <sup>1</sup>	A <sup>1</sup>	A <sup>1</sup>	--
		<b>Tail lamps, dark tint</b> 1 - Included and only available with (WRS) RS Package.	--	A <sup>1</sup>	A <sup>1</sup>	A <sup>1</sup>	A <sup>1</sup>	S	S	S
B9M		<b>Tail lamps, dark tint</b> 1 - Not available with (WRS) RS Package since it already includes dark tint tail lamps.	A	A <sup>1</sup>	A <sup>1</sup>	A <sup>1</sup>	--	--	--	--
	KTI	<b>Tire inflation kit</b> 1 - Included and only available with (R0H) 245/50R18, blackwall, all-season tires. 2 - Included and only available with (R0G) 285/30R20 front and 305/30R20 rear, blackwall, summer-only tires.	A <sup>1</sup>	A <sup>1</sup>	A <sup>1</sup>	A <sup>1</sup>	--	A <sup>2</sup>	A <sup>2</sup>	S
	R0H	<b>Tires, 245/50R18, blackwall, all-season, includes (KTI) tire inflator kit</b>	S	S	S	S	--	--	--	--
	R0F	<b>Tires, 245/40ZR20 front and 275/35ZR20 rear, blackwall, summer-only, run-flat</b> 1 - Included and only available with (A1X) 1LE Track Performance Package. Do not use summer only tires in winter conditions, as it would adversely affect vehicle safety, performance and durability. Use only GM-approved tire and wheel combinations. Unapproved combinations may change the vehicle's performance characteristics. For important tire and wheel information, go to <a href="https://my.chevrolet.com/learnAbout/chevrolettires">https://my.chevrolet.com/learnAbout/chevrolettires</a> or see your dealer. 2 - Do not use summer only tires in winter conditions, as it would adversely affect vehicle safety, performance and durability. Use only GM-approved tire and wheel combinations. Unapproved combinations may change the vehicle's performance characteristics. For important tire and wheel information, go to <a href="https://my.chevrolet.com/learnAbout/chevrolettires">https://my.chevrolet.com/learnAbout/chevrolettires</a> or see your dealer.	--	A <sup>1</sup>	A <sup>1</sup>	A <sup>1</sup>	--	S <sup>2</sup>	S <sup>2</sup>	--

Free Flow RPO Code	Ref. Only RPO Code	Description	1LS Coupe 1AG37	1LT Coupe 1AG37	2LT Coupe 1AH37	3LT Coupe 1AH37	LT1 Coupe 1AJ37	1SS Coupe 1AJ37	2SS Coupe 1AK37	ZL1 Coupe 1AL37
			1LS	1LT	2LT	3LT	1LZ	1SS	2SS	1SE
				R0G	<b>Tires</b> , 285/30R20 front and 305/30R20 rear, blackwall, summer-only 1 - Included and only available with (A1Y) SS 1LE Track Performance Package. Includes (KTI) tire inflator kit. Do not use summer only tires in winter conditions, as it would adversely affect vehicle safety, performance and durability. Use only GM-approved tire and wheel combinations. Unapproved combinations may change the vehicle's performance characteristics. For important tire and wheel information, go to <a href="https://my.chevrolet.com/learnAbout/chevrolettires">https://my.chevrolet.com/learnAbout/chevrolettires</a> or see your dealer. 2 - Do not use summer only tires in winter conditions, as it would adversely affect vehicle safety, performance and durability. Use only GM-approved tire and wheel combinations. Unapproved combinations may change the vehicle's performance characteristics. For important tire and wheel information, go to <a href="https://my.chevrolet.com/learnAbout/chevrolettires">https://my.chevrolet.com/learnAbout/chevrolettires</a> or see your dealer.	--	--	--	--	--
	R29	<b>Tires</b> , 245/40R20, blackwall, all-season, run-flat 1 - Included and only available with (RTJ/RTH/RQ9/WR1/SRI/5K9) 20" wheels.	--	A <sup>1</sup>	A <sup>1</sup>	A <sup>1</sup>	S	--	--	--
	R6O	<b>Tires</b> , 305/30R19 front and 325/30R19 rear, blackwall, summer-only 1 - Included and only available with (A1Z) ZL1 1LE Extreme Track Performance Package. Do not use summer only tires in winter conditions, as it would adversely affect vehicle safety, performance and durability. Use only GM-approved tire and wheel combinations. Unapproved combinations may change the vehicle's performance characteristics. For important tire and wheel information, go to <a href="https://my.chevrolet.com/learnAbout/chevrolettires">https://my.chevrolet.com/learnAbout/chevrolettires</a> or see your dealer.	--	--	--	--	--	--	--	A <sup>1</sup>
	SGE	<b>Wheels</b> , 18" (45.7 cm) 5-split spoke Silver-painted aluminum	S	--	--	--	--	--	--	--
	REG	<b>Wheels</b> , 18" (45.7 cm) Silver-painted aluminum	--	S	S	S	--	--	--	--
	RQA	<b>Wheels</b> , 20" (50.8 cm) Silver-painted aluminum	--	--	--	--	S	--	--	--
	56S	<b>Wheels</b> , 20" x 8.5" (50.8 cm x 21.6 cm) front and 20" x 9.5" (50.8 cm x 24.1 cm) rear bright 5-spoke Silver-painted aluminum	--	--	--	--	--	S	S	--
	RTQ	<b>Wheels</b> , 20" x 10" (50.8 cm x 25.4 cm) front and 20" x 11" (50.8 cm x 27.9 cm) rear Dark Graphite premium paint, forged aluminum	--	--	--	--	--	--	--	S

Free Flow RPO Code	Ref. Only RPO Code	Description	1LS Coupe 1AG37	1LT Coupe 1AG37	2LT Coupe 1AH37	3LT Coupe 1AH37	LT1 Coupe 1AJ37	1SS Coupe 1AJ37	2SS Coupe 1AK37	ZL1 Coupe 1AL37
			1LS	1LT	2LT	3LT	1LZ	1SS	2SS	1SE
RTJ		<b>Wheels, 20" (50.8 cm) 5-spilt spoke bright Silver-painted aluminum</b> 1 - Requires (WRS) RS Package.	--	A <sup>1</sup>	A <sup>1</sup>	A <sup>1</sup>	A	--	--	--
RTH		<b>Wheels, 20" (50.8 cm) 5-spoke Carbon Flash painted aluminum</b>	--	A	A	A	A	--	--	--
RQ9		<b>Wheels, 20" (50.8 cm) 5-split spoke premium Gray-painted, machined-face aluminum</b> 1 - Included and only available with (WRS) RS Package.	--	A <sup>1</sup>	A <sup>1</sup>	A <sup>1</sup>	A	--	--	--
WR1		<b>Wheels, 20" (50.8 cm) 5-split spoke polished forged with Black star center cap</b> 1 - Requires (WRS) RS Package.	--	A <sup>1</sup>	A <sup>1</sup>	A <sup>1</sup>	A	--	--	--
5K9		<b>Wheels, 20" (50.8 cm) Caliente</b> 1 - Requires (WRS) RS Package.	--	A <sup>1</sup>	A <sup>1</sup>	A <sup>1</sup>	A	--	--	--
	56Z	<b>Wheels, 20" x 8.5" (50.8 cm x 21.6 cm) front and 20" x 9.5" (50.8 cm x 24.1 cm) rear low gloss Black-painted forged aluminum</b> 1 - Included and only available with (A1X) 1LE Track Performance Package.	--	A <sup>1</sup>	A <sup>1</sup>	A <sup>1</sup>	--	--	--	--
	SRI	<b>Wheels, 20" (50.8 cm) Black-painted aluminum with Red accents</b> 1 - Included and only available with (WBL) Redline Edition.	--	A <sup>1</sup>	A <sup>1</sup>	A <sup>1</sup>	A <sup>1</sup>	--	--	--
56R		<b>Wheels, 20" x 8.5" (50.8 cm x 21.6 cm) front and 20" x 9.5" (50.8 cm x 24.1 cm) rear 5-split spoke premium Gray-painted machined-face aluminum</b>	--	--	--	--	--	A	A	--
56W		<b>Wheels, 20" x 8.5" (50.8 cm x 21.6 cm) front and 20" x 9.5" (50.8 cm x 24.1 cm) rear 5-spilt spoke bright Silver-painted aluminum</b>	--	--	--	--	--	A	A	--
56V		<b>Wheels, 20" x 8.5" (50.8 cm x 21.6 cm) front and 20" x 9.5" (50.8 cm x 24.1 cm) rear 5-spoke Carbon Flash painted aluminum</b>	--	--	--	--	--	A	A	--
57W		<b>Wheels, 20" x 8.5" (50.8 cm x 21.6 cm) front and 20" x 9.5" (50.8 cm x 24.1 cm) rear 5-split spoke polished forged with Black star center cap</b>	--	--	--	--	--	A	A	--
57V		<b>Wheels, 20" x 8.5" (50.8 cm x 21.6 cm) front and 20" x 9.5" (50.8 cm x 24.1 cm) rear Caliente</b>	--	--	--	--	--	A	A	--
	58E	<b>Wheels, 20" x 8.5" (50.8 cm x 21.6 cm) front and 20" x 9.5" (50.8 cm x 24.1 cm) rear Black-painted aluminum with Red accents</b> 1 - Included and only available with (WBL) Redline Edition.	--	--	--	--	--	A <sup>1</sup>	A <sup>1</sup>	--



Free Flow RPO Code	Ref. Only RPO Code	Description	1LS Coupe 1AG37	1LT Coupe 1AG37	2LT Coupe 1AH37	3LT Coupe 1AH37	LT1 Coupe 1AJ37	1SS Coupe 1AJ37	2SS Coupe 1AK37	ZL1 Coupe 1AL37
			1LS	1LT	2LT	3LT	1LZ	1SS	2SS	1SE
	RSK	<b>Wheels</b> , 20" x 10" (50.8 cm x 25.4 cm) front and 20" x 11" (50.8 cm x 27.9 cm) rear Satin Graphite forged aluminum 1 - Included and only available with (A1Y) SS 1LE Track Performance Package.	--	--	--	--	--	A <sup>1</sup>	A <sup>1</sup>	--
	PKJ	<b>Wheels</b> , 19" x 11" (48.3 cm x 27.9 cm) front and 19" x 12" (48.3 cm x 30.48 cm) rear low gloss Black-painted forged aluminum 1 - Included and only available with (A1Z) ZL1 1LE Extreme Track Performance Package.	--	--	--	--	--	--	--	A <sup>1</sup>
		<b>Wipers</b> , front variable-speed, intermittent with washers	S	S	S	S	S	S	S	S

S = Standard Equipment A = Available --(dashes) = Not Available D = ADI Available

■ = Included in Equipment Group □ = Included in Equipment Group but upgradeable

Codes listed in the shaded column titled Ref. Only RPO Code are for internal use only and should not be ordered.

Free Flow RPO Code	Ref. Only RPO Code	Description	1LT	2LT	3LT	LT1	1SS	2SS	ZL1
			Convertible	Convertible	Convertible	Convertible	Convertible	Convertible	Convertible
			1AG67	1AH67	1AH67	1AJ67	1AJ67	1AK67	1AL67
			1LT	2LT	3LT	1LZ	1SS	2SS	1SE
WBL		<b>Redline Edition</b> , includes (SRI/58E) 20" Black-painted aluminum wheels with Red accents, (CG6) Black Camaro fender badge with Red outline, (VUP) Redline Edition graphics, LPO, (3F9) Red seat belt color, (2F5) Red knee pads and (VYW) Premium carpeted floor mats, LPO 1 - Requires (WRS) RS Package, (19T) Black convertible top, (H1T/H0Y) Jet Black interior and exterior color (G9K) Satin Steel Metallic, (GAZ) Summit White or (GBA) Black. Not available with P3H, RO1, RO2, RZB. 2 - Requires (19T) Black convertible top, (H1T/H0Y) Jet Black interior and exterior color (G9K) Satin Steel Metallic, (GAZ) Summit White or (GBA) Black.	A <sup>1</sup>	A <sup>1</sup>	A <sup>1</sup>	A <sup>1</sup>	A <sup>2</sup>	A <sup>2</sup>	--
WRS		<b>RS Package</b> , includes dark tint LED tail lamps, RS-specific grilles, and Black front and rear bowties 1 - Also includes (RQ9) 20" 5-split spoke premium Gray-painted, machined-face aluminum wheels. Wheels are upgradeable to RTJ/RTH/WR1/5K9, or upgraded to package specific wheels.	A <sup>1</sup>	A <sup>1</sup>	A <sup>1</sup>	A	--	--	--
A9B		<b>Satin Black Appearance Package</b> , includes Satin Black outside mirrors and rear spoiler	A	A	A	A	A	A	--
PDL		<b>NEW! Wild Cherry Design Package 1</b> , includes (RY2) Black Metallic Hash Mark Stripes, LPO (5ZB) Camaro logo wheel center caps, LPO, (WR1/57W) 20" 5-split spoke polished forged wheels and (VYW) premium carpeted floor mats with Camaro logo, LPO 1 - Also includes (CG3) Camaro fender badge emblem. Requires exterior color (GSK) Wild Cherry Tintcoat and (WRS) RS Package. Wheel RPO is WR1. 2 - Requires exterior color (GSK) Wild Cherry Tintcoat and (WRS) RS Package. Wheel RPO is WR1. 3 - Also includes (CG3) Camaro fender badge emblem. Requires exterior color (GSK) Wild Cherry Tintcoat. Wheel RPO is 57W.	A <sup>1</sup>	A <sup>1</sup>	A <sup>1</sup>	A <sup>2</sup>	A <sup>3</sup>	A <sup>3</sup>	--

Free Flow RPO Code	Ref. Only RPO Code	Description	1LT	2LT	3LT	LT1	1SS	2SS	ZL1
			Convertible	Convertible	Convertible	Convertible	Convertible	Convertible	Convertible
			1AG67	1AH67	1AH67	1AJ67	1AJ67	1AK67	1AL67
			1LT	2LT	3LT	1LZ	1SS	2SS	1SE
PDN		<b>NEW! Wild Cherry Design Package 2</b> , includes (PDL) Wild Cherry Design Package 1, (SOU) Black sueded knee pads, LPO, (VQL) Fuel filler door in Black with visible carbon fiber insert, LPO, (VTD) Carbon Flash Metallic, second generation Ground Effects, LPO and (DUU/DUV/DW8) Center Stripe <b>1 - Requires exterior color (GSK) Wild Cherry Tintcoat and the selection of either (DUU) Black Center Stripe or (DUV) Silver Center Stripe.</b> <b>2 - Requires exterior color (GSK) Wild Cherry Tintcoat and the selection of either (DW8) Black Metallic Center Stripe or (DUV) Silver Center Stripe.</b>	--	A <sup>1</sup>	A <sup>1</sup>	--	--	A <sup>2</sup>	--
	UB3	<b>Antenna</b> , AM/FM, located in rear spoiler	S	S	S	S	S	S	S
		<b>Antenna</b> , OnStar and SiriusXM Radio, fin-type <b>1 - Body-color.</b>	S <sup>1</sup>	S <sup>1</sup>	S <sup>1</sup>	S <sup>1</sup>	S <sup>1</sup>	S <sup>1</sup>	S <sup>1</sup>
		<b>Bowties</b> , Black, front and rear <b>1 - Included and only available with (WRS) RS Package.</b>	A <sup>1</sup>	A <sup>1</sup>	A <sup>1</sup>	S	S	S	S
P3H		<b>Bowties</b> , Black, front and rear <b>1 - Not available with (WRS) RS Package.</b>	A <sup>1</sup>	A <sup>1</sup>	A <sup>1</sup>	--	--	--	--
	CM8	<b>Convertible top</b> , power-folding, remote control (down only), includes glass rear window with integral defogger	S	S	S	S	S	S	S
		<b>Daytime Running Lamps</b> , LED	S	S	S	S	S	S	S
CG3		<b>Emblem</b> , Camaro fender badge <b>1 - Not available with (WBL) Redline Edition.</b>	A <sup>1</sup>	A <sup>1</sup>	A <sup>1</sup>	--	A <sup>1</sup>	A <sup>1</sup>	--
	CG6	<b>Emblem</b> , Black Camaro fender badge with Red outline <b>1 - Included and only available with (WBL) Redline Edition.</b>	A <sup>1</sup>	A <sup>1</sup>	A <sup>1</sup>	A <sup>1</sup>	A <sup>1</sup>	A <sup>1</sup>	--
		<b>Fueling system</b> , capless	S	S	S	S	S	S	S
CFW		<b>Hood insert</b> , visible Carbon Fiber weave	--	--	--	--	--	--	A
	UKC	<b>Lane Change Alert</b> with Side Blind Zone Alert	--	--	S	--	--	S	S
VK3		<b>License plate bracket</b> , front <b>1 - Will be forced on orders with ship-to states that require a front license plate.</b>	A <sup>1</sup>	A <sup>1</sup>	A <sup>1</sup>	A <sup>1</sup>	A <sup>1</sup>	A <sup>1</sup>	A <sup>1</sup>
PCR		<b>NEW! LPO, Satin Black Front Splitter/Side Rockers Package</b> , includes (STI) Satin Black rocker moldings, LPO and (SL2) Satin Black, second generation front fascia extension, LPO <b>1 - Not available with 5VM, RMH, RZ3 or VTD.</b>	A/D <sup>1</sup>	A/D <sup>1</sup>	A/D <sup>1</sup>	A/D <sup>1</sup>	A/D <sup>1</sup>	A/D <sup>1</sup>	--

Free Flow RPO Code	Ref. Only RPO Code	Description	1LT	2LT	3LT	LT1	1SS	2SS	ZL1
			Convertible	Convertible	Convertible	Convertible	Convertible	Convertible	Convertible
			1AG67	1AH67	1AH67	1AJ67	1AJ67	1AK67	1AL67
			1LT	2LT	3LT	1LZ	1SS	2SS	1SE
PCK		<b>NEW!</b> LPO, Black Accent Exterior Package, includes (PCR) Satin Black Front Splitter/Side Rockers Package, LPO and (5JX/57S) 20" 5-split spoke Satin Black wheels, LPO 1 - Requires (WRS) RS Package. Not available with SFE, 5VM, RMH, RZ3 or VTD. 2 - Not available with SFE, 5VM, RMH, RZ3 or VTD.	A/D <sup>1</sup>	A/D <sup>1</sup>	A/D <sup>1</sup>	A/D <sup>1</sup>	A/D <sup>2</sup>	A/D <sup>2</sup>	--
PCY		<b>NEW!</b> LPO, Red Accent Exterior Package, includes (SHU) Satin Black Hood Stripe with Red Hot Hash Mark, LPO and (RZB) Black lower grille with Red Hot inserts 1 - Not available with WBL, RO1, RO2 or exterior colors (G16) Crush, (GKK) Riverside Blue Metallic, (GKO) Shock or (GSK) Wild Cherry Tintcoat.	A/D <sup>1</sup>	A/D <sup>1</sup>	A/D <sup>1</sup>	--	--	--	--
PCJ		LPO, Dark Tint Rear Lighting Package, includes (62O) Clear CHMSL, LPO and (SCY) Dark finish tail lamps, LPO 1 - Not available with (WRS) RS Package or (B9M) Dark tint tail lamps.	A/D <sup>1</sup>	A/D <sup>1</sup>	A/D <sup>1</sup>	--	--	--	--
PCL		LPO, Black Wheel Lug Nuts and Locks Package, includes (SPZ) Black wheel locks, LPO and (SPY) Black lug nuts, LPO 1 - Not available with (SFE) wheel locks, LPO.	A/D <sup>1</sup>	A/D <sup>1</sup>	A/D <sup>1</sup>	A/D <sup>1</sup>	A/D <sup>1</sup>	A/D <sup>1</sup>	A/D <sup>1</sup>
5VM		LPO, Ground Effects Package 1 - Requires (WRS) RS Package and exterior color (G9K) Satin Steel Metallic, (GAZ) Summit White or (GBA) Black. Not available with RMH, RZ3, VRV, VTD. 2 - Requires exterior color (G9K) Satin Steel Metallic, (GAZ) Summit White or (GBA) Black. Not available with RMH, RZ3, VRV, VTD.	A/D <sup>1</sup>	A/D <sup>1</sup>	A/D <sup>1</sup>	A/D <sup>2</sup>	A/D <sup>2</sup>	A/D <sup>2</sup>	--
VTD		LPO, Ground effects, Carbon Flash Metallic, second generation 1 - Not available with 5VM, RMH, RZ3 or VRV.	A/D <sup>1</sup>	A/D <sup>1</sup>	A/D <sup>1</sup>	A/D <sup>1</sup>	A/D <sup>1</sup>	A/D <sup>1</sup>	--
RIK		LPO, Black front and rear bowtie emblems 1 - Not available with (WRS) RS Package, (R88) Front illuminated and rear non-illuminated bowtie emblems in Black, LPO or (P3H) Black front and rear bowties.	A/D <sup>1</sup>	A/D <sup>1</sup>	A/D <sup>1</sup>	--	--	--	--
R88		LPO, Front illuminated and rear non-illuminated bowtie emblems in Black 1 - Not available with (RIK) Black front and rear bowtie emblems, LPO or (P3H) Black front and rear bowties.	A/D <sup>1</sup>	A/D <sup>1</sup>	A/D <sup>1</sup>	A/D	--	--	--
	62O	LPO, Clear CHMSL (Center High Mount Stop Lamp) 1 - Included and only available with (PCJ) Dark Tint Rear Lighting Package, LPO.	A/D <sup>1</sup>	A/D <sup>1</sup>	A/D <sup>1</sup>	--	--	--	--
VTA		<b>NEW!</b> LPO, Black exhaust tip 1 - Not available with 5VM, VTD, NPP.	A/D <sup>1</sup>	A/D <sup>1</sup>	A/D <sup>1</sup>	--	A/D <sup>1</sup>	A/D <sup>1</sup>	--
5VF		<b>NEW!</b> LPO, Carbon fiber exhaust tip 1 - Not available with 5VM, VTD, NPP.	A/D <sup>1</sup>	A/D <sup>1</sup>	A/D <sup>1</sup>	--	A/D <sup>1</sup>	A/D <sup>1</sup>	--

Free Flow RPO Code	Ref. Only RPO Code	Description	1LT	2LT	3LT	LT1	1SS	2SS	ZL1
			Convertible	Convertible	Convertible	Convertible	Convertible	Convertible	Convertible
			1AG67	1AH67	1AH67	1AJ67	1AJ67	1AK67	1AL67
			1LT	2LT	3LT	1LZ	1SS	2SS	1SE
RZ3		<b>LPO, Front splitter</b> 1 - Requires (WRS) RS Package and exterior color (G9K) Satin Steel Metallic, (GAZ) Summit White or (GBA) Black. Not available with 5VM, RMH or VTD. 2 - Requires exterior color (G9K) Satin Steel Metallic, (GAZ) Summit White or (GBA) Black. Not available with 5VM, RMH or VTD.	A/D <sup>1</sup>	A/D <sup>1</sup>	A/D <sup>1</sup>	A/D <sup>2</sup>	A/D <sup>2</sup>	A/D <sup>2</sup>	--
SL2		<b>LPO, Front fascia extension, Satin Black, second generation</b> 1 - Not available with 5VM, RMH, RZ3 or VTD.	A/D <sup>1</sup>	A/D <sup>1</sup>	A/D <sup>1</sup>	A/D <sup>1</sup>	A/D <sup>1</sup>	A/D <sup>1</sup>	--
RIN		<b>LPO, Camaro logo fender badge</b> 1 - Not available with CG3, SFZ, WBL.	A/D <sup>1</sup>	A/D <sup>1</sup>	A/D <sup>1</sup>	--	A/D <sup>1</sup>	A/D <sup>1</sup>	--
SFZ		<b>LPO, Camaro fender badge, Black</b> 1 - Not available with CG3, RIN, WBL.	A/D <sup>1</sup>	A/D <sup>1</sup>	A/D <sup>1</sup>	--	A/D <sup>1</sup>	A/D <sup>1</sup>	--
VQL		<b>LPO, Fuel filler door in Black with visible carbon fiber insert</b>	A/D	A/D	A/D	A/D	A/D	A/D	A/D
VTU		<b>LPO, Fuel filler door in Black with Gloss Black insert</b>	A/D	A/D	A/D	A/D	A/D	A/D	A/D
W0D		<b>LPO, Fuel filler door in Black with Red Hot insert</b> 1 - Not available with exterior color (G16) Crush, (GKK) Riverside Blue Metallic, (GKO) Shock or (GSK) Wild Cherry Tintcoat.	A/D <sup>1</sup>	A/D <sup>1</sup>	A/D <sup>1</sup>	A/D <sup>1</sup>	A/D <sup>1</sup>	A/D <sup>1</sup>	A/D <sup>1</sup>
W0E		<b>LPO, Fuel filler door in Black with Silver Ice Metallic insert</b>	A/D	A/D	A/D	A/D	A/D	A/D	A/D
RZB		<b>LPO, Black lower grille with Red Hot inserts</b> 1 - Not available with RO1, RO2 or exterior colors (G16) Crush, (GKK) Riverside Blue Metallic, (GKO) Shock or (GSK) Wild Cherry Tintcoat.	A/D <sup>1</sup>	A/D <sup>1</sup>	A/D <sup>1</sup>	--	--	--	--
RO1		<b>LPO, Black lower grille with Silver-painted inserts</b> 1 - Not available with (RO2) Black lower grille with Gloss Black inserts, LPO.	A/D <sup>1</sup>	A/D <sup>1</sup>	A/D <sup>1</sup>	--	--	--	--
RO2		<b>LPO, Black lower grille with Gloss Black inserts</b> 1 - Not available with (RO1) Black lower grille with Silver-painted inserts, LPO.	A/D <sup>1</sup>	A/D <sup>1</sup>	A/D <sup>1</sup>	--	--	--	--
STI		<b>LPO, Satin Black rocker moldings</b> 1 - Not available with 5VM, RMH, RZ3, VRV, VTD.	A/D <sup>1</sup>	A/D <sup>1</sup>	A/D <sup>1</sup>	A/D <sup>1</sup>	A/D <sup>1</sup>	A/D <sup>1</sup>	--
RMH		<b>LPO, Front splitter, Carbon Flash Metallic</b> 1 - Not available with 5VM, RZ3, VTD.	A/D <sup>1</sup>	A/D <sup>1</sup>	A/D <sup>1</sup>	A/D <sup>1</sup>	A/D <sup>1</sup>	A/D <sup>1</sup>	--
VRV		<b>LPO, Body-color painted splash guards</b> 1 - Not available with 5VM, RMH, RZ3, STI, VTD or exterior colors (G16) Crush and (GKO) Shock.	A/D <sup>1</sup>	A/D <sup>1</sup>	A/D <sup>1</sup>	A/D <sup>1</sup>	A/D <sup>1</sup>	A/D <sup>1</sup>	--
RY2		<b>LPO, Black Metallic Hash Mark Stripes</b>	A/D	A/D	A/D	A/D	A/D	A/D	--
VPO		<b>LPO, Gray Hash Mark Stripes</b>	A/D	A/D	A/D	A/D	A/D	A/D	--

Free Flow RPO Code	Ref. Only RPO Code	Description	1LT	2LT	3LT	LT1	1SS	2SS	ZL1
			Convertible	Convertible	Convertible	Convertible	Convertible	Convertible	Convertible
			1AG67	1AH67	1AH67	1AJ67	1AJ67	1AK67	1AL67
			1LT	2LT	3LT	1LZ	1SS	2SS	1SE
SNG		<b>LPO, Red Hash Mark Stripes</b> 1 - Not available with exterior color (GSK) Wild Cherry Tintcoat.	A/D <sup>1</sup>	A/D <sup>1</sup>	A/D <sup>1</sup>	A/D <sup>1</sup>	A/D <sup>1</sup>	A/D <sup>1</sup>	--
SF9		<b>LPO, Blue Hash Mark Stripes</b> 1 - Not available with exterior colors (G7C) Red Hot, (GKK) Riverside Blue Metallic or (GSK) Wild Cherry Tintcoat.	A/D <sup>1</sup>	A/D <sup>1</sup>	A/D <sup>1</sup>	A/D <sup>1</sup>	A/D <sup>1</sup>	A/D <sup>1</sup>	--
SHQ		<b>LPO, Silver Hash Mark Stripes</b>	A/D	A/D	A/D	A/D	A/D	A/D	--
SFC		<b>LPO, White Pearl Hash Mark Stripes</b>	A/D	A/D	A/D	A/D	A/D	A/D	--
SHU		<b>LPO, Satin Black Hood Stripe with Red Hot Hash Mark</b>	A/D	A/D	A/D	A/D	A/D	A/D	--
SHS		<b>LPO, Satin Black Hood Stripe with Silver Ice Metallic Hash Mark</b>	A/D	A/D	A/D	A/D	A/D	A/D	--
SB7		<b>LPO, Red Spider Stripes</b> 1 - Requires (19T) Black convertible top. Not available with exterior colors (G7C) Red Hot or (GSK) Wild Cherry Tintcoat or with (C3O/BO3/BO4/C2U) Rally Stripes.	A/D <sup>1</sup>	A/D <sup>1</sup>	A/D <sup>1</sup>	A/D <sup>1</sup>	A/D <sup>1</sup>	A/D <sup>1</sup>	--
SB9		<b>LPO, Black Spider Stripes</b> 1 - Not available with (C3O/BO3/BO4/C2U) Rally Stripes.	A/D <sup>1</sup>	A/D <sup>1</sup>	A/D <sup>1</sup>	A/D <sup>1</sup>	A/D <sup>1</sup>	A/D <sup>1</sup>	--
SNB		<b>LPO, Silver Spider Stripes</b> 1 - Not available with (C3O/BO3/BO4/C2U) Rally Stripes.	A/D <sup>1</sup>	A/D <sup>1</sup>	A/D <sup>1</sup>	A/D <sup>1</sup>	A/D <sup>1</sup>	A/D <sup>1</sup>	--
SNC		<b>LPO, White Pearl Spider Stripes</b> 1 - Not available with exterior color (GAZ) Summit White or with (C3O/BO3/BO4/C2U) Rally Stripes.	A/D <sup>1</sup>	A/D <sup>1</sup>	A/D <sup>1</sup>	A/D <sup>1</sup>	A/D <sup>1</sup>	A/D <sup>1</sup>	--
SNJ		<b>LPO, Black Metallic Stinger Stripe</b> 1 - Not available with (DUU/DUV/DW7/DW8) Center Stripe or (C3O/BO3/BO4/C2U) Rally Stripes.	A/D <sup>1</sup>	A/D <sup>1</sup>	A/D <sup>1</sup>	A/D <sup>1</sup>	A/D <sup>1</sup>	A/D <sup>1</sup>	--
SFA		<b>LPO, Red Stinger Stripe</b> 1 - Not available with exterior color (G16) Crush, (G7C) Red Hot, (GKO) Shock or (GSK) Wild Cherry Tintcoat or with (DUU/DUV/DW7/DW8) Center Stripe or (C3O/BO3/BO4/C2U) Rally Stripes.	A/D <sup>1</sup>	A/D <sup>1</sup>	A/D <sup>1</sup>	A/D <sup>1</sup>	A/D <sup>1</sup>	A/D <sup>1</sup>	--
SNE		<b>LPO, Silver Stinger Stripe</b> 1 - Not available with (DUU/DUV/DW7/DW8) Center Stripe or (C3O/BO3/BO4/C2U) Rally Stripes.	A/D <sup>1</sup>	A/D <sup>1</sup>	A/D <sup>1</sup>	A/D <sup>1</sup>	A/D <sup>1</sup>	A/D <sup>1</sup>	--
SNM		<b>LPO, White Pearl Stinger Stripe</b> 1 - Not available with exterior color (GAZ) Summit White or with (DUU/DUV/DW7/DW8) Center Stripe or (C3O/BO3/BO4/C2U) Rally Stripes.	A/D <sup>1</sup>	A/D <sup>1</sup>	A/D <sup>1</sup>	A/D <sup>1</sup>	A/D <sup>1</sup>	A/D <sup>1</sup>	--
	VUP	<b>LPO, Redline Edition graphics</b> 1 - Included and only available with (WBL) Redline Edition.	A/D <sup>1</sup>	A/D <sup>1</sup>	A/D <sup>1</sup>	A/D <sup>1</sup>	A/D <sup>1</sup>	A/D <sup>1</sup>	--

Free Flow RPO Code	Ref. Only RPO Code	Description	1LT	2LT	3LT	LT1	1SS	2SS	ZL1
			Convertible 1AG67	Convertible 1AH67	Convertible 1AH67	Convertible 1AJ67	Convertible 1AJ67	Convertible 1AK67	Convertible 1AL67
			1LT	2LT	3LT	1LZ	1SS	2SS	1SE
SCY		<b>LPO, Dark finish tail lamps</b> 1 - Not available with (B9M) dark tint tail lamps or (WRS) RS Package.	A/D <sup>1</sup>	A/D <sup>1</sup>	A/D <sup>1</sup>	--	--	--	--
RWH		<b>LPO, Indoor vehicle cover</b> , Black with Camaro logo	A/D	A/D	A/D	A/D	A/D	A/D	--
RWH		<b>LPO, Indoor vehicle cover</b> , Black with ZL1 logo	--	--	--	--	--	--	A/D
VDN		<b>LPO, Indoor vehicle cover</b> , Gray	A/D	A/D	A/D	A/D	A/D	A/D	A/D
SL1		<b>LPO, Indoor vehicle cover</b> , Red	A/D	A/D	A/D	A/D	A/D	A/D	A/D
RWJ		<b>LPO, Outdoor vehicle cover</b> , Black	A/D	A/D	A/D	A/D	A/D	A/D	A/D
VRU		<b>LPO, Outdoor vehicle cover</b> , Gray	A/D	A/D	A/D	A/D	A/D	A/D	A/D
RNX		<b>LPO, Outdoor vehicle cover</b> , Red	A/D	A/D	A/D	A/D	A/D	A/D	A/D
VGS		<b>LPO, Outdoor vehicle cover</b> , Gray, ZL1 logo	--	--	--	--	--	--	A/D
RXH		<b>LPO, Silver RS wheel center caps</b> 1 - Requires (WRS) RS Package. Not available with RTH, SHL.	A/D <sup>1</sup>	A/D <sup>1</sup>	A/D <sup>1</sup>	--	--	--	--
VW9		<b>LPO, Black SS wheel center caps</b>	--	--	--	--	A/D	A/D	--
RXJ		<b>LPO, Silver SS wheel center caps</b> 1 - Not available with 56H, 56V.	--	--	--	--	A/D <sup>1</sup>	A/D <sup>1</sup>	--
5ZB		<b>LPO, Camaro logo wheel center caps</b> 1 - Not available with RTH, SHL. 2 - Not available with (RTH) 20" 5-spoke Carbon Flash painted aluminum wheels. 3 - Not available with (56H) SS 20" (50.8 cm) 5-spoke gloss Black wheels with Red stripe, LPO. 4 - Not available with 56H, 56V.	A/D <sup>1</sup>	A/D <sup>1</sup>	A/D <sup>1</sup>	A/D <sup>2</sup>	A/D <sup>3</sup>	A/D <sup>4</sup>	--
	VWD	<b>LPO, Gloss Black wheel center caps with Silver bowtie</b> 1 - Included and only available with (SHL) 20" 5-spoke gloss Black wheels with Red outline stripe, LPO. 2 - Included and only available with (56H) SS 20" 5-spoke gloss Black wheels with Red stripe, LPO.	A/D <sup>1</sup>	A/D <sup>1</sup>	A/D <sup>1</sup>	--	A/D <sup>2</sup>	A/D <sup>2</sup>	--
5ZD		<b>LPO, Wheel center caps</b> , Performance 1 - Not available with SHL, SKW. 2 - Not available with 56H, 56M.	A/D <sup>1</sup>	A/D <sup>1</sup>	A/D <sup>1</sup>	A/D	A/D <sup>2</sup>	A/D <sup>2</sup>	--
SFE		<b>LPO, Wheel locks</b> 1 - (SFE) Wheel locks is included with all LPO wheels.	A/D <sup>1</sup>	A/D <sup>1</sup>	A/D <sup>1</sup>	A/D <sup>1</sup>	A/D <sup>1</sup>	A/D <sup>1</sup>	A/D
SPZ		<b>LPO, Black wheel locks</b> 1 - Not available with (SFE) wheel locks, LPO.	A/D <sup>1</sup>	A/D <sup>1</sup>	A/D <sup>1</sup>	A/D <sup>1</sup>	A/D <sup>1</sup>	A/D <sup>1</sup>	A/D <sup>1</sup>
SPY		<b>LPO, Black lug nuts</b> 1 - Not available with (SFE) wheel locks, LPO.	A/D <sup>1</sup>	A/D <sup>1</sup>	A/D <sup>1</sup>	A/D <sup>1</sup>	A/D <sup>1</sup>	A/D <sup>1</sup>	A/D <sup>1</sup>

Free Flow RPO Code	Ref. Only RPO Code	Description	1LT	2LT	3LT	LT1	1SS	2SS	ZL1
			Convertible	Convertible	Convertible	Convertible	Convertible	Convertible	Convertible
			1AG67	1AH67	1AH67	1AJ67	1AJ67	1AK67	1AL67
			1LT	2LT	3LT	1LZ	1SS	2SS	1SE
SHL		<b>LPO, 20" (50.8 cm) 5-spoke gloss Black wheels with Red outline stripe.</b> When ordering SHL with other optional wheels, 2 complete sets of wheels are being ordered. Please ensure customer desires both sets of wheels before proceeding to place order with LPO wheels SHL. <b>1 - Includes (VWD) Gloss Black wheel center caps with Silver bowtie, LPO. Not available with (SFE) wheel locks, LPO or (REG) 18" Silver-painted aluminum wheels.</b> <b>2 - Not available with (SFE) wheel locks, LPO.</b>	A/D <sup>1</sup>	A/D <sup>1</sup>	A/D <sup>1</sup>	A/D <sup>2</sup>	--	--	--
56H		<b>LPO, SS 20" (50.8 cm) 5-spoke gloss Black wheels with Red stripe.</b> When ordering 56H with other optional wheels, 2 complete sets of wheels are being ordered. Please ensure customer desires both sets of wheels before proceeding to place order with LPO wheels 56H. Includes (VWD) Gloss Black wheel center caps with Silver bowtie, LPO. <b>1 - Not available with (SFE) wheel locks, LPO.</b>	--	--	--	--	A/D <sup>1</sup>	A/D <sup>1</sup>	--
SKW		<b>LPO, 20" (50.8 cm) 5-split spoke machined-face wheels.</b> When ordering SKW with other optional wheels, 2 complete sets of wheels are being ordered. Please ensure customer desires both sets of wheels before proceeding to place order with LPO wheels SKW. <b>1 - Not available with (SFE) wheel locks, LPO or (REG) 18" Silver-painted aluminum wheels.</b> <b>2 - Not available with (SFE) wheel locks, LPO.</b>	A/D <sup>1</sup>	A/D <sup>1</sup>	A/D <sup>1</sup>	A/D <sup>2</sup>	--	--	--
56M		<b>LPO, SS 20" (50.8 cm) 5-split spoke machined-face wheels.</b> When ordering 56M with other optional wheels, 2 complete sets of wheels are being ordered. Please ensure customer desires both sets of wheels before proceeding to place order with LPO wheels 56M. <b>1 - Not available with (SFE) wheel locks, LPO.</b>	--	--	--	--	A/D <sup>1</sup>	A/D <sup>1</sup>	--
5JX		<b>LPO, LT 20" (50.8 cm) 5-split spoke Satin Black wheels.</b> When ordering 5JX with other optional wheels, 2 complete sets of wheels are being ordered. Please ensure customer desires both sets of wheels before proceeding to place order with LPO wheels 5JX. <b>1 - Not available with (SFE) wheel locks, LPO or (REG) 18" Silver-painted aluminum wheels.</b> <b>2 - Not available with (SFE) wheel locks, LPO.</b>	A/D <sup>1</sup>	A/D <sup>1</sup>	A/D <sup>1</sup>	A/D <sup>2</sup>	--	--	--
57S		<b>LPO, SS 20" (50.8 cm) 5-split spoke Satin Black wheels.</b> When ordering 57S with other optional wheels, 2 complete sets of wheels are being ordered. Please ensure customer desires both sets of wheels before proceeding to place order with LPO wheels 57S. <b>1 - Not available with (SFE) wheel locks, LPO.</b>	--	--	--	--	A/D <sup>1</sup>	A/D <sup>1</sup>	--
VLN		<b>LPO, Windscreen</b>	A/D	A/D	A/D	A/D	A/D	A/D	A/D



Free Flow RPO Code	Ref. Only RPO Code	Description	1LT	2LT	3LT	LT1	1SS	2SS	ZL1
			Convertible	Convertible	Convertible	Convertible	Convertible	Convertible	Convertible
			1AG67	1AH67	1AH67	1AJ67	1AJ67	1AK67	1AL67
			1LT	2LT	3LT	1LZ	1SS	2SS	1SE
	DG7	<b>Mirrors</b> , outside power-adjustable, body-color	S	S	--	S	S	--	--
	DD1	<b>Mirrors</b> , outside heated power-adjustable and driver-side auto-dimming, body-color	--	--	S	--	--	S	S
	UFG	<b>Rear Cross Traffic Alert</b>	--	--	S	--	--	S	S
	UD7	<b>Rear Park Assist</b>	--	--	S	--	--	S	S
	D5Z	<b>Spoiler</b> , rear, stanchion	S	S	S	S	S	S	S
DUU		<b>Black Center Stripe</b> 1 - Not available with exterior color (GBA) Black.	A <sup>1</sup>	A <sup>1</sup>	A <sup>1</sup>	--	--	--	--
DW8		<b>Black Metallic Center Stripe</b>	--	--	--	A	A	A	--
DVV		<b>Black Metallic Center Stripe</b> 1 - Decklid and spoiler only, Not available with (CFW) Carbon Fiber weave hood insert.	--	--	--	--	--	--	A <sup>1</sup>
DUV		<b>Silver Center Stripe</b>	A	A	A	A	A	A	--
DW7		<b>White Pearl Center Stripe</b> 1 - Not available with exterior color (GAZ) Summit White.	A <sup>1</sup>	A <sup>1</sup>	A <sup>1</sup>	A <sup>1</sup>	A <sup>1</sup>	A <sup>1</sup>	--
C3O		<b>Black Rally Stripes</b> 1 - Not available with exterior color (GBA) Black.	A <sup>1</sup>	A <sup>1</sup>	A <sup>1</sup>	--	--	--	--
BO4		<b>Black Metallic Rally Stripes</b>	--	--	--	A	A	A	--
C2U		<b>Silver Rally Stripes</b>	A	A	A	A	A	A	--
BO3		<b>White Pearl Rally Stripes</b> 1 - Not available with exterior color (GAZ) Summit White.	A <sup>1</sup>	A <sup>1</sup>	A <sup>1</sup>	A <sup>1</sup>	A <sup>1</sup>	A <sup>1</sup>	--
		<b>Tail lamps</b> , dark tint 1 - Included and only available with (WRS) RS Package.	A <sup>1</sup>	A <sup>1</sup>	A <sup>1</sup>	A <sup>1</sup>	S	S	S
B9M		<b>Tail lamps</b> , dark tint 1 - Not available with (WRS) RS Package since it already includes dark tint tail lamps.	A <sup>1</sup>	A <sup>1</sup>	A <sup>1</sup>	--	--	--	--
	KTI	<b>Tire inflation kit</b> 1 - Included and only available with (R0H) 245/50R18, blackwall, all-season tires.	A <sup>1</sup>	A <sup>1</sup>	A <sup>1</sup>	--	--	--	S
	R0H	<b>Tires</b> , 245/50R18, blackwall, all-season, includes (KTI) tire inflator kit	S	S	S	--	--	--	--
	R0F	<b>Tires</b> , 245/40ZR20 front and 275/35ZR20 rear, blackwall, summer-only, run-flat 1 - Do not use summer only tires in winter conditions, as it would adversely affect vehicle safety, performance and durability. Use only GM-approved tire and wheel combinations. Unapproved combinations may change the vehicle's performance characteristics. For important tire and wheel information, go to <a href="https://my.chevrolet.com/learnAbout/chevrolettires">https://my.chevrolet.com/learnAbout/chevrolettires</a> or see your dealer.	--	--	--	--	S <sup>1</sup>	S <sup>1</sup>	--

Free Flow RPO Code	Ref. Only RPO Code	Description	1LT	2LT	3LT	LT1	1SS	2SS	ZL1
			Convertible	Convertible	Convertible	Convertible	Convertible	Convertible	Convertible
			1AG67	1AH67	1AH67	1AJ67	1AJ67	1AK67	1AL67
			1LT	2LT	3LT	1LZ	1SS	2SS	1SE
	R0G	<b>Tires</b> , 285/30R20 front and 305/30R20 rear, blackwall, summer-only 1 - Do not use summer only tires in winter conditions, as it would adversely affect vehicle safety, performance and durability. Use only GM-approved tire and wheel combinations. Unapproved combinations may change the vehicle's performance characteristics. For important tire and wheel information, go to <a href="https://my.chevrolet.com/learnAbout/chevrolettires">https://my.chevrolet.com/learnAbout/chevrolettires</a> or see your dealer.	--	--	--	--	--	--	S <sup>1</sup>
	R29	<b>Tires</b> , 245/40R20, blackwall, all-season, run-flat 1 - Included and only available with (RTJ/RTH/RQ9/WR1/SRI/5K9) 20" wheels.	A <sup>1</sup>	A <sup>1</sup>	A <sup>1</sup>	S	--	--	--
	REG	<b>Wheels</b> , 18" (45.7 cm) Silver-painted aluminum	S	S	S	--	--	--	--
	RQA	<b>Wheels</b> , 20" (50.8 cm) Silver-painted aluminum	--	--	--	S	--	--	--
	56S	<b>Wheels</b> , 20" x 8.5" (50.8 cm x 21.6 cm) front and 20" x 9.5" (50.8 cm x 24.1 cm) rear bright 5-spoke Silver-painted aluminum	--	--	--	--	S	S	--
	RTQ	<b>Wheels</b> , 20" x 10" (50.8 cm x 25.4 cm) front and 20" x 11" (50.8 cm x 27.9 cm) rear Dark Graphite premium paint, forged aluminum	--	--	--	--	--	--	S
	RTJ	<b>Wheels</b> , 20" (50.8 cm) 5-spilt spoke bright Silver-painted aluminum 1 - Requires (WRS) RS Package.	A <sup>1</sup>	A <sup>1</sup>	A <sup>1</sup>	A	--	--	--
	RTH	<b>Wheels</b> , 20" (50.8 cm) 5-spoke Carbon Flash painted aluminum	A	A	A	A	--	--	--
	RQ9	<b>Wheels</b> , 20" (50.8 cm) 5-split spoke premium Gray-painted, machined-face aluminum 1 - Included and only available with (WRS) RS Package.	A <sup>1</sup>	A <sup>1</sup>	A <sup>1</sup>	A	--	--	--
	WR1	<b>Wheels</b> , 20" (50.8 cm) 5-split spoke polished forged with Black star center cap 1 - Requires (WRS) RS Package.	A <sup>1</sup>	A <sup>1</sup>	A <sup>1</sup>	A	--	--	--
	5K9	<b>Wheels</b> , 20" (50.8 cm) Caliente 1 - Requires (WRS) RS Package.	A <sup>1</sup>	A <sup>1</sup>	A <sup>1</sup>	A	--	--	--
	SRI	<b>Wheels</b> , 20" (50.8 cm) Black-painted aluminum with Red accents 1 - Included and only available with (WBL) Redline Edition.	A <sup>1</sup>	A <sup>1</sup>	A <sup>1</sup>	A <sup>1</sup>	--	--	--
	56R	<b>Wheels</b> , 20" x 8.5" (50.8 cm x 21.6 cm) front and 20" x 9.5" (50.8 cm x 24.1 cm) rear 5-split spoke premium Gray-painted machined-face aluminum	--	--	--	--	A	A	--
	56W	<b>Wheels</b> , 20" x 8.5" (50.8 cm x 21.6 cm) front and 20" x 9.5" (50.8 cm x 24.1 cm) rear 5-split spoke bright Silver-painted aluminum	--	--	--	--	A	A	--

Free Flow RPO Code	Ref. Only RPO Code	Description	1LT	2LT	3LT	LT1	1SS	2SS	ZL1
			Convertible	Convertible	Convertible	Convertible	Convertible	Convertible	Convertible
			1AG67	1AH67	1AH67	1AJ67	1AJ67	1AK67	1AL67
			1LT	2LT	3LT	1LZ	1SS	2SS	1SE
56V		<b>Wheels</b> , 20" x 8.5" (50.8 cm x 21.6 cm) front and 20" x 9.5" (50.8 cm x 24.1 cm) rear 5-spoke Carbon Flash painted aluminum	--	--	--	--	A	A	--
57W		<b>Wheels</b> , 20" x 8.5" (50.8 cm x 21.6 cm) front and 20" x 9.5" (50.8 cm x 24.1 cm) rear 5-split spoke polished forged with Black star center cap	--	--	--	--	A	A	--
57V		<b>Wheels</b> , 20" x 8.5" (50.8 cm x 21.6 cm) front and 20" x 9.5" (50.8 cm x 24.1 cm) rear Caliente	--	--	--	--	A	A	--
	58E	<b>Wheels</b> , 20" x 8.5" (50.8 cm x 21.6 cm) front and 20" x 9.5" (50.8 cm x 24.1 cm) rear Black-painted aluminum with Red accents <b>1 - Included and only available with (WBL) Redline Edition.</b>	--	--	--	--	A <sup>1</sup>	A <sup>1</sup>	--
		<b>Wipers</b> , front variable-speed, intermittent with washers	S	S	S	S	S	S	S

S = Standard Equipment A = Available --(dashes) = Not Available D = ADI Available

■ = Included in Equipment Group □ = Included in Equipment Group but upgradeable

Codes listed in the shaded column titled Ref. Only RPO Code are for internal use only and should not be ordered.

Free Flow RPO Code	Ref. Only RPO Code	Description	1LS Coupe 1AG37	1LT Coupe 1AG37	2LT Coupe 1AH37	3LT Coupe 1AH37	LT1 Coupe 1AJ37	1SS Coupe 1AJ37	2SS Coupe 1AK37	ZL1 Coupe 1AL37
			1LS	1LT	2LT	3LT	1LZ	1SS	2SS	1SE
		<b>Battery rundown protection</b>	S	S	S	S	S	S	S	S
		<b>Brake</b> , parking, electric	S	S	S	S	S	S	S	S
	JL9	<b>Brakes</b> , 4-wheel antilock, 4-wheel disc	S	S	S	S	--	--	--	--
	J55	<b>Brakes</b> , Brembo 4-piston front, performance, 4-wheel antilock, 4-wheel disc 1 - Included and only available with (Y4Q) Heavy-Duty Cooling and Brake Package, (A1X) 1LE Track Performance Package, (J6F) Red-painted calipers or (J6L) Orange-painted calipers.	--	A <sup>1</sup>	A <sup>1</sup>	A <sup>1</sup>	S	--	--	--
	J6G	<b>Brakes</b> , Brembo 4-piston front and rear, performance, 4-wheel antilock, 4-wheel disc	--	--	--	--	--	S	S	--
	J6H	<b>Brakes</b> , Brembo 6-piston front and 4-piston rear, performance, 4-wheel antilock, 4-wheel disc	--	--	--	--	--	--	--	S
	J6M	<b>Brakes</b> , Brembo Red, 6-piston front monobloc calipers, 4-piston rear calipers, 2-piece rotors, performance, 4-wheel antilock, 4-wheel disc 1 - Included and only available with (A1Y) SS 1LE Track Performance Package.	--	--	--	--	--	A <sup>1</sup>	A <sup>1</sup>	--
	J6L	<b>Calipers</b> , Orange-painted 1 - Includes (J55) Brembo 4-piston front, performance brakes. Not available REG/5K9 wheels. 2 - Not available with (5K9) 20" Caliente wheels. 3 - Not available with (57V) 20" Caliente wheels.	--	A <sup>1</sup>	A <sup>1</sup>	A <sup>1</sup>	A <sup>2</sup>	A <sup>3</sup>	A <sup>3</sup>	--
	J6F	<b>Calipers</b> , Red-painted 1 - Includes (J55) Brembo 4-piston front, performance brakes. Not available REG/5K9 wheels. 2 - Not available with (5K9) 20" Caliente wheels. 3 - Not available with (57V) 20" Caliente wheels.	--	A <sup>1</sup>	A <sup>1</sup>	A <sup>1</sup>	A <sup>2</sup>	A <sup>3</sup>	A <sup>3</sup>	--
	KC4	<b>Cooling</b> , external engine oil cooler 1 - Included and only available with (Y4Q) Heavy-Duty Cooling and Brake Package or (A1X) 1LE Track Performance Package.	--	A <sup>1</sup>	A <sup>1</sup>	A <sup>1</sup>	S	S	S	S

Free Flow RPO Code	Ref. Only RPO Code	Description	1LS Coupe 1AG37	1LT Coupe 1AG37	2LT Coupe 1AH37	3LT Coupe 1AH37	LT1 Coupe 1AJ37	1SS Coupe 1AJ37	2SS Coupe 1AK37	ZL1 Coupe 1AL37
			1LS	1LT	2LT	3LT	1LZ	1SS	2SS	1SE
				V03	<b>Cooling system</b> , extra capacity 1 - Included and only available with (Y4Q) Heavy-Duty Cooling and Brake Package when (MX0) automatic transmission is ordered, or (A1X) 1LE Track Performance Package.	--	A <sup>1</sup>	A <sup>1</sup>	A <sup>1</sup>	--
	V18	<b>Cooler</b> , engine coolant, auxiliary 1 - Included and only available with (A1X) 1LE Track Performance Package when (LGX) 3.6L V6 engine is ordered.	--	A <sup>1</sup>	A <sup>1</sup>	A <sup>1</sup>	--	S	S	S
	KNR	<b>Cooler</b> , rear differential 1 - Included and only available with (A1X) 1LE Track Performance Package.	--	A <sup>1</sup>	A <sup>1</sup>	A <sup>1</sup>	--	S	S	S
	KD1	<b>Cooler</b> , transmission oil 1 - Included and only available with (A1X) 1LE Track Performance Package.	--	A <sup>1</sup>	A <sup>1</sup>	A <sup>1</sup>	--	S	S	S
	G80	<b>Differential</b> , limited slip 1 - Deleted when (MX0) automatic transmission is ordered.	S <sup>1</sup>	S <sup>1</sup>	S <sup>1</sup>	S <sup>1</sup>	S	S	S	--
	G96	<b>Differential</b> , electronic limited-slip (eLSD) 1 - Included and only available with (A1Y) SS 1LE Track Performance Package.	--	--	--	--	--	A <sup>1</sup>	A <sup>1</sup>	S
		<b>Driver Mode Selector</b> , up to 4 modes available for various driving conditions - Snow/Ice, Tour, Sport and Track (SS and ZL1 models only)	S	S	S	S	S	S	S	S
	FE9	<b>Emissions</b> , Federal requirements	A	A	A	A	A	A	A	A
	YF5	<b>Emissions</b> , California state requirements	A	A	A	A	A	A	A	A
	NE1	<b>Emissions</b> , Connecticut, Delaware, Maine, Maryland, Massachusetts, New Jersey, New York, Oregon, Pennsylvania, Rhode Island, Vermont and Washington state requirements	A	A	A	A	A	A	A	A
	NB8	<b>Emissions override</b> , California (allows a dealer in states that require California emissions - California, Connecticut, Delaware, Maryland, Massachusetts, New Jersey, New York, Oregon, Pennsylvania, Rhode Island or Washington - to order Federal emissions for a vehicle that will be registered in a state that has Federal emission requirements). Do not use for vehicles that will be registered in California, Connecticut, Delaware, Maryland, Massachusetts, New Jersey, New York, Oregon, Pennsylvania, Rhode Island or Washington. 1 - Requires (FE9) Federal emissions requirements. Not available in Maine or Vermont.	A <sup>1</sup>	A <sup>1</sup>	A <sup>1</sup>	A <sup>1</sup>	A <sup>1</sup>	A <sup>1</sup>	A <sup>1</sup>	A <sup>1</sup>

Free Flow RPO Code	Ref. Only RPO Code	Description	1LS Coupe 1AG37	1LT Coupe 1AG37	2LT Coupe 1AH37	3LT Coupe 1AH37	LT1 Coupe 1AJ37	1SS Coupe 1AJ37	2SS Coupe 1AK37	ZL1 Coupe 1AL37
			1LS	1LT	2LT	3LT	1LZ	1SS	2SS	1SE
			NB9		<b>Emissions override</b> , state-specific (for dealers ordering vehicles in (YF5) or (NE1) emission states - California, Connecticut, Delaware, Maine, Maryland, Massachusetts, New Jersey, New York, Oregon, Pennsylvania, Rhode Island, Vermont and Washington) <b>1 - Allows a California dealer (YF5 emissions) to order (NE1) emissions with (NB9) emissions override code for registration in (NE1) states; or, a Connecticut, Delaware, Maine, Maryland, Massachusetts, New Jersey, New York, Oregon, Pennsylvania, Rhode Island, Vermont and Washington dealer (NE1 emissions) to order (YF5) emissions with (NB9) emissions override code for registration in California.</b>	A <sup>1</sup>	A <sup>1</sup>	A <sup>1</sup>	A <sup>1</sup>	A <sup>1</sup>
NC7		<b>Emissions override</b> , Federal (for vehicles ordered by dealers in Federal emission states with (YF5) or (NE1) emissions - Not required for vehicles being shipped to California, Connecticut, Delaware, Maine, Maryland, Massachusetts, New Jersey, New York, Oregon, Pennsylvania, Rhode Island, Vermont or Washington) <b>1 - Requires (YF5) California state emissions requirements or (NE1) Connecticut, Delaware, Maine, Maryland, Massachusetts, New Jersey, New York, Oregon, Pennsylvania, Rhode Island, Vermont or Washington state emissions requirements.</b>	A <sup>1</sup>	A <sup>1</sup>	A <sup>1</sup>	A <sup>1</sup>	A <sup>1</sup>	A <sup>1</sup>	A <sup>1</sup>	A <sup>1</sup>
	LTG	<b>Engine</b> , 2.0L Turbo, 4-cylinder, SIDI, VVT (275 hp [205 kW] @ 5600 rpm, 295 lb-ft of torque [398.3 N-m] @ 3000-4500 rpm)	S	S	S	S	--	--	--	--
	LGX	<b>Engine</b> , 3.6L V6, DI, VVT (335 hp [250 kW] @ 6800 rpm, 284 lb-ft of torque [383.4 N-m] @ 5300 rpm)	--	A	A	A	--	--	--	--
	LT1	<b>Engine</b> , 6.2L (376 ci) V8 DI, VVT (455 hp [339.3 kW] @ 6000 rpm, 455 lb-ft of torque [614.3 N-m] @ 4400 rpm)	--	--	--	--	S	S	S	--
	LT4	<b>Engine</b> , 6.2L supercharged V8 DI, VVT (650 hp [485 kW] @ 6400 rpm, 650 lb-ft torque [881N-m] @ 3600 rpm)	--	--	--	--	--	--	--	S
		<b>Engine air filter life monitor</b>	S	S	S	S	--	--	--	--
K05		<b>Engine block heater</b>	A	A	A	A	--	--	--	--
	N10	<b>Exhaust</b> , dual-outlet stainless-steel, with bright tips	S	S	S	S	S	S	S	--
NPP		<b>Exhaust</b> , dual-mode <b>1 - Requires (LGX) 3.6L V6 engine.</b>	--	A <sup>1</sup>	A <sup>1</sup>	A <sup>1</sup>	A	A	A	S

Free Flow RPO Code	Ref. Only RPO Code	Description	1LS Coupe 1AG37	1LT Coupe 1AG37	2LT Coupe 1AH37	3LT Coupe 1AH37	LT1 Coupe 1AJ37	1SS Coupe 1AJ37	2SS Coupe 1AK37	ZL1 Coupe 1AL37
			1LS	1LT	2LT	3LT	1LZ	1SS	2SS	1SE
	XLC	<b>Launch control</b> , custom 1 - Included and only available with (MX0) automatic transmission.	--	--	--	--	--	A <sup>1</sup>	A <sup>1</sup>	S
5WF		<b>LPO, Battery Protection Package</b>	A/D	A/D	A/D	A/D	A/D	A/D	A/D	A/D
PCU		<b>LPO, 4-Corner Brembo brake upgrade system in Red</b> , includes (5LQ) 6 Piston Front Brake Kit, LPO and (RX0) 4 Piston Brembo rear calipers in Red, LPO	--	--	--	--	--	A/D	A/D	--
5LQ		<b>LPO, 6 Piston Front Brake Kit</b> , includes Brembo Red brake calipers, slotted rotors and pad upgrade. Front brakes only.	A/D	A/D	A/D	A/D	A/D	A/D	A/D	--
	RX0	<b>LPO, 4 Piston Brembo rear calipers in Red</b> 1 - Included and only available with (PCU) 4-Corner Brembo brake upgrade system in Red, LPO.	--	--	--	--	--	A/D <sup>1</sup>	A/D <sup>1</sup>	--
RVK		<b>LPO, Performance air intake</b> 1 - Not available at start of production.	--	--	--	--	A/D <sup>1</sup>	A/D <sup>1</sup>	A/D <sup>1</sup>	--
SLN		<b>LPO, Strut tower brace</b>	--	--	--	--	--	A/D	A/D	--
SCG		<b>LPO, 6.2L Strut tower brace in Black</b> 1 - Not available with (SLN) Strut tower brace. LPO.	--	--	--	--	A/D	A/D <sup>1</sup>	A/D <sup>1</sup>	--
SCJ		<b>LPO, Suspension Handling Package</b> , 1LE Track Pack - V8 1 - Requires (F55) Magnetic Ride Control. Not available with (SG3) Lowering suspension upgrade system, LPO.	--	--	--	--	--	A/D <sup>1</sup>	A/D <sup>1</sup>	--
SG3		<b>LPO, Lowering suspension upgrade system</b> 1 - Not available with (REG) 18" Silver-painted aluminum wheels. 2 - Not available with (F55) Magnetic Ride Control.	--	A/D <sup>1</sup>	A/D <sup>1</sup>	A/D <sup>1</sup>	A/D	A/D <sup>2</sup>	A/D <sup>2</sup>	--
SC1		<b>LPO, Sway bar suspension upgrade system</b> 1 - Requires (SG3) Lowering suspension upgrade system, LPO. 2 - Requires (SG3) Lowering suspension upgrade system, LPO. Not available with (F55) Magnetic Ride Control.	--	--	--	--	A/D <sup>1</sup>	A/D <sup>2</sup>	A/D <sup>2</sup>	--
F55		<b>Magnetic Ride Control</b> 1 - Deleted when (A1Z) ZL1 1LE Extreme Track Performance Package is ordered.	--	--	--	--	--	A	A	S <sup>1</sup>

Free Flow RPO Code	Ref. Only RPO Code	Description	1LS Coupe 1AG37	1LT Coupe 1AG37	2LT Coupe 1AH37	3LT Coupe 1AH37	LT1 Coupe 1AJ37	1SS Coupe 1AJ37	2SS Coupe 1AK37	ZL1 Coupe 1AL37
			1LS	1LT	2LT	3LT	1LZ	1SS	2SS	1SE
			Y4Q		<b>Heavy-Duty Cooling and Brake Package</b> , includes (KC4) external engine oil cooler and (J55) Brembo 4-piston front performance, 4-wheel antilock, 4-wheel disc brakes; also includes (V03) extra capacity cooling system when (MX0) automatic transmission is ordered <b>1 - Requires (WRS) RS Package or (RTH) 20" 5-spoke Carbon Flash painted aluminum wheels. Included with (A1X) 1LE Track Performance Package.</b>	--	A <sup>1</sup>	A <sup>1</sup>	A <sup>1</sup>	--
A1X		<b>1LE Track Performance Package</b> , includes (J55) Brembo 4-piston front performance, 4-wheel antilock, 4-wheel disc brakes, (KC4) external engine oil cooler, (V03) extra capacity cooling system, (KNR) rear differential cooler, (KD1) transmission oil cooler, (Y4Q) Heavy-Duty Cooling and Brake Package, (FE3) performance suspension, (FTF) Black front splitter, (DSM) Satin Black hood wrap, (D5S) Satin Black rear blade spoiler, (R0F) 245/40ZR20 front and 275/35ZR20 rear, blackwall, summer-only, run-flat tires, (56Z) 20" x 8.5" front and 20" x 9.5" rear Black forged aluminum wheels, RS badging, RS lighting, (N26) sueded-wrapped, flat-bottom steering wheel and (KS9) sueded-wrapped shift knob, also includes (NPP) dual-mode exhaust and (V18) auxiliary engine coolant when (LGX) 3.6L V6 engine is ordered <b>1 - Requires (H1T/H0Y) Jet Black interior and (MN6) 6-speed manual transmission. Not available with A9B, B9M, P3H, PDL, PDN, WRS; any other wheels; the following Stripes: BO3, C2U, C3O, DUU, DUV, DW7; and the following LPOs: 5JX, 5V5, 5VM, 5ZB, 5ZD, 5ZU, 5ZV, 5ZW, 5ZZ, PCK, PCR, PCY, PCX, R88, RMH, RXH, RY2, RZ3, RZB, SA7, SB2, SB7, SB9, SCY, SF8, SF9, SFA, SFC, SFZ, SG3, SHL, SHQ, SKW, SL2, SNB, SNC, SNE, SNG, SNH, SNJ, SNM, SNP, SNQ, SNS, VPO, VPW, VTD, VTF, WGL.</b>	--	A <sup>1</sup>	A <sup>1</sup>	A <sup>1</sup>	--	--	--	--



Free Flow RPO Code	Ref. Only RPO Code	Description	1LS Coupe 1AG37	1LT Coupe 1AG37	2LT Coupe 1AH37	3LT Coupe 1AH37	LT1 Coupe 1AJ37	1SS Coupe 1AJ37	2SS Coupe 1AK37	ZL1 Coupe 1AL37
			1LS	1LT	2LT	3LT	1LZ	1SS	2SS	1SE
A1Y		<p><b>SS 1LE Track Performance Package</b>, includes (J6M) Brembo Red, 6-piston front monobloc calipers, 4-piston rear calipers, 2-piece rotors, performance, 4-wheel antilock, 4-wheel disc brakes, (G96) electronic limited slip differential, (NPP) dual-mode performance exhaust, (F55) Magnetic Ride Control, (FE4) performance suspension, (FTJ) Black front splitter, (DSM) Satin Black hood wrap, (D5S) Satin Black rear blade spoiler, (R0G) 285/30R20 front and 305/30R20 rear, blackwall, summer-only tires, (RSK) 20" x 10" front and 20" x 11" rear Satin Graphite forged aluminum wheels, (AQJ) RECARO performance front bucket seats, (N26) sueded-wrapped, flat-bottom steering wheel and (KS9) sueded-wrapped shift knob, also includes (HRD) 2.85 rear axle ratio when (MX0) automatic transmission is ordered 1 - Also includes (UV6) Head-Up Display. Requires (H1T) Jet Black interior. Not available with A9B, J6F, J6L, PDL; any other wheels; the following Stripes: BO3, BO4, C2U, DUV, DW7, DW8; and the following LPOs: 5LQ, 5V5, 5VM, 5ZB, 5ZD, 5ZU, 5ZV, 5ZW, 5ZZ, PCK, PCR, PCX, RMH, RXJ, RY2, RZ3, S0V, SB2, SB3, SB7, SB9, SC1, SCJ, SF8, SF9, SFA, SFC, SFZ, SG3, SHQ, SL2, SNB, SNC, SNE, SNG, SNH, SNJ, SNM, SNP, SNQ, SNS, VPO, VPW, VTD, WGL.</p> <p>2 - Requires (H0Y) Jet Black interior. Not available with A9B, J6F, J6L, PDL, PDN; any other wheels; the following Stripes: BO3, BO4, C2U, DUV, DW7, DW8; and the following LPOs: 5LQ, 5V5, 5VM, 5ZB, 5ZD, 5ZU, 5ZV, 5ZW, 5ZZ, PCK, PCR, PCX, RMH, RXJ, RY2, RZ3, S0V, SB2, SB3, SB7, SB9, SC1, SCJ, SF8, SF9, SFA, SFC, SFZ, SG3, SHQ, SL2, SNB, SNC, SNE, SNG, SNH, SNJ, SNM, SNP, SNQ, SNS, VPO, VPW, VTD, WGL.</p>	--	--	--	--	--	A <sup>1</sup>	A <sup>2</sup>	--

Free Flow RPO Code	Ref. Only RPO Code	Description	1LS Coupe 1AG37	1LT Coupe 1AG37	2LT Coupe 1AH37	3LT Coupe 1AH37	LT1 Coupe 1AJ37	1SS Coupe 1AJ37	2SS Coupe 1AK37	ZL1 Coupe 1AL37
			1LS	1LT	2LT	3LT	1LZ	1SS	2SS	1SE
			A1Z		<b>ZL1 1LE Extreme Track Performance Package</b> , includes (FEA) Performance Suspension with DSSV dampers, Red calipers, (DSM) Satin Black hood wrap, (CFW) exposed Carbon Fiber weave hood insert, (T42) exposed weave carbon fiber rear spoiler, low-gloss Black outside rearview mirrors, dark tail lamps, front dive planes, unique front splitter with lower DRL deleted, (R6O) 305/30R19 front and 325/30R19 rear, blackwall, summer-only tires, (PKJ) 19" x 11" front and 19" x 12" rear low gloss Black-painted forged aluminum wheels, (A62) rear fixed seat, and specific ratios when 6-speed manual transmission is ordered <b>1 - Not available with (CF5) power sunroof, any other wheels, (DVV) Black Metallic Center Stripe; and the following LPOs: 6ZQ, PDX, RNX, RWJ, SL1, VDN, VGS, VRU.</b>	--	--	--	--	--
	KB7	<b>Paddle-shift manual controls</b> 1 - Included and only available with (MX0) automatic transmission.	A <sup>1</sup>	A <sup>1</sup>	A <sup>1</sup>	A <sup>1</sup>	A <sup>1</sup>	A <sup>1</sup>	A <sup>1</sup>	A <sup>1</sup>
	GW6	<b>Rear axle, 3.27 ratio</b>	S	S	S	S	--	--	--	--
	GT4	<b>Rear axle, 3.73 ratio</b> 1 - Included with (MN6) 6-speed manual transmission.	--	--	--	--	S <sup>1</sup>	S <sup>1</sup>	S <sup>1</sup>	S <sup>1</sup>
	HRD	<b>Rear axle, 2.85 ratio</b> 1 - Included and only available with (A1Y) SS 1LE Track Performance Package when (MX0) automatic transmission is ordered. 2 - Included and only available with (MX0) automatic transmission.	--	--	--	--	--	A <sup>1</sup>	A <sup>1</sup>	A <sup>2</sup>
	HRE	<b>Rear axle, 2.77 ratio</b> 1 - Included and only available with (MX0) automatic transmission when (LGX) 3.6L V6 engine is ordered. 2 - Included and only available with (MX0) automatic transmission. 3 - Included and only available with (MX0) automatic transmission when (A1Y) SS 1LE Track Performance Package is not ordered.	--	A <sup>1</sup>	A <sup>1</sup>	A <sup>1</sup>	A <sup>2</sup>	A <sup>3</sup>	A <sup>3</sup>	--
		<b>Rear wheel drive</b>	S	S	S	S	S	S	S	S
		<b>StabiliTrak</b> , stability control system with brake assist, includes traction control	S	S	S	S	S	S	S	S
	NV9	<b>Steering</b> , power, variable ratio, electric	S	S	S	S	S	S	S	S
	FE2	<b>Suspension</b> , Sport	S	S	S	S	--	--	--	--
	FE3	<b>Suspension</b> , Performance 1 - Included and only available with (A1X) 1LE Track Performance Package.	--	A <sup>1</sup>	A <sup>1</sup>	A <sup>1</sup>	S	S	S	--

Free Flow RPO Code	Ref. Only RPO Code	Description	1LS Coupe 1AG37	1LT Coupe 1AG37	2LT Coupe 1AH37	3LT Coupe 1AH37	LT1 Coupe 1AJ37	1SS Coupe 1AJ37	2SS Coupe 1AK37	ZL1 Coupe 1AL37
			1LS	1LT	2LT	3LT	1LZ	1SS	2SS	1SE
	FE4	<b>Suspension, Performance</b> 1 - Included and only available with (A1Y) SS 1LE Track Performance Package.	--	--	--	--	--	A <sup>1</sup>	A <sup>1</sup>	S
	FEA	<b>Suspension, Performance with DSSV dampers</b> 1 - Included and only available with (A1Z) ZL1 1LE Extreme Track Performance Package.	--	--	--	--	--	--	--	A <sup>1</sup>
	MN6	<b>Transmission, 6-speed manual</b> 1 - Includes Active Rev Matching.	S	S	S	S	S <sup>1</sup>	S <sup>1</sup>	S <sup>1</sup>	S <sup>1</sup>
MX0		<b>Transmission, 8-speed automatic, includes transmission oil cooler and (BTV) remote vehicle starter system</b> 1 - Requires (LTG) 2.0L Turbo engine.	A	A <sup>1</sup>	A <sup>1</sup>	A <sup>1</sup>	--	--	--	--
MX0		<b>Transmission, 10-speed automatic, includes transmission oil cooler and (BTV) remote vehicle starter system</b> 1 - Requires (LGX) 3.6L V6 engine.	--	A <sup>1</sup>	A <sup>1</sup>	A <sup>1</sup>	A	A	A	A

S = Standard Equipment A = Available --(dashes) = Not Available D = ADI Available

■ = Included in Equipment Group □ = Included in Equipment Group but upgradeable

Codes listed in the shaded column titled Ref. Only RPO Code are for internal use only and should not be ordered.

Free Flow RPO Code	Ref. Only RPO Code	Description	1LT	2LT	3LT	LT1	1SS	2SS	ZL1
			Convertible	Convertible	Convertible	Convertible	Convertible	Convertible	Convertible
			1AG67	1AH67	1AH67	1AJ67	1AJ67	1AK67	1AL67
			1LT	2LT	3LT	1LZ	1SS	2SS	1SE
		<b>Battery rundown protection</b>	S	S	S	S	S	S	S
		<b>Brake</b> , parking, electric	S	S	S	S	S	S	S
	JL9	<b>Brakes</b> , 4-wheel antilock, 4-wheel disc	S	S	S	--	--	--	--
	J55	<b>Brakes</b> , Brembo 4-piston front, performance, 4-wheel antilock, 4-wheel disc 1 - Included and only available with (J6F) Red-painted calipers or (J6L) Orange-painted calipers.	A <sup>1</sup>	A <sup>1</sup>	A <sup>1</sup>	S	--	--	--
	J6G	<b>Brakes</b> , Brembo 4-piston front and rear, performance, 4-wheel antilock, 4-wheel disc	--	--	--	--	S	S	--
	J6H	<b>Brakes</b> , Brembo 6-piston front and 4-piston rear, performance, 4-wheel antilock, 4-wheel disc	--	--	--	--	--	--	S
J6L		<b>Calipers</b> , Orange-painted 1 - Includes (J55) Brembo 4-piston front, performance brakes. Not available REG/5K9 wheels. 2 - Not available with (5K9) 20" Caliente wheels. 3 - Not available with (57V) 20" Caliente wheels.	A <sup>1</sup>	A <sup>1</sup>	A <sup>1</sup>	A <sup>2</sup>	A <sup>3</sup>	A <sup>3</sup>	--
J6F		<b>Calipers</b> , Red-painted 1 - Includes (J55) Brembo 4-piston front, performance brakes. Not available REG/5K9 wheels. 2 - Not available with (5K9) 20" Caliente wheels. 3 - Not available with (57V) 20" Caliente wheels.	A <sup>1</sup>	A <sup>1</sup>	A <sup>1</sup>	A <sup>2</sup>	A <sup>3</sup>	A <sup>3</sup>	--
	KC4	<b>Cooling</b> , external engine oil cooler	--	--	--	S	S	S	S
	V03	<b>Cooling system</b> , extra capacity	--	--	--	--	S	S	S
	V18	<b>Cooler</b> , engine coolant, auxiliary	--	--	--	--	--	--	S
	KNR	<b>Cooler</b> , rear differential	--	--	--	--	--	--	S
	KD1	<b>Cooler</b> , transmission oil 1 - Included and only available with (MX0) automatic transmission.	--	--	--	--	A <sup>1</sup>	A <sup>1</sup>	S
	G80	<b>Differential</b> , limited slip 1 - Deleted when (MX0) automatic transmission is ordered.	S <sup>1</sup>	S <sup>1</sup>	S <sup>1</sup>	S	S	S	S
		<b>Driver Mode Selector</b> , up to 4 modes available for various driving conditions - Snow/Ice, Tour, Sport and Track (SS and ZL1 models only)	S	S	S	S	S	S	S
FE9		<b>Emissions</b> , Federal requirements	A	A	A	A	A	A	A
YF5		<b>Emissions</b> , California state requirements	A	A	A	A	A	A	A

Free Flow RPO Code	Ref. Only RPO Code	Description	1LT	2LT	3LT	LT1	1SS	2SS	ZL1
			Convertible	Convertible	Convertible	Convertible	Convertible	Convertible	Convertible
			1AG67	1AH67	1AH67	1AJ67	1AJ67	1AK67	1AL67
			1LT	2LT	3LT	1LZ	1SS	2SS	1SE
NE1		<b>Emissions</b> , Connecticut, Delaware, Maine, Maryland, Massachusetts, New Jersey, New York, Oregon, Pennsylvania, Rhode Island, Vermont and Washington state requirements	A	A	A	A	A	A	A
NB8		<b>Emissions override</b> , California (allows a dealer in states that require California emissions - California, Connecticut, Delaware, Maryland, Massachusetts, New Jersey, New York, Oregon, Pennsylvania, Rhode Island or Washington - to order Federal emissions for a vehicle that will be registered in a state that has Federal emission requirements). Do not use for vehicles that will be registered in California, Connecticut, Delaware, Maryland, Massachusetts, New Jersey, New York, Oregon, Pennsylvania, Rhode Island or Washington. <b>1 - Requires (FE9) Federal emissions requirements. Not available in Maine or Vermont.</b>	A <sup>1</sup>	A <sup>1</sup>	A <sup>1</sup>	A <sup>1</sup>	A <sup>1</sup>	A <sup>1</sup>	A <sup>1</sup>
NB9		<b>Emissions override</b> , state-specific (for dealers ordering vehicles in (YF5) or (NE1) emission states - California, Connecticut, Delaware, Maine, Maryland, Massachusetts, New Jersey, New York, Oregon, Pennsylvania, Rhode Island, Vermont and Washington) <b>1 - Allows a California dealer (YF5 emissions) to order (NE1) emissions with (NB9) emissions override code for registration in (NE1) states; or, a Connecticut, Delaware, Maine, Maryland, Massachusetts, New Jersey, New York, Oregon, Pennsylvania, Rhode Island, Vermont and Washington dealer (NE1 emissions) to order (YF5) emissions with (NB9) emissions override code for registration in California.</b>	A <sup>1</sup>	A <sup>1</sup>	A <sup>1</sup>	A <sup>1</sup>	A <sup>1</sup>	A <sup>1</sup>	A <sup>1</sup>
NC7		<b>Emissions override</b> , Federal (for vehicles ordered by dealers in Federal emission states with (YF5) or (NE1) emissions - Not required for vehicles being shipped to California, Connecticut, Delaware, Maine, Maryland, Massachusetts, New Jersey, New York, Oregon, Pennsylvania, Rhode Island, Vermont or Washington) <b>1 - Requires (YF5) California state emissions requirements or (NE1) Connecticut, Delaware, Maine, Maryland, Massachusetts, New Jersey, New York, Oregon, Pennsylvania, Rhode Island, Vermont or Washington state emissions requirements.</b>	A <sup>1</sup>	A <sup>1</sup>	A <sup>1</sup>	A <sup>1</sup>	A <sup>1</sup>	A <sup>1</sup>	A <sup>1</sup>
	LTG	<b>Engine</b> , 2.0L Turbo, 4-cylinder, SIDI, VVT (275 hp [205 kW] @ 5600 rpm, 295 lb-ft of torque [398.3 N-m] @ 3000-4500 rpm)	S	S	S	--	--	--	--
	LGX	<b>Engine</b> , 3.6L V6, DI, VVT (335 hp [250 kW] @ 6800 rpm, 284 lb-ft of torque [383.4 N-m] @ 5300 rpm)	A	A	A	--	--	--	--

Free Flow RPO Code	Ref. Only RPO Code	Description	1LT	2LT	3LT	LT1	1SS	2SS	ZL1
			Convertible	Convertible	Convertible	Convertible	Convertible	Convertible	Convertible
			1AG67	1AH67	1AH67	1AJ67	1AJ67	1AK67	1AL67
			1LT	2LT	3LT	1LZ	1SS	2SS	1SE
	LT1	<b>Engine</b> , 6.2L (376 ci) V8 DI, VVT (455 hp [339.3 kW] @ 6000 rpm, 455 lb-ft of torque [614.3 N-m] @ 4400 rpm)	--	--	--	S	S	S	--
	LT4	<b>Engine</b> , 6.2L supercharged V8 DI, VVT (650 hp [485 kW] @ 6400 rpm, 650 lb-ft torque [881N-m] @ 3600 rpm)	--	--	--	--	--	--	S
		<b>Engine air filter life monitor</b>	S	S	S	--	--	--	--
K05		<b>Engine block heater</b>	A	A	A	--	--	--	--
	N10	<b>Exhaust</b> , dual-outlet stainless-steel, with bright tips	S	S	S	S	S	S	--
	NPP	<b>Exhaust</b> , dual-mode 1 - Requires (LGX) 3.6L V6 engine.	A <sup>1</sup>	A <sup>1</sup>	A <sup>1</sup>	A	A	A	S
	XLC	<b>Launch control</b> , custom 1 - Included and only available with (MX0) automatic transmission.	--	--	--	--	A <sup>1</sup>	A <sup>1</sup>	S
	5WF	<b>LPO, Battery Protection Package</b>	A/D	A/D	A/D	A/D	A/D	A/D	A/D
	PCU	<b>LPO, 4-Corner Brembo brake upgrade system in Red</b> , includes (5LQ) 6 Piston Front Brake Kit, LPO and (RX0) 4 Piston Brembo rear calipers in Red, LPO	--	--	--	--	A/D	A/D	--
	5LQ	<b>LPO, 6 Piston Front Brake Kit</b> , includes Brembo Red brake calipers, slotted rotors and pad upgrade. Front brakes only.	A/D	A/D	A/D	A/D	A/D	A/D	--
	RX0	<b>LPO, 4 Piston Brembo rear calipers in Red</b> 1 - Included and only available with (PCU) 4-Corner Brembo brake upgrade system in Red, LPO.	--	--	--	--	A/D <sup>1</sup>	A/D <sup>1</sup>	--
	RVK	<b>LPO, Performance air intake</b> 1 - Not available at start of production.	--	--	--	A/D <sup>1</sup>	A/D <sup>1</sup>	A/D <sup>1</sup>	--
	SCG	<b>LPO, 6.2L Strut tower brace in Black</b>	--	--	--	A/D	A/D	A/D	--
	SG3	<b>LPO, Lowering suspension upgrade system</b> 1 - Not available with (REG) 18" Silver-painted aluminum wheels. 2 - Not available with (F55) Magnetic Ride Control.	A/D <sup>1</sup>	A/D <sup>1</sup>	A/D <sup>1</sup>	A/D	A/D <sup>2</sup>	A/D <sup>2</sup>	--
	F55	<b>Magnetic Ride Control</b>	--	--	--	--	A	A	S
	KB7	<b>Paddle-shift manual controls</b> 1 - Included and only available with (MX0) automatic transmission.	A <sup>1</sup>	A <sup>1</sup>	A <sup>1</sup>	A <sup>1</sup>	A <sup>1</sup>	A <sup>1</sup>	A <sup>1</sup>
	GW6	<b>Rear axle</b> , 3.27 ratio	S	S	S	--	--	--	--
	GT4	<b>Rear axle</b> , 3.73 ratio 1 - Included with (MN6) 6-speed manual transmission.	--	--	--	S <sup>1</sup>	S <sup>1</sup>	S <sup>1</sup>	S <sup>1</sup>

Free Flow RPO Code	Ref. Only RPO Code	Description	1LT	2LT	3LT	LT1	1SS	2SS	ZL1
			Convertible	Convertible	Convertible	Convertible	Convertible	Convertible	Convertible
			1AG67	1AH67	1AH67	1AJ67	1AJ67	1AK67	1AL67
			1LT	2LT	3LT	1LZ	1SS	2SS	1SE
	HRE	<b>Rear axle, 2.77 ratio</b> 1 - Included and only available with (MX0) automatic transmission when (LGX) 3.6L V6 engine is ordered. 2 - Included and only available with (MX0) automatic transmission.	A <sup>1</sup>	A <sup>1</sup>	A <sup>1</sup>	A <sup>2</sup>	A <sup>2</sup>	A <sup>2</sup>	A <sup>2</sup>
		<b>Rear wheel drive</b>	S	S	S	S	S	S	S
		<b>StabiliTrak</b> , stability control system with brake assist, includes traction control	S	S	S	S	S	S	S
	NV9	<b>Steering</b> , power, variable ratio, electric	S	S	S	S	S	S	S
	FE2	<b>Suspension</b> , Sport	S	S	S	--	--	--	--
	FE3	<b>Suspension</b> , Performance	--	--	--	S	S	S	--
	FE4	<b>Suspension</b> , Performance	--	--	--	--	--	--	S
	MN6	<b>Transmission</b> , 6-speed manual 1 - Includes Active Rev Matching.	S	S	S	S <sup>1</sup>	S <sup>1</sup>	S <sup>1</sup>	S <sup>1</sup>
MX0		<b>Transmission</b> , 8-speed automatic, includes transmission oil cooler and (BTV) remote vehicle starter system 1 - Requires (LTG) 2.0L Turbo engine.	A <sup>1</sup>	A <sup>1</sup>	A <sup>1</sup>	--	--	--	--
MX0		<b>Transmission</b> , 10-speed automatic, includes transmission oil cooler and (BTV) remote vehicle starter system 1 - Requires (LGX) 3.6L V6 engine.	A <sup>1</sup>	A <sup>1</sup>	A <sup>1</sup>	A	A	A	A

S = Standard Equipment A = Available --(dashes) = Not Available D = ADI Available  
 ■ = Included in Equipment Group □ = Included in Equipment Group but upgradeable

Model	Seat Type	Seat Code	Seat Trim	Interior					
				Jet Black	Medium Ash Gray	Kalahari	Adrenaline Red <sup>1</sup>	Ceramic White <sup>2</sup>	Jet Black with Red accents
1LS, 1LT, 1LZ, 1SS	Sport front buckets	A50	Cloth	H1T	H72	--	--	--	--
1LT, 1LZ, 1SS	RECARO Performance front buckets	AQJ	Front leather-trimmed with sueded inserts	H1T	--	--	--	--	--
2LT, 3LT, 2SS	Sport front buckets	A50	Front leather-trimmed seats	H0Y	H17	H01	H16	H13	--
2LT, 3LT, 2SS	RECARO Performance front buckets	AQJ	Front leather-trimmed with sueded inserts	H0Y	--	--	--	--	--
ZL1	RECARO Performance front buckets	AQJ	Front leather-trimmed with sueded inserts	--	--	--	--	--	H0W



Exterior Solid Paint	Color Code	Touch Up Paint Number	Interior					
			Jet Black	Medium Ash Gray	Kalahari	Adrenaline Red <sup>1</sup>	Ceramic White <sup>2</sup>	Jet Black with Red accents
Crush <sup>3</sup> Convertible top color	G16	WA-413C	A 19T	A 19T	--	--	A 19T	A 19T
Red Hot Convertible top color	G7C	WA-130X	A 19T	A 19T	A 19T/ 21T	A 19T	A 19T	A 19T
Satin Steel Metallic Convertible top color	G9K	WA-464C	A 00T/ 19T	A 00T/ 19T	A 19T/ 21T	A 19T	A 00T/ 19T	A 19T
Summit White Convertible top color	GAZ	WA-8624	A 00T/ 19T/ 21T	A 00T/ 19T	A 19T/ 21T	A 19T	A 00T/ 19T/ 21T	A 19T
Black Convertible top color	GBA	WA-8555	A 00T/ 19T/ 21T	A 00T/ 19T	A 19T/ 21T	A 19T	A 00T/ 19T	A 19T
Shadow Gray Metallic Convertible top color	GJI	WA-626D	A 00T/ 19T/ 21T	A 00T/ 19T	A 19T/ 21T	A 19T	A 00T/ 19T	A 19T
Riverside Blue Metallic Convertible top color	GKK	WA-627D	A 00T/ 19T	A 00T/ 19T	A 19T/ 21T	--	A 00T/ 19T	A 19T
Shock <sup>3</sup> Convertible top color	GKO	WA-628D	A 19T	A 19T	--	--	A 19T	A 19T
<b>NEW!</b> Wild Cherry Tintcoat <sup>3</sup> Convertible top color	GSK	WA-252F	A 19T	A 19T	A 19T / 21T	A 19T	A 19T	A 19T

Convertible top colors: 00T = Blue, 19T = Black, 21T = Kalahari.

Convertible top must be specified in "Plus" (+) option section of order worksheet.

1 - Included and only available with (BRJ) Adrenaline Red Interior Package.

2 - Included and only available with (BRD) Ceramic White Interior Package.

3 - Extra cost.

S = Standard Equipment A = Available --(dashes) = Not Available D = ADI Available

■ = Included in Equipment Group □ = Included in Equipment Group but upgradeable

Codes listed in the shaded column titled Ref. Only RPO Code are for internal use only and should not be ordered.

Free Flow RPO Code	Ref. Only RPO Code	Description	1LS	1LT	2LT	3LT	LT1	1SS	2SS	ZL1	
			Coupe	Coupe	Coupe	Coupe	Coupe	Coupe	Coupe	Coupe	Coupe
			1AG37	1AG37	1AH37	1AH37	1AJ37	1AJ37	1AK37	1AL37	
			1LS	1LT	2LT	3LT	1LZ	1SS	2SS	1SE	
P0J		<p><b>OnStar Additional 21 months of OnStar Fleet Safety and Security.</b>                      Provides 21 months of Fleet Safety and Security service in addition to the 3 months of complimentary coverage that is included in the price of the vehicle.                      Total OnStar Fleet Safety and Security service duration is 24 months.                      1 - Requires (UE1) OnStar. Requires one of the following Fleet or Government order types: FLS, FNR, FRC, FBC, FGO or FEF.                      Not available with P0K, P0L, R7Z, P1R, P1S, P1T or P1U. Not available with a ship-to of Guam, Puerto Rico or the Virgin Islands.</p>	A <sup>1</sup>	A <sup>1</sup>	A <sup>1</sup>	A <sup>1</sup>	A <sup>1</sup>	A <sup>1</sup>	A <sup>1</sup>	A <sup>1</sup>	
P0K		<p><b>OnStar Additional 33 months of OnStar Fleet Safety and Security.</b>                      Provides 33 months of Fleet Safety and Security service in addition to the 3 months of complimentary coverage that is included in the price of the vehicle.                      Total OnStar Fleet Safety and Security service duration is 36 months.                      1 - Requires (UE1) OnStar. Requires one of the following Fleet or Government order types: FLS, FNR, FRC, FBC, FGO or FEF.                      Not available with P0J, P0L, R7Z, P1R, P1S, P1T or P1U. Not available with a ship-to of Guam, Puerto Rico or the Virgin Islands.</p>	A <sup>1</sup>	A <sup>1</sup>	A <sup>1</sup>	A <sup>1</sup>	A <sup>1</sup>	A <sup>1</sup>	A <sup>1</sup>	A <sup>1</sup>	
P0L		<p><b>OnStar Additional 45 months of OnStar Fleet Safety and Security.</b>                      Provides 45 months of Fleet Safety and Security service in addition to the 3 months of complimentary coverage that is included in the price of the vehicle.                      Total OnStar Fleet Safety and Security service duration is 48 months.                      1 - Requires (UE1) OnStar. Requires one of the following Fleet or Government order types: FLS, FNR, FRC, FBC, FGO or FEF.                      Not available with P0J, P0K, R7Z, P1R, P1S, P1T or P1U. Not available with a ship-to of Guam, Puerto Rico or the Virgin Islands.</p>	A <sup>1</sup>	A <sup>1</sup>	A <sup>1</sup>	A <sup>1</sup>	A <sup>1</sup>	A <sup>1</sup>	A <sup>1</sup>	A <sup>1</sup>	

Free Flow RPO Code	Ref. Only RPO Code	Description	1LS Coupe 1AG37	1LT Coupe 1AG37	2LT Coupe 1AH37	3LT Coupe 1AH37	LT1 Coupe 1AJ37	1SS Coupe 1AJ37	2SS Coupe 1AK37	ZL1 Coupe 1AL37
			1LS	1LT	2LT	3LT	1LZ	1SS	2SS	1SE
R7Z		<b>NEW! OnStar Additional 57 months of OnStar Fleet Safety and Security.</b> Provides 57 months of Fleet Safety and Security service in addition to the 3 months of complimentary coverage that is included in the price of the vehicle. Total OnStar Fleet Safety and Security service duration is 60 months. <b>1 - Requires (UE1) OnStar. Requires one of the following Fleet or Government order types: FLS, FNR, FRC, FBC, FGO or FEF. Not available with P0J, P0K, P0L, P1R, P1S, P1T or P1U. Not available with a ship-to of Guam, Puerto Rico or the Virgin Islands.</b>	A <sup>1</sup>	A <sup>1</sup>	A <sup>1</sup>	A <sup>1</sup>	A <sup>1</sup>	A <sup>1</sup>	A <sup>1</sup>	A <sup>1</sup>
P0M		<b>OnStar Additional 21 months of OnStar Fleet Remote Access.</b> Provides 21 months of Fleet Remote Access service in addition to the 3 months of complimentary coverage that is included in the price of the vehicle. Total OnStar Fleet Remote Access service duration is 24 months. <b>1 - Requires (UE1) OnStar. Requires one of the following Fleet or Government order types: FLS, FNR, FRC, FBC, FGO or FEF. Not available with P0N or P0O. Not available with a ship-to of Guam, Puerto Rico or the Virgin Islands.</b>	A <sup>1</sup>	A <sup>1</sup>	A <sup>1</sup>	A <sup>1</sup>	A <sup>1</sup>	A <sup>1</sup>	A <sup>1</sup>	A <sup>1</sup>
P0N		<b>OnStar Additional 33 months of OnStar Fleet Remote Access.</b> Provides 33 months of Fleet Remote Access service in addition to the 3 months of complimentary coverage that is included in the price of the vehicle. Total OnStar Fleet Remote Access service duration is 36 months. <b>1 - Requires (UE1) OnStar. Requires one of the following Fleet or Government order types: FLS, FNR, FRC, FBC, FGO or FEF. Not available with P0M or P0O. Not available with a ship-to of Guam, Puerto Rico or the Virgin Islands.</b>	A <sup>1</sup>	A <sup>1</sup>	A <sup>1</sup>	A <sup>1</sup>	A <sup>1</sup>	A <sup>1</sup>	A <sup>1</sup>	A <sup>1</sup>
P0O		<b>OnStar Additional 45 months of OnStar Fleet Remote Access.</b> Provides 45 months of Fleet Remote Access service in addition to the 3 months of complimentary coverage that is included in the price of the vehicle. Total OnStar Fleet Remote Access service duration is 48 months. <b>1 - Requires (UE1) OnStar. Requires one of the following Fleet or Government order types: FLS, FNR, FRC, FBC, FGO or FEF. Not available with P0M or P0N. Not available with a ship-to of Guam, Puerto Rico or the Virgin Islands.</b>	A <sup>1</sup>	A <sup>1</sup>	A <sup>1</sup>	A <sup>1</sup>	A <sup>1</sup>	A <sup>1</sup>	A <sup>1</sup>	A <sup>1</sup>

Free Flow RPO Code	Ref. Only RPO Code	Description	1LS Coupe 1AG37	1LT Coupe 1AG37	2LT Coupe 1AH37	3LT Coupe 1AH37	LT1 Coupe 1AJ37	1SS Coupe 1AJ37	2SS Coupe 1AK37	ZL1 Coupe 1AL37
			1LS	1LT	2LT	3LT	1LZ	1SS	2SS	1SE
			P0V		<p><b>OnStar Vehicle Insights - 1 year of Service.</b> Includes 12 months of OnStar Vehicle Insights service. OnStar Vehicle Insights provides fleet managers and drivers the tools and data they need to help maximize fleet productivity and help maximize fleet's operational efficiencies. OnStar Vehicle Insights relays real-time vehicle data like vehicle location, driver performance information and more. Eligible customers must sign up for an account at <a href="http://www.onstarvehicleinsights.com">www.onstarvehicleinsights.com</a> in order to take advantage of this 12 months offer. Requires an active connected vehicle services plan. The OnStar Vehicle Insights service is included in the price of the vehicle. Total service duration is 12 months. Non-Transferrable. Non-Refundable.</p> <p><b>1 - Requires (UE1) OnStar. Requires one of the following Fleet or Government order types: FLS, FNR, FRC, FBC, FGO or FEF. Not available with P0J, P0K, P0L, P1R, P1S or P1T. Not available with a ship-to of Guam, Puerto Rico or the Virgin Islands.</b></p>	A <sup>1</sup>	A <sup>1</sup>	A <sup>1</sup>	A <sup>1</sup>	A <sup>1</sup>
P0W		<p><b>OnStar Vehicle Insights - 2 years of Service.</b> Includes 24 months of OnStar Vehicle Insights service. OnStar Vehicle Insights provides fleet managers and drivers the tools and data they need to help maximize fleet productivity and help maximize fleet's operational efficiencies. OnStar Vehicle Insights relays real-time vehicle data like vehicle location, driver performance information and more. Eligible customers must sign up for an account at <a href="http://www.onstarvehicleinsights.com">www.onstarvehicleinsights.com</a> in order to take advantage of this 24 months offer. Requires an active connected vehicle services plan. The OnStar Vehicle Insights service is included in the price of the vehicle. Total service duration is 24 months. Non-Transferrable. Non-Refundable.</p> <p><b>1 - Requires (UE1) OnStar. Requires one of the following Fleet or Government order types: FLS, FNR, FRC, FBC, FGO or FEF. Not available with P0V, P0X, P0Y or P0Z. Not available with a ship-to of Guam, Puerto Rico or the Virgin Islands.</b></p>	A <sup>1</sup>	A <sup>1</sup>	A <sup>1</sup>	A <sup>1</sup>	A <sup>1</sup>	A <sup>1</sup>	A <sup>1</sup>	

Free Flow RPO Code	Ref. Only RPO Code	Description	1LS Coupe 1AG37	1LT Coupe 1AG37	2LT Coupe 1AH37	3LT Coupe 1AH37	LT1 Coupe 1AJ37	1SS Coupe 1AJ37	2SS Coupe 1AK37	ZL1 Coupe 1AL37
			1LS	1LT	2LT	3LT	1LZ	1SS	2SS	1SE
			P0X		<p><b>OnStar Vehicle Insights - 3 years of Service.</b> Includes 36 months of OnStar Vehicle Insights service. OnStar Vehicle Insights provides fleet managers and drivers the tools and data they need to help maximize fleet productivity and help maximize fleet's operational efficiencies. OnStar Vehicle Insights relays real-time vehicle data like vehicle location, driver performance information and more. Eligible customers must sign up for an account at <a href="http://www.onstarvehicleinsights.com">www.onstarvehicleinsights.com</a> in order to take advantage of this 36 months offer. Requires an active connected vehicle services plan. The OnStar Vehicle Insights service is included in the price of the vehicle. Total service duration is 36 months. Non-Transferrable. Non-Refundable.</p> <p><b>1 - Requires (UE1) OnStar. Requires one of the following Fleet or Government order types: FLS, FNR, FRC, FBC, FGO or FEF. Not available with P0V, P0W, P0Y or P0Z. Not available with a ship-to of Guam, Puerto Rico or the Virgin Islands.</b></p>	A <sup>1</sup>	A <sup>1</sup>	A <sup>1</sup>	A <sup>1</sup>	A <sup>1</sup>
P0Y		<p><b>OnStar Vehicle Insights - 4 years of Service.</b> Includes 48 months of OnStar Vehicle Insights service. OnStar Vehicle Insights provides fleet managers and drivers the tools and data they need to help maximize fleet productivity and help maximize fleet's operational efficiencies. OnStar Vehicle Insights relays real-time vehicle data like vehicle location, driver performance information and more. Eligible customers must sign up for an account at <a href="http://www.onstarvehicleinsights.com">www.onstarvehicleinsights.com</a> in order to take advantage of this 48 months offer. Requires an active connected vehicle services plan. The OnStar Vehicle Insights service is included in the price of the vehicle. Total service duration is 48 months. Non-Transferrable. Non-Refundable.</p> <p><b>1 - Requires (UE1) OnStar. Requires one of the following Fleet or Government order types: FLS, FNR, FRC, FBC, FGO or FEF. Not available with P0V, P0W, P0X or P0Z. Not available with a ship-to of Guam, Puerto Rico or the Virgin Islands.</b></p>	A <sup>1</sup>	A <sup>1</sup>	A <sup>1</sup>	A <sup>1</sup>	A <sup>1</sup>	A <sup>1</sup>	A <sup>1</sup>	

Free Flow RPO Code	Ref. Only RPO Code	Description	1LS Coupe 1AG37	1LT Coupe 1AG37	2LT Coupe 1AH37	3LT Coupe 1AH37	LT1 Coupe 1AJ37	1SS Coupe 1AJ37	2SS Coupe 1AK37	ZL1 Coupe 1AL37
			1LS	1LT	2LT	3LT	1LZ	1SS	2SS	1SE
			P0Z		<p><b>OnStar Vehicle Insights - 5 years of Service.</b> Includes 60 months of OnStar Vehicle Insights service. OnStar Vehicle Insights provides fleet managers and drivers the tools and data they need to help maximize fleet productivity and help maximize fleet's operational efficiencies. OnStar Vehicle Insights relays real-time vehicle data like vehicle location, driver performance information and more. Eligible customers must sign up for an account at <a href="http://www.onstarvehicleinsights.com">www.onstarvehicleinsights.com</a> in order to take advantage of this 60 months offer. Requires an active connected vehicle services plan. The OnStar Vehicle Insights service is included in the price of the vehicle. Total service duration is 60 months. Non-Transferrable. Non-Refundable.</p> <p><b>1 - Requires (UE1) OnStar. Requires one of the following Fleet or Government order types: FLS, FNR, FRC, FBC, FGO or FEF. Not available on P0V, P0W, P0X or P0Y. Not available with a ship-to of Guam, Puerto Rico or the Virgin Islands.</b></p>	A <sup>1</sup>	A <sup>1</sup>	A <sup>1</sup>	A <sup>1</sup>	A <sup>1</sup>
P1R		<p><b>OnStar Additional 9 months of OnStar Assurance for Tier3 Fleets.</b> Provides 9 months of OnStar Assurance service in addition to the 3 months of complimentary Safety &amp; Security coverage that is included in the price of the vehicle. Total Fleet OnStar Safety &amp; Security service duration is 3 months and 9 months of OnStar Assurance.</p> <p><b>1 - Requires (UE1) OnStar. Requires one of the following Fleet or Government order types: FLS, FNR, FRC, FBC, FGO or FEF. Not available with P0J, P0K, P0L, R7Z, P1S, P1T or P1U. Not available with a ship-to of Guam, Puerto Rico or the Virgin Islands.</b></p>	A <sup>1</sup>	A <sup>1</sup>	A <sup>1</sup>	A <sup>1</sup>	A <sup>1</sup>	A <sup>1</sup>	A <sup>1</sup>	
P1S		<p><b>OnStar Additional 21 months of OnStar Assurance for Tier3 Fleets.</b> Provides 21 months of OnStar Assurance service in addition to the 3 months of complimentary Safety &amp; Security coverage that is included in the price of the vehicle. Total Fleet OnStar Safety &amp; Security service duration is 3 months and 21 months of OnStar Assurance.</p> <p><b>1 - Requires (UE1) OnStar. Requires one of the following Fleet or Government order types: FLS, FNR, FRC, FBC, FGO or FEF. Not available with P0J, P0K, P0L, R7Z, P1R, P1T or P1U. Not available with a ship-to of Guam, Puerto Rico or the Virgin Islands.</b></p>	A <sup>1</sup>	A <sup>1</sup>	A <sup>1</sup>	A <sup>1</sup>	A <sup>1</sup>	A <sup>1</sup>	A <sup>1</sup>	

Free Flow RPO Code	Ref. Only RPO Code	Description	1LS Coupe 1AG37	1LT Coupe 1AG37	2LT Coupe 1AH37	3LT Coupe 1AH37	LT1 Coupe 1AJ37	1SS Coupe 1AJ37	2SS Coupe 1AK37	ZL1 Coupe 1AL37
			1LS	1LT	2LT	3LT	1LZ	1SS	2SS	1SE
			P1T		<p><b>OnStar Additional 33 months of OnStar Assurance for Tier3 Fleets.</b> Provides 33 months of OnStar Assurance service in addition to the 3 months of complimentary Safety &amp; Security coverage that is included in the price of the vehicle. Total Fleet OnStar Safety &amp; Security service duration is 3 months and 33 months of OnStar Assurance.</p> <p>1 - Requires (UE1) OnStar. Requires one of the following Fleet or Government order types: FLS, FNR, FRC, FBC, FGO or FEF. Not available with P0J, P0K, P0L, R7Z, P1R, P1S or P1U. Not available with a ship-to of Guam, Puerto Rico or the Virgin Islands.</p>	A	A <sup>1</sup>	A <sup>1</sup>	A <sup>1</sup>	A <sup>1</sup>
P1U		<p><b>OnStar Additional 45 months of OnStar Assurance for Tier3 Fleets.</b> Provides 45 months of OnStar Assurance service in addition to the 3 months of complimentary Safety &amp; Security coverage that is included in the price of the vehicle. Total Fleet OnStar Safety &amp; Security service duration is 3 months and 45 months of OnStar Assurance.</p> <p>1 - Requires (UE1) OnStar. Requires one of the following Fleet or Government order types: FLS, FNR, FRC, FBC, FGO or FEF. Not available with P0J, P0K, P0L, R7Z, P1R, P1S or P1T. Not available with a ship-to of Guam, Puerto Rico or the Virgin Islands.</p>	A <sup>1</sup>	A <sup>1</sup>	A <sup>1</sup>	A <sup>1</sup>	A <sup>1</sup>	A <sup>1</sup>	A <sup>1</sup>	A <sup>1</sup>

S = Standard Equipment A = Available --(dashes) = Not Available D = ADI Available

■ = Included in Equipment Group □ = Included in Equipment Group but upgradeable

Codes listed in the shaded column titled Ref. Only RPO Code are for internal use only and should not be ordered.

Free Flow RPO Code	Ref. Only RPO Code	Description	1LT	2LT	3LT	LT1	1SS	2SS	ZL1
			Convertible	Convertible	Convertible	Convertible	Convertible	Convertible	Convertible
			1AG67	1AH67	1AH67	1AJ67	1AJ67	1AK67	1AL67
			1LT	2LT	3LT	1LZ	1SS	2SS	1SE
P0J		<b>OnStar Additional 21 months of OnStar Fleet Safety and Security.</b> Provides 21 months of Fleet Safety and Security service in addition to the 3 months of complimentary coverage that is included in the price of the vehicle. Total OnStar Fleet Safety and Security service duration is 24 months. 1 - Requires (UE1) OnStar. Requires one of the following Fleet or Government order types: FLS, FNR, FRC, FBC, FGO or FEF. Not available with P0K, P0L, R7Z, P1R, P1S, P1T or P1U. Not available with a ship-to of Guam, Puerto Rico or the Virgin Islands.	A <sup>1</sup>	A <sup>1</sup>	A <sup>1</sup>	A <sup>1</sup>	A <sup>1</sup>	A <sup>1</sup>	A <sup>1</sup>
P0K		<b>OnStar Additional 33 months of OnStar Fleet Safety and Security.</b> Provides 33 months of Fleet Safety and Security service in addition to the 3 months of complimentary coverage that is included in the price of the vehicle. Total OnStar Fleet Safety and Security service duration is 36 months. 1 - Requires (UE1) OnStar. Requires one of the following Fleet or Government order types: FLS, FNR, FRC, FBC, FGO or FEF. Not available with P0J, P0L, R7Z, P1R, P1S, P1T or P1U. Not available with a ship-to of Guam, Puerto Rico or the Virgin Islands.	A <sup>1</sup>	A <sup>1</sup>	A <sup>1</sup>	A <sup>1</sup>	A <sup>1</sup>	A <sup>1</sup>	A <sup>1</sup>
P0L		<b>OnStar Additional 45 months of OnStar Fleet Safety and Security.</b> Provides 45 months of Fleet Safety and Security service in addition to the 3 months of complimentary coverage that is included in the price of the vehicle. Total OnStar Fleet Safety and Security service duration is 48 months. 1 - Requires (UE1) OnStar. Requires one of the following Fleet or Government order types: FLS, FNR, FRC, FBC, FGO or FEF. Not available with P0J, P0K, R7Z, P1R, P1S, P1T or P1U. Not available with a ship-to of Guam, Puerto Rico or the Virgin Islands.	A <sup>1</sup>	A <sup>1</sup>	A <sup>1</sup>	A <sup>1</sup>	A <sup>1</sup>	A <sup>1</sup>	A <sup>1</sup>



Free Flow RPO Code	Ref. Only RPO Code	Description	1LT	2LT	3LT	LT1	1SS	2SS	ZL1
			Convertible	Convertible	Convertible	Convertible	Convertible	Convertible	Convertible
			1AG67	1AH67	1AH67	1AJ67	1AJ67	1AK67	1AL67
			1LT	2LT	3LT	1LZ	1SS	2SS	1SE
R7Z		<b>NEW! OnStar Additional 57 months of OnStar Fleet Safety and Security.</b> Provides 57 months of Fleet Safety and Security service in addition to the 3 months of complimentary coverage that is included in the price of the vehicle. Total OnStar Fleet Safety and Security service duration is 60 months. <b>1 - Requires (UE1) OnStar. Requires one of the following Fleet or Government order types: FLS, FNR, FRC, FBC, FGO or FEF. Not available with P0J, P0K, P0L, P1R, P1S, P1T or P1U. Not available with a ship-to of Guam, Puerto Rico or the Virgin Islands.</b>	A <sup>1</sup>	A <sup>1</sup>	A <sup>1</sup>	A <sup>1</sup>	A <sup>1</sup>	A <sup>1</sup>	A <sup>1</sup>
P0M		<b>OnStar Additional 21 months of OnStar Fleet Remote Access.</b> Provides 21 months of Fleet Remote Access service in addition to the 3 months of complimentary coverage that is included in the price of the vehicle. Total OnStar Fleet Remote Access service duration is 24 months. <b>1 - Requires (UE1) OnStar. Requires one of the following Fleet or Government order types: FLS, FNR, FRC, FBC, FGO or FEF. Not available with P0N or P0O. Not available with a ship-to of Guam, Puerto Rico or the Virgin Islands.</b>	A <sup>1</sup>	A <sup>1</sup>	A <sup>1</sup>	A <sup>1</sup>	A <sup>1</sup>	A <sup>1</sup>	A <sup>1</sup>
P0N		<b>OnStar Additional 33 months of OnStar Fleet Remote Access.</b> Provides 33 months of Fleet Remote Access service in addition to the 3 months of complimentary coverage that is included in the price of the vehicle. Total OnStar Fleet Remote Access service duration is 36 months. <b>1 - Requires (UE1) OnStar. Requires one of the following Fleet or Government order types: FLS, FNR, FRC, FBC, FGO or FEF. Not available with P0M or P0O. Not available with a ship-to of Guam, Puerto Rico or the Virgin Islands.</b>	A <sup>1</sup>	A <sup>1</sup>	A <sup>1</sup>	A <sup>1</sup>	A <sup>1</sup>	A <sup>1</sup>	A <sup>1</sup>
P0O		<b>OnStar Additional 45 months of OnStar Fleet Remote Access.</b> Provides 45 months of Fleet Remote Access service in addition to the 3 months of complimentary coverage that is included in the price of the vehicle. Total OnStar Fleet Remote Access service duration is 48 months. <b>1 - Requires (UE1) OnStar. Requires one of the following Fleet or Government order types: FLS, FNR, FRC, FBC, FGO or FEF. Not available with P0M or P0N. Not available with a ship-to of Guam, Puerto Rico or the Virgin Islands.</b>	A <sup>1</sup>	A <sup>1</sup>	A <sup>1</sup>	A <sup>1</sup>	A <sup>1</sup>	A <sup>1</sup>	A <sup>1</sup>

Free Flow RPO Code	Ref. Only RPO Code	Description	1LT	2LT	3LT	LT1	1SS	2SS	ZL1
			Convertible	Convertible	Convertible	Convertible	Convertible	Convertible	Convertible
			1AG67	1AH67	1AH67	1AJ67	1AJ67	1AK67	1AL67
			1LT	2LT	3LT	1LZ	1SS	2SS	1SE
P0V		<p><b>OnStar Vehicle Insights - 1 year of Service.</b> Includes 12 months of OnStar Vehicle Insights service. OnStar Vehicle Insights provides fleet managers and drivers the tools and data they need to help maximize fleet productivity and help maximize fleet's operational efficiencies. OnStar Vehicle Insights relays real-time vehicle data like vehicle location, driver performance information and more. Eligible customers must sign up for an account at <a href="http://www.onstarvehicleinsights.com">www.onstarvehicleinsights.com</a> in order to take advantage of this 12 months offer. Requires an active connected vehicle services plan. The OnStar Vehicle Insights service is included in the price of the vehicle. Total service duration is 12 months. Non-Transferrable. Non-Refundable.</p> <p><b>1 - Requires (UE1) OnStar. Requires one of the following Fleet or Government order types: FLS, FNR, FRC, FBC, FGO or FEF. Not available with P0J, P0K, P0L, P1R, P1S or P1T. Not available with a ship-to of Guam, Puerto Rico or the Virgin Islands.</b></p>	A <sup>1</sup>	A <sup>1</sup>	A <sup>1</sup>	A <sup>1</sup>	A <sup>1</sup>	A <sup>1</sup>	A <sup>1</sup>
P0W		<p><b>OnStar Vehicle Insights - 2 years of Service.</b> Includes 24 months of OnStar Vehicle Insights service. OnStar Vehicle Insights provides fleet managers and drivers the tools and data they need to help maximize fleet productivity and help maximize fleet's operational efficiencies. OnStar Vehicle Insights relays real-time vehicle data like vehicle location, driver performance information and more. Eligible customers must sign up for an account at <a href="http://www.onstarvehicleinsights.com">www.onstarvehicleinsights.com</a> in order to take advantage of this 24 months offer. Requires an active connected vehicle services plan. The OnStar Vehicle Insights service is included in the price of the vehicle. Total service duration is 24 months. Non-Transferrable. Non-Refundable.</p> <p><b>1 - Requires (UE1) OnStar. Requires one of the following Fleet or Government order types: FLS, FNR, FRC, FBC, FGO or FEF. Not available with P0V, P0X, P0Y or P0Z. Not available with a ship-to of Guam, Puerto Rico or the Virgin Islands.</b></p>	A <sup>1</sup>	A <sup>1</sup>	A <sup>1</sup>	A <sup>1</sup>	A <sup>1</sup>	A <sup>1</sup>	A <sup>1</sup>

Free Flow RPO Code	Ref. Only RPO Code	Description	1LT	2LT	3LT	LT1	1SS	2SS	ZL1
			Convertible	Convertible	Convertible	Convertible	Convertible	Convertible	Convertible
			1AG67	1AH67	1AH67	1AJ67	1AJ67	1AK67	1AL67
			1LT	2LT	3LT	1LZ	1SS	2SS	1SE
P0X		<p><b>OnStar Vehicle Insights - 3 years of Service.</b> Includes 36 months of OnStar Vehicle Insights service. OnStar Vehicle Insights provides fleet managers and drivers the tools and data they need to help maximize fleet productivity and help maximize fleet's operational efficiencies. OnStar Vehicle Insights relays real-time vehicle data like vehicle location, driver performance information and more. Eligible customers must sign up for an account at <a href="http://www.onstarvehicleinsights.com">www.onstarvehicleinsights.com</a> in order to take advantage of this 36 months offer. Requires an active connected vehicle services plan. The OnStar Vehicle Insights service is included in the price of the vehicle. Total service duration is 36 months. Non-Transferrable. Non-Refundable.</p> <p><b>1 - Requires (UE1) OnStar. Requires one of the following Fleet or Government order types: FLS, FNR, FRC, FBC, FGO or FEF. Not available with P0V, P0W, P0Y or P0Z. Not available with a ship-to of Guam, Puerto Rico or the Virgin Islands.</b></p>	A <sup>1</sup>	A <sup>1</sup>	A <sup>1</sup>	A <sup>1</sup>	A <sup>1</sup>	A <sup>1</sup>	A <sup>1</sup>
P0Y		<p><b>OnStar Vehicle Insights - 4 years of Service.</b> Includes 48 months of OnStar Vehicle Insights service. OnStar Vehicle Insights provides fleet managers and drivers the tools and data they need to help maximize fleet productivity and help maximize fleet's operational efficiencies. OnStar Vehicle Insights relays real-time vehicle data like vehicle location, driver performance information and more. Eligible customers must sign up for an account at <a href="http://www.onstarvehicleinsights.com">www.onstarvehicleinsights.com</a> in order to take advantage of this 48 months offer. Requires an active connected vehicle services plan. The OnStar Vehicle Insights service is included in the price of the vehicle. Total service duration is 48 months. Non-Transferrable. Non-Refundable.</p> <p><b>1 - Requires (UE1) OnStar. Requires one of the following Fleet or Government order types: FLS, FNR, FRC, FBC, FGO or FEF. Not available with P0V, P0W, P0X or P0Z. Not available with a ship-to of Guam, Puerto Rico or the Virgin Islands.</b></p>	A <sup>1</sup>	A <sup>1</sup>	A <sup>1</sup>	A <sup>1</sup>	A <sup>1</sup>	A <sup>1</sup>	A <sup>1</sup>

Free Flow RPO Code	Ref. Only RPO Code	Description	1LT	2LT	3LT	LT1	1SS	2SS	ZL1
			Convertible	Convertible	Convertible	Convertible	Convertible	Convertible	Convertible
			1AG67	1AH67	1AH67	1AJ67	1AJ67	1AK67	1AL67
			1LT	2LT	3LT	1LZ	1SS	2SS	1SE
P0Z		<p><b>OnStar Vehicle Insights - 5 years of Service.</b> Includes 60 months of OnStar Vehicle Insights service. OnStar Vehicle Insights provides fleet managers and drivers the tools and data they need to help maximize fleet productivity and help maximize fleet's operational efficiencies. OnStar Vehicle Insights relays real-time vehicle data like vehicle location, driver performance information and more. Eligible customers must sign up for an account at <a href="http://www.onstarvehicleinsights.com">www.onstarvehicleinsights.com</a> in order to take advantage of this 60 months offer. Requires an active connected vehicle services plan. The OnStar Vehicle Insights service is included in the price of the vehicle. Total service duration is 60 months. Non-Transferrable. Non-Refundable.</p> <p><b>1 - Requires (UE1) OnStar. Requires one of the following Fleet or Government order types: FLS, FNR, FRC, FBC, FGO or FEF. Not available on P0V, P0W, P0X or P0Y. Not available with a ship-to of Guam, Puerto Rico or the Virgin Islands.</b></p>	A <sup>1</sup>	A <sup>1</sup>	A <sup>1</sup>	A <sup>1</sup>	A <sup>1</sup>	A <sup>1</sup>	A <sup>1</sup>
P1R		<p><b>OnStar Additional 9 months of OnStar Assurance for Tier3 Fleets.</b> Provides 9 months of OnStar Assurance service in addition to the 3 months of complimentary Safety &amp; Security coverage that is included in the price of the vehicle. Total Fleet OnStar Safety &amp; Security service duration is 3 months and 9 months of OnStar Assurance.</p> <p><b>1 - Requires (UE1) OnStar. Requires one of the following Fleet or Government order types: FLS, FNR, FRC, FBC, FGO or FEF. Not available with P0J, P0K, P0L, R7Z, P1S, P1T or P1U. Not available with a ship-to of Guam, Puerto Rico or the Virgin Islands.</b></p>	A <sup>1</sup>	A <sup>1</sup>	A <sup>1</sup>	A <sup>1</sup>	A <sup>1</sup>	A <sup>1</sup>	A <sup>1</sup>
P1S		<p><b>OnStar Additional 21 months of OnStar Assurance for Tier3 Fleets.</b> Provides 21 months of OnStar Assurance service in addition to the 3 months of complimentary Safety &amp; Security coverage that is included in the price of the vehicle. Total Fleet OnStar Safety &amp; Security service duration is 3 months and 21 months of OnStar Assurance.</p> <p><b>1 - Requires (UE1) OnStar. Requires one of the following Fleet or Government order types: FLS, FNR, FRC, FBC, FGO or FEF. Not available with P0J, P0K, P0L, R7Z, P1R, P1T or P1U. Not available with a ship-to of Guam, Puerto Rico or the Virgin Islands.</b></p>	A <sup>1</sup>	A <sup>1</sup>	A <sup>1</sup>	A <sup>1</sup>	A <sup>1</sup>	A <sup>1</sup>	A <sup>1</sup>

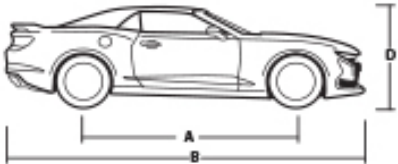
Free Flow RPO Code	Ref. Only RPO Code	Description	1LT	2LT	3LT	LT1	1SS	2SS	ZL1
			Convertible	Convertible	Convertible	Convertible	Convertible	Convertible	Convertible
			1AG67	1AH67	1AH67	1AJ67	1AJ67	1AK67	1AL67
			1LT	2LT	3LT	1LZ	1SS	2SS	1SE
P1T		<p><b>OnStar Additional 33 months of OnStar Assurance for Tier3 Fleets.</b> Provides 33 months of OnStar Assurance service in addition to the 3 months of complimentary Safety &amp; Security coverage that is included in the price of the vehicle. Total Fleet OnStar Safety &amp; Security service duration is 3 months and 33 months of OnStar Assurance.</p> <p>1 - Requires (UE1) OnStar. Requires one of the following Fleet or Government order types: FLS, FNR, FRC, FBC, FGO or FEF. Not available with P0J, P0K, P0L, R7Z, P1R, P1S or P1U. Not available with a ship-to of Guam, Puerto Rico or the Virgin Islands.</p>	A <sup>1</sup>	A <sup>1</sup>	A <sup>1</sup>	A <sup>1</sup>	A <sup>1</sup>	A <sup>1</sup>	A <sup>1</sup>
P1U		<p><b>OnStar Additional 45 months of OnStar Assurance for Tier3 Fleets.</b> Provides 45 months of OnStar Assurance service in addition to the 3 months of complimentary Safety &amp; Security coverage that is included in the price of the vehicle. Total Fleet OnStar Safety &amp; Security service duration is 3 months and 45 months of OnStar Assurance.</p> <p>1 - Requires (UE1) OnStar. Requires one of the following Fleet or Government order types: FLS, FNR, FRC, FBC, FGO or FEF. Not available with P0J, P0K, P0L, R7Z, P1R, P1S or P1T. Not available with a ship-to of Guam, Puerto Rico or the Virgin Islands.</p>	A <sup>1</sup>	A <sup>1</sup>	A <sup>1</sup>	A <sup>1</sup>	A <sup>1</sup>	A <sup>1</sup>	A <sup>1</sup>

All dimensions in inches (mm) unless otherwise stated.

Specifications		1AG3	1AG3	1AH3	1AH3	1AJ37	1AJ37	1AK3	1AL3	
		7 1LS Coupe	7 1LT Coupe	7 2LT Coupe	7 3LT Coupe	LT1 Coupe	1SS Coupe	7 2SS Coupe	7 ZL1 Coupe	
	A	Wheelbase	110.7 (2812)	110.7 (2812)	110.7 (2812)	110.7 (2812)	110.7 (2812)	110.7 (2812)	110.7 (2812)	
	B	Overall length	188.3 (4783)	188.3 (4783)	188.3 (4783)	188.3 (4783)	188.3 (4783)	188.3 (4783)	190.2 (4831)	
		Overall width	74.7 (1897)	74.7 (1897)	74.7 (1897)	74.7 (1897)	74.7 (1897)	74.7 (1897)	75 (1905)	
	D	Overall height	53.1 (1349)	53.1 (1349)	53.1 (1349)	53.1 (1349)	53.1 (1349)	53.1 (1349)	52.9 (1344)	
		Front track width	62.5 (1588)	62.5 (1588)	62.5 (1588)	62.5 (1588)	62.5 (1588)	63 (1600)	63 (1600)	63.4 (1610)
		Rear track width	63.7 (1618)	63.7 (1618)	63.7 (1618)	63.7 (1618)	63.7 (1618)	62.9 (1598)	62.9 (1598)	62 (1575)
		Head room, front, maximum	38.5 (978)	38.5 (978)	38.5 (978)	38.5 (978)	38.5 (978)	38.5 (978)	38.5 (978)	38.5 (978)
		Leg room, front, maximum	43.9 (1115)	43.9 (1115)	43.9 (1115)	43.9 (1115)	43.9 (1115)	43.9 (1115)	43.9 (1115)	43.9 (1115)

Published dimensions indicated are without optional equipment or accessories. Additional accessories or equipment ordered at the customer's request can result in a minor change in these dimensions.

All dimensions in inches (mm) unless otherwise stated.

Specifications		1AG67	1AH67	1AH67	1AJ67	1AJ67	1AK67	1AL67	
		1LT Con- verti- ble	2LT Con- verti- ble	3LT Con- verti- ble	LT1 Con- verti- ble	1SS Con- verti- ble	2SS Con- verti- ble	ZL1 Con- verti- ble	
	A	<b>Wheelbase</b>	110.7 (2812)	110.7 (2812)	110.7 (2812)	110.7 (2812)	110.7 (2812)	110.7 (2812)	
	B	<b>Overall length</b>	188.3 (4783)	188.3 (4783)	188.3 (4783)	188.3 (4783)	188.3 (4783)	190.2 (4831)	
		<b>Overall width</b>	74.7 (1897)	74.7 (1897)	74.7 (1897)	74.7 (1897)	74.7 (1897)	75 (1905)	
	D	<b>Overall height</b>	52.9 (1344)	52.9 (1344)	52.9 (1344)	52.9 (1344)	52.9 (1344)	52.6 (1336)	
		<b>Front track width</b>	62.5 (1588)	62.5 (1588)	62.5 (1588)	62.5 (1588)	63 (1600)	63 (1600)	63.4 (1610)
		<b>Rear track width</b>	63.7 (1618)	63.7 (1618)	63.7 (1618)	63.7 (1618)	62.9 (1598)	62.9 (1598)	62 (1575)
		<b>Head room, front, maximum</b>	38.4 (975)	38.4 (975)	38.4 (975)	38.4 (975)	38.4 (975)	38.4 (975)	38.4 (975)
		<b>Leg room, front, maximum</b>	43.9 (1115)	43.9 (1115)	43.9 (1115)	43.9 (1115)	43.9 (1115)	43.9 (1115)	43.9 (1115)

Published dimensions indicated are without optional equipment or accessories. Additional accessories or equipment ordered at the customer's request can result in a minor change in these dimensions.

	1AG37 1LS Coupe	1AG37 1LT Coupe	1AH37 2LT Coupe	1AH37 3LT Coupe	1AJ37 LT1 Coupe	1AJ37 1SS Coupe	1AK37 2SS Coupe	1AL37 ZL1 Coupe
<b>Capacities</b>								
Curb weight, manual with LTG 2.0L Turbo, lbs. (kg)	3351 (1520)	3354 (1521)	3374 (1530)	3374 (1530)	--	--	--	--
Curb weight, auto with LTG 2.0L Turbo, lbs. (kg)	3332 (1511)	3334 (1512)	3354 (1521)	3354 (1521)	--	--	--	--
Curb weight, manual with LGX 3.6L, lbs. (kg)	--	3411 (1547)	3431 (1556)	3431 (1556)	--	--	--	--
Curb weight, auto with LGX 3.6L, lbs. (kg)	--	3418 (1550)	3438 (1559)	3438 (1559)	--	--	--	--
Curb weight, with 1LE, LTG 2.0L Turbo, lbs. (kg)	--	3393 (1539)	3413 (1548)	3413 (1548)	--	--	--	--
Curb weight, with 1LE, LGX 3.6L, lbs. (kg)	--	3468 (1573)	3488 (1582)	3488 (1582)	--	--	--	--
Curb weight, manual, lbs. (kg)	--	--	--	--	3619 (1642)	3685 (1672)	3696 (1677)	3907 (1772)
Curb weight, automatic, lbs. (kg)	--	--	--	--	3681 (1670)	3747 (1700)	3757 (1704)	3938 (1786)
Curb weight, with 1LE, manual, lbs. (kg)	--	--	--	--	--	3754 (1703)	3762 (1706)	3853 (1748)
Curb weight, with 1LE, auto, lbs. (kg)	--	--	--	--	--	--	--	3883 (1761)
Trunk volume, cu. ft. (liters)	9.1 (257.7)	9.1 (257.7)	9.1 (257.7)	9.1 (257.7)	9.1 (257.7)	9.1 (257.7)	9.1 (257.7)	9.1 (257.7)
Seating capacity (front/rear)	2/2	2/2	2/2	2/2	2/2	2/2	2/2	2/2



	1AG67 1LT Convertible	1AH67 2LT Convertible	1AH67 3LT Convertible	1AJ67 LT1 Convertible	1AJ67 1SS Convertible	1AK67 2SS Convertible	1AL67 ZL1 Convertible
<b>Capacities</b>							
Curb weight, manual with LTG 2.0L Turbo, lbs. (kg)	3627 (1645)	3638 (1650)	3638 (1650)	--	--	--	--
Curb weight, auto with LTG 2.0L Turbo, lbs. (kg)	3607 (1636)	3618 (1641)	3618 (1641)	--	--	--	--
Curb weight, manual with LGX 3.6L, lbs. (kg)	3684 (1671)	3695 (1676)	3695 (1676)	--	--	--	--
Curb weight, auto with LGX 3.6L, lbs. (kg)	3691 (1674)	3702 (1679)	3702 (1679)	--	--	--	--
Curb weight, manual, lbs. (kg)	--	--	--	3865 (1753)	3932 (1784)	3937 (1786)	4120 (1869)
Curb weight, automatic, lbs. (kg)	--	--	--	3927 (1781)	3993 (1811)	3999 (1814)	4151 (1883)
Trunk volume, cu. ft. (liters)	7.3 (206.7)	7.3 (206.7)	7.3 (206.7)	7.3 (206.7)	7.3 (206.7)	7.3 (206.7)	7.3 (206.7)
Seating capacity (front/rear)	2/2	2/2	2/2	2/2	2/2	2/2	2/2

	<p>SGE  <b>Wheels</b>, 18" (45.7 cm) 5-split spoke Silver-painted aluminum</p>
	<p>56R  <b>Wheels</b>, 20" x 8.5" (50.8 cm x 21.6 cm) front and 20" x 9.5" (50.8 cm x 24.1 cm) rear 5-split spoke premium Gray-painted machined-face aluminum</p>
	<p>56S  <b>Wheels</b>, 20" x 8.5" (50.8 cm x 21.6 cm) front and 20" x 9.5" (50.8 cm x 24.1 cm) rear bright 5-spoke Silver-painted aluminum</p>
	<p>56W  <b>Wheels</b>, 20" x 8.5" (50.8 cm x 21.6 cm) front and 20" x 9.5" (50.8 cm x 24.1 cm) rear 5-split spoke bright Silver-painted aluminum</p>
	<p>RQ9  <b>Wheels</b>, 20" (50.8 cm) 5-split spoke premium Gray-painted, machined-face aluminum</p>

	<p>RTJ  <b>Wheels</b>, 20" (50.8 cm) 5-spilt spoke bright Silver-painted aluminum</p>
	<p>REG  <b>Wheels</b>, 18" (45.7 cm) Silver-painted aluminum</p>
	<p>SHL  <b>LPO, 20" (50.8 cm) 5-spoke gloss Black wheels with Red outline stripe.</b> When ordering SHL with other optional wheels, 2 complete sets of wheels are being ordered. Please ensure customer desires both sets of wheels before proceeding to place order with LPO wheels SHL.</p>
	<p>56Z  <b>Wheels</b>, 20" x 8.5" (50.8 cm x 21.6 cm) front and 20" x 9.5" (50.8 cm x 24.1 cm) rear low gloss Black-painted forged aluminum</p>
	<p>RSK  <b>Wheels</b>, 20" x 10" (50.8 cm x 25.4 cm) front and 20" x 11" (50.8 cm x 27.9 cm) rear Satin Graphite forged aluminum</p>

	<p>RTQ  <b>Wheels</b>, 20" x 10" (50.8 cm x 25.4 cm) front and 20" x 11" (50.8 cm x 27.9 cm) rear Dark Graphite premium paint, forged aluminum</p>
	<p>PKJ  <b>Wheels</b>, 19" x 11" (48.3 cm x 27.9 cm) front and 19" x 12" (48.3 cm x 30.48 cm) rear low gloss Black-painted forged aluminum</p>
	<p>SRI  <b>Wheels</b>, 20" (50.8 cm) Black-painted aluminum with Red accents</p>
	<p>58E  <b>Wheels</b>, 20" x 8.5" (50.8 cm x 21.6 cm) front and 20" x 9.5" (50.8 cm x 24.1 cm) rear Black-painted aluminum with Red accents</p>
	<p>SKW  <b>LPO, 20" (50.8 cm) 5-split spoke machined-face wheels.</b> When ordering SKW with other optional wheels, 2 complete sets of wheels are being ordered. Please ensure customer desires both sets of wheels before proceeding to place order with LPO wheels SKW.</p>

	<p>5JX  <b>LPO, LT 20" (50.8 cm) 5-split spoke Satin Black wheels.</b> When ordering 5JX with other optional wheels, 2 complete sets of wheels are being ordered. Please ensure customer desires both sets of wheels before proceeding to place order with LPO wheels 5JX.</p>
	<p>57S  <b>LPO, SS 20" (50.8 cm) 5-split spoke Satin Black wheels.</b> When ordering 57S with other optional wheels, 2 complete sets of wheels are being ordered. Please ensure customer desires both sets of wheels before proceeding to place order with LPO wheels 57S.</p>
	<p>RTH  <b>Wheels, 20" (50.8 cm) 5-spoke Carbon Flash painted aluminum</b></p>
	<p>56V  <b>Wheels, 20" x 8.5" (50.8 cm x 21.6 cm) front and 20" x 9.5" (50.8 cm x 24.1 cm) rear 5-spoke Carbon Flash painted aluminum</b></p>
	<p>56H  <b>LPO, SS 20" (50.8 cm) 5-spoke gloss Black wheels with Red stripe.</b> When ordering 56H with other optional wheels, 2 complete sets of wheels are being ordered. Please ensure customer desires both sets of wheels before proceeding to place order with LPO wheels 56H. Includes (VWD) Gloss Black wheel center caps with Silver bowtie, LPO.</p>

	<p>56M  <b>LPO, SS 20" (50.8 cm) 5-split spoke machined-face wheels.</b>                  When ordering 56M with other optional wheels, 2 complete sets of wheels are being ordered. Please ensure customer desires both sets of wheels before proceeding to place order with LPO wheels 56M.</p>
	<p>57W  <b>Wheels, 20" x 8.5" (50.8 cm x 21.6 cm) front and 20" x 9.5" (50.8 cm x 24.1 cm) rear 5-split spoke polished forged with Black star center cap</b></p>
	<p>RQA  <b>Wheels, 20" (50.8 cm) Silver-painted aluminum</b></p>
	<p>WR1  <b>Wheels, 20" (50.8 cm) 5-split spoke polished forged with Black star center cap</b></p>
	<p>5K9  <b>Wheels, 20" (50.8 cm) Caliente</b></p>



57V

**Wheels**, 20" x 8.5" (50.8 cm x 21.6 cm) front and 20" x 9.5" (50.8 cm x 24.1 cm) rear Caliente

Option Code	Description
2F5	Knee pads, Red
3DL	Interior trim, carbon fiber instrument panel molding
3F9	Seat belt color, Red
56H	LPO, SS 20" (50.8 cm) 5-spoke gloss Black wheels with Red stripe
56M	LPO, SS 20" (50.8 cm) 5-split spoke machined-face wheels
56R	Wheels, 20" x 8.5" (50.8 cm x 21.6 cm) front and 20" x 9.5" (50.8 cm x 24.1 cm) rear 5-split spoke premium Gray-painted machined-face aluminum
56S	Wheels, 20" x 8.5" (50.8 cm x 21.6 cm) front and 20" x 9.5" (50.8 cm x 24.1 cm) rear bright 5-spoke Silver-painted aluminum
56V	Wheels, 20" x 8.5" (50.8 cm x 21.6 cm) front and 20" x 9.5" (50.8 cm x 24.1 cm) rear 5-spoke Carbon Flash painted aluminum
56W	Wheels, 20" x 8.5" (50.8 cm x 21.6 cm) front and 20" x 9.5" (50.8 cm x 24.1 cm) rear 5-split spoke bright Silver-painted aluminum
56Z	Wheels, 20" x 8.5" (50.8 cm x 21.6 cm) front and 20" x 9.5" (50.8 cm x 24.1 cm) rear low gloss Black-painted forged aluminum
57S	LPO, SS 20" (50.8 cm) 5-split spoke Satin Black wheels
57V	Wheels, 20" x 8.5" (50.8 cm x 21.6 cm) front and 20" x 9.5" (50.8 cm x 24.1 cm) rear Caliente
57W	Wheels, 20" x 8.5" (50.8 cm x 21.6 cm) front and 20" x 9.5" (50.8 cm x 24.1 cm) rear 5-split spoke polished forged with Black star center cap
58E	Wheels, 20" x 8.5" (50.8 cm x 21.6 cm) front and 20" x 9.5" (50.8 cm x 24.1 cm) rear Black-painted aluminum with Red accents
5JX	LPO, LT 20" (50.8 cm) 5-split spoke Satin Black wheels
5K9	Wheels, 20" (50.8 cm) Caliente
5KP	LPO, Illuminated sill plates
5LQ	LPO, 6 Piston Front Brake Kit
5V5	LPO, Body-color high-wing spoiler
5V6	LPO, Black Interior Appearance Package
5VF	LPO, Carbon fiber exhaust tip
5VM	LPO, Ground Effects Package
5WF	LPO, Battery Protection Package
5YN	LPO, Carbon Fiber-look shift knob (auto) or Carbon Fiber-look shift knob medallion (manual)
5ZB	LPO, Camaro logo wheel center caps
5ZD	LPO, Wheel center caps
5ZU	LPO, Body-color blade spoiler
5ZV	LPO, Satin Black blade spoiler
5ZW	LPO, Satin Black wing spoiler
5ZZ	LPO, Carbon Flash Metallic blade spoiler
62O	LPO, Clear CHMSL (Center High Mount Stop Lamp)
6ZQ	LPO, ZL1 1LE SPEC visible carbon fiber spoiler
A1X	1LE Track Performance Package
A1Y	SS 1LE Track Performance Package
A1Z	ZL1 1LE Extreme Track Performance Package
A45	Memory Package
A50	Seats, front Sport bucket
A62	Seat, rear fixed
A9B	Satin Black Appearance Package
AAQ	Seat adjuster, front passenger
AJ9	Airbags, dual-stage frontal, knee, head and thorax side-impact, driver and front passenger
AKQ	Seat adjuster, front passenger, 6-way power
AM7	Seat, rear, folding
AQJ	Seats, front bucket, RECARO performance
ATH	Keyless Open and Start
AV3	Seat adjuster, driver, 8-way power



Option Code	Description
AYG	Airbags, dual-stage frontal, thorax side-impact and knee, driver and front passenger, and head curtain side-impact
B34	Floor mats, carpeted front
B7G	Sill plates, illuminated
B9M	Tail lamps, dark tint
BO3	White Pearl Rally Stripes
BO4	Black Metallic Rally Stripes
BRD	Ceramic White Interior Package
BRJ	Adrenaline Red Interior Package
BTV	Remote vehicle starter system
C2U	Silver Rally Stripes
C3O	Black Rally Stripes
C68	Air conditioning, single-zone automatic climate control
C70	Lighting, interior spectrum
CF5	Sunroof, power
CFW	Hood insert, visible Carbon Fiber weave
CG3	Emblem, Camaro fender badge
CG6	Emblem, Black Camaro fender badge with Red outline
CJ2	Air conditioning, dual-zone automatic climate control
CM8	Convertible top, power-folding
D31	Mirror, inside rearview manual day/night
D52	Spoiler, rear
D5S	Spoiler, rear, blade, Satin Black
D5Z	Spoiler, rear, stanchion
D80	Spoiler, decklid-mounted lip spoiler
D88	1LE Hash Mark Decal
DD1	Mirrors, outside heated power-adjustable and driver-side auto-dimming, body-color
DG7	Mirrors, outside power-adjustable, body-color
DRZ	Rear Camera Mirror
DSM	Hood wrap, Satin Black
DUU	Black Center Stripe
DUV	Silver Center Stripe
DVV	Black Metallic Center Stripe
DW7	White Pearl Center Stripe
DW8	Black Metallic Center Stripe
F55	Magnetic Ride Control
FE2	Suspension, Sport
FE3	Suspension, Performance
FE4	Suspension, Performance
FE9	Emissions, Federal requirements
FEA	Suspension, Performance
FTF	Front splitter
FTJ	Front splitter
G80	Differential, limited slip
G96	Differential, electronic limited-slip
GT4	Rear axle, 3.73 ratio
GW6	Rear axle, 3.27 ratio
HRD	Rear axle, 2.85 ratio
HRE	Rear axle, 2.77 ratio
IOR	Audio system, Chevrolet Infotainment 3 system, 7" diagonal color touchscreen
IOS	Audio system, Chevrolet Infotainment 3 Plus system, 8" diagonal HD color touchscreen

Option Code	Description
IOT	Audio system, Chevrolet Infotainment 3 Premium system with connected Navigation, 8" diagonal HD color touchscreen
J55	Brakes, Brembo 4-piston front, performance, 4-wheel antilock, 4-wheel disc
J6F	Calipers, Red
J6G	Brakes, Brembo 4-piston front and rear, performance, 4-wheel antilock, 4-wheel disc
J6H	Brakes, Brembo 6-piston front and 4-piston rear, performance
J6L	Calipers, Orange
J6M	Brakes, Brembo Red, 6-piston front monobloc calipers, 4-piston rear calipers, 2-piece rotors, performance
JF5	Pedals, sport alloy
JL9	Brakes, 4-wheel antilock, 4-wheel disc
K05	Engine block heater
K4C	Wireless Charging
KA1	Seats, heated driver and front passenger
KB7	Paddle-shift manual controls
KC4	Cooling, external engine oil cooler
KD1	Cooler, transmission oil
KNR	Cooler, rear differential
KQV	Seats, ventilated driver and front passenger
KS9	Shift knob, sueded microfiber-wrapped
KTI	Tire inflation kit
LGX	Engine, 3.6L V6, DI, VVT
LT1	Engine, 6.2L (376 ci) V8 DI
LT4	Engine, 6.2L supercharged V8
LTG	Engine, 2.0L Turbo, 4-cylinder, SIDI, VVT
MN6	Transmission, 6-speed manual
MX0	Transmission, 8-speed automatic
MX0	Transmission, 10-speed automatic
N10	Exhaust, dual-outlet stainless-steel
N26	Steering wheel, 3-spoke, sueded microfiber-wrapped, flat-bottom
NB8	Emissions override, California
NB9	Emissions override, state-specific
NC7	Emissions override, Federal
NE1	Emissions, Connecticut, Delaware, Maine, Maryland, Massachusetts, New Jersey, New York, Oregon, Pennsylvania, Rhode Island, Vermont and Washington state requirements
NP5	Steering wheel, leather-wrapped
NPP	Exhaust, dual-mode
NV9	Steering, power
P0J	OnStar Additional 21 months of OnStar Fleet Safety and Security
P0K	OnStar Additional 33 months of OnStar Fleet Safety and Security
P0L	OnStar Additional 45 months of OnStar Fleet Safety and Security
P0M	OnStar Additional 21 months of OnStar Fleet Remote Access
P0N	OnStar Additional 33 months of OnStar Fleet Remote Access
P0O	OnStar Additional 45 months of OnStar Fleet Remote Access
P0V	OnStar Vehicle Insights - 1 year of Service.
P0W	OnStar Vehicle Insights - 2 years of Service.
P0X	OnStar Vehicle Insights - 3 years of Service.
P0Y	OnStar Vehicle Insights - 4 years of Service.
P0Z	OnStar Vehicle Insights - 5 years of Service.
P1R	OnStar Additional 9 months of OnStar Assurance for Tier3 Fleets
P1S	OnStar Additional 21 months of OnStar Assurance for Tier3 Fleets
P1T	OnStar Additional 33 months of OnStar Assurance for Tier3 Fleets
P1U	OnStar Additional 45 months of OnStar Assurance for Tier3 Fleets

Option Code	Description
P3H	Bowties, Black, front and rear
PCJ	LPO, Dark Tint Rear Lighting Package
PCK	LPO, Black Accent Exterior Package
PCL	LPO, Black Wheel Lug Nuts and Locks Package
PCN	LPO, Winter/Summer Floor Mats Package
PCR	LPO, Satin Black Front Splitter/Side Rockers Package
PCU	LPO, 4-Corner Brembo brake upgrade system in Red
PCX	LPO, Camaro Logo Package
PCY	LPO, Red Accent Exterior Package
PDL	Wild Cherry Design Package 1
PDN	Wild Cherry Design Package 2
PDX	LPO, ZL1 Protection Package
PDY	LPO, Body-Color Spoiler with Wicker Package
PKJ	Wheels, 19" x 11" (48.3 cm x 27.9 cm) front and 19" x 12" (48.3 cm x 30.48 cm) rear low gloss Black-painted forged aluminum
PPW	Wireless Apple CarPlay/Wireless Android Auto
R0F	Tires, 245/40ZR20 front and 275/35ZR20 rear, blackwall, summer-only
R0G	Tires, 285/30R20 front and 305/30R20 rear, blackwall, summer-only
R0H	Tires, 245/50R18, blackwall, all-season
R29	Tires, 245/40R20, blackwall, all-season
R6O	Tires, 305/30R19 front and 325/30R19 rear, blackwall, summer-only
R7Z	OnStar Additional 57 months of OnStar Fleet Safety and Security
R88	LPO, Front illuminated and rear non-illuminated bowtie emblems in Black
REG	Wheels, 18" (45.7 cm) Silver-painted aluminum
RIK	LPO, Black front and rear bowtie emblems
RIN	LPO, Camaro logo fender badge
RMH	LPO, Front splitter, Carbon Flash Metallic
RNX	LPO, Outdoor vehicle cover
RO1	LPO, Black lower grille with Silver-painted inserts
RO2	LPO, Black lower grille with Gloss Black inserts
RQ9	Wheels, 20" (50.8 cm) 5-split spoke premium Gray-painted, machined-face aluminum
RQA	Wheels, 20" (50.8 cm) Silver-painted aluminum
RSK	Wheels, 20" x 10" (50.8 cm x 25.4 cm) front and 20" x 11" (50.8 cm x 27.9 cm) rear Satin Graphite forged aluminum
RTH	Wheels, 20" (50.8 cm) 5-spoke Carbon Flash painted aluminum
RTJ	Wheels, 20" (50.8 cm) 5-spilt spoke bright Silver-painted aluminum
RTQ	Wheels, 20" x 10" (50.8 cm x 25.4 cm) front and 20" x 11" (50.8 cm x 27.9 cm) rear Dark Graphite premium paint, forged aluminum
RVK	LPO, Performance air intake
RWH	LPO, Indoor vehicle cover
RWH	LPO, Indoor vehicle cover
RWJ	LPO, Outdoor vehicle cover
RX0	LPO, 4 Piston Brembo rear calipers in Red
RXH	LPO, Silver RS wheel center caps
RXJ	LPO, Silver SS wheel center caps
RY2	LPO, Black Metallic Hash Mark Stripes
RZ3	LPO, Front splitter
RZB	LPO, Black lower grille with Red Hot inserts
S0O	LPO, Illuminated footwells
S0U	LPO, Black sueded knee pads
S0V	LPO, White knee pads
SA7	LPO, Suede shift knob and boot kit
SB2	LPO, Carbon Flash Metallic wing spoiler

Option Code	Description
SB3	LPO, ZL1 SPEC rear spoiler, body-color
SB7	LPO, Red Spider Stripes
SB9	LPO, Black Spider Stripes
SC1	LPO, Sway bar suspension upgrade system
SCG	LPO, 6.2L Strut tower brace in Black
SCJ	LPO, Suspension Handling Package, 1LE Track Pack - V8
SCY	LPO, Dark finish tail lamps
SF8	LPO, Silver Body-Side Spear Stripes
SF9	LPO, Blue Hash Mark Stripes
SFA	LPO, Red Stinger Stripe
SFC	LPO, White Pearl Hash Mark Stripes
SFE	LPO, Wheel locks
SFZ	LPO, Camaro fender badge, Black
SG3	LPO, Lowering suspension upgrade system
SGE	Wheels, 18" (45.7 cm) 5-split spoke Silver-painted aluminum
SH1	LPO, Embroidered center console lid with Camaro badge
SH2	LPO, Embroidered center console lid
SHL	LPO, 20" (50.8 cm) 5-spoke gloss Black wheels with Red outline stripe
SHQ	LPO, Silver Hash Mark Stripes
SHS	LPO, Satin Black Hood Stripe with Silver Ice Metallic Hash Mark
SHU	LPO, Satin Black Hood Stripe with Red Hot Hash Mark
SIA	LPO, Wicker bill
SKW	LPO, 20" (50.8 cm) 5-split spoke machined-face wheels
SL1	LPO, Indoor vehicle cover
SL2	LPO, Front fascia extension, Satin Black, second generation
SLN	LPO, Strut tower brace
SNB	LPO, Silver Spider Stripes
SNC	LPO, White Pearl Spider Stripes
SNE	LPO, Silver Stinger Stripe
SNG	LPO, Red Hash Mark Stripes
SNH	LPO, White Pearl Body-Side Spear Stripes
SNJ	LPO, Black Metallic Stinger Stripe
SNM	LPO, White Pearl Stinger Stripe
SNP	LPO, Red Body-Side Spear Stripes
SNQ	LPO, Gray Body-Side Spear Stripes
SNS	LPO, Blue Body-Side Spear Stripes
SPY	LPO, Black lug nuts
SPZ	LPO, Black wheel locks
SRI	Wheels, 20" (50.8 cm) Black-painted aluminum with Red accents
STI	LPO, Satin Black rocker moldings
T42	Spoiler, rear, visible weave carbon fiber
TDM	Teen Driver
U2K	SiriusXM Radio
U77	Antenna, integral rear window
UB3	Antenna, AM/FM
UD7	Rear Park Assist
UDD	Driver Information Center, color display
UE1	OnStar and Chevrolet connected services capable
UEU	Forward Collision Alert
UFG	Rear Cross Traffic Alert
UHS	Driver Information Center
UKC	Lane Change Alert

Option Code	Description
UMN	Speedometer, miles/kilometers
UPG	Bluetooth for phone
UQ3	Audio system feature, 6-speaker system
UQA	Audio system feature, Bose premium 7-speaker system
UQA	Audio system feature, Bose premium 9-speaker system
UQT	Performance data and video recorder
UV6	Head-Up Display
UVB	HD Rear Vision Camera
UVD	Steering wheel, heated
V03	Cooling system, extra capacity
V18	Cooler, engine coolant
VAV	LPO, All-weather floor mats
VDN	LPO, Indoor vehicle cover
VEB	LPO, Sport pedals kit
VGS	LPO, Outdoor vehicle cover, Gray, ZL1 logo
VK3	License plate bracket, front
VLI	LPO, All-weather cargo mat
VLN	LPO, Windscreen
VPO	LPO, Gray Hash Mark Stripes
VPW	LPO, Black Metallic Body-Side Spear Stripes
VQG	LPO, Weather Protection Package
VQG	LPO, Weather Protection Package
VQL	LPO, Fuel filler door in Black with visible carbon fiber insert
VRU	LPO, Outdoor vehicle cover, Gray
VRV	LPO, Body-color painted splash guards
VTA	LPO, Black exhaust tip
VTD	LPO, Ground effects, Carbon Flash Metallic
VTF	LPO, Embroidered center console lid
VTG	LPO, White Interior Trim Kit
VTU	LPO, Fuel filler door in Black with Gloss Black insert
VUP	LPO, Redline Edition graphics
VV4	4G LTE Wi-Fi Hotspot capable
VW9	LPO, Black SS wheel center caps
VWD	LPO, Gloss Black wheel center caps with Silver bowtie
VY7	Shift knob, leather-wrapped
VYW	LPO, Floor mats, premium carpeted
W0D	LPO, Fuel filler door in Black with Red Hot insert
W0E	LPO, Fuel filler door in Black with Silver Ice Metallic insert
W1V	LPO, Floor mats, premium carpeted
W2D	LPO, Cargo net
WBL	Redline Edition
WGK	LPO, Red Interior Trim Kit
WGL	LPO, Kalahari knee pads
WGT	LPO, Black Interior Trim Kit
WHA	LPO, Red knee pads
WR1	Wheels, 20" (50.8 cm) 5-split spoke polished forged with Black star center cap
WRS	RS Package
WRS	RS Package
XLC	Launch control, custom
Y3W	Technology Package
Y4Q	Heavy-Duty Cooling and Brake Package
YF5	Emissions, California state requirements

## Updates for Camaro

### Week of 7/27/2020

Effective 7/27/2020, the following changes will be made to the Vehicle Order Guide:

- Coupe Interior section-Deleted (DD8) Mirror, inside rearview auto-dimming.
- Coupe Exterior section-(PDL) Wild Cherry Design Package 1, updated extended description to now read "includes (RY2) Black Metallic Hash Mark Stripes, LPO (5ZB) Camaro logo wheel center caps, LPO, (WR1/57W) 20" 5-split spoke polished forged wheels and (VYW) premium carpeted floor mats with Camaro logo, LPO".
- Convertible Exterior section-(PDL) Wild Cherry Design Package 1, updated extended description to now read "includes (RY2) Black Metallic Hash Mark Stripes, LPO (5ZB) Camaro logo wheel center caps, LPO, (WR1/57W) 20" 5-split spoke polished forged wheels and (VYW) premium carpeted floor mats with Camaro logo, LPO".
- Coupe Mechanical section-Driver Selector Mode, updated bold description to now read "Driver Mode Selector".
- Coupe Mechanical section-(A1X) 1LE Track Performance Package, updated extended description by removing "(G80) limited slip differential".
- Coupe Mechanical section-(A1Z) ZL1 1LE Extreme Track Performance Package, updated extended description by removing "(DD8) auto-dimming inside rearview mirror".
- Convertible Mechanical section-Driver Selector Mode, updated bold description to now read "Driver Mode Selector".

### Week of 7/20/2020

Effective 7/20/2020, the following changes will be made to the Vehicle Order Guide:

- Coupe OnStar/SiriusXM Fleet Options section-Added (R7Z) OnStar Additional 57 months of OnStar Fleet Safety and Security. Provides 57 months of Fleet Safety and Security service in addition to the 3 months of complimentary coverage that is included in the price of the vehicle. Total OnStar Fleet Safety and Security service duration is 60 months. It is "A" on all equipment groups with a footnote that reads "Requires (UE1) OnStar. Requires one of the following Fleet or Government order types: FLS, FNR, FRC, FBC, FGO or FEF. Not available with P0J, P0K, P0L, P1R, P1S, P1T or P1U. Not available with a ship-to of Guam, Puerto Rico or the Virgin Islands."
- Coupe OnStar/SiriusXM Fleet Options section-Added R7Z as "Not available with" to the following options: P0J, P0K, P0L, P1R, P1S, P1T, P1U.
- Convertible OnStar/SiriusXM Fleet Options section-Added (R7Z) OnStar Additional 57 months of OnStar Fleet Safety and Security. Provides 57 months of Fleet Safety and Security service in addition to the 3 months of complimentary coverage that is included in the price of the vehicle. Total OnStar Fleet Safety and Security service duration is 60 months. It is "A" on all equipment groups with a footnote that reads "Requires (UE1) OnStar. Requires one of the following Fleet or Government order types: FLS, FNR, FRC, FBC, FGO or FEF. Not available with P0J, P0K, P0L, P1R, P1S, P1T or P1U. Not available with a ship-to of Guam, Puerto Rico or the Virgin Islands."

- Convertible OnStar/SiriusXM Fleet Options section-Added R7Z as "Not available with" to the following options: P0J, P0K, P0L, P1R, P1S, P1T, P1U.

**Week of 6/29/2020**

Effective 6/29/2020, the following changes will be made to the Vehicle Order Guide:

- Coupe Exterior section-Added (VTA) LPO, Black exhaust tip. It is "A/D1" on 1LS with a footnote 1 that reads "Not available with 5VM, VTD.". Also it is "A/D2" on 1LT, 2LT, 3LT, 1SS and 2SS with a footnote 2 that reads "Not available with 5VM, VTD, NPP."
- Coupe Exterior section-Added (5VF) LPO, Carbon fiber exhaust tip. It is "A/D1" on 1LS with a footnote 1 that reads "Not available with 5VM, VTD.". Also it is "A/D2" on 1LT, 2LT, 3LT, 1SS and 2SS with a footnote 2 that reads "Not available with 5VM, VTD, NPP."
- Convertible Exterior section-Added (VTA) LPO, Black exhaust tip. It is "A/D1" on 1LT, 2LT, 3LT, 1SS and 2SS with a footnote 1 that reads "Not available with 5VM, VTD, NPP."
- Convertible Exterior section-Added (5VF) LPO, Carbon fiber exhaust tip. It is "A/D1" on 1LT, 2LT, 3LT, 1SS and 2SS with a footnote 1 that reads "Not available with 5VM, VTD, NPP."
- Color and Trim section-(H16) Adrenaline Red, updated footnote 1 to now read "Included and only available with (BRJ) Adrenaline Red Interior Package."
- Color and Trim section-(H13) Ceramic White, updated footnote 2 to now read "Included and only available with (BRD) Ceramic White Interior Package."

**Week of 6/15/2020**

Effective 6/15/2020, the following changes will be made to the Vehicle Order Guide:

- Coupe Interior section-(SA7) LPO, Suede shift knob and boot kit, changed availability on 1LZ, 1SS and 2SS to "--".
- Convertible Interior section-(SA7) LPO, Suede shift knob and boot kit, changed availability on 1LZ, 1SS and 2SS to "--".
- Coupe Mechanical section-(A1Y) SS 1LE Track Performance Package, updated footnotes 1 and 2 by removing "SA7" from the "Not available with the following LPOs" portion of the footnotes.
- Coupe OnStar/SiriusXM Fleet Options section-P0M, P0N, P0O, P1R, P1S, P1T, P1U, P0V, P0W, P0X, P0Y, P0Z – Updated footnote. Please review order guide after updates are posted.
- Convertible OnStar/SiriusXM Fleet Options section-P0M, P0N, P0O, P1R, P1S, P1T, P1U, P0V, P0W, P0X, P0Y, P0Z – Updated footnote. Please review order guide after updates are posted.

**Week of 6/8/2020**

Effective 6/8/2020, the following changes will be made to the Vehicle Order Guide:

- Coupe Exterior section-(SB7) LPO, Red Spider Stripes, updated footnote 1 to now read "Not available with exterior colors (G7C) Red Hot or (GSK) Wild Cherry Tintcoat or with (C3O/BO3/BO4/C2U) Rally Stripes."
- Coupe Exterior section-(SB9) LPO, Black Spider Stripes, added a footnote 1 to 1LS, 1LT, 2LT, 3LT, 1LZ, 1SS and 2SS that reads "Not available with (C3O/BO3/BO4/C2U) Rally Stripes."
- Coupe Exterior section-(SNB) LPO, Silver Spider Stripes, added a footnote 1 to 1LS, 1LT, 2LT, 3LT, 1LZ,

1SS and 2SS that reads "Not available with (C3O/BO3/BO4/C2U) Rally Stripes."

- Coupe Exterior section-(SNC) LPO, White Pearl Spider Stripes, updated footnote 1 to now read "Not available with exterior color (GAZ) Summit White or with (C3O/BO3/BO4/C2U) Rally Stripes."
- Coupe Exterior section-(SNJ) LPO, Black Metallic Stinger Stripe, added a footnote 1 to 1LS, 1LT, 2LT, 3LT, 1LZ, 1SS and 2SS that reads "Not available with (DUU/DUV/DW7/DW8) Center Stripe or (C3O/BO3/BO4/C2U) Rally Stripes."
- Coupe Exterior section-(SFA) LPO, Red Stinger Stripe, updated footnote 1 to now read "Not available with exterior color (G16) Crush, (G7C) Red Hot, (GKO) Shock or (GSK) Wild Cherry Tintcoat or with (DUU/DUV/DW7/DW8) Center Stripe or (C3O/BO3/BO4/C2U) Rally Stripes."
- Coupe Exterior section-(SNE) LPO, Silver Stinger Stripe, added a footnote 1 to 1LS, 1LT, 2LT, 3LT, 1LZ, 1SS and 2SS that reads "Not available with (DUU/DUV/DW7/DW8) Center Stripe or (C3O/BO3/BO4/C2U) Rally Stripes."
- Coupe Exterior section-(SNM) LPO, White Pearl Stinger Stripe, updated footnote 1 to now read "Not available with exterior color (GAZ) Summit White or with (DUU/DUV/DW7/DW8) Center Stripe or (C3O/BO3/BO4/C2U) Rally Stripes."
- Convertible Exterior section-(SB7) LPO, Red Spider Stripes, updated footnote 1 to now read "Requires (19T) Black convertible top. Not available with exterior colors (G7C) Red Hot or (GSK) Wild Cherry Tintcoat or with (C3O/BO3/BO4/C2U) Rally Stripes."
- Convertible Exterior section-(SB9) LPO, Black Spider Stripes, added a footnote 1 to 1LT, 2LT, 3LT, 1LZ, 1SS and 2SS that reads "Not available with (C3O/BO3/BO4/C2U) Rally Stripes."
- Convertible Exterior section-(SNB) LPO, Silver Spider Stripes, added a footnote 1 to 1LT, 2LT, 3LT, 1LZ, 1SS and 2SS that reads "Not available with (C3O/BO3/BO4/C2U) Rally Stripes."
- Convertible Exterior section-(SNC) LPO, White Pearl Spider Stripes, updated footnote 1 to now read "Not available with exterior color (GAZ) Summit White or with (C3O/BO3/BO4/C2U) Rally Stripes."
- Convertible Exterior section-(SNJ) LPO, Black Metallic Stinger Stripe, added a footnote 1 to 1LT, 2LT, 3LT, 1LZ, 1SS and 2SS that reads "Not available with (DUU/DUV/DW7/DW8) Center Stripe or (C3O/BO3/BO4/C2U) Rally Stripes."
- Convertible Exterior section-(SFA) LPO, Red Stinger Stripe, updated footnote 1 to now read "Not available with exterior color (G16) Crush, (G7C) Red Hot, (GKO) Shock or (GSK) Wild Cherry Tintcoat or with (DUU/DUV/DW7/DW8) Center Stripe or (C3O/BO3/BO4/C2U) Rally Stripes."
- Convertible Exterior section-(SNE) LPO, Silver Stinger Stripe, added a footnote 1 to 1LT, 2LT, 3LT, 1LZ, 1SS and 2SS that reads "Not available with (DUU/DUV/DW7/DW8) Center Stripe or (C3O/BO3/BO4/C2U) Rally Stripes."
- Convertible Exterior section-(SNM) LPO, White Pearl Stinger Stripe, updated footnote 1 to now read "Not available with exterior color (GAZ) Summit White or with (DUU/DUV/DW7/DW8) Center Stripe or (C3O/BO3/BO4/C2U) Rally Stripes."
- Coupe Mechanical section-(V18) Cooler, engine coolant, auxiliary, updated footnote 1 to now read "Included and only available with (A1X) 1LE Track Performance Package when (LGX) 3.6L V6 engine is ordered."

**Week of 6/8/2020**



Effective 6/8/2020, the following changes will be made to the Vehicle Order Guide:

- Coupe Mechanical section-(Y4Q) Heavy-Duty Cooling and Brake Package, updated extended description to now read "includes (KC4) external engine oil cooler and (J55) Brembo 4-piston front performance, 4-wheel antilock, 4-wheel disc brakes; also includes (V03) extra capacity cooling system when (MX0) automatic transmission is ordered".
- Coupe Mechanical section-(A1X) 1LE Track Performance Package, updated extended description to now read "includes (J55) Brembo 4-piston front, performance, 4-wheel antilock, 4-wheel disc brakes, (KC4) external engine oil cooler, (V03) extra capacity cooling system, (KNR) rear differential cooler, (KD1) transmission oil cooler, (G80) limited slip differential, (Y4Q) Heavy-Duty Cooling and Brake Package, (FE3) performance suspension, (FTF) Black front splitter, (DSM) Satin Black hood wrap, (D5S) Satin Black rear blade spoiler, (R0F) 245/40ZR20 front and 275/35ZR20 rear, blackwall, summer-only, run-flat tires, (56Z) 20" x 8.5" front and 20" x 9.5" rear Black forged aluminum wheels, RS badging, RS lighting, (N26) sueded-wrapped, flat-bottom steering wheel and (KS9) sueded-wrapped shift knob, also includes (NPP) dual-mode exhaust and (V18) auxiliary engine coolant when (LGX) 3.6L V6 engine is ordered".

#### **Week of 6/1/2020**

Effective 6/1/2020, the following changes will be made to the Vehicle Order Guide:

- Coupe Exterior section-(PCK) LPO, Black Accent Exterior Package, updated extended description to now read "includes (PCR) Satin Black Front Splitter/Side Rockers Package, LPO and (5JX/57S) 20" 5-split spoke Satin Black wheels, LPO".
- Coupe Exterior section-(PCY) LPO, Red Accent Exterior Package, added a footnote 2 to 1LT, 2LT and 3LT that reads "Not available with WBL, RO1, RO2 or exterior colors (G16) Crush, (GKK) Riverside Blue Metallic, (GKO) Shock or (GSK) Wild Cherry Tintcoat."
- Convertible Exterior section-(PCK) LPO, Black Accent Exterior Package, updated extended description to now read "includes (PCR) Satin Black Front Splitter/Side Rockers Package, LPO and (5JX/57S) 20" 5-split spoke Satin Black wheels, LPO".
- Convertible Exterior section-(PCY) LPO, Red Accent Exterior Package, updated footnote 1 to now read "Not available with WBL, RO1, RO2 or exterior colors (G16) Crush, (GKK) Riverside Blue Metallic, (GKO) Shock or (GSK) Wild Cherry Tintcoat."

#### **Week of 5/18/2020**

Effective 5/18/2020, the following changes will be made to the Vehicle Order Guide:

- Coupe Exterior section-Added (PCR) LPO, Satin Black Front Splitter/Side Rockers Package, includes (STI) Satin Black rocker moldings, LPO and (SL2) Satin Black, second generation front fascia extension, LPO. It is "A/D1" on 1LS, 1LT, 2LT, 3LT and 1LZ with a footnote 1 that reads "Requires 5V5, 5ZU, 5ZV, 5ZW, 5ZZ, SB2 or D80. Not available with 5VM, RMH, RZ3 or VTD." Also it is "A/D2" on 1SS and 2SS with a footnote 2 that reads "Not available with 5VM, RMH, RZ3 or VTD."
- Coupe Exterior section-Added (PCK) LPO, Black Accent Exterior Package, includes (PCK) Satin Black Front Splitter/Side Rockers Package, LPO and (5JX/57S) 20" 5-split spoke Satin Black wheels, LPO. It is "A/D1" on 1LT, 2LT, 3LT and 1LZ with a footnote 1 that reads "Requires (WRS) RS Package. Not available with SFE,

5VM, RMH, RZ3 or VTD." Also it is "A/D2" on 1SS and 2SS with a footnote 2 that reads "Not available with SFE, 5VM, RMH, RZ3 or VTD."

- Coupe Exterior section-Added (PCY) LPO, Red Accent Exterior Package, includes (SHU) Satin Black Hood Stripe with Red Hot Hash Mark, LPO and (RZB) Black lower grille with Red Hot inserts. It is "A/D1" on 1LS, 1LT, 2LT and 3LT with a footnote 1 that reads "Not available with RO1, RO2 or exterior colors (G16) Crush, (GKK) Riverside Blue Metallic, (GKO) Shock or (GSK) Wild Cherry Tintcoat."
- Convertible Exterior section-Added (PCR) LPO, Satin Black Front Splitter/Side Rockers Package, includes (STI) Satin Black rocker moldings, LPO and (SL2) Satin Black, second generation front fascia extension, LPO. It is "A/D1" on 1LT, 2LT, 3LT, 1LZ, 1SS and 2SS with a footnote 1 that reads "Not available with 5VM, RMH, RZ3 or VTD."
- Convertible Exterior section-Added (PCK) LPO, Black Accent Exterior Package, includes (PCK) Satin Black Front Splitter/Side Rockers Package, LPO and (5JX/57S) 20" 5-split spoke Satin Black wheels, LPO. It is "A/D1" on 1LT, 2LT, 3LT and 1LZ with a footnote 1 that reads "Requires (WRS) RS Package. Not available with SFE, 5VM, RMH, RZ3 or VTD." Also it is "A/D2" on 1SS and 2SS with a footnote 2 that reads "Not available with SFE, 5VM, RMH, RZ3 or VTD."
- Convertible Exterior section-Added (PCY) LPO, Red Accent Exterior Package, includes (SHU) Satin Black Hood Stripe with Red Hot Hash Mark, LPO and (RZB) Black lower grille with Red Hot inserts. It is "A/D1" on 1LT, 2LT and 3LT with a footnote 1 that reads "Not available with RO1, RO2 or exterior colors (G16) Crush, (GKK) Riverside Blue Metallic, (GKO) Shock or (GSK) Wild Cherry Tintcoat."
- Coupe Mechanical section-(A1X) 1LE Track Performance Package, updated the portion of footnote 1 that reads "Not available with the following LPOs" by adding "PCK, PCR, PCY".
- Coupe Mechanical section-(A1Y) SS 1LE Track Performance Package, updated the portion of footnote 1 and 2 that reads "Not available with the following LPOs" by adding "PCK, PCR".

#### **Week of 5/11/2020**

Effective 5/11/2020, the following changes will be made to the Vehicle Order Guide:

- Coupe Mechanical section-(J6L) Calipers, Orange-painted, added a new footnote 2 to 1LZ that reads "Not available with (5K9) 20" Caliente wheels." Old footnote 2 is now footnote 3.
- Coupe Mechanical section-(J6F) Calipers, Red-painted, added a new footnote 2 to 1LZ that reads "Not available with (5K9) 20" Caliente wheels." Old footnote 2 is now footnote 3.
- Convertible Mechanical section-(J6L) Calipers, Orange-painted, added a new footnote 2 to 1LZ that reads "Not available with (5K9) 20" Caliente wheels." Old footnote 2 is now footnote 3.
- Convertible Mechanical section-(J6F) Calipers, Red-painted, added a new footnote 2 to 1LZ that reads "Not available with (5K9) 20" Caliente wheels." Old footnote 2 is now footnote 3.

#### **Week of 5/4/2020**

Effective 5/4/2020, the following changes will be made to the Vehicle Order Guide:

- Coupe Exterior section-(PDL) Wild Cherry Package Design 1 Package, updated extended description to now read "includes (RY2) Black Metallic Hash Mark Stripes, LPO (5ZB) Camaro logo wheel center caps, LPO, (WR1/57W) 20" 5-split spoke polished forged wheels with Black star center cap and (VYW) premium carpeted

floor mats with Camaro logo, LPO". Also updated footnote 1 to now read "Also includes (CG3) Camaro fender badge emblem. Requires exterior color (GSK) Wild Cherry Tintcoat and (WRS) RS Package. Wheel RPO is WR1." Also updated footnote 2 to now read "Requires exterior color (GSK) Wild Cherry Tintcoat and (WRS) RS Package. Wheel RPO is WR1." Also updated footnote 3 to now read "Also includes (CG3) Camaro fender badge emblem. Requires exterior color (GSK) Wild Cherry Tintcoat. Wheel RPO is 57W."

- Coupe Exterior section-(PDN) Wild Cherry Package Design 2 Package, updated extended description to now read "includes (PDL) Wild Cherry Design Package 1, (S0U) Black sueded knee pads, LPO, (VQL) Fuel filler door in Black with visible carbon fiber insert, LPO, (VTD) Carbon Flash Metallic, second generation Ground Effects, LPO and (DUU/DUV/DW8) Center Stripe". Also updated footnote 1 to now read "Requires exterior color (GSK) Wild Cherry Tintcoat and the selection of either (DUU) Black Center Stripe or (DUV) Silver Center Stripe." Also updated footnote 2 to now read "Requires exterior color (GSK) Wild Cherry Tintcoat and the selection of either (DW8) Black Metallic Center Stripe or (DUV) Silver Center Stripe."
- Coupe Exterior section-(RXH) LPO, Silver RS wheel center caps, updated footnote 1 to now read "Requires (WRS) RS Package. Not available with RTH, SHL."
- Coupe Exterior section-(5ZB) LPO, Camaro logo wheel center caps, updated footnote 1 to now read "Not available with RTH, SHL." Also updated footnote 3 to now read "Not available with (56H) SS 20" (50.8 cm) 5-spoke gloss Black wheels with Red stripe, LPO." Also updated footnote 4 to now read "Not available with 56H, 56V."
- Coupe Exterior section-(5ZD) LPO, Wheel center caps, Performance, updated footnote 1 to now read "Not available with SHL, SKW." Also updated footnote 2 to now read "Not available with 56H, 56M."
- Coupe Exterior section-Deleted (5JW) LPO, 20" (50.8 cm) 5-split spoke polished forged wheels with Black star center cap.
- Coupe Exterior section-Deleted (56K) LPO, SS 20" (50.8 cm) 5-split spoke polished forged wheels with Black star center cap.
- Convertible Exterior section-(PDL) Wild Cherry Package Design 1 Package, updated extended description to now read "includes (RY2) Black Metallic Hash Mark Stripes, LPO (5ZB) Camaro logo wheel center caps, LPO, (WR1/57W) 20" 5-split spoke polished forged wheels with Black star center cap and (VYW) premium carpeted floor mats with Camaro logo, LPO". Also updated footnote 1 to now read "Also includes (CG3) Camaro fender badge emblem. Requires exterior color (GSK) Wild Cherry Tintcoat and (WRS) RS Package. Wheel RPO is WR1." Also updated footnote 2 to now read "Requires exterior color (GSK) Wild Cherry Tintcoat and (WRS) RS Package. Wheel RPO is WR1." Also updated footnote 3 to now read "Also includes (CG3) Camaro fender badge emblem. Requires exterior color (GSK) Wild Cherry Tintcoat. Wheel RPO is 57W."

#### **Week of 5/4/2020**

Effective 5/4/2020, the following changes will be made to the Vehicle Order Guide:

- Convertible Exterior section-(PDN) Wild Cherry Package Design 2 Package, updated extended description to now read "includes (PDL) Wild Cherry Design Package 1, (S0U) Black sueded knee pads, LPO, (VQL) Fuel filler door in Black with visible carbon fiber insert, LPO, (VTD) Carbon Flash Metallic, second generation Ground Effects, LPO and (DUU/DUV/DW8) Center Stripe". Also updated footnote 1 to now read "Requires exterior color (GSK) Wild Cherry Tintcoat and the selection of either (DUU) Black Center Stripe or (DUV) Silver

Center Stripe." Also updated footnote 2 to now read "Requires exterior color (GSK) Wild Cherry Tintcoat and the selection of either (DW8) Black Metallic Center Stripe or (DUV) Silver Center Stripe."

- Convertible Exterior section-(RXH) LPO, Silver RS wheel center caps, updated footnote 1 to now read "Requires (WRS) RS Package. Not available with RTH, SHL."
- Convertible Exterior section-(5ZB) LPO, Camaro logo wheel center caps, updated footnote 1 to now read "Not available with RTH, SHL." Also updated footnote 3 to now read "Not available with (56H) SS 20" (50.8 cm) 5-spoke gloss Black wheels with Red stripe, LPO." Also updated footnote 4 to now read "Not available with 56H, 56V."
- Convertible Exterior section-(5ZD) LPO, Wheel center caps, Performance, updated footnote 1 to now read "Not available with SHL, SKW." Also updated footnote 2 to now read "Not available with 56H, 56M."
- Convertible Exterior section-Deleted (5JW) LPO, 20" (50.8 cm) 5-split spoke polished forged wheels with Black star center cap.
- Convertible Exterior section-Deleted (56K) LPO, SS 20" (50.8 cm) 5-split spoke polished forged wheels with Black star center cap.
- Coupe Mechanical section-(A1X) 1LE Track Performance Package, updated the portion of footnote 1 that reads "Not available with the following LPOs" by deleting "5JW".

#### **Week of 4/27/2020**

Effective 4/27/2020, the following changes will be made to the Vehicle Order Guide:

- Coupe Interior section-(UV6) Head Up Display, updated extended description to now read "with color digital readouts for vehicle speed, selected gear, G-Force, audio system information, high-beam indicator, compass, outside air temperature, tachometer, vehicle messages, Turn-by-Turn information and phone information".
- Convertible Interior section-(UV6) Head Up Display, updated extended description to now read "with color digital readouts for vehicle speed, selected gear, G-Force, audio system information, high-beam indicator, compass, outside air temperature, tachometer, vehicle messages, Turn-by-Turn information and phone information".
- Coupe Exterior section-(PDL) Wild Cherry Package Design 1 Package, changed Package name to "Wild Cherry Design Package 1".
- Coupe Exterior section-(PDN) Wild Cherry Package Design 2 Package, changed Package name to "Wild Cherry Design Package 2". Also updated extended description to now read " includes (PDL) Wild Cherry Design Package 1, (S0U) Black sueded knee pads, LPO, (VQL) Fuel filler door in Black with visible carbon fiber insert, LPO and (VTD) Carbon Flash Metallic, second generation Ground Effects, LPO".
- Coupe Exterior section-(RZ3) LPO, Front fascia extension, changed description to "LPO, Front splitter".
- Convertible Exterior section-(PDL) Wild Cherry Package Design 1 Package, changed Package name to "Wild Cherry Design Package 1".
- Convertible Exterior section-(PDN) Wild Cherry Package Design 2 Package, changed Package name to "Wild Cherry Design Package 2". Also updated extended description to now read " includes (PDL) Wild Cherry Design Package 1, (S0U) Black sueded knee pads, LPO, (VQL) Fuel filler door in Black with visible carbon fiber insert, LPO and (VTD) Carbon Flash Metallic, second generation Ground Effects, LPO".
- Convertible Exterior section-(RZ3) LPO, Front fascia extension, changed description to "LPO, Front splitter".

**Week of 4/20/2020**

Effective 4/20/2020, the following changes will be made to the Vehicle Order Guide:

- Coupe Exterior section-Added (PDL) Wild Cherry Package Design 1 Package, includes (RY2) Black Metallic Hash Mark Stripes, LPO (5ZB) Camaro logo wheel center caps, LPO and (VYW) premium carpeted floor mats with Camaro logo, LPO. It is "A1" on 1LT, 2LT and 3LT with a footnote 1 that reads "Also includes (CG3) Camaro fender badge emblem. Requires exterior color (GSK) Wild Cherry Tintcoat, (WR1) 20" 5-split spoke polished forged wheels with Black star center cap and (WRS) RS Package." Also it is "A2" on 1LZ with a footnote 2 that reads "Requires exterior color (GSK) Wild Cherry Tintcoat, (WR1) 20" 5-split spoke polished forged wheels with Black star center cap and (WRS) RS Package." Also it is "A3" on 1SS and 2SS with a footnote 3 that reads "Also includes (CG3) Camaro fender badge emblem. Requires exterior color (GSK) Wild Cherry Tintcoat and (57W) 20" 5-split spoke polished forged wheels with Black star center cap."
- Coupe Exterior section-Added (PDN) Wild Cherry Package Design 2 Package, includes (PDL) Wild Cherry Package Design 1 Package, (S0U) Black sueded knee pads, LPO, (VQL) Fuel filler door in Black with visible carbon fiber insert, LPO and (VTD) Carbon Flash Metallic, second generation Ground Effects, LPO. It is "A1" on 2LT and 3LT with a footnote 1 that reads "Requires exterior color (GSK) Wild Cherry Tintcoat and (DUU) Black Center Stripe or (DUV) Silver Center Stripe." Also it is "A2" on 2SS with a footnote 2 that reads "Requires exterior color (GSK) Wild Cherry Tintcoat and (DW8) Black Metallic Center Stripe or (DUV) Silver Center Stripe."
- Convertible Exterior section-Added (PDL) Wild Cherry Package Design 1 Package, includes (RY2) Black Metallic Hash Mark Stripes, LPO (5ZB) Camaro logo wheel center caps, LPO and (VYW) premium carpeted floor mats with Camaro logo, LPO. It is "A1" on 1LT, 2LT and 3LT with a footnote 1 that reads "Also includes (CG3) Camaro fender badge emblem. Requires exterior color (GSK) Wild Cherry Tintcoat, (WR1) 20" 5-split spoke polished forged wheels with Black star center cap and (WRS) RS Package." Also it is "A2" on 1LZ with a footnote 2 that reads "Requires exterior color (GSK) Wild Cherry Tintcoat, (WR1) 20" 5-split spoke polished forged wheels with Black star center cap and (WRS) RS Package." Also it is "A3" on 1SS and 2SS with a footnote 3 that reads "Also includes (CG3) Camaro fender badge emblem. Requires exterior color (GSK) Wild Cherry Tintcoat and (57W) 20" 5-split spoke polished forged wheels with Black star center cap."
- Convertible Exterior section-Added (PDN) Wild Cherry Package Design 2 Package, includes (PDL) Wild Cherry Package Design 1 Package, (S0U) Black sueded knee pads, LPO, (VQL) Fuel filler door in Black with visible carbon fiber insert, LPO and (VTD) Carbon Flash Metallic, second generation Ground Effects, LPO. It is "A1" on 2LT and 3LT with a footnote 1 that reads "Requires exterior color (GSK) Wild Cherry Tintcoat and (DUU) Black Center Stripe or (DUV) Silver Center Stripe." Also it is "A2" on 2SS with a footnote 2 that reads "Requires exterior color (GSK) Wild Cherry Tintcoat and (DW8) Black Metallic Center Stripe or (DUV) Silver Center Stripe."
- Coupe Mechanical section-(A1X) 1LE Track Performance Package, updated this portion of footnote 1 "Not available with A9B, B9M, P3H, WRS;" to now read "Not available with A9B, B9M, P3H, PDL, PDN, WRS;".
- Coupe Mechanical section-(A1Y) SS 1LE Track Performance Package, updated this portion of footnote 1 "Not available with A9B, J6F, J6L;" to now read "Not available with A9B, J6F, J6L, PDL;". Also updated this portion of footnote 2 "Not available with A9B, J6F, J6L;" to now read "Not available with A9B, J6F, J6L, PDL,

PDN;".

**Week of 4/6/2020**

Effective 4/6/2020, the following changes will be made to the Vehicle Order Guide:

- Coupe Interior section-(VQG) LPO, Weather Protection Package, applied existing footnote 1 to 1LS.
- Coupe Exterior section-(WBL) Redline Edition, updated footnote 1 to now read "Requires (WRS) RS Package, (H1T/H0Y) Jet Black interior and exterior color (G9K) Satin Steel Metallic, (GAZ) Summit White or (GBA) Black. Not available with P3H, RO1, RO2, RZB."
- Convertible Exterior section-(WBL) Redline Edition, updated footnote 1 to now read "Requires (WRS) RS Package, (19T) Black convertible top, (H1T/H0Y) Jet Black interior and exterior color (G9K) Satin Steel Metallic, (GAZ) Summit White or (GBA) Black. Not available with P3H, RO1, RO2, RZB." Also updated footnote 2 to now read "Requires (19T) Black convertible top, (H1T/H0Y) Jet Black interior and exterior color (G9K) Satin Steel Metallic, (GAZ) Summit White or (GBA) Black."
- Coupe Mechanical section-(A1X) 1LE Track Performance Package, updated footnote 1 by adding "PCX" to the "Not available with the following LPOs" portion of the footnote.
- Coupe Mechanical section-(A1Y) SS 1LE Track Performance Package, updated footnote 1 to now read "Also includes (UV6) Head-Up Display. Requires (H1T) Jet Black interior. Not available with A9B, J6F, J6L; any other wheels; the following Stripes: BO3, BO4, C2U, DUV, DW7, DW8; and the following LPOs: 5LQ, 5V5, 5VM, 5ZB, 5ZD, 5ZU, 5ZV, 5ZW, 5ZZ, PCX, RMH, RXJ, RY2, RZ3, S0V, SA7, SB2, SB3, SB7, SB9, SC1, SCJ, SF8, SF9, SFA, SFC, SFZ, SG3, SHQ, SL2, SNB, SNC, SNE, SNG, SNH, SNJ, SNM, SNP, SNQ, SNS, VPO, VPW, VTD, WGL." Also updated footnote 2 to now read "Requires (H0Y) Jet Black interior. Not available with A9B, J6F, J6L; any other wheels; the following Stripes: BO3, BO4, C2U, DUV, DW7, DW8; and the following LPOs: 5LQ, 5V5, 5VM, 5ZB, 5ZD, 5ZU, 5ZV, 5ZW, 5ZZ, PCX, RMH, RXJ, RY2, RZ3, S0V, SA7, SB2, SB3, SB7, SB9, SC1, SCJ, SF8, SF9, SFA, SFC, SFZ, SG3, SHQ, SL2, SNB, SNC, SNE, SNG, SNH, SNJ, SNM, SNP, SNQ, SNS, VPO, VPW, VTD, WGL."