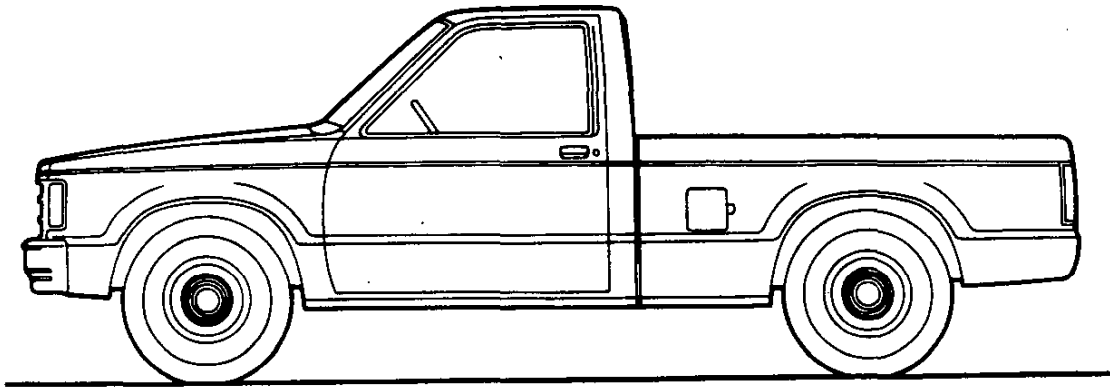


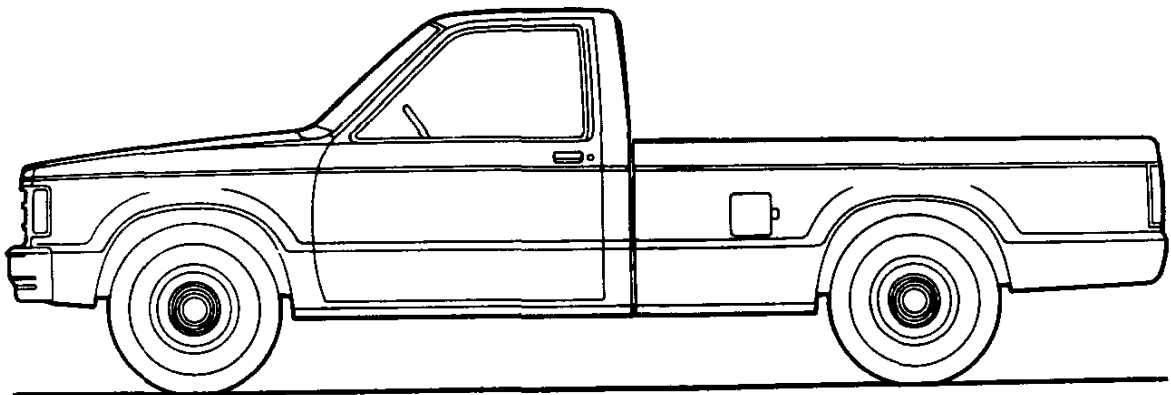


# S-10 PICKUP

## MODEL SELECTOR



SERIES	MODEL NUMBER		BODY ORDERING CODE
	6' BOX	7'5" BOX	
<b>S-10</b>	CS10603	CS10803	E63



# S-10 PICKUP

## STANDARD SPECIFICATIONS

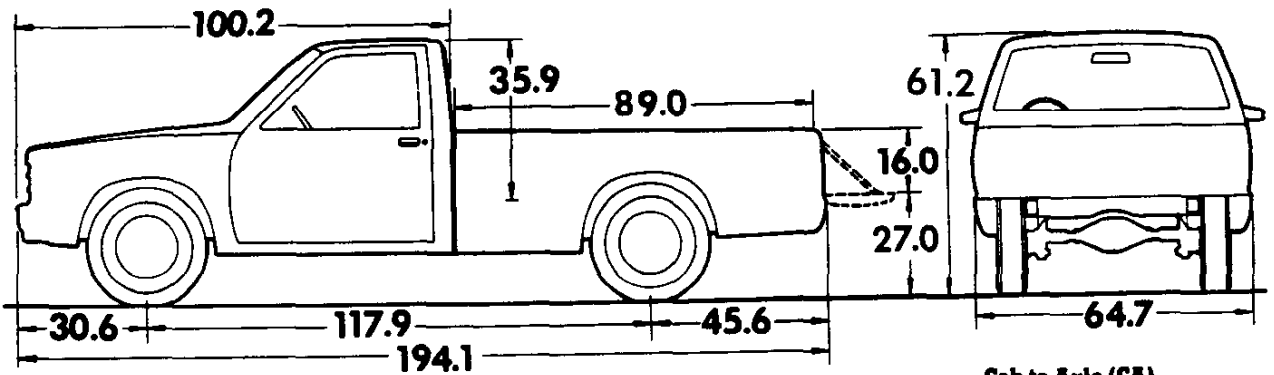
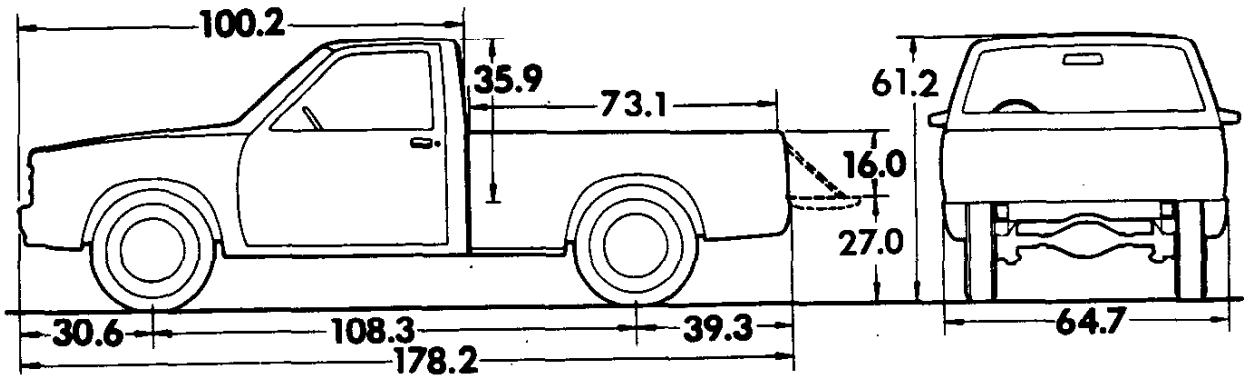
(See Blue Tab Section for Specification Details)

Series	S-10
<b>Engine</b>	
Base Equip. ....	1.9 Liter (119 Cu. In.) 2-bbl. L4
Clutch .....	8.46", 57.7 sq. in.
Air Filter .....	Oiled-paper Element
Oil Filter .....	Throwaway Type
Exhaust System .....	Single; Aluminized, w/aluminum Tailpipe
Emission Control Systems .....	See Engine & Cooling Section for specific model applications
<b>Suspension, Front</b>	Independent
Type .....	Coil Springs
Axle Capacity .....	2300 lb.
Springs @ Ground .....	1150 lb. ea.
Shock Absorbers .....	25mm dia.
<b>Suspension, Rear</b>	Salisbury Axle; Hypoid Drive; Two-stage Multi-leaf Springs
Type .....	Leaf Springs
Axle Capacity .....	2550 lb.
Axle Ratio .....	3.08
Springs, Main @ Ground .....	1150 lb. ea.
Shock Absorbers .....	25mm dia.
<b>Brakes</b>	Hydraulic; Self-adjusting
Front .....	Disc; 10.51" Rotor
Rear .....	Drum; 9.49" x 2"
Parking .....	Cable to Rear Wheels
<b>Electrical</b>	12 Volt; Negative Ground
Battery - Freedom Type .....	315 CCA ♦ @ 0°F.
- Reserve Capacity .....	75 min. @ 80°F.
Delcotron Generator .....	37 amp.
<b>Frame</b>	Carbon Steel; 36,39,000 psi
Section Modulus .....	108.3" WB-1.94; 117.9" WB-2.19
<b>Fuel Tank (nominal capacity)</b>	13.2 gal.
<b>Steering Gear Type</b>	Manual; Recirculating
Linkage .....	Ball Gear
	Parallelogram
<b>Transmission</b>	Fully Synchronized 4-Speed Manual
Shift Location .....	Floor
<b>Tires</b>	(4) P195/75R14 Fiberglass Belted
Spare .....	(1) T135/80D-15
<b>Wheels</b>	(4) Disc, 14" x 6"
Spare .....	(1) Disc, 15" x 4"

♦ CCA-Cold Cranking Amps

# S-10 PICKUP

Body Ordering Code: E63



**Cab to Axle (CA)**  
 108.3" WB - 38.7"  
 117.9" WB - 48.3"

Model	Body Ordering Code	Engine No. Cyl.	Curb Weight (lb)			Model Weights (lb)*			Ground Clearance (in)*
			Front	Rear	Total	Front	Rear	Total	Minimum
CS10603	E63	4	1466	1043	2509	1691	1268	2959	6.4
CS10803	E63	4	1509	1075	2584	1752	1282	3034	6.4

\* Dimensions with standard equipment, unloaded.

\*Model Weights include curb weight plus occupants (standard seating capacity x 150 lbs.). Total Weight may vary as much as ±100 lbs. to allow for production build variation.

# S-10 PICKUP

## PAYLOAD SELECTOR

‡Maximum Ratings				Minimum Equipment Required for GVW Rating		
Payload (lb)	GVW Range (lb)	†GAWR (lb)		Tires, Front	Tires, Rear	Chassis Equipment
		Front	Rear			
1000	3425 to 4190	2300	2300	P195/75R14♦	P195/75R14♦	Standard
1500	3970 to 4720	2300	2540	P195/75R14♦	P195/75R14♦	H.D. Payload Package (C3A); V6 Engine (LR2)

‡GAWRs shown are the maximum for each axle with the equipment listed. Maximum ratings include 100 lbs. allowance for vehicle weight variance.

†GAWR – Gross Axle Weight Rating.

♦Fiberglass belted radial tires.

•Steel belted radial tires.

### POWER TEAMS

### ALL STATES

ENGINE	TRANSMISSIONS BY RPO NUMBER			♦ AXLE RATIOS BY RPO NUMBER					PAYLOAD (lbs)
	4-SP	5-SP	AUTO	2.56	2.73	3.08	3.42	3.73	
■LR1 L4 1.9 Liter (119-2 BBL)	MM4	–	–	–	–	GQ1	GU6	–	1000
	●MM4	–	–	–	–	–	GQ1	G84	1000
	–	–	MX1	–	–	–	GQ1	GT4	1000
	–	–	●MX1	–	–	–	–	GQ1	1000
	–	–	–	–	–	–	–	–	1000
■LR2 V6 2.8 Liter (173-2 BBL)	MM4	–	–	GQ1	–	GU4	–	–	1000
	●MM4	–	–	–	–	GQ1	–	G84	1000
	–	MM5	–	–	–	GQ1	–	●G84	1000
	–	–	‡MX1	–	GQ1	GU4	–	●G84	1000
	MM4	–	–	–	GQ1	GU4	–	–	1500
	●MM4	–	–	–	–	GQ1	–	G84	1500
	–	‡MM5	‡MX1	–	–	GQ1	–	●G84	1500

♦ Locking Differential rear axle also available; GQ1 indicates standard axle ratio.

■ Available for registration in the state of California when California Emission Certification is ordered.

‡ Available after January 1, 1982.

● Requires NA6 High Altitude Emissions.

‡ With NA5 Standard Emissions, also satisfies High Altitude Emission requirements.

### ENGINE RATINGS

SAE Net Ratings @ 85°F	1.9 Liter 119-2 BBL L4	2.8 Liter 173-2 BBL V6
Net Horsepower	82 @ 4600 rpm	110 @ 4800 rpm
Net Torque, lb-ft	101 @ 3000 rpm	148 @ 2000 rpm

# S10 PICKUP (1000-lb - 1500-lb Payload)

## 1982 VEHICLES WITH STANDARD EQUIPMENT

Prices shown are effective with initial shipment of 1982 model motor vehicles

Description	Model Number	Body Code	Wheel Base	Factory D&H(a)	List Price	Mfr's Suggested Retail Price★	Group Number
<b>◆ 4-Cylinder 1.9 Liter 2 BBL 4 Engine-Engine Ordering Code LR1</b>							
<b>S10 Series 2-Wheel Drive</b>							
Fleetside (6-ft) .....	CS10603	E63	108"	9.58	6260.00	6269.58	10
Fleetside (7 1/3-ft) .....	CS10803	E63	118"	9.58	6410.00	6419.58	10

- ★ Manufacturer's Suggested Retail Prices do not include applicable destination charges, state and local taxes, license fees, optional equipment or accessories or special items or services.
- ◆ Refer to Power Team Chart for California Emission Certification Requirements.

## OPTIONS AND ACCESSORIES WHEN INSTALLED BY CHEVROLET

Prices shown are effective with initial shipment of 1982 model motor vehicles

Description	Added Weight (F R)	Option Number	Factory D&H(a)	List Price	Mfr's Suggested Retail Price◇
<b>POWER TEAMS AND AXLES</b>					
<i>(See Power Teams Chart for availability and complete specifications)</i>					
<b>Engines, 2.8 Liter 2 BBL V6</b> .....	34 14	LR2	N.A.	215.00	215.00
<b>Transmission: 3-Speed Automatic</b>					
Without LR2 2.8 Liter Engine .....	20 6	MX1	N.A.	438.00	438.00
With LR2 2.8 Liter Engine .....	25 9	MX1	N.A.	438.00	438.00
<b>Axles, Rear:</b> (See Power Teams Chart for option number selection, availability and complete specifications)					
<b>Optional Ratio</b> .....	0 0		N.A.	35.00	35.00
<b>Locking Differential</b>					
Without ZK4 or ZK5 Spare Tire .....	0 3	G80	.32	217.00	217.32
With ZK4 or ZK5 Spare Tire. Includes T145 /80D-16 Compact Spare .....	0 3	G80	N.A.	217.00	217.00
<b>Gaseous-Fuel Conversions:</b> See Engine and Cooling Section					

## MODEL OPTIONS

*(See Interior and Exterior Color Selection Charts)*

<b>Durango Equipment:</b> Includes V22 Chromed Grille, black and chrome headlamp bezels, VG3 Deluxe Chromed Front Bumper with rub strips, black windshield and quarter window moldings, P06 Trim Rings, black or argent paint on embossed letters on tailgate. Also includes U37 Cigarette Lighter, glove box and lock, side window defogger, deluxe vent system, dome and courtesy lamp, glove box and ash tray lamps, headlamp warning buzzer, folding bench seat, deluxe steering wheel, color-keyed floor mats, dash and front floor insulation, headliner and deluxe appearance .....	12	4	YC1	N.A.	325.00	325.00
<b>Tahoe Equipment:</b> Includes V22 Chromed Grille, black and chrome headlamp bezels, bright windshield, rear window and quarter window moldings, color-keyed door handle inserts, B84 Black Body Side and bright wheel opening moldings, chromed taillamp molding, P01 Bright Wheel Covers, reflectorized decal on tailgate. Also includes D34 Visor Mirror color-keyed carpeting, dome and courtesy lamps, glove box and ash tray lamps, headlamp warning buzzer, tachometer, Z53 Gage Package with Trip Odometer, U37 Cigarette Lighter, side window defogger, lock on glove box, cab back insulation, headliner and VG3 Deluxe Chromed Front Bumper with rub strip .....	35	22	YC2	N.A.	550.00	550.00

- (a) D & H Charges on vehicle and optional equipment include reimbursement to Chevrolet Motor Division for any tax that it has paid, incurred or agreed to pay thereon.
- ◇ State and local taxes not included.

# S10 PICKUP

## OPTIONS AND ACCESSORIES WHEN INSTALLED BY CHEVROLET

Prices shown are effective with initial shipment of 1982 model motor vehicles

Description	Added Weight (F R)	Option Number	Factory D&H(a)	List Price	Mfr's Suggested Retail Price ◊
<b>MODEL OPTIONS</b>					
<b>Sport Equipment:</b> Available only when ZY7 Sport Two-Tone Paint is specified. Includes V22 Chromed grille, black and chrome headlamp bezels, black windshield, rear window and quarter window moldings, color-keyed door handle inserts, B84 Black Body Side and bright wheel opening moldings, chromed taillamp molding, ZJ7 Argent Styled Wheels, reflectorized decal on tailgate, front and rear bumper color-keyed with rub strips. Also includes D34 Visor Mirror, U37 Cigarette Lighter, tachometer, Z53 Gage Package with Trip Odometer dome and courtesy lamps, glove box and ash tray lamps, deluxe vent system and side window defogger, glove box door and lock, headlamp warning buzzer, folding back bucket seats and D55 Console, full color-keyed carpet, cab back insulation, headliner and special steering wheel and column	48 26	YC3	N.A.	775.00	775.00
<b>OTHER OPTIONS</b>					
<b>Air Conditioning: All-Weather.</b> Includes K81 63-Amp Generator and V01 H.D. Radiator when V02 Radiator and Transmission Oil Cooler is not specified.					
Without YC1 Durango, YC2 Tahoe or YC3 Sport Equipment	67 5	C60	N.A.	677.00	677.00
With YC1 Durango, YC2 Tahoe or YC3 Sport Equipment	62 5	C60	N.A.	646.00	646.00
<b>Battery: Heavy-Duty, 465 Cold Cranking Amps Delco Freedom.</b> Included with V10 Cold-Climate Package.	13 -1	UA1	N.A.	45.00	45.00
<b>Brakes: Vacuum Power.</b> Included with C3A 1500-lb Payload Capacity	9 1	J50	N.A.	87.00	87.00
<b>Bumper Equipment:</b>					
<b>Bumpers, Painted.</b> Available only when ZY7 Sport or ZY8 Special Two-Tone Paint is specified. Not available when VG3 Bumper is specified					
Color-Keyed with rub strip					
Front. Included when YC3 Sport Equipment is specified.					
Without YC1 Durango or YC2 Tahoe Equipment	2 0	VT3	N.A.	56.00	56.00
With YC1 Durango or YC2 Tahoe Equipment	2 0	VT3	NO ADDITIONAL CHARGE		
Rear Step. Available only when VT3 Front Bumper or YC3 Sport Equipment is specified	-13 47	VB2	N.A.	127.00	127.00
<b>Rear Step, Black.</b> Not available when VG3 or VT3 Front Bumpers, YC1 Durango Equipment, YC2 Tahoe Equipment, YC3 Sport Equipment, ZY7 Sport or ZY8 Special Two-Tone Paint are specified.	-12 45	V43	N.A.	106.00	106.00
<b>Bumpers Deluxe, Chromed.</b>					
Front with rub strip. Included when YC1 Durango Equipment or YC2 Tahoe Equipment is specified. Not available when YC3 Sport Equipment, VB2 or V43 Step Bumpers are specified	2 -2	VG3	N.A.	56.00	56.00
Rear with rub strip. Available only when VG3 Chromed Front Bumper, YC1 Durango Equipment or YC2 Tahoe Equipment is specified. Not available when YC3 Sport Equipment or VT3 Color-Keyed Bumper is specified	-13 47	VB3	N.A.	199.00	199.00
<b>Bumper Guards, Front Black.</b> Available only when VG3 Deluxe Chromed Bumper, YC1 Durango Equipment, YC2 Tahoe Equipment, YC3 Sport Equipment, ZY7 Sport or ZY8 Special Two-Tone Paint is specified.	3 0	V28	N.A.	28.00	28.00
	-2 13	P11	N.A.	39.00	39.00
<b>Carrier, Spare Wheel: Glide-Out.</b>					
<b>Clock: Electronic Digital.</b> Available only when U63, U69 or U58 Radio is specified. Included with UN3 Radio	1 0	UE8	N.A.	60.00	60.00
<b>Cold-Climate Package:</b> Not available when C60 Air Conditioning is specified. Includes UA1 H.D. Battery, K81 63-Amp Generator, special insulation, carpeting on rear of cab, lower backlite and quarter trim moldings					
Without YC1 Durango, YC2 Tahoe or YC3 Sport Equipment	18 2	V10	N.A.	217.00	217.00
With YC2 Tahoe or YC3 Sport Equipment	18 2	V10	N.A.	119.00	119.00
With YC1 Durango Equipment	18 2	V10	N.A.	186.00	186.00
<b>Console: Front Compartment Floor.</b> Available only when Bucket Seats are specified. Included when YC3 Sport Equipment is specified.	8 4	D55	N.A.	96.00	96.00

(a) D & H Charges on vehicle and optional equipment include reimbursement to Chevrolet Motor Division for any tax that it has paid, incurred or agreed to pay thereon.  
 ◊ State and local taxes not included.

# S10 PICKUP

## OPTIONS AND ACCESSORIES WHEN INSTALLED BY CHEVROLET

Prices shown are effective with initial shipment of 1982 model motor vehicles

Description	Added Weight (F R)	Option Number	Factory D&H(a)	List Price	Mfr's Suggested Retail Price
<b>OTHER OPTIONS</b>					
<b>Cooling:</b>					
<i>Radiator, Heavy-Duty.</i> Included when C60 Air Conditioning is specified	5 0	V01	N.A.	48.00	48.00
<i>Radiator and Transmission Oil Cooler</i> Available only when LR2 2.8 Liter Engine and MX1 Transmission is specified Also available when V01 H.D. Radiator or C60 Air Conditioning is specified					
Without C60 Air Conditioning	7 0	V02	N.A.	103.00	103.00
With C60 Air Conditioning	7 0	V02	N.A.	55.00	55.00
<b>Door Lock System, Power:</b> Included when ZQ2 Operating Convenience Package is specified	2 1	AU3	N.A.	115.00	115.00
<b>Emission Systems: Dealer Note</b> - One of the following emission options must be specified.					
<i>California Emission Requirements.</i> Includes all testing, equipment and /or certification necessary for registration in the state of California. Not Available when NA5 Standard Emissions or NA6 High Altitude Emissions are specified					
Without LR1 1.9 Liter 2 BBL Engine	7 1	YF5	N.A.	70.00	70.00
With LR1 1.9 Liter 2 BBL Engine	4 1	YF5	N.A.	70.00	70.00
<i>High Altitude Emission Requirements:</i> Not available LR2 2.8 Liter Engine when MX1 Automatic Transmission is specified. For High Altitude Dealers only	0 0	NA6		NO ADDITIONAL CHARGE	
<i>Standard Emission Equipment.</i> Not available when YF5 California Emissions or NA6 High Altitude Emissions are specified	0 0	NA5		NO ADDITIONAL CHARGE	
<b>Floor Covering: Mats, Color-Keyed, Front.</b>	2 1	B32	N.A.	14.00	14.00
<b>Gages:</b>					
<i>Voltmeter, Temperature, Oil Pressure and Trip Odometer.</i> Included when YC2 Tahoe Equipment, YC3 Sport Equipment or U16 Tachometer is specified	1 1	Z53	N.A.	51.00	51.00
<i>Tachometer.</i>					
Without YC2 Tahoe Equipment or YC3 Sport Equipment. Includes Z53 Gage Package	2 1	U16	N.A.	105.00	105.00
With YC2 Tahoe Equipment or YC3 Sport Equipment	2 1	U16	N.A.	54.00	54.00
<b>Generator: 63-Amp Delcotron.</b> Included when C60 Air Conditioning or V10 Cold-Climate Package is specified	0 0	K81	N.A.	58.00	58.00
<b>Glass: Tinted.</b> All Windows	0 0	A01	N.A.	40.00	40.00
<b>Grille: Chromed.</b> Included when YC1 Durango Equipment, YC2 Tahoe Equipment or YC3 Sport Equipment is specified	0 0	V22	N.A.	53.00	53.00
<b>Harness, Wiring: 5-Lead.</b> Not available when Z82 Trailing Special is specified	0 2	U89	N.A.	37.00	37.00
<b>Halogen Headlamps</b>	1 0	TT4	N.A.	20.00	20.00
<b>Lamps:</b> Included when TR9 Auxiliary Lighting is specified.					
<i>Cargo Area</i>					
Without YC1 Durango Equipment, YC2 Tahoe Equipment or YC3 Sport Equipment. Includes C91 Dome Lamp	2 2	UF2	N.A.	56.00	56.00
With YC1 Durango Equipment, YC2 Tahoe Equipment or YC3 Sport Equipment	2 2	UF2	N.A.	32.00	32.00
<i>Dome.</i> Included when YC1 Durango Equipment, YC2 Tahoe Equipment, YC3 Sport Equipment or UF2 Cargo Lamp is specified. Includes door actuated switches and bright lamp bezels	1 1	C91	N.A.	24.00	24.00
<b>Lighter, Cigarette:</b> Included when YC1 Durango Equipment, YC2 Tahoe Equipment or YC3 Sport Equipment is specified	0 0	U37	N.A.	22.00	22.00
<b>Lighting, Auxiliary:</b> Includes underhood light, ash tray light, glove box light, headlamp warning buzzer, C91 Dome Lamp and UF2 Cargo Lamp.					
Without YC1 Durango Equipment, YC2 Tahoe Equipment or YC3 Sport Equipment	5 3	TR9	N.A.	87.00	87.00
With YC1 Durango Equipment, YC2 Tahoe Equipment or YC3 Sport Equipment	5 3	TR9	N.A.	45.00	45.00
<b>Mirrors, Exterior:</b> LH and RH. Below Eye-line Type 9" x 6.5"					
Painted	5 2	D44	N.A.	44.00	44.00
Bright	5 2	D45	N.A.	72.00	72.00

(a) D & H Charges on vehicle and optional equipment include reimbursement to Chevrolet Motor Division for any tax that it has paid, incurred or agreed to pay thereon.

◇ State and local taxes not included.



# S10 PICKUP

## OPTIONS AND ACCESSORIES WHEN INSTALLED BY CHEVROLET

Prices shown are effective with initial shipment of 1982 model motor vehicles

Description	Added Weight (F R)	Option Number	Factory D&H(a)	List Price	Mfr's Suggested Retail Price
<b>OTHER OPTIONS</b>					
<b>Mirror, Visor:</b> RH. Included when YC2 Tahoe Equipment or YC3 Sport Equipment is specified.	1 0	D34	N.A.	7.00	7.00
<b>Moldings:</b>					
<i>Body Side and Wheel Opening.</i> Included when YC2 Tahoe Equipment, YC3 Sport Equipment or ZY8 Special Two-Tone Paint is specified. Includes lower side and rear moldings of black plastic with bright trim and B96 Wheel Opening Moldings.					
Without ZY7 Sport Two-Tone Paint.	5 7	B84	N.A.	131.00	131.00
With ZY7 Sport Two-Tone Paint.	5 7	B84	N.A.	67.00	67.00
<i>Guards, Door Edge.</i> Not available with ZY7 Sport Two-Tone Paint unless B84 Body Side and Wheel Opening Moldings are specified.	0 0	B93	N.A.	15.00	15.00
<i>Wheel Opening.</i> Included with YC2 Tahoe Equipment, B84 Body Side and Wheel Opening Moldings or YC3 Sport Equipment.	1 1	B96	N.A.	26.00	26.00
<b>Operating Convenience Package:</b> Includes AU3 Power Door Lock System and A31 Power Windows.	7 3	ZQ2	N.A.	281.00	281.00
<b>Paints, Exterior:</b> See Interior and Exterior Color Selection Chart for ordering information					
<i>Solid.</i>	0 0	ZY1	NO ADDITIONAL CHARGE		
<i>Sport Two-Tone.</i> Includes exterior ornamentation, included when YC3 Sport Equipment is specified.					
Without YC2 Tahoe Equipment Available only when VT3 or VG3 Bumpers are specified.	0 2	ZY7	N.A.	199.00	199.00
With YC2 Tahoe Equipment.	0 2	ZY7	N.A.	135.00	135.00
<i>Special Two-Tone.</i> Includes exterior ornamentation and B84 Body Side and Wheel Opening Moldings. Area below side moldings painted secondary color choice.					
Without YC2 Tahoe Equipment Available only when VT3 or VG3 Bumpers are specified.	5 7	ZY8	N.A.	275.00	275.00
With YC2 Tahoe Equipment.	5 7	ZY8	N.A.	144.00	144.00
<b>Payload Capacities:</b>					
<i>1500 lbs.</i> Available only when LR2 2.8 Liter 2 BBL V6 Engine is specified. Not available when QYF or QYG P195/75R14 Tires are specified. Includes F59 Stabilizer, extra capacity rear springs and J50 Brakes.	25 11	C3A	N.A.	173.00	173.00
<i>1000-lbs.</i>	0 0	C3B	NO ADDITIONAL CHARGE		
<b>Radio Equipment:</b>					
AM Radio.	6 2	U63	N.A.	104.00	104.00
AM /FM Radio.	5 1	U69	N.A.	173.00	173.00
AM /FM Stereo Radio.	19 5	U58	N.A.	256.00	256.00
AM /FM Stereo Radio with Stereo Cassette Tape and clock. Includes UE8 Digital Clock.	20 5	UN3	N.A.	425.00	425.00
<b>Seats:</b> See Interior and Exterior Color Selection Chart for availability and ordering information.					
<i>Vinyl Bench.</i> Not available when YC1 Durango Equipment, YC2 Tahoe Equipment or YC3 Sport Equipment is specified.	0 0	...	NO ADDITIONAL CHARGE		
<i>Custom Cloth Bench.</i> Not available when YC3 Sport Equipment is specified.	0 0	...	NO ADDITIONAL CHARGE		
<i>Custom Vinyl.</i> Not available when YC3 Sport Equipment is specified.					
With bench seat.			N.A.	48.00	48.00
Without YC1 Durango Equipment or YC2 Tahoe Equipment.	0 0	...	NO ADDITIONAL CHARGE		
With YC1 Durango Equipment or YC2 Tahoe Equipment.	0 0	...	NO ADDITIONAL CHARGE		
With High Back Bucket Seats. Driver and Passenger. Replaces vinyl bench seat. Includes color-keyed floor carpeting, bright full-length sill plates and floor insulation.					
Without YC2 Tahoe Equipment or YC1 Durango Equipment.	3 3	...	N.A.	166.00	166.00
With YC2 Tahoe Equipment or YC1 Durango Equipment.	3 3	...	N.A.	118.00	118.00
<i>Sport Custom Cloth High Back Bucket.</i> Included when YC3 Sport Equipment is specified.	3 3	...	NO ADDITIONAL CHARGE		
<b>Shock Absorbers:</b> Heavy-Duty. Front and Rear.	3 3	F51	N.A.	31.00	31.00

(a) D & H Charges on vehicle and optional equipment include reimbursement to Chevrolet Motor Division for any tax that it has paid, incurred or agreed to pay thereon.

◇ State and local taxes not included.

# S10 PICKUP

## OPTIONS AND ACCESSORIES WHEN INSTALLED BY CHEVROLET

Prices shown are effective with initial shipment of 1982 model motor vehicles

Description	Added Weight (F R)	Option Number	Factory D&H(s)	List Price	Mfr's Suggested Retail Price ◊
<b>OTHER OPTIONS</b>					
<b>Spare Tire. Full size</b>					
Highway					
With QYF P195 /75R14 Highway Fiberglass Belted Radial Ply Blackwall.....	0 13	ZK4	.97	30.00	30.97
With QYG P195 /75R14 Highway Fiberglass Belted Radial Ply Whitewall.....	0 13	ZK4	.97	39.00	39.97
With QXV P195 /75R14 Highway Steel Belted Radial Ply Blackwall.....	0 13	ZK4	1.12	44.00	45.12
With QVJ P195 /75R14 Highway Steel Belted Radial Ply Whitewall.....	0 13	ZK4	1.12	47.00	48.12
With QXX P205 /75R14 Highway Steel Belted Radial Ply Blackwall.....	0 13	ZK4	1.23	50.00	51.23
With QVT P205 /75R14 Highway Steel Belted Radial Ply Whitewall.....	0 13	ZK4	1.23	53.00	54.23
With QXZ P205 /75R14 Highway Steel Belted Radial Ply White Lettered.....	0 13	ZK4	1.23	68.00	69.23
With QYC P205 /70R14 Highway Steel Belted Radial Ply White Lettered.....	0 13	ZK4	1.11	70.00	71.11
With Q1A P195 /75R14 Highway (Front) On-Off Road (Rear) Steel Belted Radial Ply Blackwall.....	0 13	ZK4	1.12	44.00	45.12
On-Off Road					
With Q1A P195 /75R14 Steel Belted Radial Ply Blackwall Highway Front Tire, On-Off Road Rear Tire.....	0 13	ZK5	1.10	48.00	47.10
<b>Speed Control, Automatic: With Resume Speed.</b>					
Without MX1 Automatic Transmission.....	6 0	K35	N.A.	169.00	169.00
With MX1 Automatic Transmission.....	6 0	K35	N.A.	159.00	159.00
<b>Stabilizer Bar: Front. 1" diameter. Included with C3A 1500-lb Payload Capacity.....</b>					
	15 0	F59	N.A.	31.00	31.00
<b>Steering:</b>					
Power.....	29 -2	N40	N.A.	234.00	234.00
Power, Not Desired. Not available when Z82 Trailering Special is specified.....	0 0	N51	NO ADDITIONAL CHARGE		
<b>Steering Wheel: Comfortilt.....</b>	3 1	N33	N.A.	95.00	95.00
<b>Tank, Fuel: Auxiliary. RH Frame Mounted. Approximately 20-gallon capacity.....</b>					
	58 40	NK2	N.A.	39.00	39.00
<b>Trailering Special: Heavy-Duty. Not available when QYF or QYG P195 /75R-14 Tires are specified. Available only when LR2 2.8 Liter Engine, MX1 Transmission, V02 Radiator and Transmission Oil Cooler, F51 Shock Absorbers, N40 Power Steering, F51 H.D. Shocks, P11 Wheel Carrier, 3.08 Rear Axle and C3A Capacity Option is specified. Includes 7-Lead Wiring Harness, Platform Trailer Hitch and H.D. Flasher. Also requires K81 63-Amp Generator when C60 Air Conditioning is not specified. Optional rear bumper is recommended for trailering usage.....</b>					
	18 69	Z82	N.A.	187.00	187.00
<b>Tires: See following pages</b>					
<b>Wheel Trim: Bright Metal.</b>					
<i>Trim Rings. Not available when YC2 Tahoe Equipment or YC3 Sport Equipment are specified. Included with ZJ7 Styled Wheels, YC1 Durango Equipment or YC3 Sport Equipment.....</i>					
	2 2	P06	N.A.	52.00	52.00
<i>Wheel Covers. Not available when P06 Trim Rings, YC3 Sport Equipment or ZJ7 Styled Wheels are specified. Included with YC2 Tahoe Equipment</i>					
<i>Without YC1 Durango Equipment.....</i>	1 1	P01	N.A.	38.00	38.00
<i>With YC1 Durango Equipment.....</i>	1 1	P01	N.A.	(-14.00)	(-14.00)
<b>Wheels, Styled. Includes special hub caps and P06 Trim Rings. Included with YC3 Sport Equipment</b>					
<i>Without YC1 Durango or YC2 Tahoe Equipment.....</i>	7 7	ZJ7	N.A.	83.00	83.00
<i>With YC1 Durango.....</i>	7 7	ZJ7	N.A.	31.00	31.00
<i>With YC2 Tahoe Equipment.....</i>	7 7	ZJ7	N.A.	45.00	45.00
<b>Windows:</b>					
<i>Power. Included when Z02 Operating Convenience Package is specified.....</i>	5 2	A31	N.A.	166.00	166.00
<i>Sliding Rear.....</i>	4 5	A28	N.A.	100.00	100.00
<b>Windshield Wiper System: Intermittent.....</b>	1 0	CD4	N.A.	45.00	45.00

(a) D & H Charges on vehicle and optional equipment include reimbursement to Chevrolet Motor Division for any tax that it has paid, incurred or agreed to pay thereon.  
 ◊ State and local taxes not included.

# S10 PICKUP

## FACTORY INSTALLED TIRES

See Tire Chart for Available Front/Rear Combinations.  
 Spare tire available to match either front or rear tires.  
 Prices shown are effective with initial shipment of 1982 model motor vehicles

Tire Size and Type	Rim Width Included In Tire Option	Added Weight (F) (R)	Option Number	Factory D&H(a)	List Price	Mfr's Suggested Retail Price ◊
<b>Tires</b>						
<b>TUBELESS</b>						
P195 /75R14 Highway Fiberglass Belted Radial Ply Blackwall (Maximum Capacity 1270-lbs)	6.00	0 0	QYF		NO ADDITIONAL CHARGE	
P195 /75R14 Highway Belted Radial Ply Whitewall (Maximum Capacity 1270-lbs)	6.00	0 0	QYG	N.C.	62.00	62.00
P195 /75R14 Highway Steel Belted Radial Ply Blackwall (Maximum Capacity 1270-lbs)	6.00	5 5	QXV	.80	64.00	64.60
P195 /75R14 Highway Steel Belted Radial Ply Whitewall (Maximum Capacity 1270-lbs)	6.00	3 3	QVJ	.80	126.00	126.60
P205 /75R14 Highway Steel Belted Radial Ply Blackwall (Maximum Capacity 1270-lbs)	6.00	5 5	QXX	1.04	94.00	95.04
P205 /75R14 Highway Steel Belted Radial Ply Whitewall (Maximum Capacity 1390-lbs)	6.00	5 5	QVT	1.04	160.00	161.04
P205 /75R14 Highway Steel Belted Radial Ply White Lettered (Maximum Capacity 1390-lbs)	6.00	5 5	QXZ	1.04	182.00	183.04
P205 /70R14 Highway Steel Belted Radial Ply White Lettered (Maximum Capacity 1390-lbs)	6.00	5 5	QYC	.56	210.00	210.56
P195 /75R14 On-Off Road Steel Belted Radial Ply Blackwall (Front Highway, Rear On-Off Road) (Maximum Capacity 1390-lbs)	6.00	3 3	Q1A	.56	82.00	82.56

(a) D & H Charges on vehicle and optional equipment include reimbursement to Chevrolet Motor Division for any tax that it has paid, incurred or agreed to pay thereon.

◊ State and local taxes not included.