



US00D821923S

(12) **United States Design Patent**
Lee

(10) **Patent No.:** **US D821,923 S**
(45) **Date of Patent:** **** Jul. 3, 2018**

- (54) **VEHICLE BODY EXTERIOR**
- (71) Applicant: **GM GLOBAL TECHNOLOGY OPERATIONS LLC**, Detroit, MI (US)
- (72) Inventor: **Jaehoon Lee**, Prahran (AU)
- (73) Assignee: **GM GLOBAL TECHNOLOGY OPERATIONS LLC**, Detroit, MI (US)
- (**) Term: **15 Years**
- (21) Appl. No.: **29/593,911**
- (22) Filed: **Feb. 14, 2017**
- (51) **LOC (11) Cl.** **12-08**
- (52) **U.S. Cl.**
USPC **D12/92**
- (58) **Field of Classification Search**
USPC D12/86, 90-92, 88; D21/421, 433, 434;
296/181.1, 181.5
CPC B62D 35/00; B62D 25/00; B62D 25/06;
B62D 33/00
See application file for complete search history.

D609,608 S	2/2010	Boniface et al.
D611,387 S	3/2010	Thompson et al.
D611,879 S	3/2010	Kim et al.
D612,297 S	3/2010	Peters et al.
D613,645 S	4/2010	Song et al.
D615,458 S	5/2010	Thompson et al.
D618,595 S	6/2010	Ware et al.
D623,090 S	9/2010	Cox et al.
D627,262 S	11/2010	Ikeda et al.
D635,488 S	4/2011	Phipps
D644,147 S	8/2011	Suh et al.
D644,567 S	9/2011	Kozub
D657,718 S	4/2012	Zipfel et al.
D659,052 S	5/2012	Ware et al.
D659,053 S	5/2012	Ware et al.
D668,182 S	10/2012	Franco
D668,183 S	10/2012	Smart
D678,820 S	3/2013	Son et al.
D678,821 S	3/2013	Ikeda et al.
D680,909 S	4/2013	Munson et al.
D680,910 S	4/2013	David

(Continued)

Primary Examiner — Melody N Brown

(57) **CLAIM**

The ornamental design for a vehicle body exterior, as shown and described.

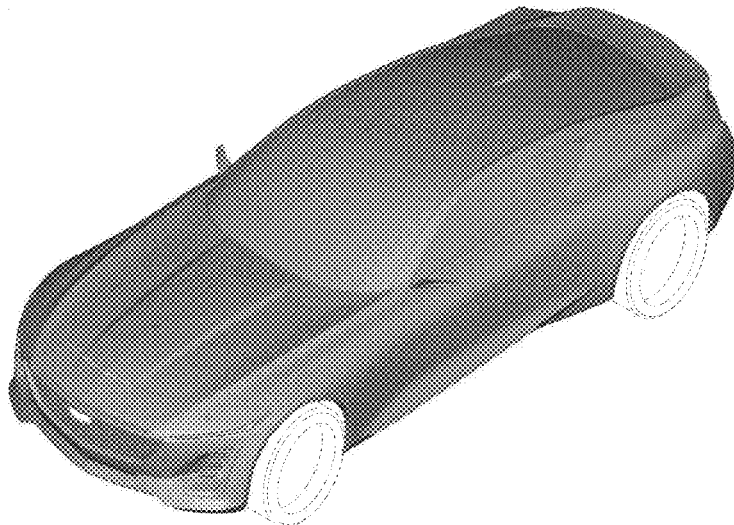
DESCRIPTION

FIG. 1 is a front and left side perspective view of a vehicle body exterior;
 FIG. 2 is a rear and left side perspective view thereof;
 FIG. 3 is a left side elevation view thereof, the right side elevation view is substantially a mirror image thereof;
 FIG. 4 is a front view thereof;
 FIG. 5 is a rear view thereof; and,
 FIG. 6 is a top view thereof.
 The broken lines shown throughout the drawing views are for illustrative purposes only and form no part of the claimed design.

1 Claim, 6 Drawing Sheets

(56) **References Cited**
U.S. PATENT DOCUMENTS

D570,742 S	6/2008	Takagi et al.
D592,105 S	5/2009	Dean et al.
D597,447 S	8/2009	Folden
D600,595 S	9/2009	Nakamura et al.
D601,925 S	10/2009	O'Donnell
D603,755 S	11/2009	Peters
D604,203 S	11/2009	O'Donnell
D605,082 S	12/2009	Munson
D605,083 S	12/2009	Manoogian, II et al.
D605,977 S	12/2009	Zipfel et al.
D605,978 S	12/2009	Wolff et al.
D608,249 S	1/2010	Peters
D608,690 S	1/2010	Folden et al.
D608,691 S	1/2010	Zak, Jr. et al.



(56)

References Cited

U.S. PATENT DOCUMENTS

D684,899 S	6/2013	Baker	D722,533 S	2/2015	Thole et al.	
D686,536 S	7/2013	McCabe et al.	D722,534 S	2/2015	Munson et al.	
D692,798 S	11/2013	Thurber	D724,510 S	3/2015	McMahan et al.	
D692,799 S	11/2013	Smith et al.	D725,001 S	3/2015	McMahan et al.	
D696,157 S	12/2013	Loeb	D726,591 S	4/2015	Jacob	
D699,629 S	2/2014	Ikeda et al.	D730,776 S	6/2015	Smart	
D700,871 S	3/2014	O'Donnell et al.	D730,783 S	6/2015	Henriques et al.	
D703,103 S	4/2014	Lee	D732,427 S	6/2015	Loeb	
D704,103 S	5/2014	Mack et al.	D732,429 S	6/2015	Loeb	
D705,132 S	5/2014	Ware et al.	D732,430 S	6/2015	Loeb	
D705,699 S	5/2014	Ware et al.	D732,431 S	6/2015	Loeb	
D713,298 S	9/2014	Dyson	D732,432 S	6/2015	Aengenheyster	
D713,764 S	9/2014	Ferlazzo	D732,433 S	6/2015	Aengenheyster	
D716,696 S	11/2014	Thole et al.	D732,435 S	6/2015	Mackay	
D716,706 S	11/2014	Thole et al.	D733,002 S	6/2015	Loeb	
D716,709 S	11/2014	Thole et al.	D735,611 S	8/2015	Aengenheyster	
D717,696 S	11/2014	Thole et al.	D735,627 S	8/2015	Smith et al.	
D718,189 S	11/2014	Krieg et al.	D736,451 S	8/2015	Smith et al.	
D718,683 S	12/2014	Thole et al.	D739,306 S	9/2015	McMahan et al.	
D722,282 S	2/2015	Loeb	D739,317 S	9/2015	McMahan et al.	
			D775,549 S *	1/2017	Karras	D12/92
			D780,064 S *	2/2017	Smith	D12/91
			D807,227 S *	1/2018	Chen	D12/91

* cited by examiner

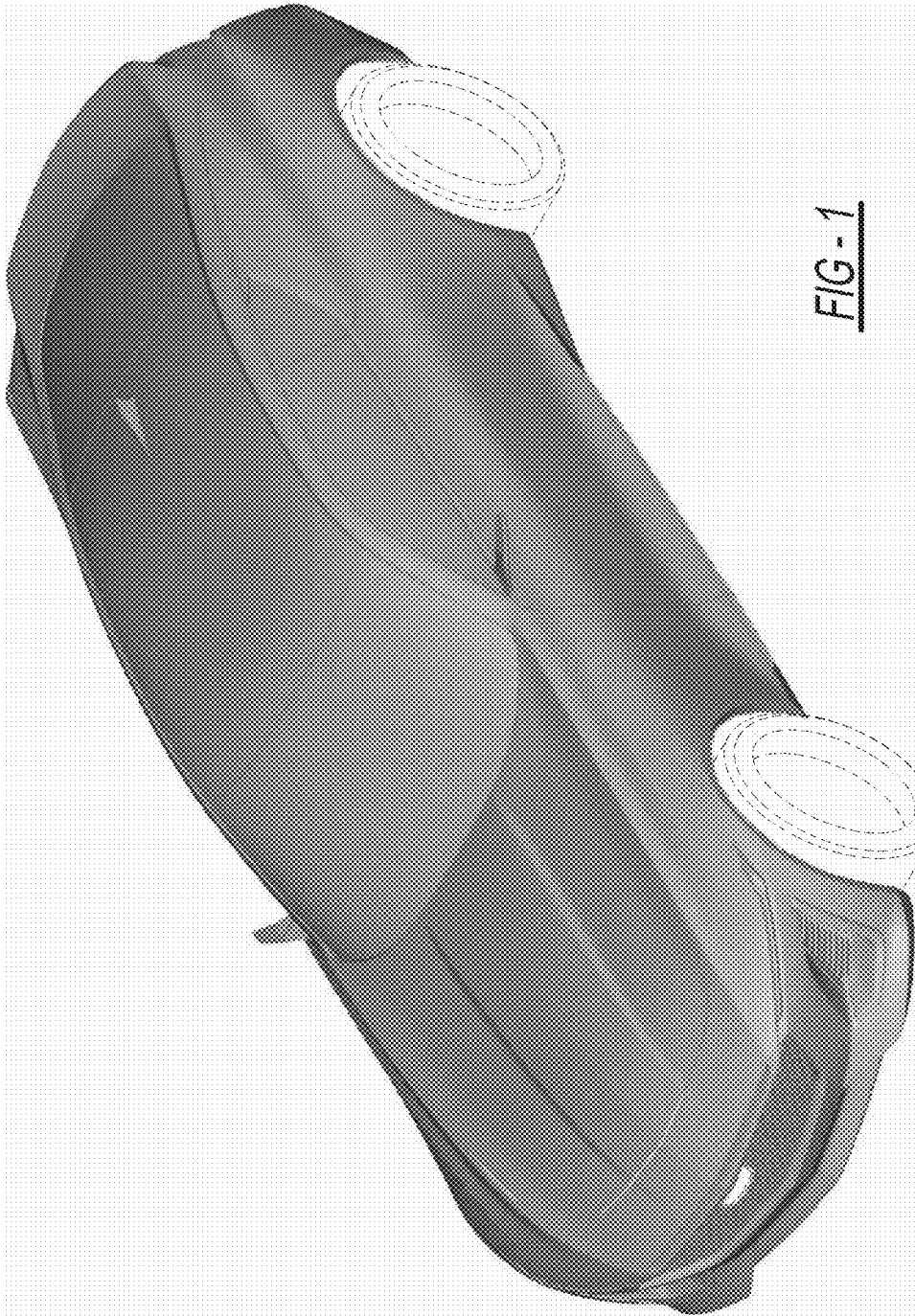


FIG - 1



FIG - 2

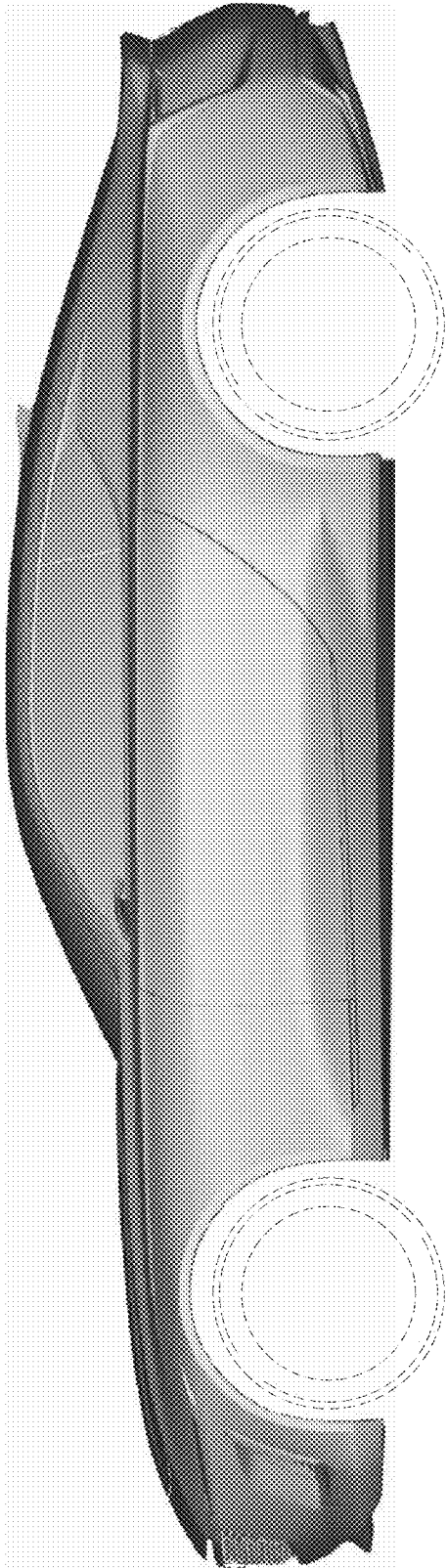


FIG - 3



FIG - 4



FIG - 5

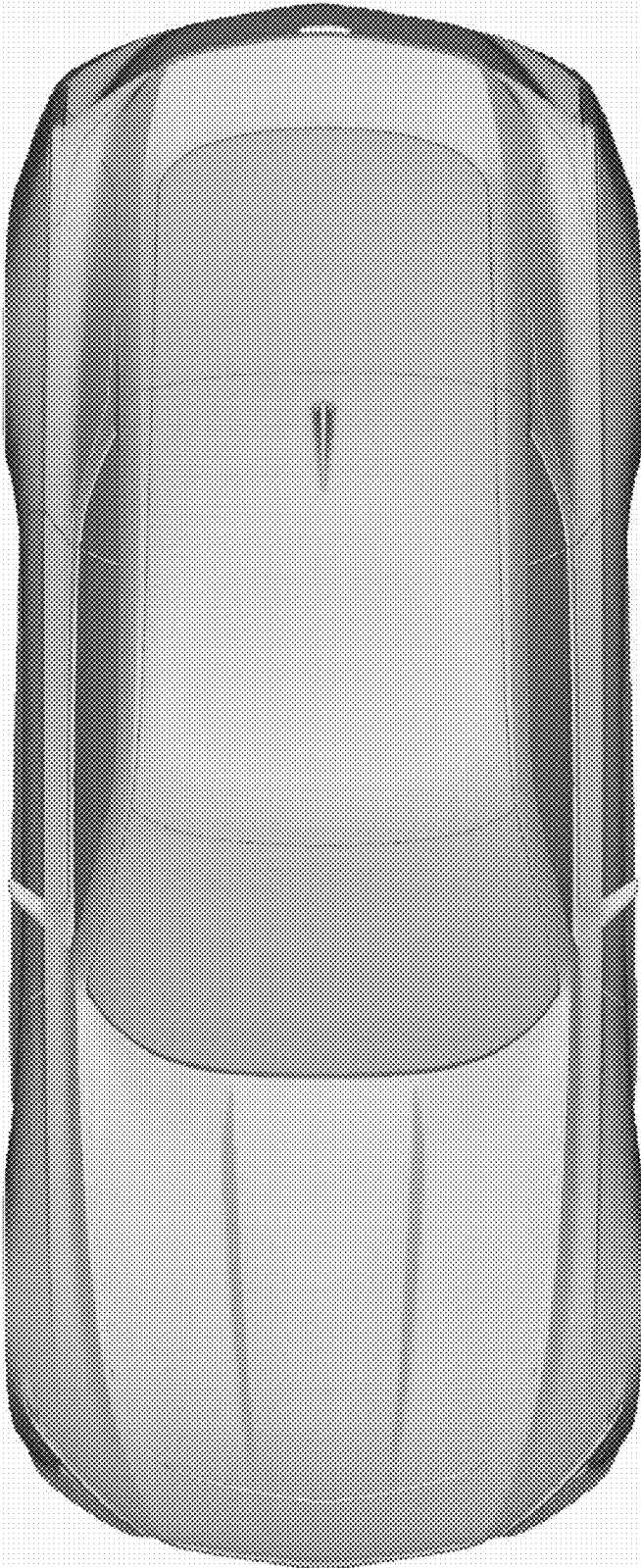


FIG - 6