



(19) **United States**
(12) **Patent Application Publication**
Sumcad et al.

(10) **Pub. No.: US 2023/0289166 A1**
(43) **Pub. Date: Sep. 14, 2023**

(54) **VEHICLE SOFTWARE UPDATING
TECHNIQUE**

(52) **U.S. Cl.**
CPC *G06F 8/65* (2013.01);
B60W 50/00 (2013.01)

(71) Applicant: **GM GLOBAL TECHNOLOGY
OPERATIONS LLC**, Detroit, MI (US)

(57) **ABSTRACT**

(72) Inventors: **Anthony J. Sumcad**, Rochester Hills, MI (US); **Russell A. Patenaude**, Macomb Township, MI (US); **Christopher L. Oesterling**, Troy, MI (US)

A system includes a source vehicle and a destination vehicle. The destination vehicle is configured to determine that the source vehicle and the destination vehicle are suitably close to exchange data through a wireless communications channel, compare current version numbers in the destination vehicle with approved version numbers in the source vehicle, approve an update for one or more current software components in the destination vehicle in response to one or more criteria, receive one or more approved software components at the destination vehicle from the source vehicle via the wireless communications channel in response to the current version numbers of the current software components approved for the update being different from corresponding ones of approved version numbers of the approved software components, and update the one or more current software components in the destination vehicle with the one or more approved software components received from the source vehicle.

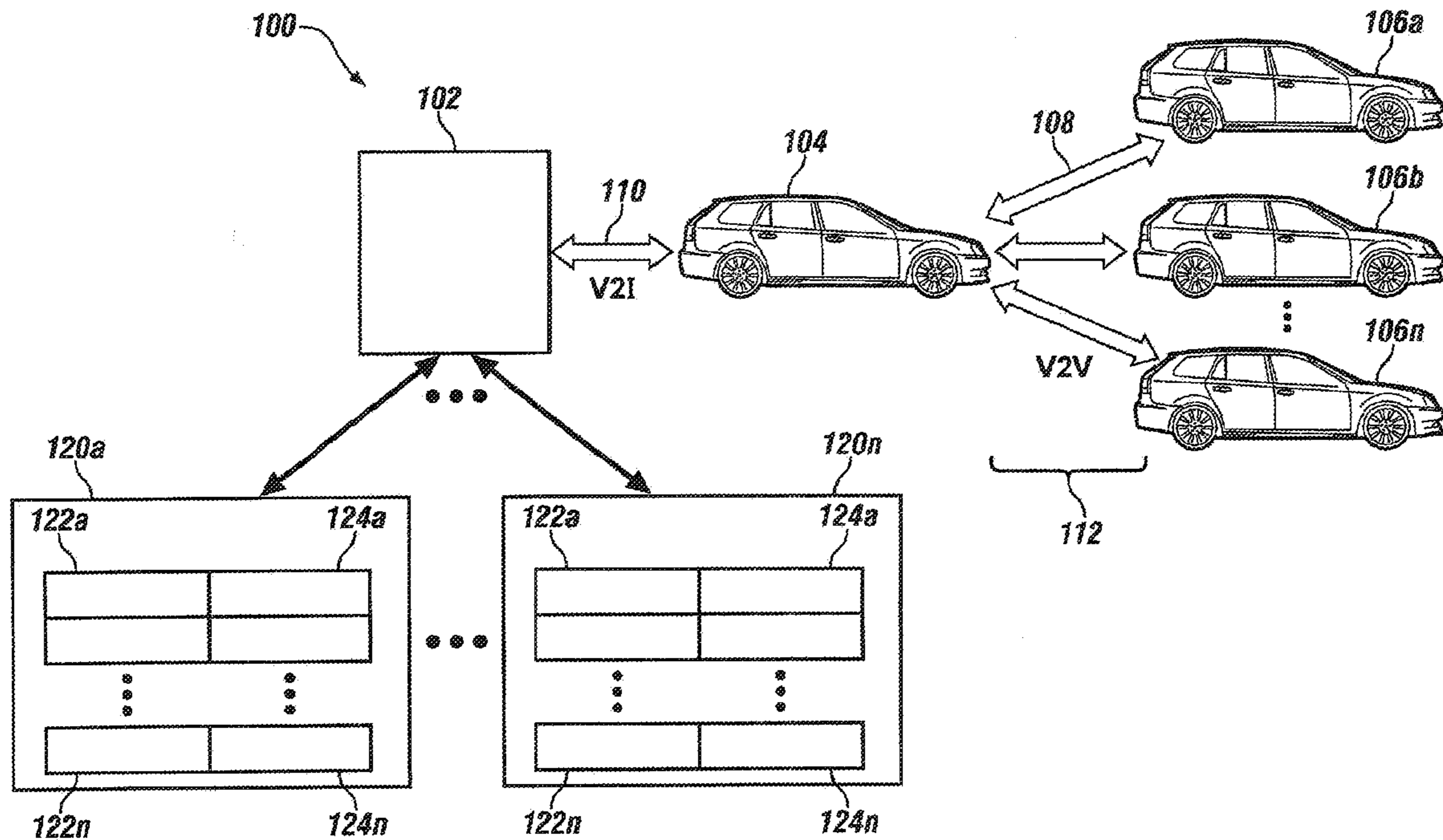
(73) Assignee: **GM GLOBAL TECHNOLOGY
OPERATIONS LLC**, Detroit, MI (US)

(21) Appl. No.: **17/590,124**

(22) Filed: **Feb. 1, 2022**

Publication Classification

(51) **Int. Cl.**
G06F 8/65 (2006.01)



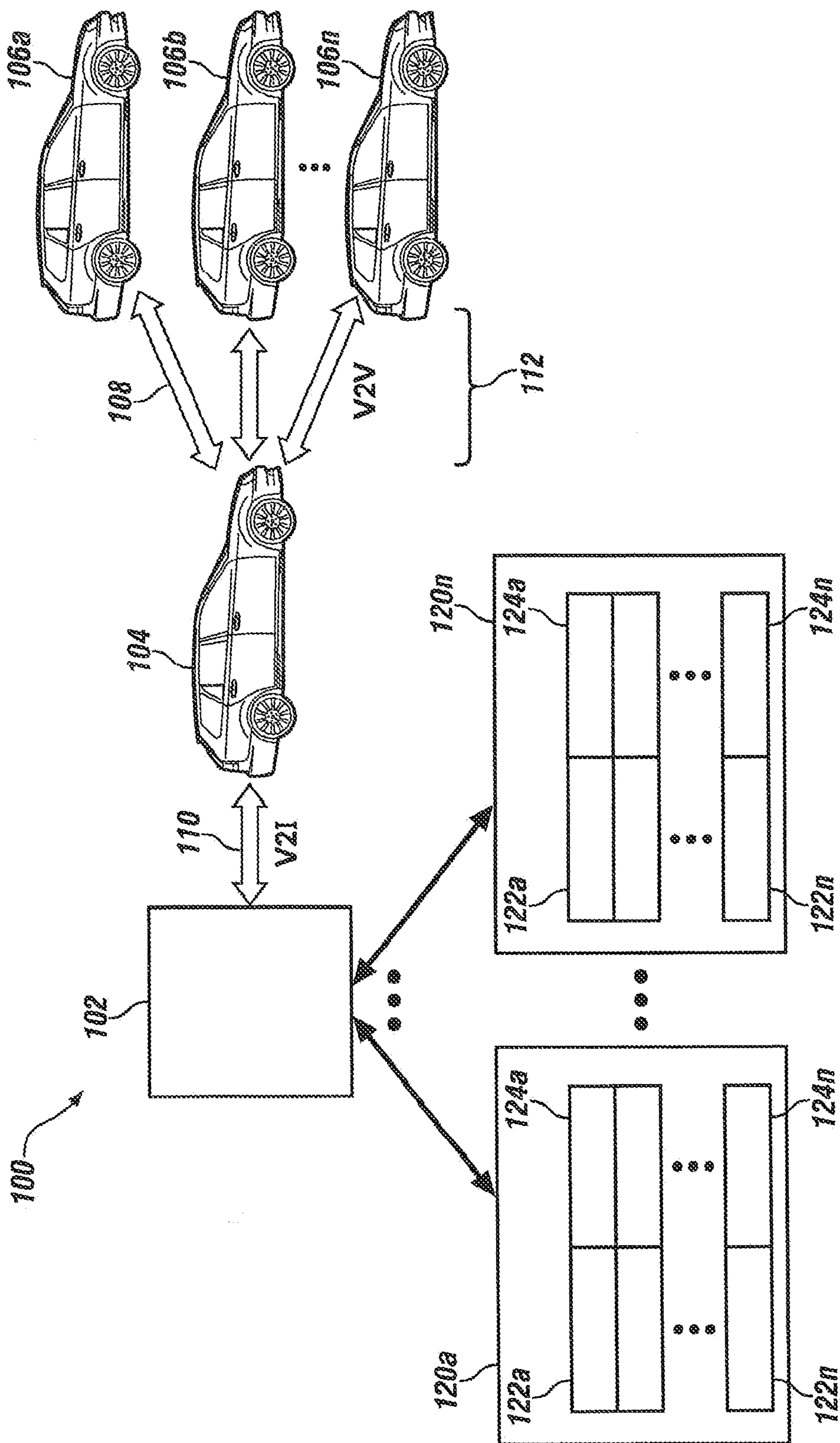


FIG. 1

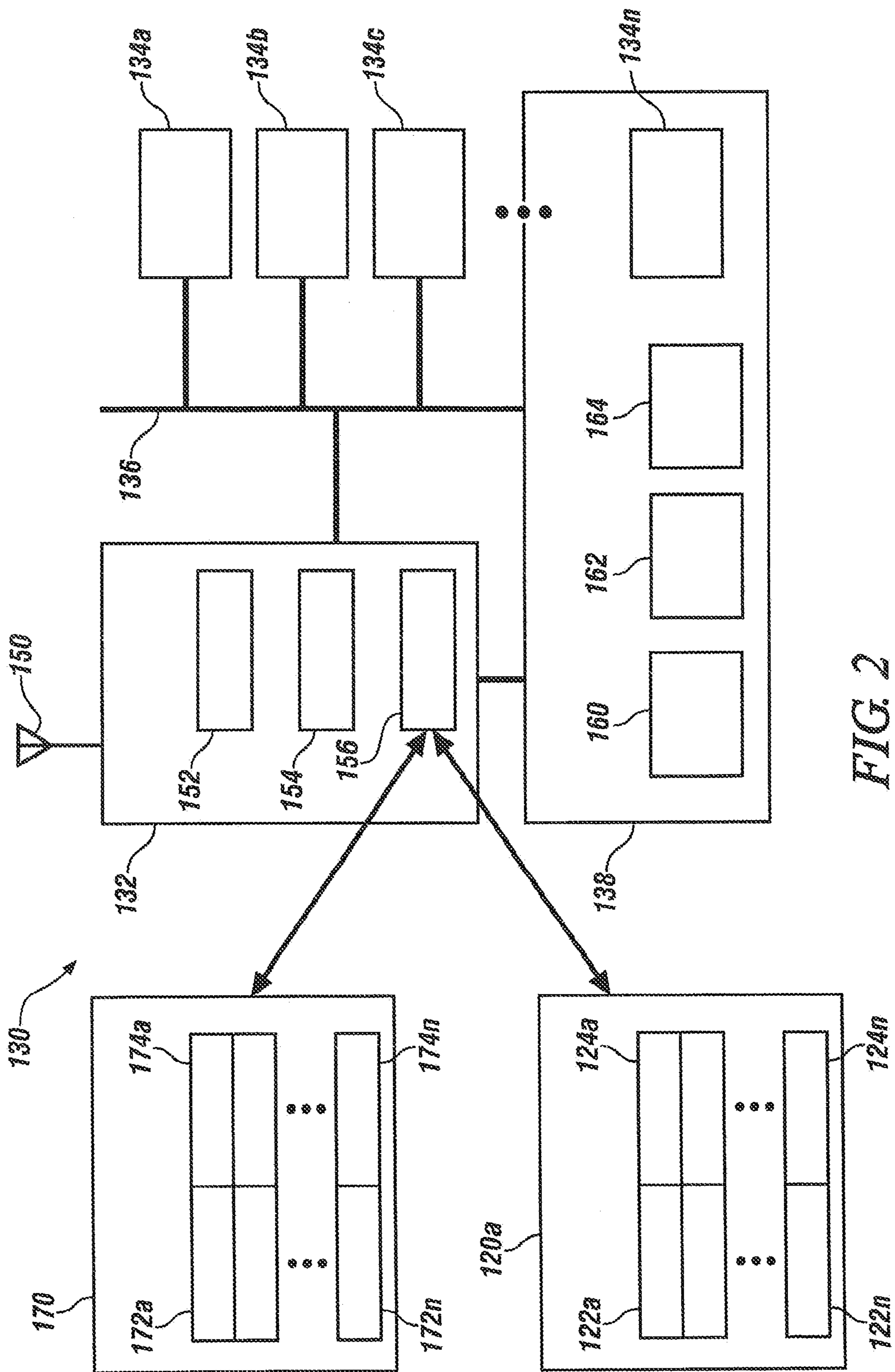


FIG. 2

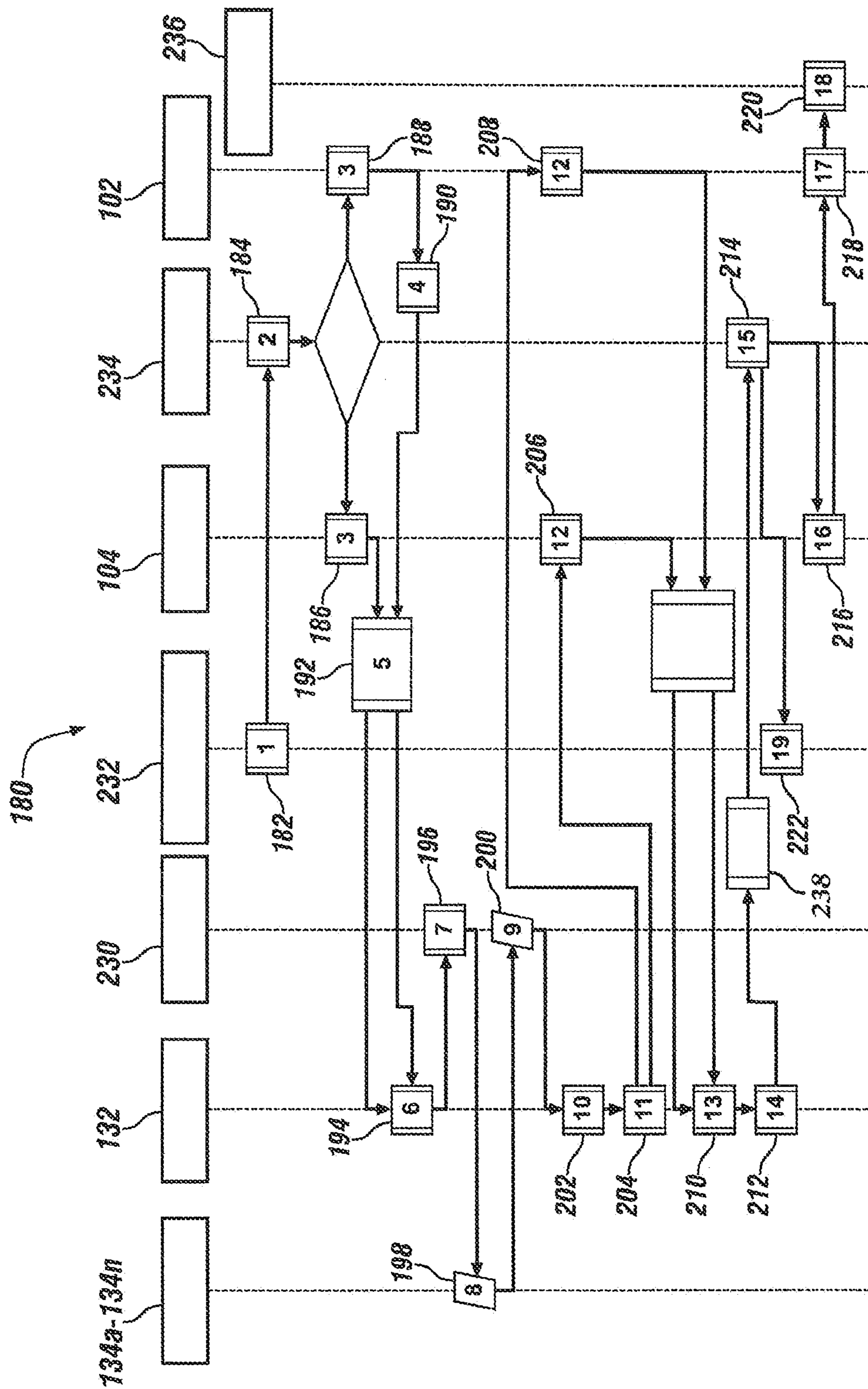


FIG. 3

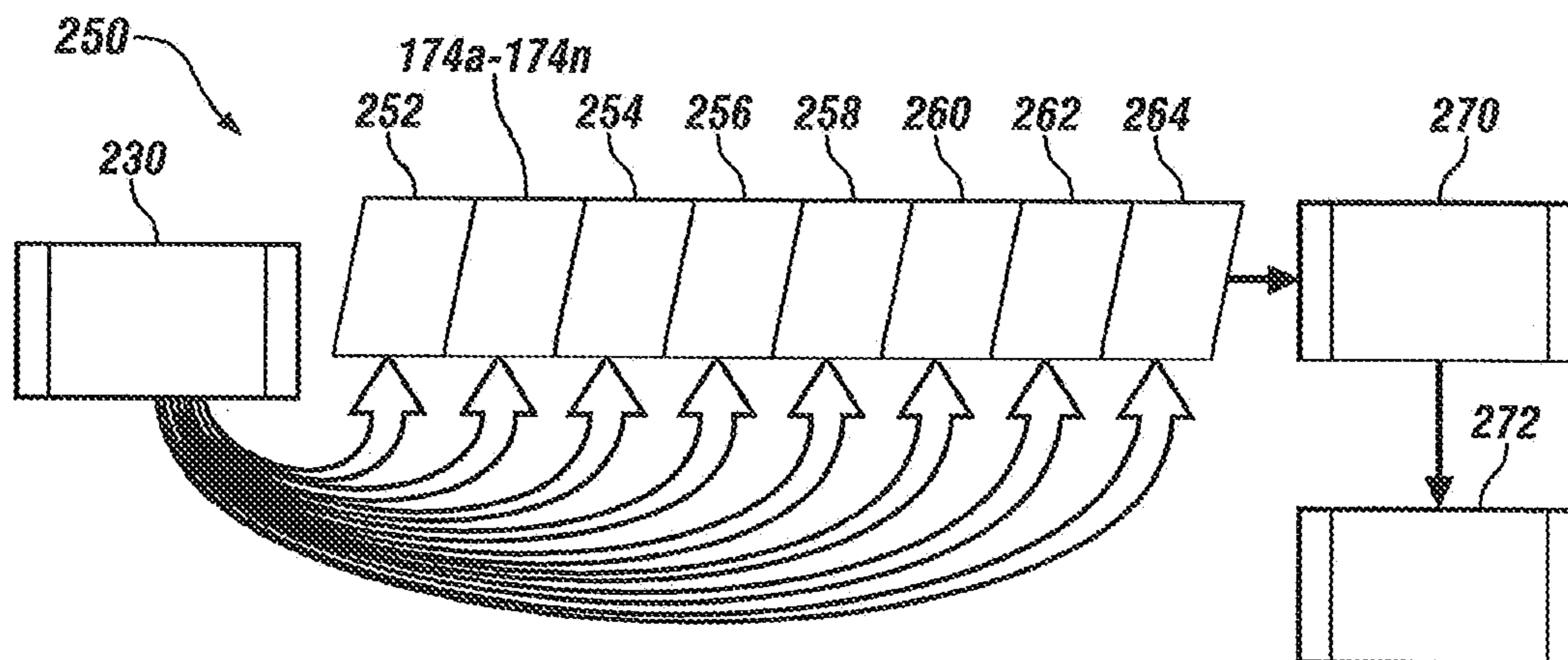


FIG. 4

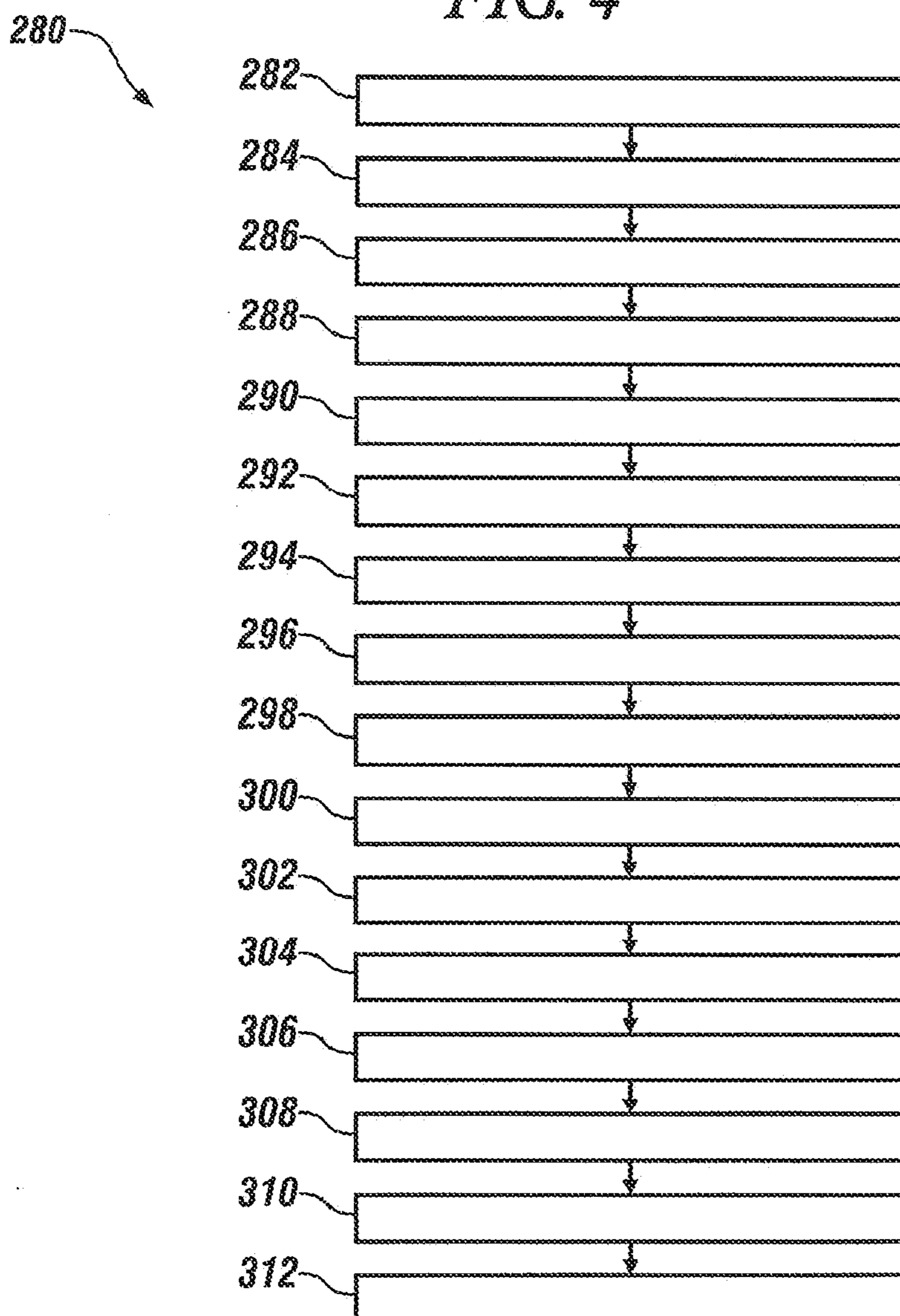


FIG. 5

VEHICLE SOFTWARE UPDATING TECHNIQUE

INTRODUCTION

[0001] The present disclosure relates to a system and a method for a vehicle software updating technique.

BACKGROUND

[0002] Modern vehicles are becoming more sophisticated by incorporating increasing amounts of complex electronics. The complex electronics often incorporates software that can be adjusted as improvements are made and errors are corrected. Issues arise when a vehicle has not been brought in for service over extended periods. Some vehicle owners may not realize that updates are available and thus do not take advantage of the updates. Other vehicle owners may utilize service stations that lack reliable access to the updates.

[0003] Accordingly, those skilled in the art continue with research and development efforts in the field of vehicle software updating when connectivity is not readily available and/or unreliable.

SUMMARY

[0004] A system is provided herein. The system includes a source vehicle and a destination vehicle. The source vehicle is configured to store a plurality of approved software components and a plurality of approved version numbers. The destination vehicle includes a transceiver, a plurality of circuits, a plurality of current software components installed within the plurality of circuits, and a plurality of current version numbers of the plurality of current software components. The destination vehicle is configured to determine that the source vehicle and the destination vehicle are suitably close to exchange data through the transceiver via a wireless communications channel, compare the plurality of current version numbers in the destination vehicle with the plurality of approved version numbers in the source vehicle, approve an update for one or more of the plurality of current software components in response to one or more criteria, receive one or more of the plurality of approved software components at the destination vehicle from the source vehicle via the wireless communications channel in response to the plurality of current version numbers of the plurality of current software components approved for the update being different from corresponding ones of the plurality of approved version numbers, and update the one or more current software components in the destination vehicle with the one or more approved software components received from the source vehicle.

[0005] In one or more embodiments of the system, the one or more criteria includes one or more manual selections of the plurality of current software components to be updated.

[0006] In one or more embodiments of the system, the one or more criteria includes one or more of a bandwidth of the wireless communications channel, a source throughput of the source vehicle to transmit the plurality of approved software components, a destination throughput of the destination vehicle to receive the plurality of approved software components and perform the update, a time available to perform the update, and a priority among the plurality of approved software components.

[0007] In one or more embodiments of the system, the destination vehicle is further configured to transfer to the source vehicle a list of the plurality of current software components and the plurality of approved software components installed in the destination vehicle after the update has finished, and the source vehicle is further configured to transfer the list to a repository external to the source vehicle.

[0008] In one or more embodiments of the system, the list includes a plurality of part numbers of the plurality of circuits in the destination vehicle.

[0009] In one or more embodiments of the system, at least one of the plurality of approved software components comprises code executable in at least one of the plurality of circuits in the destination vehicle.

[0010] In one or more embodiments of the system, at least one of the plurality of approved software components comprises calibration information utilized in at least one of the plurality of circuits in the destination vehicle.

[0011] In one or more embodiments of the system, the source vehicle is further configured to transfer to the destination vehicle a lighting condition within the source vehicle, and the destination vehicle is further configured to automatically apply the lighting condition received from the source vehicle.

[0012] In one or more embodiments of the system, the reception of one or more of the plurality of approved software components at the destination vehicle is in response to the source vehicle and the destination vehicle matching each other in make, model, and year.

[0013] A method for vehicle software updates is provided herein. The method includes storing in a source vehicle a plurality of approved software components and a plurality of approved version numbers, and moving one or more of the source vehicle and a destination vehicle suitably close to each other. The destination vehicle includes a transceiver, a plurality of circuits, a plurality of current software components installed within the plurality of circuits, and a plurality of current version numbers of the plurality of current software components. The method further includes determining that the source vehicle and the destination vehicle are suitably close to exchange data through the transceiver via a wireless communications channel, comparing the plurality of current version numbers in the destination vehicle with the plurality of approved version numbers in the source vehicle, approving an update for one or more of the plurality of current software components in response to one or more criteria, receiving one or more of the plurality of approved software components at the destination vehicle from the source vehicle via the wireless communications channel in response to the plurality of current version numbers of the plurality of current software components approved for the update being different from corresponding ones of the plurality of approved version numbers, and updating the one or more current software components in the destination vehicle with the one or more approved software components received from the source vehicle.

[0014] In one or more embodiments of the method, the one or more criteria includes one or more manual selections of the plurality of current software components to be updated.

[0015] In one or more embodiments of the method, the one or more criteria includes one or more of a bandwidth of the wireless communications channel, a source throughput of the source vehicle to transmit the plurality of

approved software components, a destination throughput of the destination vehicle to receive the plurality of approved software components and perform the updating, a time available to perform the updating, and a priority among the plurality of approved software components.

[0016] In one or more embodiments, the method further includes transferring from the destination vehicle to the source vehicle a list of the plurality of current software components and the plurality of approved software components installed in the destination vehicle after the update has finished, and transferring the list from the source vehicle to a repository external to the source vehicle.

[0017] In one or more embodiments of the method, the list includes a plurality of part numbers of the plurality of circuits in the destination vehicle.

[0018] In one or more embodiments of the method, at least one of the plurality of approved software components comprises code executable in at least one of the plurality of circuits in the destination vehicle.

[0019] In one or more embodiments of the method, at least one of the plurality of approved software components comprises calibration information utilized in at least one of the plurality of circuits in the destination vehicle.

[0020] In one or more embodiments, the method further includes transferring from the source vehicle to the destination vehicle a lighting condition within the source vehicle, and automatically applying in the destination vehicle the lighting condition received from the source vehicle.

[0021] A vehicle is provided herein. The vehicle includes a transceiver, a plurality of circuits, a plurality of current software components installed within the plurality of circuits, a plurality of current version numbers of the plurality of current software components, and a vehicle task manager. The transceiver is configured to exchange data with a source vehicle via a wireless communications channel. The vehicle task manager is configured to determine that the source vehicle and the vehicle are suitably close to exchange data through the transceiver via the wireless communications channel. The source vehicle is configured to store a plurality of approved software components and a plurality of approved version numbers. The vehicle task manager is further configured to compare the plurality of current version numbers in the vehicle with the plurality of approved version numbers in the source vehicle, approve an update for one or more of the plurality of current software components in response to one or more criteria, receive one or more of the plurality of approved software components at the vehicle from the source vehicle via the wireless communications channel in response to the plurality of current version numbers of the plurality of current software components approved for the update being different from corresponding ones of the plurality of approved version numbers, and update the one or more current software components in the vehicle with the one or more approved software components received from the source vehicle.

[0022] In one or more embodiments, the vehicle is further configured to transfer to the source vehicle a list of the plurality of current software components and the plurality of approved software components installed in the vehicle after the update has finished.

[0023] In one or more embodiments of the vehicle, the list includes a plurality of part numbers of the plurality of circuits in the vehicle.

[0024] The above features and advantages and other features and advantages of the present disclosure are readily apparent from the following detailed description of the best modes for carrying out the disclosure when taken in connection with the accompanying drawings.

BRIEF DESCRIPTION OF THE DRAWINGS

[0025] FIG. 1 is a schematic diagram of a system in accordance with one or more exemplary embodiments.

[0026] FIG. 2 is a schematic diagram of a vehicle in accordance with one or more exemplary embodiments.

[0027] FIG. 3 is a schematic diagram of an update sequence in accordance with one or more exemplary embodiments.

[0028] FIG. 4 is a schematic diagram of a polling operation in accordance with one or more exemplary embodiments.

[0029] FIG. 5 is a flow diagram of a method for vehicle-to-vehicle software updates in accordance with one or more exemplary embodiments.

DETAILED DESCRIPTION

[0030] Embodiments, of the present disclosure generally provide a system and a method for a vehicle software updating technique. Vehicle-to-vehicle (V2V) connections and vehicle-to-infrastructure (V2I) connections may be used to transfer approved software components into the field for updating destination vehicles already in the field with current software components. In situations where the destination vehicles are sufficiently close to a repository of the approved software components, the updates take place by transmitting the approved software components from the repository directly to the destination vehicles via wireless communications networks and/or wired communications networks (e.g., a vehicle-to-infrastructure connection or an over-the-air connection). In situations where the destination vehicles are too far from the repositories to connect via the wireless communications networks, one or more source (or seed) vehicles may be initially updated and moved closer to the destination vehicles. The approved software components in the source vehicles may be transferred via a wireless communications network (e.g., a vehicle-to-vehicle connection) from the source vehicles to the destination vehicles.

[0031] After selected approved software components are received in a particular destination vehicle, one or more of the approved software components are used to update the current components in the particular destination vehicle. In certain situations, the update may involve changing every software component in the particular destination vehicle. In other situations, the update may involve changing as few as a single software component in the particular destination vehicle. An update may include full replacement of a current software component, a revision of the current software component, or a removal of the current software component. Some software components may involve code that is executable in the electronic control modules of the vehicles. Other software components may involve calibration information, configuration information, performance information, manifests, infotainment systems catalogs, and the like.

[0032] Referring to FIG. 1, a schematic diagram of a system 100 is shown in accordance with one or more exemplary embodiments. The system 100 generally includes a repository 102, one or more source vehicles (one shown) 104, one

or more destination vehicles **106a-106n**, a wireless communications channel **108**, and an optional wired communications channel **110**. The source vehicle **104** may move between near the repository **102** and near the destination vehicles **106a-106n**. While remote from the repository **102** (e.g., up to several miles away), a separation distance **112** (e.g., generally less than a mile) may exist between the source vehicle **104** and one or more of the destination vehicles **106a-106n**.

[0033] The repository **102** may store multiple component sets **120a-120n** of software components. Each component set **120a-120n** may be suitable for use in the vehicles **104** and **106a-106n** of a particular make, model, and year. Each component set **120a-120n** may include multiple approved software components **122a-122n**. Each approved software component **122a-122n** may have a respective approved version number **124a-124n**.

[0034] The repository **102** implements a storage facility. The repository **102** may be a building, a mobile platform, a computer, a communications network, or the like. The repository **102** is operational to store the component sets **120a-120n** and transmit one or more of the approved software components **122a-122n** and one or more corresponding approved version numbers **124a-124n** via the wireless communications channel **108** and/or the wired communications channel **110** directly to the vehicles **104** and/or **106a-106n**.

[0035] The source vehicle **104** implements a mobile vehicle. The source vehicle **104** may include, but is not limited to a passenger car, a motorcycle, a truck, a bus, a sports utility vehicle, a recreational vehicle, a construction vehicle, a train, a marine vessel, an aircraft, and farm equipment. Other vehicles may be implemented to meet a design criteria of a particular application.

[0036] The source vehicle **104** is operational to receive and store the approved software components **122a-122n** and the approved version numbers **124a-124n** for one or more component sets **120a-120n** from the repository **102**. In various embodiments, the source vehicle **104** may update internal software components using the approved software components **122a-122n** of a compatible component set **120a-120n** as received from the repository **102**. In some embodiments, the source vehicle **104** may store one or more of the component sets **120a-120n** without using the approved software components **122a-122n** contained therein.

[0037] The source vehicle **104** is operational to establish vehicle-to-vehicle connections with one or more destination vehicle **106a-106n** while the source vehicle **104** is within the separation distance **112** from the destination vehicles **106a-106n**. The separation distance **112** is generally based on a longest distance over which the wireless communications channel **108** operates. Once the connections have been established, the source vehicle **104** communicates with the destination vehicles **106a-106n** to determine which of the component sets **120a-120n** are suitable to update the destination vehicles **106a-106n**. The source vehicle **104** subsequently transmits the approved version numbers **124a-124n** and one or more of the approved software components **122a-122n** of the suitable component sets **120a-120n** to the destination vehicles **106a-106n**.

[0038] After the destination vehicles **106a-106n** have updated, the source vehicle **104** may receive a respective list from each updated destination vehicle **106a-106n**. The

lists generally identify the current software components that were not updated in the destination vehicles **106a-106n**, and the approved software components **122a-122n** that were used to update the destination vehicles **106a-106n**. The lists may also include, but are not limited to, vehicle identification numbers, circuit identification numbers, vehicle mileage, diagnostic results, and the like.

[0039] The destination vehicles **106a-106n** implement mobile vehicles. The destination vehicles **106a-106n** may include, but are not limited to passenger cars, motorcycles, trucks, busses, sports utility vehicles, recreational vehicles, construction vehicles, trains, marine vessels, aircraft, and farm equipment. Other vehicles may be implemented to meet a design criteria of a particular application.

[0040] The destination vehicles **106a-106n** are operational to receive the approved version number **124a-124n** and one or more approved software components **122a-122n** of an appropriate component set **120a-120n**. The destination vehicles **106a-106n** are also operational to compare the approved version numbers **124a-124n** with current version numbers of the current software components installed internally. The destination vehicles **106a-106n** may subsequently update one or more current software components with the one or more approved software components **122a-122n** based on the criteria.

[0041] Selection between a full update and a partial update is based on the criteria. The criteria may include, but is not limited to, one or more manual selections of which current software components are to be updated, a bandwidth of the wireless communications channel **108**, a bandwidth of the wired communications channel **110**, a source throughput of the source vehicle **104** to transmit the approved software components **122a-122n**, a destination throughput of the destination vehicle **106a-106n** to receive the approved software components **122a-122n** and perform the update, a time available to perform the update, and a priority among the approved software components **122a-122n**. Other criteria may be implemented to meet the design criteria of a particular application. By way of example, where time and bandwidth are plentiful, the destination vehicles **106a-106n** may receive the approved software components **122a-122n** and perform a full update. In another example where time is limited, the destination vehicles **106a-106n** may receive a few highest-priority approved software components **122a-122n** and perform a partial update.

[0042] Once a destination vehicle **106a-106n** has completed an update, the destination vehicle **106a-106n** may generate and transmit a corresponding list back to the source vehicle **104**. The source vehicle **104** may transmit the lists to the repository **102** the next time the repository **102** is within range for an over-the-air transmission. The repository **102** transfers the lists to an appropriate location (e.g., a data center) for analysis. The analysis may determine the current status of the vehicles **104** and **106a-106n**, how much time has lapsed since a newly approved component set **120a-120n** is available until some percentage of the fleet of vehicles **104** and **106a-106n** has been updated to the newly approved component set **120a-120n**, configuration histories of the vehicles **104** and **106a-106n**, where opportunities exist to share, show, and/or sell new or improved features, and risk analysis tied to outdated or uncertain software components.

[0043] The wireless communications channel **108** implements one or more wireless networks. The wireless commu-

nications channel **108** operates on one or more different standards or protocols such as, but not limited to, Wideband Code Division Multiple Access (WCDMA), Long-Term Evolution (LTE), 3rd Generation Partnership Project (3GPP) and/or 5th Generation (5G) cellular. The wireless communication is performed according to one or more wireless protocols, such as any of the IEEE 802.11 protocols, Worldwide Interoperability for Microwave Access (WiMAX), and/or Bluetooth. The wireless communications channel **108** supports vehicle-to-everything (V2X) connections, the vehicle-to-vehicle connections, and/or the vehicle-to-infrastructure connections.

[0044] The wired communications channel **110** implements one or more wired networks. The wired communications channel **110** operates on one or more different standards such as, but not limited to, Ethernet, Internet, USB and/or FireWire. The wired communications channel **110** may involve an onboard diagnostics (OBD) port and/or a Tech-2 tool port. Other wired communications standards may be implemented to meet the design criteria of a particular application.

[0045] Referring to FIG. 2, a schematic diagram of an example implementation of a vehicle **130** is shown in accordance with one or more exemplary embodiments. The vehicle **130** illustrated may be representative of the source vehicle **104** and the destination vehicles **106a-106n**. The vehicle **130** generally includes a telematics control platform **132**, multiple circuits **134a-134n**, a vehicle bus **136**, and an infotainment system **138**. The telematics control platform **132** may include an antenna **150**, a transceiver **152**, one or more processors (one shown) **154**, and a memory **156**. The infotainment system **138** includes one or more displays (one shown) **160**, one or more speakers (one shown) **162**, multiple buttons (one shown) **164**, and one or more of the circuits **134a-134n** (e.g., **134n**).

[0046] The telematics control platform **132** implements a transceiver device that enables wireless voice and/or data communication over the wireless communications channel **108** and/or the wired communications channel **110**. The wireless/wired communication enables the vehicle **130** to communicate with repository **102**, other telematics-enabled vehicles **104** and **106a-106n**, and/or other devices.

[0047] The circuits **134a-134n** implement a variety of electronic control modules in the vehicle **130**. The individual circuits **134a-134n** are operational to control various aspects of engine operation, such as fuel ignition and ignition timing. Some of the circuits **134a-134n** regulate operations of one or more components of the vehicle powertrain, and govern various electrical components, such as power door locks and headlights. Other circuits **134a-134n** perform onboard diagnostics that provide a myriad of real-time data, such as that received from various sensors including vehicle emissions sensors, and generate a standardized series of diagnostic trouble codes that allow a technician to rapidly identify and remedy malfunctions within the vehicle **130**. The circuits **134a-134n** may perform other functions to meet the design criteria of a particular application.

[0048] One or more of the circuits **134a-134n** may utilize the current software components **172a-172n** during normal operation. The circuits **134a-134n** that use the current software components **172a-172n** may be individually updated with the approved software components **122a-122n** and the approved version numbers **124a-124n** previously loaded into the memory **156**. The telematics control platform **132**

may request that the circuits **134a-134n** report the loaded current version numbers **174a-174n** and approved version numbers **124a-124n** as a snapshot of current configurations of the circuits **134a-134n**. The telematics control platform **132** may also request that each circuit **134a-134n** report a respective hardware part number and diagnostics information as part of the snapshot.

[0049] The vehicle bus **136** implements an onboard communication bus. The vehicle bus **136** connects to the telematics control platform **132**, the circuits **134a-134n**, and the infotainment system **138**. Data may be exchanged among the telematics control platform **132**, the circuits **134a-134n**, and the infotainment system **138** via the vehicle bus **136**. In various embodiments, the vehicle bus **136** implements one or more of a controller area network (CAN) bus, a WIFI bus, a Bluetooth bus, a Bluetooth Low Energy bus, a media oriented system transfer (MOST) bus, a local interconnection network, a local area network, an Ethernet bus, and/or other busses that conform with known International Organization for Standardization (ISO), SAE International, and the like. In various embodiments, communications via the vehicle bus **136** may also be available through the onboard diagnostics port and/or the Tech-2 tool port.

[0050] The infotainment system **138** implements a human machine interface configured to present information to users (or people) within the vehicle **130**, and receive inputs from the users. The infotainment system **138** may include one or more of the circuit **134a-134n**, the displays **160**, the speakers **162**, and the buttons **164**. The infotainment system **138** is operational to provide information-related services such as onboard video camera images, vehicle features, music, web pages, movies, television programs, video games and the like. Visual information generated by the infotainment system **138** may be presented via the display **160**. Audio information generated by the infotainment system **138** may be presented via the speakers **162**. Manual user inputs may be received via the buttons **164**.

[0051] The antenna **150** implements a radio-frequency antenna. The antenna **150** is coupled to the transceiver **152**. The antenna **150** is operational to provide a bidirectional exchange of data between the vehicle **130** and the source vehicle **104** and the repository **102**. In some situations, the antenna **150** may receive the component sets **120a-120n** used to update the vehicle **130**. In other situations, the antenna **150** may transmit the lists generated within the vehicle **130** back to the source vehicle **104** and/or the repository **102**.

[0052] The transceiver **152** implements a bidirectional wireless and/or wired communication device. The transceiver **152** utilizes cellular communication according to standards such as LTE or 5G and thus includes the transceiver **152** for data transmission and reception via the antenna **150**. The transceiver **152** may be configured to communicate according to one or more wireless protocols, such as any of the IEEE 802.11 protocols, WiMAX, Bluetooth, 3GPP, and Transmission Control Protocol/Internet Protocol (TCP/IP).

[0053] The processor **154** implements processing circuitry capable of processing electronic instructions including microprocessors, microcontrollers, host processors, controllers, vehicle communication processors, and application specific integrated circuits (ASICs). The processor **154** may be a dedicated processor used only for the telematics

control platform **132** or shared with other vehicle systems. The processor **154** executes diverse types of digitally-stored instructions, such as software programs and/or firmware programs stored in the memory **156**, which enable the telematics control platform **132** to provide a variety of services. [0054] The memory **156** implements a storage device. The memory **156** includes nonvolatile and volatile computer readable memory. The memory **156** is configured to receive and store a current component set **170** and a component set **120a-120n** (e.g., **120a**) suitable for the circuits **134a-134n** in the vehicle **130**. The current component set **170** includes current software components **172a-172n** and corresponding current version numbers **174a-174n**. The current software components **172a-172n** are installed in the circuits **134a-134n** prior to the update. The component set **120a** includes the approved software components **122a-122n** and the corresponding approved version number **124a-124n**. The approved software components **122a-122n** are used to update the current software components **172a-172n**.

[0055] Referring to FIG. 3, a schematic diagram of an example update sequence **180** is shown in accordance with one or more exemplary embodiments. The sequence **180** is performed by the system **100**. The sequence **180** includes steps **182** to **214**, as illustrated. The order of the steps is shown as a representative example. Other step orders may be implemented to meet the criteria of a particular application.

[0056] The system **100** may include a vehicle task manager **230**, a handheld device **232**, a web application **234**, and a back office **236**. The vehicle task manager **230** is implemented in the vehicle **130** and is configured to execute various sequences of tasks, such as updating the current software components **172a-172n**. The vehicle task manager **230** may include one or more applications that implement a set of protocols for conditions and actions enabling if-this-then-that (IFTT) or similar processes.

[0057] In various embodiments, the handheld device **232** implements a smart telephone, a tablet, a laptop computer, a notebook, or other similar device capable of bidirectional communication with the telematics control platform **132**. The handheld device **232** is operational to receive inputs from the user, present information to the user, and store data. In other embodiments, the functionality of the handheld device **232** may be implemented in the electronics (e.g., the processor **154**, the memory **156**, the display **160**, the speakers **162**, and the buttons **164**) within the vehicle **130**.

[0058] The web application **234** implements software that controls the transfer of data to and from the vehicle **130** for the purposes of updating the current software components **172a-172n**. In various embodiments, the web application **234** may reside in the source vehicle **104**. In other embodiments, the web application **234** may reside in the repository **102**.

[0059] The back office **236** implements one or more offices of the company or organization responsible for maintaining the system **100**. The back office **236** is operational to collect historical records of the vehicles **104** and **106a-106n**. In some embodiments, the back office **236** also provides marketing and sales activities.

[0060] Updating the vehicle **130** generally begins at the step **182** where the handheld device **232** issues a request for update to the web application **234**. The request may include identification information (e.g., a vehicle identification number, the make, model, and year, and/or the like) of

the vehicle **130**. The web application **234** determines a connection type (e.g., a “local” connection to a nearby source vehicle **104** or a “remote” connection to the repository **102**) in the step **184** and passes the request for update to the source vehicle **104** or the repository **102**. The source vehicle **104** determines an appropriate component set **120a-120n** for the vehicle **130** (e.g., the destination vehicles **106a-106n**) in the step **186** based on the identification information and the connection type determined in the step **184**. The repository **102** determines an appropriate one or more component sets **120a-120n** for the vehicle **130** (e.g., a source vehicle **104**) in the step **188**. Where the vehicle **130** is a source vehicle **104** proximate the repository **102**, the source vehicle **104** may move in the step **190** into the field to within the separation distance **112** of one or more destination vehicles **106a-106n**. [0061] The approved version numbers **124a-124n** are transmitted in the step **192** to the vehicle **130**. In the step **194**, the telematics control platform **132** sets a task for the vehicle task manager **230** to poll the telematics control platform **132** and the circuits **134a-134n** of the vehicle **130**. The vehicle task manager **230** polls the telematics control platform **132** and the circuits **134a-134n** that utilize the current software components **172a-172n** in the step **196**. The telematics control platform **132** and each circuit **134a-134n** that utilizes the current software components **172a-172n** responds to the poll by identifying in the step **198** the current version numbers **174a-174n** of the current software components **172a-172n** that are installed. The current version numbers **174a-174n** are reported back to the vehicle task manager **230**.

[0062] In the step **200**, the vehicle task manager **230** accumulates the current version numbers **174a-174n** and notifies the telematics control platform **132** that the polling is complete. The telematics control platform **132** compares the current version numbers **174a-174n** with the approved version numbers **124a-124n** in the step **202** to determine which among the current software components **172a-172n** may be updated, notifies the user of the differences, and prompts for interest in updating the vehicle **130**. No updates may be appropriate where the current version number **174a-174n** matches a corresponding approved version number **124a-124n**.

[0063] In the step **204**, a selection of one or more approved software components **122a-122n** to be used in the update is made by the telematics control platform **132**. The selection is generally based on one or more criteria. The criteria include, but are not limited to one or more manual selections from the user, a bandwidth of the wireless communications channel **108**, a bandwidth of the wired communications channel **110**, a source throughput of the source vehicle **104** to transmit the approved software components **122a-122n**, a destination throughput of the destination vehicle **106a-106n** to receive the approved software components **122a-122n** and perform the update, a time available to perform the update, and a priority among the approved software components **122a-122n**. In the case of a fleet owner, a group of destination vehicles **106a-106n** may be updated to the same configuration concurrently. In the cases where multiple owners are involved, each destination vehicle **106a-106n** may undergo a unique update based on unique selections.

[0064] Where the vehicle **130** is a destination vehicle **106a-106n**, the source vehicle **104** transfers the selected approved software components **122a-122n** to the vehicle

130 in the step **206**. Where the vehicle **130** is the source vehicle **104**, the repository **102** transfers the selected approved software components **122a-122n** to the vehicle **130** in the step **208**. The received approved software components **122a-122n** are installed into the telematics control platform **132** and the appropriate circuits **134a-134n** the step **210**.

[0065] In the step **212**, the telematics control platform **132** generates a list of a post-update configuration of the vehicle **130** and transfers the list to the web application **234**. The list may include, but is not limited to, the approved software components **122a-122n** just installed, the current software components **172a-172n** that are still present in the vehicle **130** (e.g., not updated), the part numbers of the circuits **134a-134n** and the telematics control platform **132**. The list may be stored locally within the telematics control platform **132** and/or handheld device **232**. In the step **214**, the web application **234** compares the list against at least the approved version numbers **124a-124n** and timestamps the comparison to create a historical record of what hardware and software components are in the vehicles **104** and **106a-106n**. If the web application **234** is part of the source vehicle **104**, the source vehicle **104** may be moved in the step **216** near to the repository **102**. In the step **218**, the historical records are stored in the repository **102**. In various embodiments, the repository **102** may subsequently transfer the historical records to the back office **236** in the step **220**.

[0066] Referring to FIG. 4, a schematic diagram of an example polling **250** is shown in accordance with one or more exemplary embodiments. The polling **250** is implemented by the circuits **134a-134n**, the telematics control platform **132**, and the vehicle task manager **230**. The telematics control platform **132** sets the polling task in the vehicle task manager **230** that subsequently requests the telematics control platform **132** and the circuits **134a-134n** to provide information via the vehicle bus **136**. Calibration information **252**, current versions numbers **174a-174n** of the current software components **172a-172n**, configuration information **254**, manifest information **256**, infotainment catalog information **258**, hardware part number information **260**, module version information **262**, performance information **264**, and the like, are returned to the vehicle task manager **230**. The information is stored **270** in a vehicle data hub within the telematics control platform **132**. Copies of the information may be transmitted **272** to the source vehicle **104** and/or the repository **102**.

[0067] Referring to FIG. 5, a flow diagram of an example method **280** for vehicle-to-vehicle software updates is shown in accordance with one or more exemplary embodiments. The method (or process) **280** may be implemented in the system **100**. The method **280** includes steps **282** to **312**, as illustrated. The order of the steps is shown as a representative example. Other step orders may be implemented to meet the criteria of a particular application.

[0068] In the step **282**, the approved software components **122a-122n** and the approved version numbers **124a-124n** are stored in the repository **102**. The approved software components **122a-122n** and the approved version numbers **124a-124n** may be transferred in the step **284** from the repository **102** to the source vehicle **104** via the wireless communications channel **108** and/or the wired communications channel **110**. The transferred approved software components **122a-122n** and the approved version numbers **124a-124n** are stored in source vehicle **104** in the step **286**. The source

vehicle **104** is moved in the step **288** from near the repository **102** to within the separation distance **112** of one or more destination vehicles **106a-106n**.

[0069] In the step **290**, the source vehicle **104** and/or the destination vehicles **106a-106n** may determine that the source vehicle **104** and the destination vehicles **106a-106n** are suitably close to exchange data through the corresponding transceivers **152** via the wireless communications channel **108**. The destination vehicles **106a-106n** may transfer requests to check for updates to the source vehicle **104** in the step **292**. The requests may include the make, the model, and the year of the destination vehicles **106a-106n**. The source vehicle **104** may transfer the approved version numbers **124a-124n** to the destination vehicles **106a-106n** in the step **294**. In some embodiments, the source vehicle **104** may also transfer a lighting condition (e.g., normal lighting or blackout lighting) to the destination vehicles **106a-106n** in the step **294**.

[0070] In the step **296**, each destination vehicle **106a-106n** may automatically implement the lighting condition. In the step **298**, each destination vehicle **106a-106n** compares the current version numbers **174a-174n** currently installed with the approved version numbers **124a-124n** received from the source vehicle **104**. The comparison identifies which among the current software components **172a-172n** could be updated. Each destination vehicle **106a-106n** checks for update criteria in the step **300**. The criteria may include, but are not limited to, the manual selections of the current software components **172a-172n** to be updated, the bandwidth of the wireless communications channel **108**, the source throughput of the source vehicle **104** to transmit the approved software components **122a-122n**, the destination throughput of the destination vehicles **106a-106n** to receive the approved software components **122a-122n** and perform the updates, the time available to perform the updates, and priorities among the approved software components **122a-122n**.

[0071] In the step **302**, each destination vehicle **106a-106n** approves a respective update for one or more of the current software components **172a-172n** in response to respective criteria. In various situations, the approved update may be the same among the destination vehicles **106a-106n**. In other situations, each destination vehicle **106a-106n** may select a distinct set of the approved software components **122a-122n** for the respective updates. For example, one of the destination vehicles **106a-106n** may have received an earlier partial update and so is limited in the current update, while another destination vehicle **106a-106n** selects a full update. The destination vehicles **106a-106n** receive the approved software components in the step **304** from the source vehicle **104** via the wireless communications channel **108**. In the step **306**, the destination vehicles **106a-106n** apply the updates of the selected current software components **172a-172n** with the corresponding approved software components **122a-122n** received from the source vehicle **104**.

[0072] In the step **308**, the destination vehicles **106a-106n** generate and transfer a respective list **238** of the vehicle configuration to the source vehicle **104** of the current software components **172a-172n** (not updated) and the approved software components **122a-122n** (just updated) that are currently installed in the destination vehicles **106a-106n** after the updates have finished. The source vehicle **104** may move close to the repository **102** in the step **310**. In the step **312**,

the source vehicle **104** transfers the lists **238** to the repository **102**.

[0073] Each owner and each user of the vehicles **104** and **106a-106n** has a record of when and what updates took place. A source vehicle **104**, such as a passenger automobile, may update multiple destination vehicles **106a-106n** of similar make, model and year where the source vehicle **104** carries a single component set **120a-120n**. A source vehicle **104**, such as a resupply truck, may update multiple destination vehicles **106a-106n** of varying makes, models, and/or years where the source vehicle **104** carries multiple component sets **120a-120n**. The resupply truck may be a vehicle that provides the updates and replenishes items that are consumed, used, and/or involve replacement.

[0074] The ability of the source vehicles **104** to travel out into the field, communicate with the destination vehicles **106a-106n**, and subsequently return to a starting point enables the source vehicles **104** to retrieve module version information, calibration information, performance information, installed apps information, hardware part numbers, software version numbers, and other variable information that define a current configuration of each vehicle **104** and **106a-106n**. The gathered information provides fleet owners of update options and captures histories of the additions/changes/deletions made from time to time. The history information enables tracking of how long an update takes place to convert some percentage of the destination vehicles **106a-106n** from an initial version A to an updated version B, versus from the initial version A to another updated version C, where version C is newer than version B and version B is newer than version A.

[0075] Various embodiments of the system generally provides a repository, source vehicles, and destination vehicles. Each source vehicle is configured to store at least one component set of multiple approved software components and multiple approved version numbers. Each destination vehicle includes a transceiver, multiple circuits, and multiple current software components installed within the multiple circuits. The current software components have respective current version numbers. Each destination vehicle is configured to determine that the source vehicle and the destination vehicle are suitably close to exchange data through the transceiver via a wireless communications channel, compare the current version numbers in the destination vehicle with the approved version numbers in the source vehicle, and approve an update for one or more of the current software components in response to one or more criteria. The update generally involves the current software components having the current version numbers that are different from corresponding approved version numbers. Once the update is defined, each destination vehicle receives the appropriate approved software components from the source vehicle via the wireless communications channel. The destination vehicles subsequently update the one or more current software components in with the one or more approved software components received from the source vehicle. The technique described enables destination vehicles **106a-106n** to receive updates without making appointments and spending time at a repair shop while the updates are applied.

[0076] All numerical values of parameters (e.g., of quantities or conditions) in this specification, including the appended claims, are to be understood as being modified in all instances by the term “about” whether or not “about” actually appears before the numerical value. “About” indi-

cates that the stated numerical value allows some slight imprecision (with some approach to exactness in the value; about or reasonably close to the value; nearly). If the imprecision provided by “about” is not otherwise understood in the art with this ordinary meaning, then “about” as used herein indicates at least variations that may arise from ordinary methods of measuring and using such parameters. In addition, disclosure of ranges includes disclosure of all values and further divided ranges within the entire range. Each value within a range and the endpoints of a range are hereby all disclosed as separate embodiment.

[0077] While the best modes for carrying out the disclosure have been described in detail, those familiar with the art to which this disclosure relates will recognize various alternative designs and embodiments for practicing the disclosure within the scope of the appended claims.

What is claimed is:

1. A system comprising:

a source vehicle configured to store a plurality of approved software components and a plurality of approved version numbers; and

a destination vehicle comprising a transceiver, a plurality of circuits, a plurality of current software components installed within the plurality of circuits, and a plurality of current version numbers of the plurality of current software components, wherein the destination vehicle is configured to:

determine that the source vehicle and the destination vehicle are suitably close to exchange data through the transceiver via a wireless communications channel;

compare the plurality of current version numbers in the destination vehicle with the plurality of approved version numbers in the source vehicle;

approve an update for one or more of the plurality of current software components in response to one or more criteria;

receive one or more of the plurality of approved software components at the destination vehicle from the source vehicle via the wireless communications channel in response to the plurality of current version numbers of the plurality of current software components approved for the update being different from corresponding ones of the plurality of approved version numbers; and

update the one or more current software components in the destination vehicle with the one or more approved software components received from the source vehicle.

2. The system according to claim 1, wherein the one or more criteria includes one or more manual selections of the plurality of current software components to be updated.

3. The system according to claim 1, wherein the one or more criteria includes one or more of a bandwidth of the wireless communications channel, a source throughput of the source vehicle to transmit the plurality of approved software components, a destination throughput of the destination vehicle to receive the plurality of approved software components and perform the update, a time available to perform the update, and a priority among the plurality of approved software components.

4. The system according to claim 1, wherein:

the destination vehicle is further configured to transfer to the source vehicle a list of the plurality of current software components and the plurality of approved software components installed in the destination vehicle after the update has finished; and
the source vehicle is further configured to transfer the list to a repository external to the source vehicle.

5. The system according to claim **4**, wherein the list includes a plurality of part numbers of the plurality of circuits in the destination vehicle.

6. The system according to claim **1**, wherein at least one of the plurality of approved software components comprises code executable in at least one of the plurality of circuits in the destination vehicle.

7. The system according to claim **1**, wherein at least one of the plurality of approved software components comprises calibration information utilized in at least one of the plurality of circuits in the destination vehicle.

8. The system according to claim **1**, wherein:
the source vehicle is further configured to transfer to the destination vehicle a lighting condition within the source vehicle; and

the destination vehicle is further configured to automatically apply the lighting condition received from the source vehicle.

9. The system according to claim **1**, wherein the reception of one or more of the plurality of approved software components at the destination vehicle is in response to the source vehicle and the destination vehicle matching each other in make, model, and year.

10. A method for vehicle software updates comprising:
storing in a source vehicle a plurality of approved software components and a plurality of approved version numbers;

moving one or more of the source vehicle and a destination vehicle suitably close to each other, wherein the destination vehicle comprises a transceiver, a plurality of circuits, a plurality of current software components installed within the plurality of circuits, and a plurality of current version numbers of the plurality of current software components;

determining that the source vehicle and the destination vehicle are suitably close to exchange data through the transceiver via a wireless communications channel;

comparing the plurality of current version numbers in the destination vehicle with the plurality of approved version numbers in the source vehicle;

approving an update for one or more of the plurality of current software components in response to one or more criteria;

receiving one or more of the plurality of approved software components at the destination vehicle from the source vehicle via the wireless communications channel in response to the plurality of current version numbers of the plurality of current software components approved for the update being different from corresponding ones of the plurality of approved version numbers; and
updating the one or more current software components in the destination vehicle with the one or more approved software components received from the source vehicle.

11. The method according to claim **10**, wherein the one or more criteria includes one or more manual selections of the plurality of current software components to be updated.

12. The method according to claim **10**, wherein the one or more criteria includes one or more of a bandwidth of the

wireless communications channel, a source throughput of the source vehicle to transmit the plurality of approved software components, a destination throughput of the destination vehicle to receive the plurality of approved software components and perform the updating, a time available to perform the updating, and a priority among the plurality of approved software components.

13. The method according to claim **10**, further comprising:
transferring from the destination vehicle to the source vehicle a list of the plurality of current software components and the plurality of approved software components installed in the destination vehicle after the update has finished; and

transferring the list from the source vehicle to a repository external to the source vehicle.

14. The method according to claim **13**, wherein the list includes a plurality of part numbers of the plurality of circuits in the destination vehicle.

15. The method according to claim **10**, wherein at least one of the plurality of approved software components comprises code executable in at least one of the plurality of circuits in the destination vehicle.

16. The method according to claim **10**, wherein at least one of the plurality of approved software components comprises calibration information utilized in at least one of the plurality of circuits in the destination vehicle.

17. The method according to claim **10**, further comprising:
transferring from the source vehicle to the destination vehicle a lighting condition within the source vehicle; and
automatically applying in the destination vehicle the lighting condition received from the source vehicle.

18. A vehicle comprising:
a transceiver configured to exchange data with a source vehicle via a wireless communications channel;

a plurality of circuits;

a plurality of current software components installed within the plurality of circuits;

a plurality of current version numbers of the plurality of current software components; and

a vehicle task manager configured to:
determine that the source vehicle and the vehicle are suitably close to exchange data through the transceiver via the wireless communications channel, wherein the source vehicle is configured to store a plurality of approved software components and a plurality of approved version numbers;

compare the plurality of current version numbers in the vehicle with the plurality of approved version numbers in the source vehicle;

approve an update for one or more of the plurality of current software components in response to one or more criteria;

receive one or more of the plurality of approved software components at the vehicle from the source vehicle via the wireless communications channel in response to the plurality of current version numbers of the plurality of current software components approved for the update being different from corresponding ones of the plurality of approved version numbers; and

update the one or more current software components in the vehicle with the one or more approved software components received from the source vehicle.

19. The vehicle according to claim **18**, wherein the vehicle is further configured to transfer to the source vehicle a list of the plurality of current software components and the plurality

of approved software components installed in the vehicle after the update has finished.

20. The vehicle according to claim **19**, wherein the list includes a plurality of part numbers of the plurality of circuits in the vehicle.

* * * * *