



(19) **United States**

(12) **Patent Application Publication**
Cheng et al.

(10) **Pub. No.: US 2023/0125990 A1**

(43) **Pub. Date: Apr. 27, 2023**

(54) **COCOON AIRBAG TO PROTECT A SLEEPING OCCUPANT**

(52) **U.S. Cl.**
CPC *B60R 21/23138* (2013.01);
B60R 21/0134 (2013.01)

(71) Applicant: **GM Global Technology Operations LLC**, Detroit, MI (US)

(57) **ABSTRACT**

(72) Inventors: **Yi-pen Cheng**, Troy, MI (US); **Chin-hsu Lin**, Troy, MI (US)

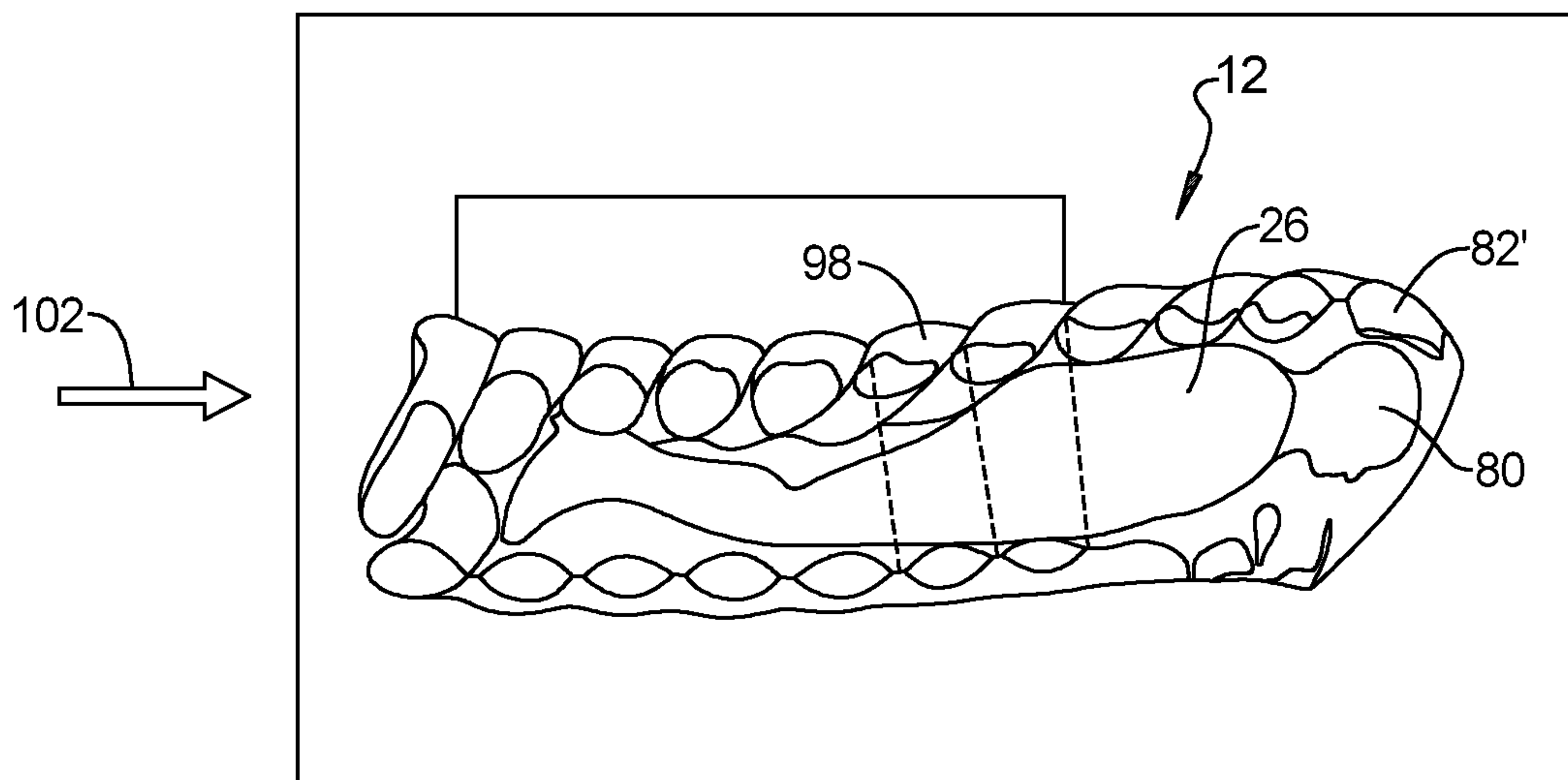
An automobile vehicle deployable cocoon airbag system includes an airbag cushion having a first side oriented in a vertical configuration in a non-deployed condition and a second side oriented substantially ninety degrees from the first side in the non-deployed condition and adapted to receive an occupant on the second side providing an occupant sleeping position. At least one retracting tether is connected to the first side and the second side and is retracted using a retraction mechanism. The retraction mechanism acts upon receipt of a signal to retract the at least one retracting tether and pull the second side toward the first side thereby enclosing the occupant between the first side and the second side in a deployed condition of the airbag cushion. At least one energy absorbing (EA) element is connected to the airbag cushion acting to restrict a fore-aft motion of the airbag cushion.

(21) Appl. No.: **17/510,834**

(22) Filed: **Oct. 26, 2021**

Publication Classification

(51) **Int. Cl.**
B60R 21/231 (2006.01)
B60R 21/0134 (2006.01)



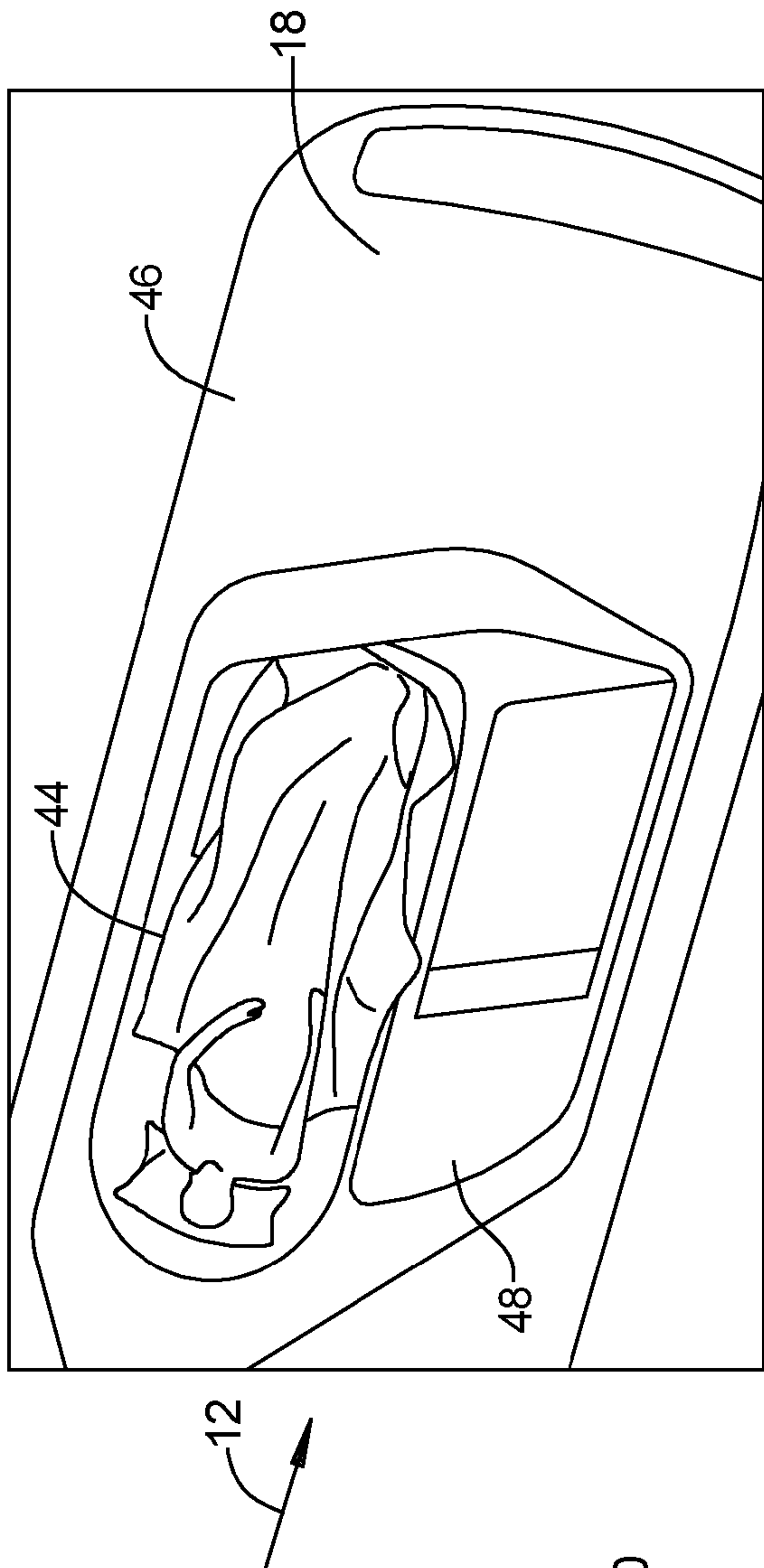


FIG. 2

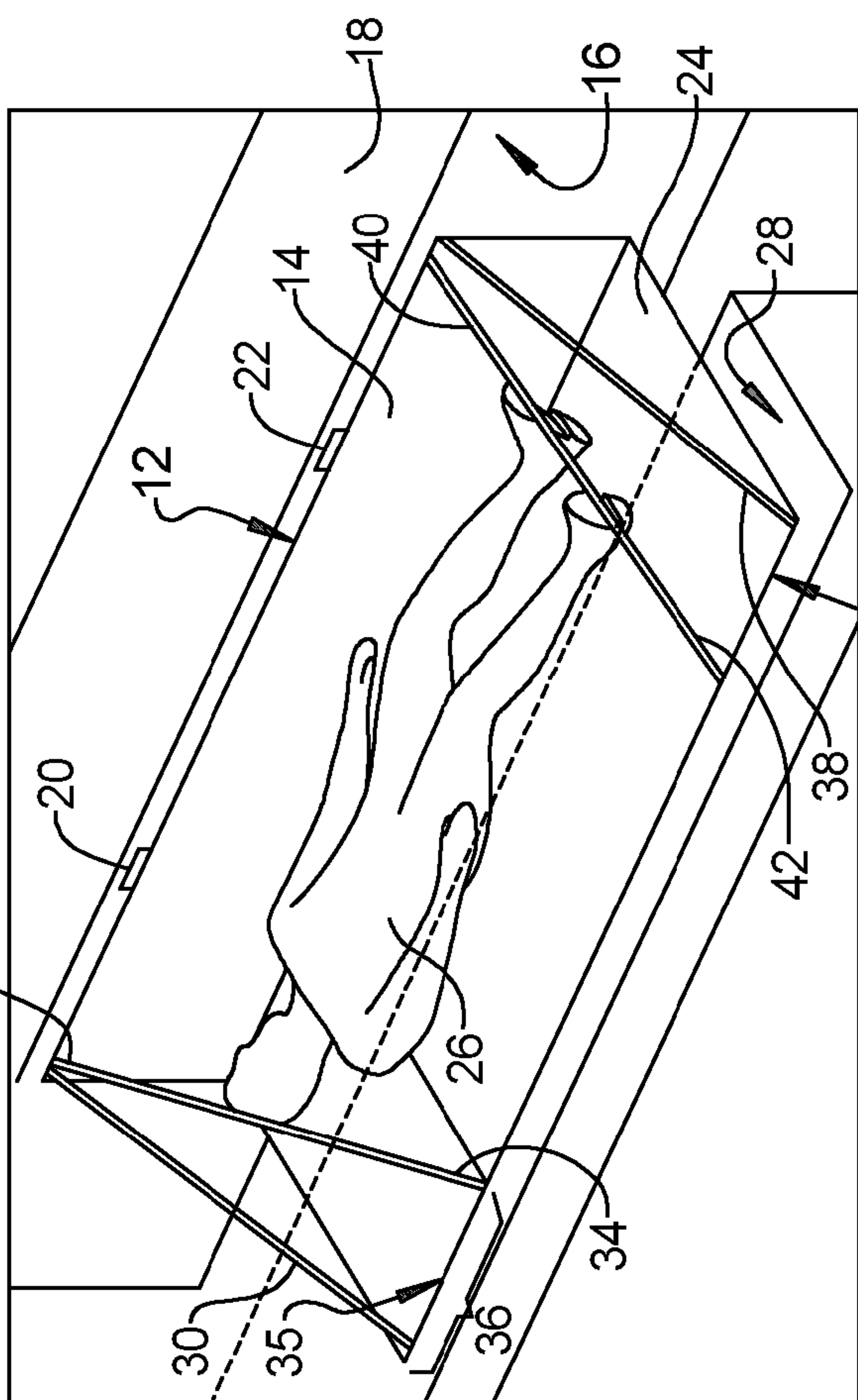


FIG. 1

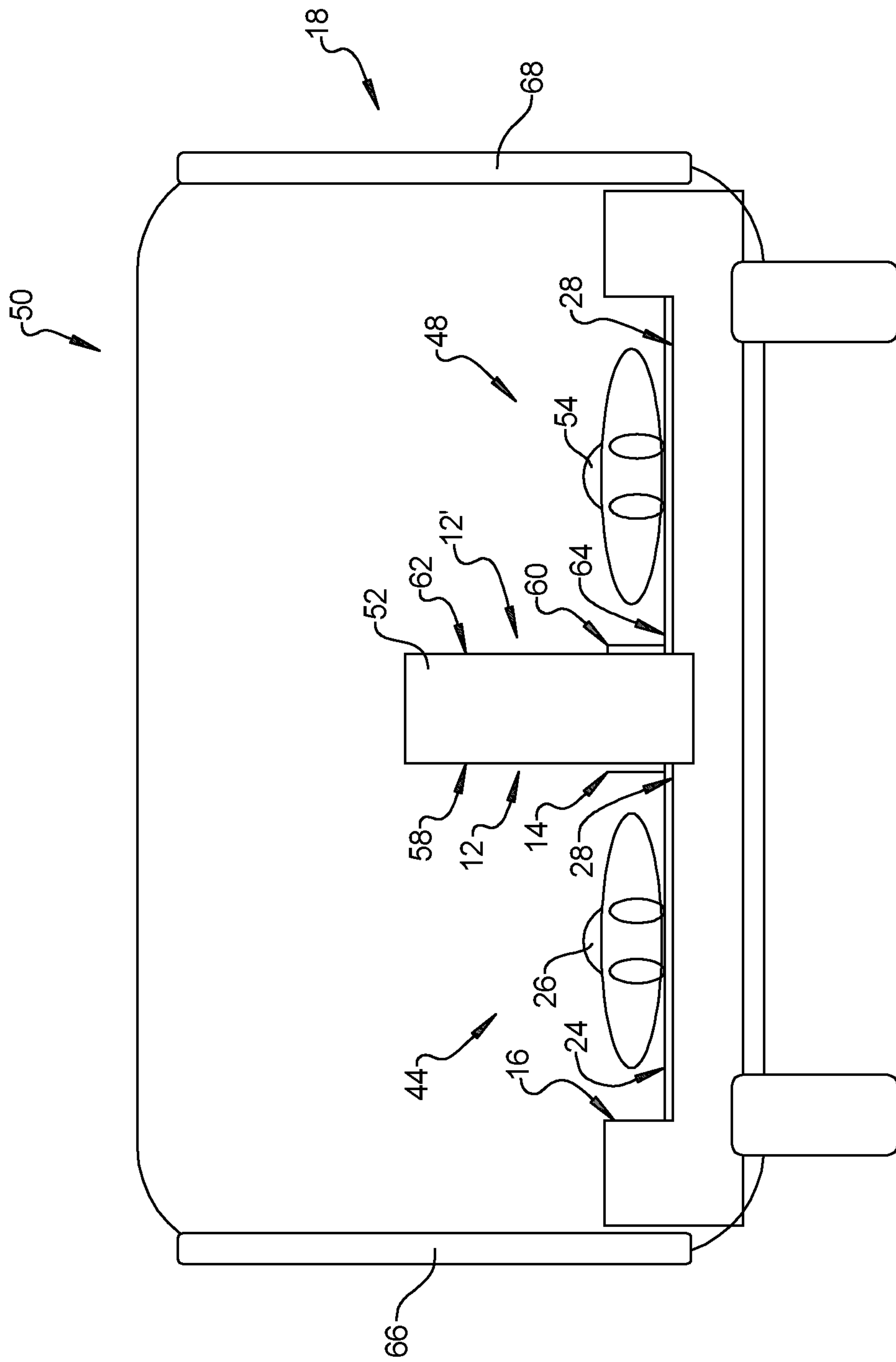


FIG. 3

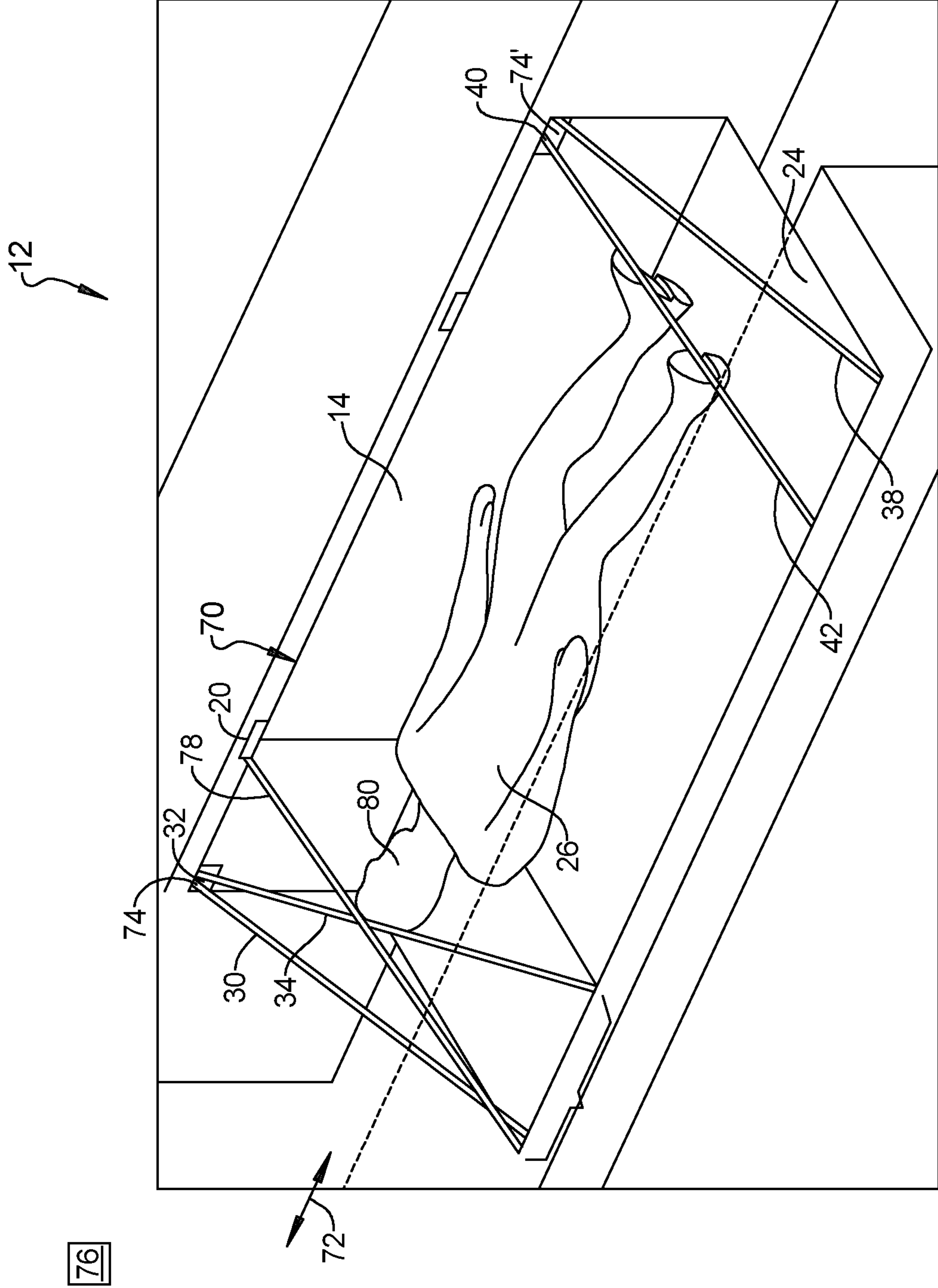


FIG. 4

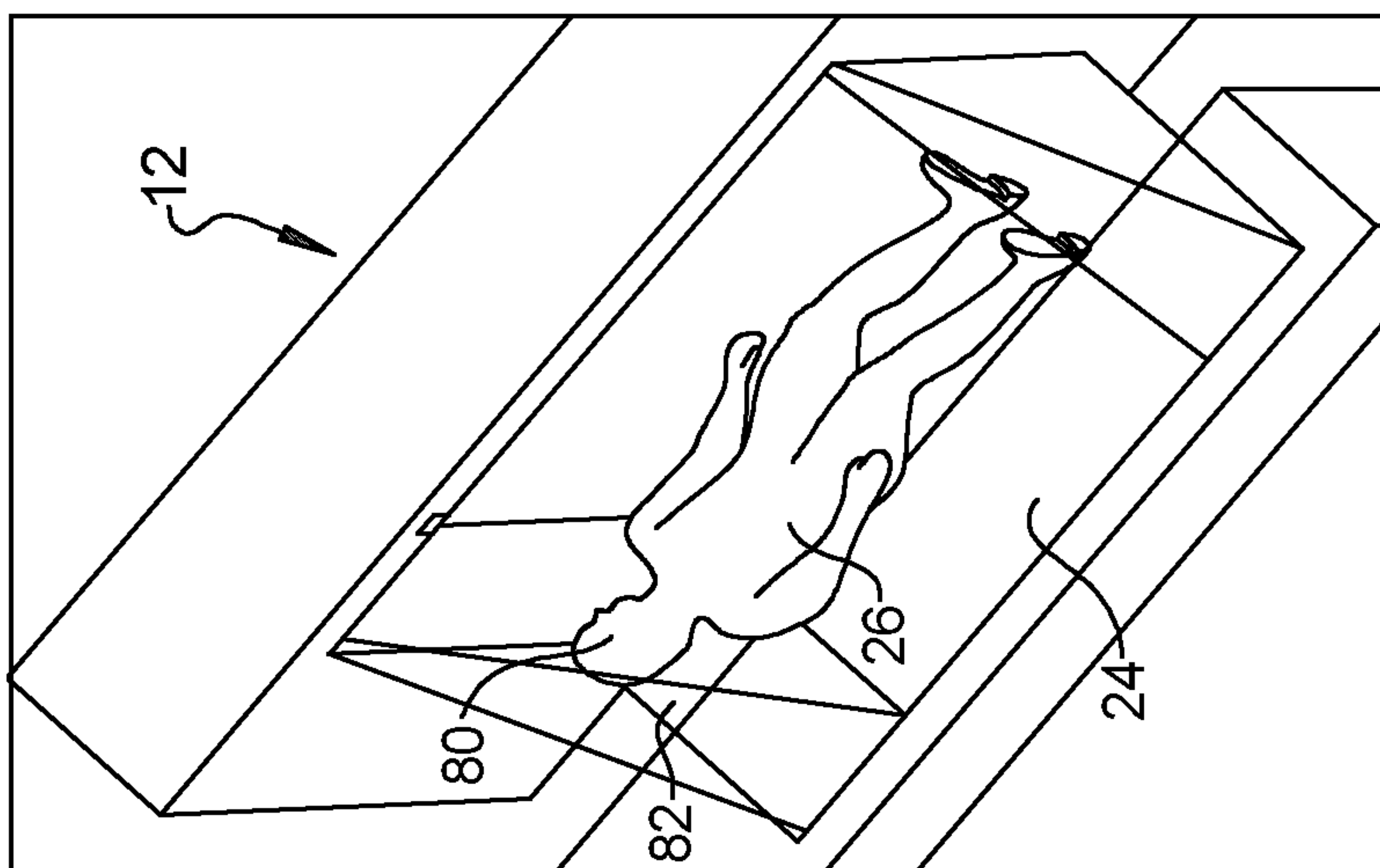


FIG. 5

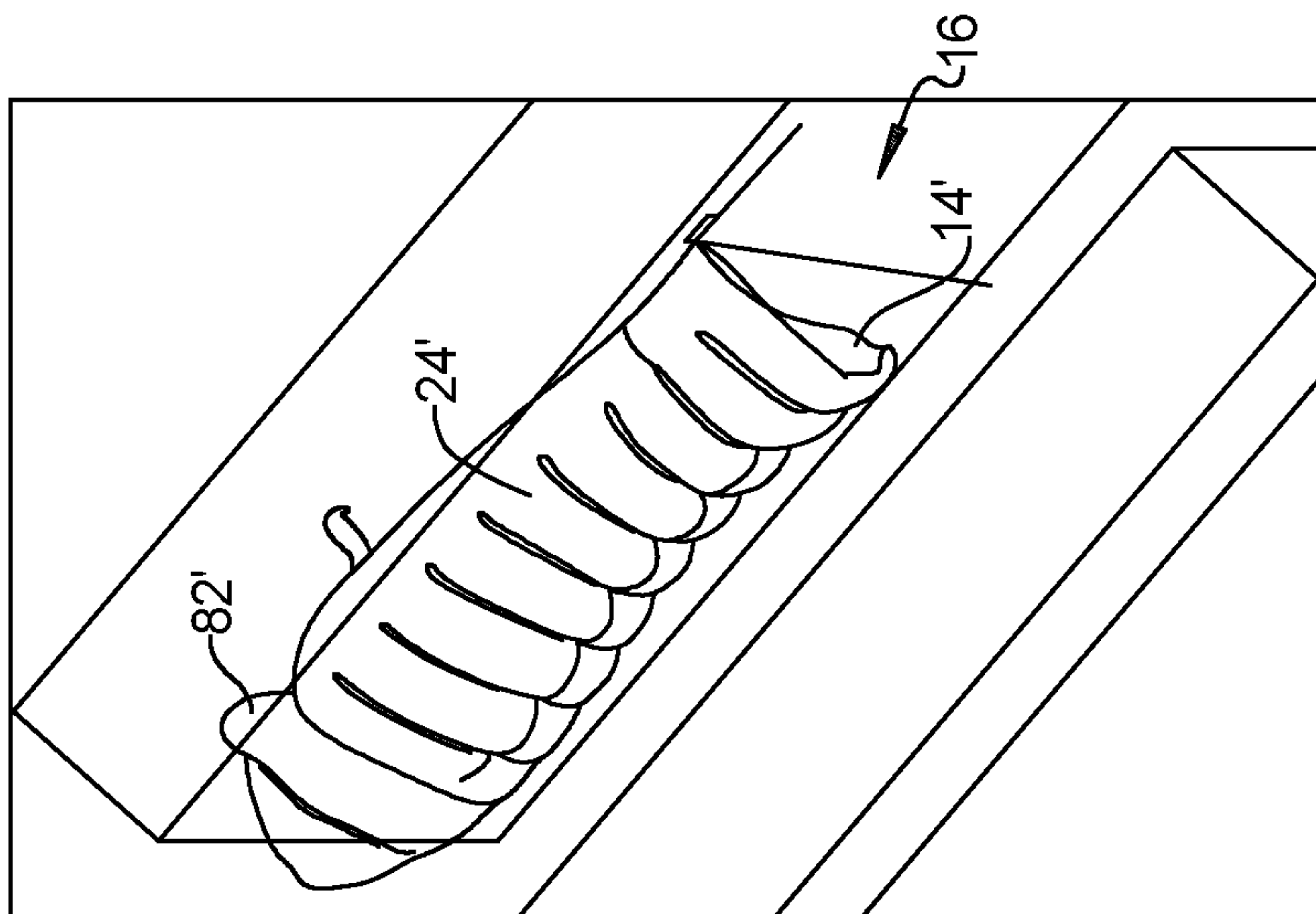


FIG. 6

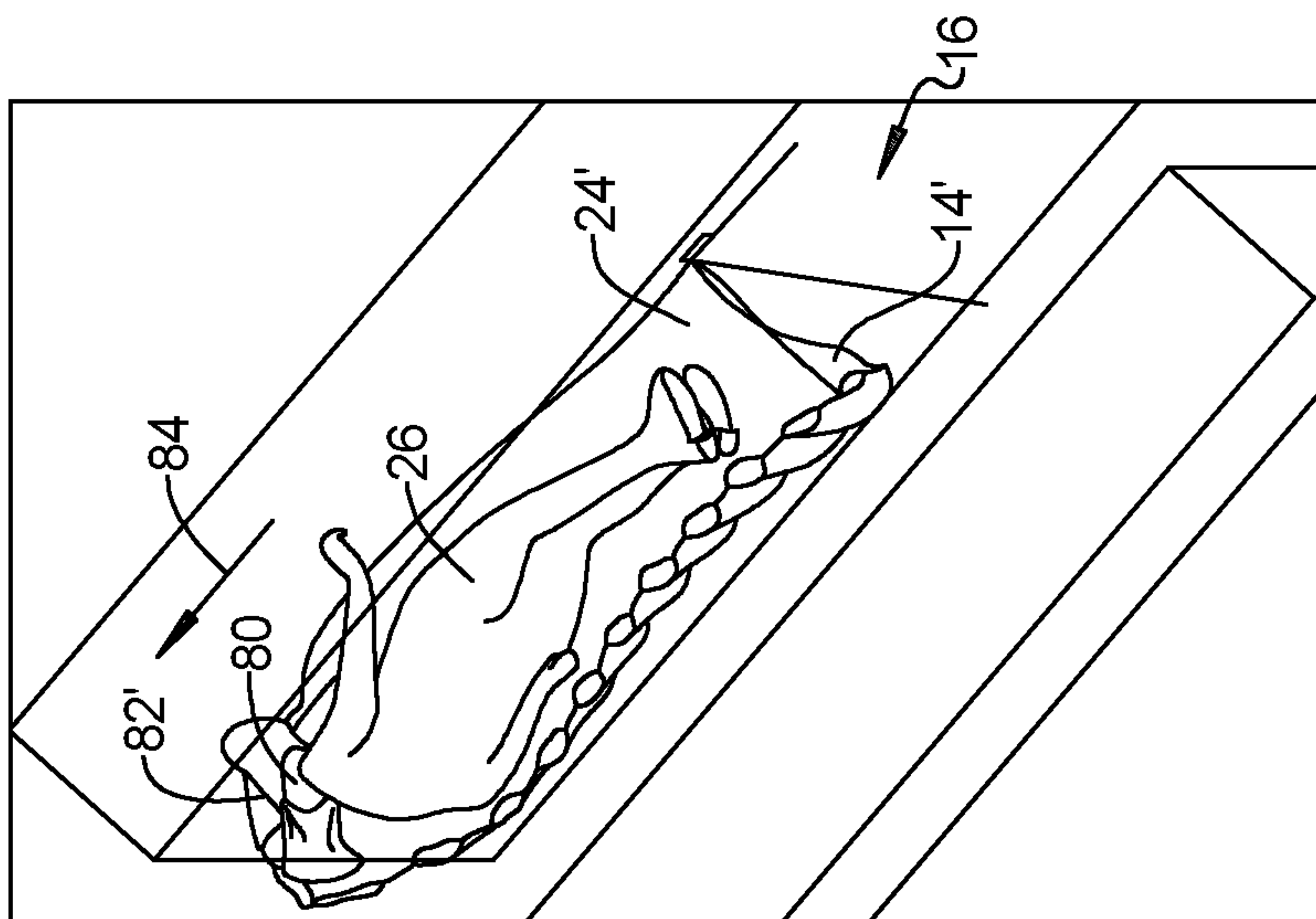
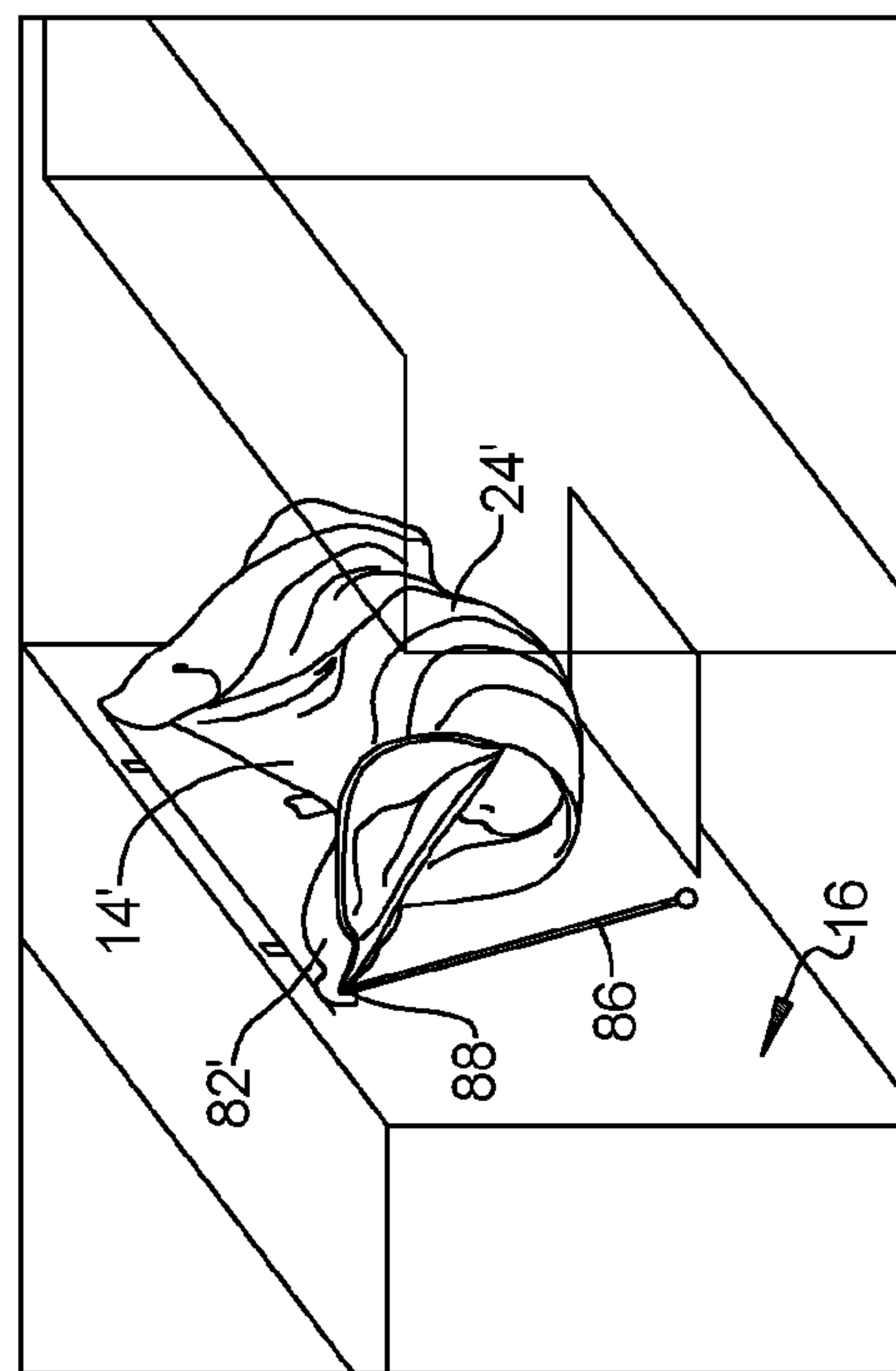
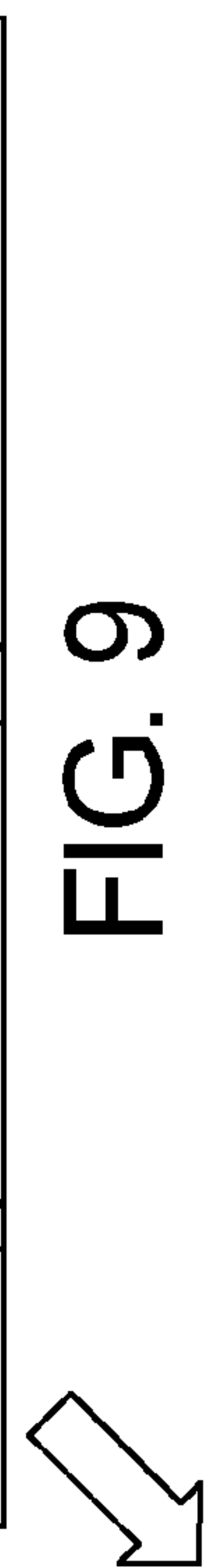
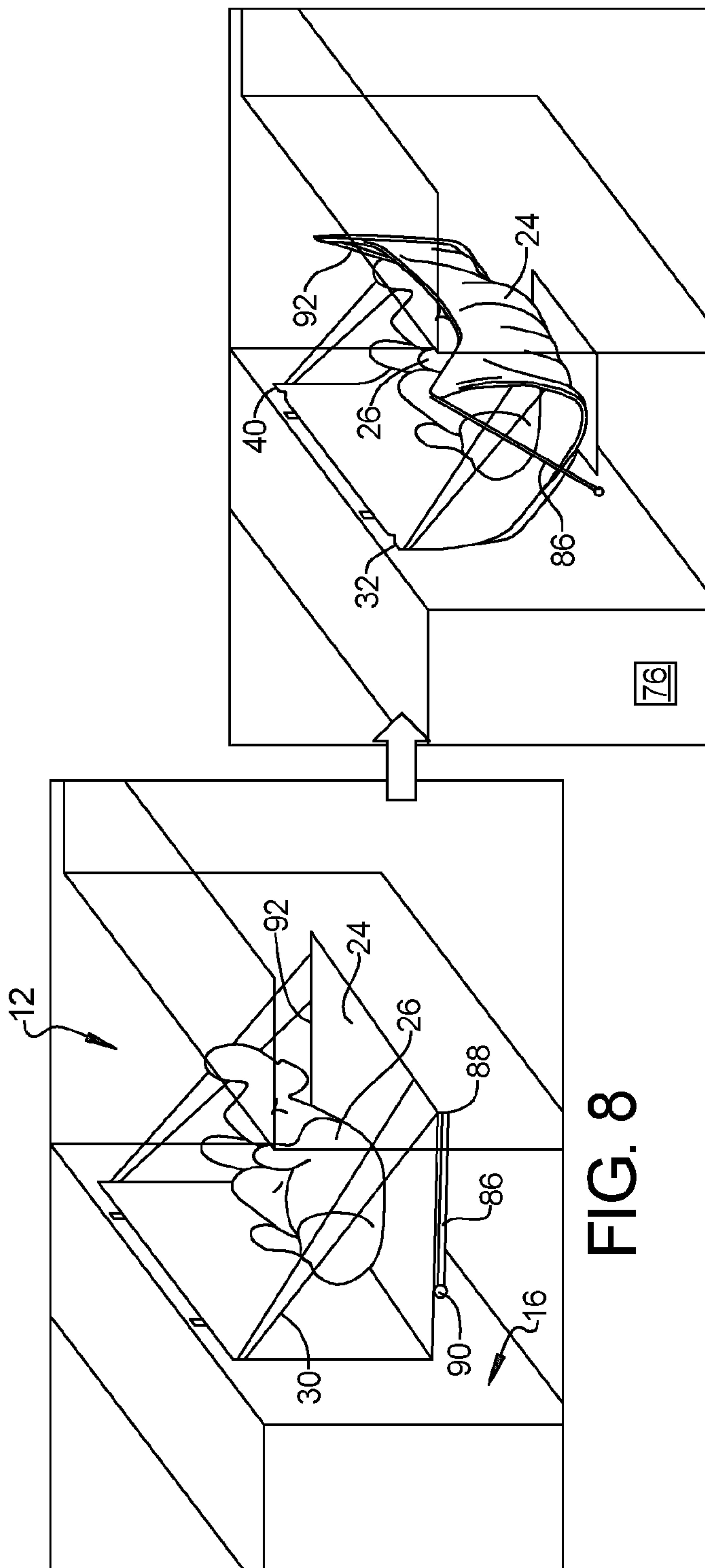


FIG. 7



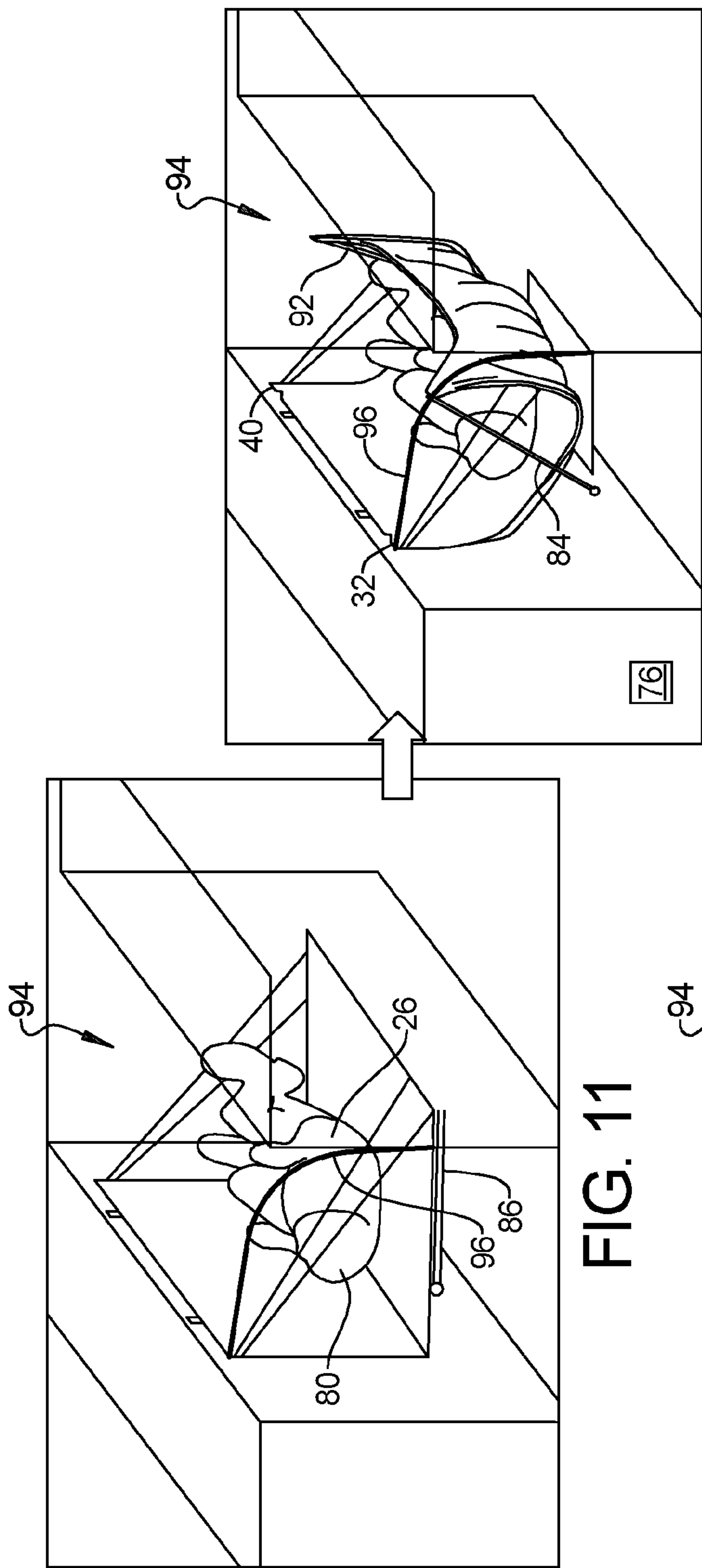


FIG. 11

FIG. 12

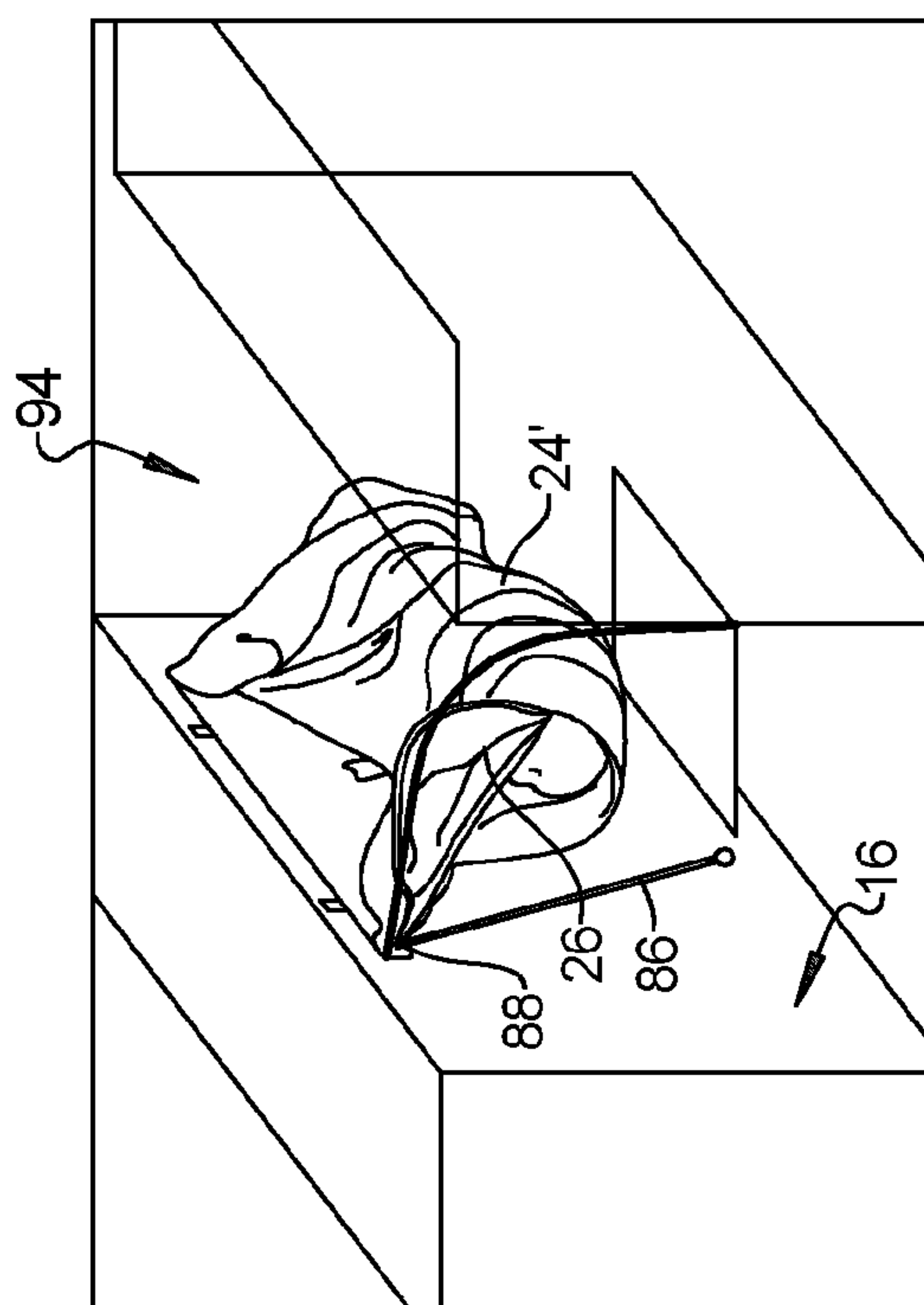


FIG. 13

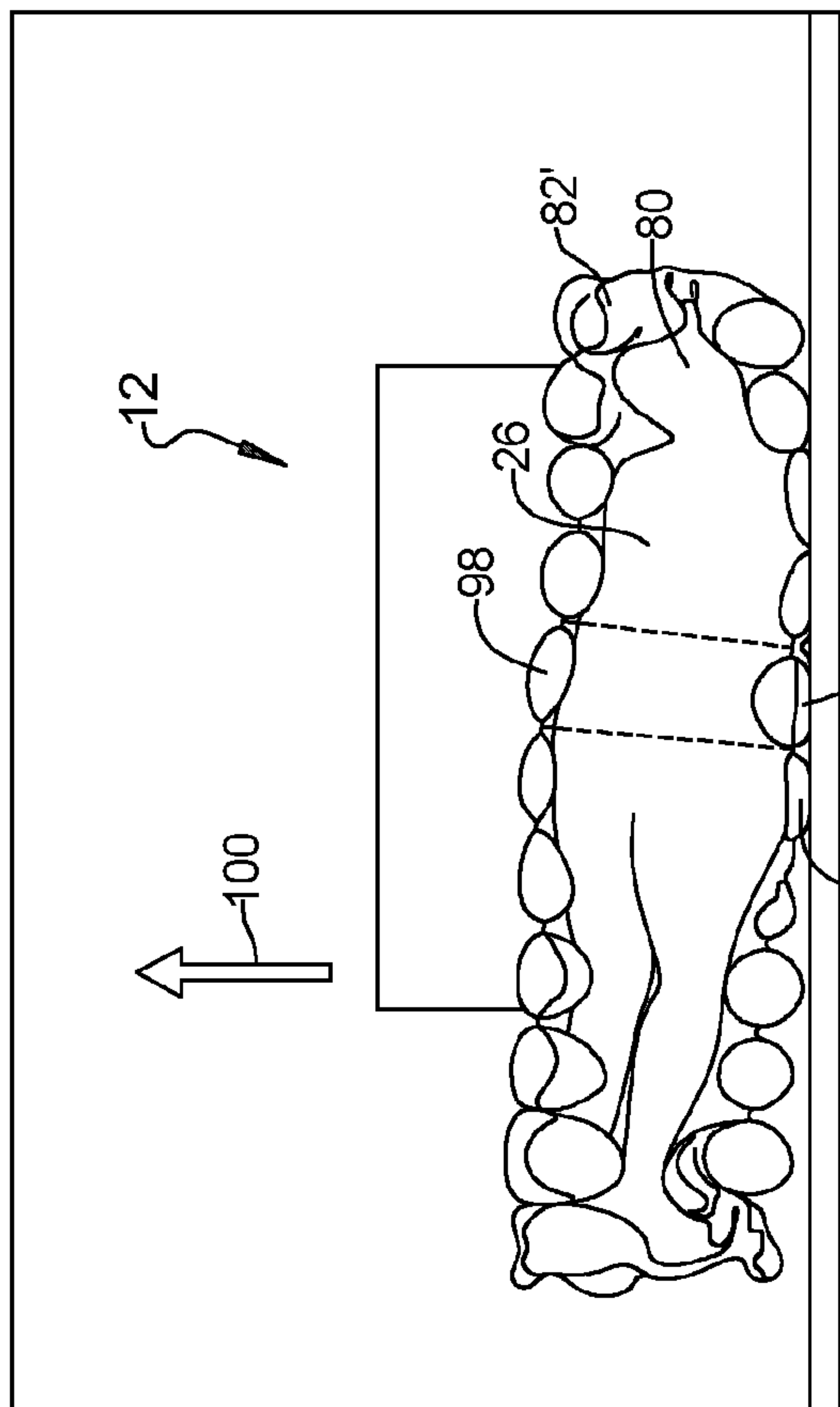


FIG. 14

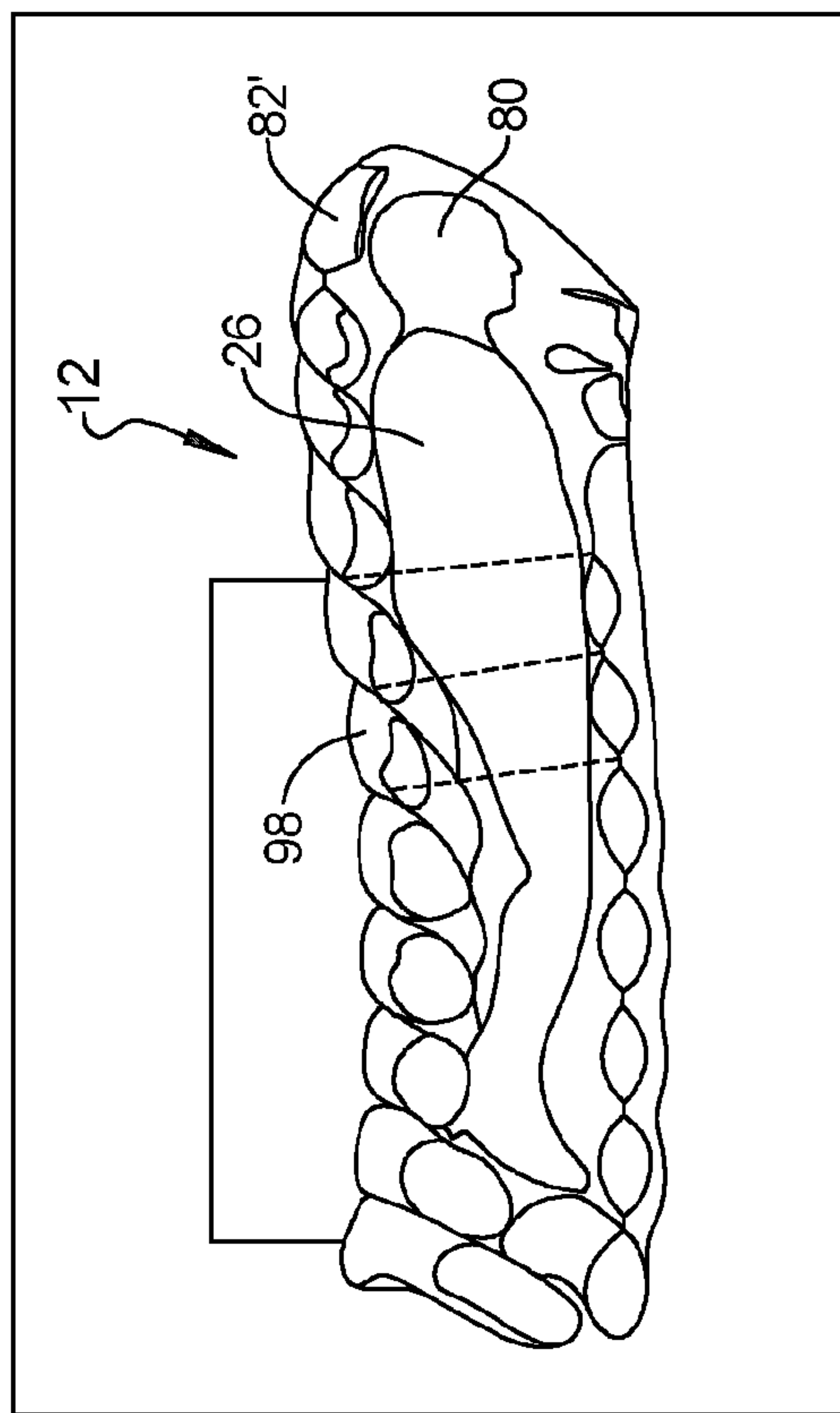


FIG. 15

COCOON AIRBAG TO PROTECT A SLEEPING OCCUPANT

INTRODUCTION

[0001] The present disclosure relates to automobile vehicle occupant protection airbag systems.

[0002] In known automobile vehicle occupant protection systems, a sleeping occupant may not be restrained and protected in a vehicle crash coming from all directions. Known occupant protection systems require a seat belt as a primary restraint system for a sleeping occupant occupying a vehicle seat. Present automobile vehicle airbag systems are not sensitive to how people sleep, i.e., lie-flat versus sleeping on the side.

[0003] Thus, while current vehicle occupant protection systems achieve their intended purpose, there is a need for a new and improved system and method to protect sleeping vehicle occupants during vehicle collisions.

SUMMARY

[0004] According to several aspects, an automobile vehicle deployable cocoon airbag system includes an airbag cushion. The airbag cushion includes a first side oriented in a vertical configuration in a non-deployed condition. A second side of the airbag cushion is oriented substantially ninety degrees from the first side in the non-deployed condition and is adapted to receive an occupant on the second side providing an occupant sleeping position. At least one retracting tether is connected to the first side and the second side and is retracted using a retraction mechanism. The retraction mechanism acts upon receipt of a signal to retract the at least one retracting tether and pull the second side toward the first side thereby enclosing the occupant between the first side and the second side in a deployed condition of the airbag cushion. At least one energy absorbing (EA) element is connected to the airbag cushion acting to restrict a fore-aft motion of the airbag cushion.

[0005] In another aspect of the present disclosure, the at least one retracting tether includes: at least a first retracting tether connected at a first end of the first side and at a first end of the second side; and at least a second retracting tether connected at a second end of the first side and at a second end of the second side.

[0006] In another aspect of the present disclosure, the first retracting tether defines a first retracting tether pair and the second retracting tether defines a second retracting tether pair the first retracting tether pair and the second retracting tether pair having connection points of the first retracting tether pair with a first end of the second side and having connection points of the second retracting tether pair with a second end of the second side.

[0007] In another aspect of the present disclosure, the at least one EA element defines a first EA element and a second EA element.

[0008] In another aspect of the present disclosure, the connection points of first retracting tether pair are separated by a first spacing and the connection points of the second retracting tether pair are separated by a second spacing such that the first retracting tether pair form a triangle-shape having an apex located at the first EA element and the second retracting tether pair form a triangle-shape having an apex located at the second EA element.

[0009] In another aspect of the present disclosure, a head area of the airbag cushion extends from the first end of the first side and the first end of the second side; and a unitary tether is connected to the head area. The unitary tether is retracted upon receipt of the signal to shape a volume of the head area around a head of the occupant during deployment of the head area to prevent a shoulder area of the occupant from sliding through an open end of the airbag cushion in a fore-aft direction when the airbag cushion is in the deployed condition.

[0010] In another aspect of the present disclosure, a sensor communicates with the at least one energy absorbing element, the sensor generating the signal.

[0011] In another aspect of the present disclosure, the sensor defines a pre-crash sensor defining an accelerometer wherein the signal is generated by the sensor signifying when a vehicle crash is imminent requiring deployment of the airbag cushion.

[0012] In another aspect of the present disclosure, multiple airbag sections of the airbag cushion upon receipt of the signal are inflated to provide substantially 360-degree circumferential coverage of the occupant.

[0013] In another aspect of the present disclosure, a substantially rigid connecting arm fixed at a free end to a corner of the second side. A rotating connection rotatably connects the connecting arm to a vehicle compartment wall. A guide arm positioned proximate to the connecting arm provides a tracking path for a travel motion of the connecting arm.

[0014] According to several aspects, a deployable cocoon airbag system includes an airbag cushion having: a first side oriented in a vertical configuration in a non-deployed condition and movably attached to a wall of an automobile vehicle; and a second side oriented substantially ninety degrees from the first side in the non-deployed condition adapted to receive an occupant on the second side providing an occupant sleeping position. At least one retracting tether is connected to the first side and the second side and is retracted using a retraction mechanism. The retraction mechanism acts upon receipt of a sensor signal to retract the at least one retracting tether and pull the second side toward the first side thereby enclosing the occupant between the first side and the second side in a deployed condition of the airbag cushion. Multiple airbag sections of the airbag cushion upon receipt of the sensor signal are inflated to provide substantially 360-degree circumferential coverage of the occupant in the deployed condition during a side impact to the automobile vehicle. At least one energy absorbing (EA) element connected to the first side of the airbag cushion restricts a fore-aft motion of the airbag cushion.

[0015] In another aspect of the present disclosure, a second airbag cushion is similarly configured to the first airbag cushion, the second airbag cushion positioned oppositely about a center dividing wall within the automobile vehicle with respect to the first airbag cushion.

[0016] In another aspect of the present disclosure, the first side of the first airbag cushion is connected to a first wall face of the center dividing wall and a third side of the second airbag cushion is connected to a second wall face of the center dividing wall.

[0017] In another aspect of the present disclosure, the first airbag cushion is positioned in a first occupant sleeping compartment of the automobile vehicle and the second airbag cushion is positioned in a second occupant sleeping compartment of the automobile vehicle.

[0018] In another aspect of the present disclosure, the first airbag cushion and the second airbag cushion are aligned in a fore-aft configuration allowing limited motion of the first airbag assembly and the second airbag assembly in the fore-aft motion limited by the at least one EA element.

[0019] In another aspect of the present disclosure, a head area of the first airbag cushion extends from the first end of the first side and the first end of the second side.

[0020] In another aspect of the present disclosure, the head area is inflated upon receipt of the sensor signal about a head of the occupant to prevent a shoulder area of the occupant from sliding through an open end of the first airbag cushion in a fore-aft direction.

[0021] According to several aspects, a method for protecting a sleeping occupant of an automobile vehicle using an airbag cushion includes: generating a signal from a pre-crash sensor which determines that a vehicle crash is imminent and requires deployment of the airbag cushion to protect the sleeping occupant; pulling ends of a second side of the airbag cushion toward an edge of a first side of the airbag cushion to roll/enclose the sleeping occupant at a predetermined time of “x” msec prior to a crash impact using a tether mechanism; and enclosing the occupant between the first side and the second side of the airbag cushion for occupant protection at an onset of the crash impact.

[0022] In another aspect of the present disclosure, the method further includes dissipating fore/aft impact energy acting on the occupant using energy absorbing elements positioned between the airbag cushion and a vehicle interior.

[0023] In another aspect of the present disclosure, the method further includes inflating the airbag cushion to firmly grip the occupant between the first side and the second side of the airbag cushion.

[0024] Further areas of applicability will become apparent from the description provided herein. It should be understood that the description and specific examples are intended for purposes of illustration only and are not intended to limit the scope of the present disclosure.

BRIEF DESCRIPTION OF THE DRAWINGS

[0025] The drawings described herein are for illustration purposes only and are not intended to limit the scope of the present disclosure in any way.

[0026] FIG. 1 is a left rear perspective view looking forward of a cocoon airbag system according to an exemplary aspect;

[0027] FIG. 2 is a topo plan view of an automobile vehicle having occupant sleeping compartments incorporating a cocoon airbag system of FIG. 1;

[0028] FIG. 3 is an end elevational view looking forward of a first and a second airbag cushion of FIG. 1;

[0029] FIG. 4 is a left rear perspective view similar to FIG. 1;

[0030] FIG. 5 is a left rear perspective view similar to FIG. 1 showing a non-deployed condition of the airbag cushion;

[0031] FIG. 6 is a left rear perspective view similar to FIG. 1 showing a fully deployed condition of the airbag cushion;

[0032] FIG. 7 is a partial cross-sectional transparent view of the configuration of FIG. 6 showing an encapsulated occupant;

[0033] FIG. 8 is a front left perspective view looking rearward modified from FIG. 1 to show first and second connecting arms in a non-deployed condition of the airbag cushion;

[0034] FIG. 9 is a front left perspective view looking rearward modified from FIG. 8 to show a partially deployed condition of the airbag cushion;

[0035] FIG. 10 is a front left perspective view looking rearward modified from FIG. 9 to show a fully deployed condition of the airbag cushion;

[0036] FIG. 11 is a front left perspective view looking rearward modified from FIG. 8 to show a guide arm in a non-deployed condition of the airbag cushion;

[0037] FIG. 12 is a front left perspective view looking rearward modified from FIG. 11 to show a partially deployed condition of the airbag cushion;

[0038] FIG. 13 is front left perspective view looking rearward modified from FIG. 12 to show a fully deployed condition of the airbag cushion;

[0039] FIG. 14 is a side elevational partial cross sectional view of a fully deployed airbag cushion of the present disclosure during a vehicle side impact; and

[0040] FIG. 15 is a side elevational partial cross sectional view of a fully deployed airbag cushion of the present disclosure during a vehicle front impact.

DETAILED DESCRIPTION

[0041] The following description is merely exemplary in nature and is not intended to limit the present disclosure, application, or uses.

[0042] Referring to FIG. 1, a cocoon airbag system 10 includes an L-shaped first airbag cushion 12 shown in an occupant sleeping position having a first side 14 initially configured in a vertical orientation positioned in direct contact with a vehicle compartment wall 16 of an automobile vehicle 18. The first side 14 is provided with at least one attachment member to connect the first side 14 to the vehicle compartment wall 16 including a first attachment member 20 and a second attachment member 22. The first airbag cushion 12 further includes a second side 24 initially positioned in a flat configuration providing a support surface for a first occupant 26 who may be sleeping in a horizontal orientation. The second side 24 is supported by direct contact with a substantially flat floor member 28 of the automobile vehicle 18.

[0043] A first end of the second side 24 of the first airbag cushion 12 includes a first retracting tether 30 and a first energy absorbing (EA) element 32 connected to the first side 14 and a second retracting tether 34 connected proximate to the first EA element 32. The first retracting tether 30 and the second retracting tether 34 together define a first tether pair, with tether individual connection points coupled with a first end 35 of the second side 24 of the first airbag cushion 12. The connection points may be separated by a spacing 36 such that the first retracting tether 30 and the second retracting tether 34 form a triangle-shape having an apex of the triangle-shape located proximate to the first EA element 32.

[0044] A second end of the second side 24 of the first airbag cushion 12 is connected by a third retracting tether 38 to the first side 14 and includes a second energy absorbing (EA) element 40. A fourth retracting tether 42 is also connected to the first side 14 proximate to the second EA element 40. The third retracting tether 38 and the fourth retracting tether 42 together define a second tether pair, with connection points of the third retracting tether 38 and the fourth retracting tether 42 with the second side 24 of the

first airbag cushion **12** separated by a spacing similar to the spacing **36** such that the third retracting tether **38** and the fourth retracting tether **42** form a triangle-shape having an apex located proximate to the second EA element **40**.

[0045] Referring to FIG. 2 and again to FIG. 1, the first airbag cushion **12** may be positioned in a first occupant sleeping compartment **44** of the automobile vehicle **18**, which may for example be positioned rearward of a driving compartment **46** provided for operational control of the automobile vehicle **18**. According to several aspects the automobile vehicle **18** may define an autonomously operated vehicle, a sport utility vehicle (SUV), a van, a truck, or the like. A second airbag cushion **12'**, shown and described in greater detail in reference to FIG. 3, may be positioned substantially parallel to the first airbag cushion **12** in a second occupant sleeping compartment **48** of the automobile vehicle **18**.

[0046] Referring to FIG. 3 and again to FIGS. 1 and 2, a cocoon airbag system **50** is modified from the cocoon airbag system **10** to provide the first airbag cushion **12** and the second airbag cushion **12'** in parallel configuration. A center dividing wall **52** or console separates the first occupant sleeping compartment **44** from second occupant sleeping compartment **48** and therefore separates the first occupant **26** from a second occupant **54** who may also be sleeping in a horizontal orientation. In lieu of connecting the first side **14** of the first airbag cushion **12** to the vehicle compartment wall **16** of the automobile vehicle **18**, the first side **14** of the first airbag cushion **12** may be connected to a first dividing wall face **58** of the center dividing wall **52**.

[0047] The second airbag cushion **12'** is similarly configured as the first airbag cushion **12** and includes a third side **60** initially configured in a vertical orientation and positioned in direct contact with a second dividing wall face **62** of the center dividing wall **52** oppositely facing with respect to the first dividing wall face **58**. The third side **60** is provided with at least one attachment member to connect the third side **60** to the second dividing wall face **62** similar to the configuration and function of the first attachment member **20** and the second attachment member **22** described in reference to FIG. 1. The second airbag cushion **12'** further includes a fourth side **64** initially positioned in a flat configuration providing a support surface for the second sleeping occupant **54**. The fourth side **64** is supported by direct contact with the substantially flat floor member **28** of the automobile vehicle **18**.

[0048] According to further aspects a first door **66** provides access to the first occupant sleeping compartment **44** and a second door **68** provides access to the second occupant sleeping compartment **48**. According to further aspects, the cocoon airbag system **50** operates with the second side **24** rolling upward and toward the first dividing wall face **58** to enclose the first occupant **26** and the fourth side **64** rolls in an opposite direction compared to the second side **24** such that the fourth side **64** rolls upward and toward the second dividing wall face **62**.

[0049] Referring to FIG. 4 and again to FIGS. 1 through 3, the second airbag cushion **12'** described in reference to FIG. 3 is similarly configured and operated as the first airbag cushion **12**, therefore the following discussion of the operation of the first airbag cushion **12** applies equally to the second airbag cushion **12'**. A top edge **70** of the first side **14** is constrained to move along a fore-aft direction **72** and thereby the first side **14** and the second side **24** may com-

monly move together in the fore-aft direction **72**. The first EA element **32** and the second EA element **40** define first and second tether mechanisms **74**, **74'** individually having a retractor to retract the paired tethers such as the first retracting tether **30** and the second retracting tether **34** and to retract the third retracting tether **38** and the fourth retracting tether **42** to pull a fabric of the first airbag cushion **12** upward enclose the first occupant **26**.

[0050] The first EA element **32** and the second EA element **40** including the first tether mechanism **74** and the second tether mechanism **74'** communicate with at least one sensor **76**. The sensor **76** defines a pre-crash sensor such as an accelerometer producing a signal signifying when a vehicle crash is imminent which requires deployment of the first airbag cushion **12**. The signal from the sensor **76** is forwarded to the first and second tether mechanisms **74**, **74'** which initiate retraction of the tethers. An additional fifth tether **78** may also be provided which extends approximately from the first attachment member **20** to a connection position of the first retracting tether **30** with the second side **24**. According to several aspects, the fifth tether **78** may be provided with its own EA element and may individually include a retractor and is also in communication with the sensor **76**. The fifth tether **78** shapes a smaller volume around a head **80** of the first occupant **26** after deployment of the first airbag cushion **12** to prevent a shoulder area or a foot area of the first occupant **26** from sliding through an open end of the first airbag cushion **12** in one of the fore-aft directions **72** when the first airbag cushion is in a deployed condition shown and described in reference to FIGS. 6, 7, 10 and 13 below.

[0051] Referring to FIG. 5 and again to FIG. 4, the first airbag cushion **12** may include a head protection portion **82** which is located proximate to the head **80** of the first occupant **26**. As the fifth tether **78** described in reference to FIG. 4 is retracted, the head protection portion **82** contracts about the head **80** in a deployed position shown in reference to FIGS. 6 and 7 below.

[0052] Referring to FIG. 6 and again to FIG. 5, the first airbag cushion **12** is shown in a contracted or fully deployed position, which totally encloses the first occupant **26** such that the first occupant **26** is not visible in this view. The first airbag cushion **12** together with the first occupant **26** are displaced toward the vehicle compartment wall **16** such that the first side **14'**, presented with an apostrophe to depict its inflated condition, is positioned between the first occupant **26** and the vehicle compartment wall **16**. The second side **24'**, also presented with an apostrophe to depict its inflated condition, holds the first occupant **26** against the first side **14'**.

[0053] Referring to FIG. 7 and again to FIGS. 5 and 6, with the head protection portion **82'** inflated the head protection portion **82'** wraps about the head **80** of the first occupant **26**. The first occupant **26** is frictionally retained between the inflated first side **14'** and the inflated second side **24'** and is restricted from fore-aft motion, for example in a forward displacement direction **84** by the inflated head protection portion **82'** which increases frictional contact with the first occupant **26**, adding to the frictional contact to the first occupant **26** due to the inflated first side **14'** and the inflated second side **24'**.

[0054] Referring to FIG. 8 and again to FIGS. 5 and 6, the tethers such as the first retracting tether **30** may be assisted using a substantially rigid first connecting arm **86** which is

fixed at a free end **88** to a far corner of the second side **24**. A rotating connection **90** rotatably connects the first connecting arm **86** to the vehicle compartment wall **16**. A substantially rigid second connecting arm **92** which is similar to the first connecting arm **86** may be connected at an opposite edge of the second side **24**.

[0055] Referring to FIG. **9** and again to FIG. **8**, upon receipt of the signal from the sensor **76** the tethers begin to retract to collapse the second side **24** about the first occupant **26** and the first EA element **32** and the second EA element **40** thereafter control and restrict a fore-aft motion of the first occupant **26**. The first connecting arm **86** and the second connecting arm **92** rotate and help retain a shape of the second side **24** as the second side **24** rotates and begins to enclose the first occupant **26**.

[0056] Referring to FIG. **10** and again to FIGS. **8** and **9**, at a deployed condition or position of the first airbag cushion **12** the inflated and retracted second side **24'** encloses the first occupant **26**. The free end **88** of the first connecting arm **86** contacts the vehicle compartment wall **16** to stop rotation of the now inflated second side **24**. The second connecting arm **92** described in reference to FIGS. **8** and **9** is also fully rotated similar to the first connecting arm **86** and is not visible in this view.

[0057] Referring to FIG. **11** and again to FIGS. **1**, **3**, and **8** through **10**, a cocoon airbag system **94** is modified from the cocoon airbag system **10** and the cocoon airbag system **50** to provide a guide arm **96** positioned proximate to the first connecting arm **86**. According to several aspects, the guide arm **96** provides a tracking path for the first connecting arm **86**. The guide arm **96** may also stiffen the normal or L-shape of the first airbag cushion **12** and provide a location for the first occupant **26** to position the head **80**.

[0058] Referring to FIG. **12** and again to FIG. **11**, upon receipt of the signal from the sensor **76** the tethers begin to retract using the first EA element **32** and the second EA element **40**. The first connecting arm **86** and the second connecting arm **92** rotate and help retain a shape of the second side **24** as the second side **24** rotates and begins to enclose the first occupant **26**. The guide arm **96** may guide a path of travel or rotating motion of the first connecting arm **86** as the first connecting arm **86** rotates.

[0059] Referring to FIG. **13** and again to FIGS. **11** and **12**, at a deployed position of the cocoon airbag system **94** the inflated and retracted second side **24'** encloses the first occupant **26**. The free end **88** of the first connecting arm **86** contacts the vehicle compartment wall **16** to stop rotation of the now inflated second side **24'**. The second connecting arm **92** is also fully rotated similar to the first connecting arm **86** and is not visible in this view. The guide arm **96** continues to frame the second side **24'** and may also act to restrict displacement of the cocoon airbag system **94** airbag cushion.

[0060] Referring to FIG. **14** and again to FIGS. **1** through **13**, an airbag cushion of the present disclosure such as the first airbag cushion **12** surrounds and encapsulates the occupant such as the first occupant **26** in a fully deployed condition shown. In the fully deployed condition multiple airbag sections such as an exemplary airbag section **98** are fully inflated to provide substantially 360-degree circumferential coverage of the occupant when the occupant is accelerated in a side impact direction **100**. The head protection portion **82'** when present and fully inflated also protects the head **80**.

[0061] Referring to FIG. **15** and again to FIGS. **1** through **14**, an airbag cushion of the present disclosure such as the

first airbag cushion **12** surrounds and encapsulates the occupant such as the first occupant **26** in the fully deployed condition shown. In the fully deployed condition multiple airbag sections such as the exemplary airbag section **98** are fully inflated to provide substantially 360-degree circumferential coverage of the occupant and frictionally resist fore-aft displacement of the occupant when the occupant is accelerated in a fore-aft impact direction **102**. The head protection portion **82'** when present and fully inflated also restricts fore-aft motion of the shoulders toward a restricted opening created in the inflated head protection portion **82'** for example near the head **80**.

[0062] A cocoon airbag system of the present disclosure offers several advantages. These include an airbag cushion designed to protect a sleeping occupant in a vehicle crash coming from all or any direction. In the event of a vehicle crash, the cocoon airbag cushion of the present disclosure will roll-up and hold the occupant firmly inside the airbag cushion. The airbag cushion is also equipped with energy absorbing (EA) elements to reduce the forces acting on the occupant.

[0063] The deployable cocoon airbag systems of the present disclosure enclose, restrain and protect a sleeping occupant from impacts to the automobile vehicle coming from various or any direction. The tethers of the present disclosure act to enclose the occupant inside the cocoon airbag cushion by providing a desired airbag cushion shape to engage the occupant's shoulder or shoulders and head for protection. By inflating cushion sections of the airbag cushion and rolling the airbag cushion into a cocoon-like chamber the pressurized airbag cushion firmly and frictionally grips the occupant and to protect the occupant from contacting or striking violently into a vehicle interior or from exiting from the airbag cushion.

[0064] For impacts from a head-to-feet direction, the presently disclosed system when equipped with the EA designs described herein can reduce the occupant's deceleration and hence minimize potential occupant injury. For vehicle side impacts, the inflated cocoon airbag cushion of the present disclosure provides cushion protection for the occupant when impacted directly from vehicle interior components.

[0065] The cocoon airbag system of the present disclosure is self-sufficient in protecting a sleeping occupant and is insensitive to an occupant's sleep position, whether lying flat or if the occupant is sleeping on a side of the occupant. The airbag cushion system of the present disclosure also works independently of a traditional 3-point seat belt.

[0066] An airbag cushion deployment sequence with respect to vehicle impact timing may be as follows: 1) The sensor **76** determines that a severe crash is imminent and requires airbag deployment to protect a sleeping occupant. 2) At "x" msec prior to the impact wherein "x" msec defines a predetermined value of msec, the "tether mechanism" at ends of the cocoon airbag cushion upper edge pull the two ends of the second side toward the upper edge of the first side and roll/enclose the sleeping occupant. 3) At the onset of an impact, the cocoon airbag cushion begins to inflate to enclose the occupant for protection. 4) The airbag cushion when fully inflated firmly frictionally grips the occupant. 5) Built-in EA elements between the airbag cushion and the vehicle interior dissipate fore/aft impact energy acting on the occupant and minimize potential injury.

[0067] An L-shape airbag cushion, placed underneath a lie-flat occupant, deploys, rolls, and encloses the occupant

from head-to-toe like a cocoon and protects the occupant from crash impact in all directions. The inflated cocoon airbag cushion will restrain and protect the occupant during a vehicle crash in all impact directions. Energy Absorbing (EA) elements placed between the cocoon airbag cushion and the vehicle compartment will activate to reduce the occupant's deceleration and minimize potential injury during front, rear, and side impacts.

[0068] The description of the present disclosure is merely exemplary in nature and variations that do not depart from the gist of the present disclosure are intended to be within the scope of the present disclosure. Such variations are not to be regarded as a departure from the spirit and scope of the present disclosure.

What is claimed is:

1. An automobile vehicle deployable cocoon airbag system, comprising:

an airbag cushion including:

- a first side oriented in a vertical configuration in a non-deployed condition;
- a second side oriented substantially ninety degrees from the first side in the non-deployed condition adapted to receive an occupant on the second side providing an occupant sleeping position;

at least one retracting tether connected to the first side and the second side and retracted using a retraction mechanism, the retraction mechanism acting upon receipt of a signal to retract the at least one retracting tether and pull the second side toward the first side thereby enclosing the occupant between the first side and the second side in a deployed condition of the airbag cushion; and

at least one energy absorbing (EA) element connected to the airbag cushion acting to restrict a fore-aft motion of the airbag cushion.

2. The automobile vehicle deployable cocoon airbag system of claim 1, wherein the at least one retracting tether includes:

- at least a first retracting tether connected at a first end of the first side and at a first end of the second side; and
- at least a second retracting tether connected at a second end of the first side and at a second end of the second side.

3. The automobile vehicle deployable cocoon airbag system of claim 2, wherein the first retracting tether defines a first retracting tether pair and the second retracting tether defines a second retracting tether pair, the first retracting tether pair and the second retracting tether pair having connection points of the first retracting tether pair with the first end of the second side and having connection points of the second retracting tether pair with the second end of the second side.

4. The automobile vehicle deployable cocoon airbag system of claim 3, wherein the at least one EA element defines a first EA element and a second EA element.

5. The automobile vehicle deployable cocoon airbag system of claim 4, wherein the connection points of first retracting tether pair are separated by a first spacing and the connection points of the second retracting tether pair are separated by a second spacing such that the first retracting tether pair form a triangle-shape having an apex located at the first EA element and the second retracting tether pair form a triangle-shape having an apex located at the second EA element.

6. The automobile vehicle deployable cocoon airbag system of claim 2, further including:

a head area of the airbag cushion extending from the first end of the first side and the first end of the second side; and

a unitary tether connected to the head area, the unitary tether retracted upon receipt of the signal to shape a volume of the head area around a head of the occupant during deployment of the head area to prevent a shoulder area of the occupant from sliding through an open end of the airbag cushion in a fore-aft direction when the airbag cushion is in the deployed condition.

7. The automobile vehicle deployable cocoon airbag system of claim 1, further including a sensor communicating with the at least one energy absorbing element, the sensor generating the signal.

8. The automobile vehicle deployable cocoon airbag system of claim 7, wherein the sensor defines a pre-crash sensor defining an accelerometer wherein the signal is generated by the sensor signifying when a vehicle crash is imminent requiring deployment of the airbag cushion.

9. The automobile vehicle deployable cocoon airbag system of claim 1, further including multiple airbag sections of the airbag cushion which upon receipt of the signal are inflated to provide substantially 360-degree circumferential coverage of the occupant.

10. The automobile vehicle deployable cocoon airbag system of claim 1, including:

- a substantially rigid connecting arm fixed at a free end to a corner of the second side;
- a rotating connection rotatably connecting the connecting arm to a vehicle compartment wall; and
- a guide arm positioned proximate to the connecting arm and providing a tracking path for a travel motion of the connecting arm.

11. A deployable cocoon airbag system, comprising:

a first airbag cushion including:

- a first side oriented in a vertical configuration in a non-deployed condition and movably attached to a wall face of an automobile vehicle; and
- a second side oriented substantially ninety degrees from the first side in the non-deployed condition adapted to receive an occupant on the second side providing an occupant sleeping position;

at least one retracting tether connected to the first side and the second side and retracted using a retraction mechanism, the retraction mechanism acting upon receipt of a sensor signal to retract the at least one retracting tether and pull the second side toward the first side thereby enclosing the occupant between the first side and the second side in a deployed condition of the airbag cushion;

multiple airbag sections of the airbag cushion which upon receipt of the sensor signal are inflated to provide substantially 360-degree circumferential coverage of the occupant in the deployed condition during a side impact to the automobile vehicle; and

at least one energy absorbing (EA) element connected to the first side of the airbag cushion restricting a fore-aft motion of the airbag cushion.

12. The deployable cocoon airbag system of claim 11, further including a second airbag cushion similarly configured to the first airbag cushion, the second airbag cushion positioned oppositely about a center dividing wall within the automobile vehicle with respect to the first airbag cushion.

13. The deployable cocoon airbag system of claim 12, wherein the first side of the first airbag cushion is connected

to a first wall face of the center dividing wall and a third side of the second airbag cushion is connected to a second wall face of the center dividing wall.

14. The deployable cocoon airbag system of claim **12**, wherein the first airbag cushion is positioned in a first occupant sleeping compartment of the automobile vehicle and the second airbag cushion is positioned in a second occupant sleeping compartment of the automobile vehicle.

15. The deployable cocoon airbag system of claim **12**, wherein the first airbag cushion and the second airbag cushion are aligned in a fore-aft configuration allowing limited motion of the first airbag cushion and the second airbag cushion in the fore-aft motion limited by the at least one EA element.

16. The deployable cocoon airbag system of claim **11**, further including a head area of the first airbag cushion extending from a first end of the first side and a first end of the second side.

17. The deployable cocoon airbag system of claim **16**, wherein the head area is inflated upon receipt of the sensor signal about a head of the occupant to prevent a shoulder area of the occupant from sliding through an open end of the first airbag cushion in a fore-aft direction.

18. A method for protecting an occupant of an automobile vehicle using an airbag cushion, comprising:

generating a signal from a pre-crash sensor identifying that a vehicle crash is imminent and requires deployment of the airbag cushion to protect an occupant sleeping on the airbag cushion;

pulling an end of a second side of the airbag cushion toward an edge of a first side of the airbag cushion to roll/enclose the occupant at a predetermined time of “x” msec prior to a crash impact using a tether mechanism; and

enclosing the occupant between the first side and the second side of the airbag cushion for occupant protection at an onset of the crash impact.

19. The method of claim **18**, further including dissipating fore/aft impact energy acting on the occupant using energy absorbing elements positioned between the airbag cushion and a vehicle interior.

20. The method of claim **18**, further including inflating the airbag cushion to firmly grip the occupant between the first side and the second side of the airbag cushion.

* * * * *