



US011271355B2

(12) **United States Patent**  
**Clemen, Jr. et al.**

(10) **Patent No.:** **US 11,271,355 B2**  
(45) **Date of Patent:** **Mar. 8, 2022**

(54) **APPARATUS AND METHOD FOR GENERATING A HIGH POWER ENERGY BEAM BASED LASER**

(58) **Field of Classification Search**  
CPC ..... H01S 3/0326; H01S 3/0959; H01S 3/102;  
H01S 3/0975; H01S 3/07; H01S 3/10092;  
H01S 3/0903

(71) Applicant: **The Boeing Company**, Chicago, IL (US)

See application file for complete search history.

(72) Inventors: **Mark Joseph Clemen, Jr.**, Port Orchard, WA (US); **John R. Hull**, Sammamish, WA (US)

(56) **References Cited**

U.S. PATENT DOCUMENTS

3,801,942 A 4/1974 Elsel  
4,217,171 A 8/1980 Schaffer

(Continued)

(73) Assignee: **The Boeing Company**, Chicago, IL (US)

OTHER PUBLICATIONS

(\*) Notice: Subject to any disclaimer, the term of this patent is extended or adjusted under 35 U.S.C. 154(b) by 0 days.

Wikipedia; "Free-electron laser," downloaded from <https://en.wikipedia.org/wiki/Free-electron\_laser> on Oct. 13, 2017, 8 Pages.

(Continued)

(21) Appl. No.: **16/874,367**

*Primary Examiner* — Xinning (Tom) Niu

(22) Filed: **May 14, 2020**

(74) *Attorney, Agent, or Firm* — Sage Patent Group

(65) **Prior Publication Data**

US 2020/0280160 A1 Sep. 3, 2020

(57) **ABSTRACT**

**Related U.S. Application Data**

(62) Division of application No. 15/785,022, filed on Oct. 16, 2017, now Pat. No. 10,680,400.

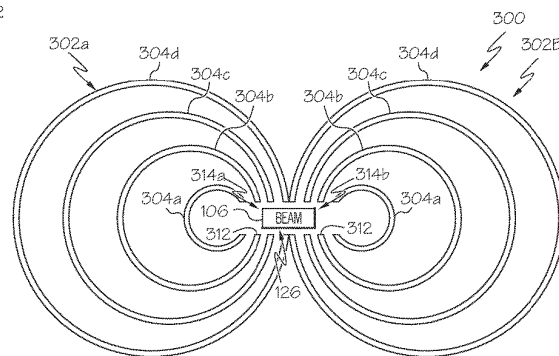
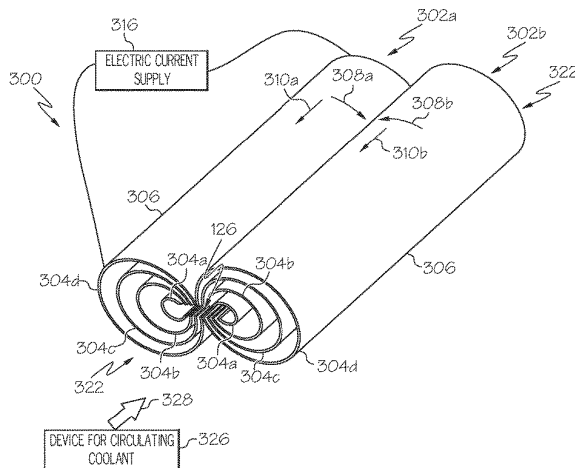
A system for generating an energy beam based laser includes an apparatus for receiving an energy beam and for generating an energy beam based laser. The apparatus is configurable or controllable for tuning an output wavelength of the laser generated by the apparatus using the energy beam. The apparatus includes a first component for producing a first magnetic field oriented in a first direction and a second component for producing a second magnetic field oriented in a second direction substantially opposite to the first direction. A channel through the apparatus is defined by the first component and the second component through which the energy beam passes to generate the laser at an output of the apparatus. The apparatus is configurable or controllable for modifying at least one of the first magnetic field and the second magnetic field for tuning the output wavelength of the laser.

(51) **Int. Cl.**  
**H01S 3/0959** (2006.01)  
**H01S 3/032** (2006.01)

(Continued)

(52) **U.S. Cl.**  
CPC ..... **H01S 3/0326** (2013.01); **H01S 3/07** (2013.01); **H01S 3/0959** (2013.01);  
(Continued)

**20 Claims, 16 Drawing Sheets**



(51)	<b>Int. Cl.</b>		5,011,820 A	4/1991	Ehrhart et al.	
	<i>H01S 3/07</i>	(2006.01)	5,675,304 A	10/1997	Georgiyevskiy	
	<i>H01S 3/0975</i>	(2006.01)	6,222,434 B1	4/2001	Nick	
	<i>H01S 3/102</i>	(2006.01)	6,445,130 B1 *	9/2002	Leupold .....	H01F 7/0278
	<i>H01S 3/10</i>	(2006.01)				315/4
			7,889,042 B2	2/2011	Meinke	
(52)	<b>U.S. Cl.</b>		2003/0184427 A1	10/2003	Gavrilin et al.	
	CPC .....	<i>H01S 3/0975</i> (2013.01); <i>H01S 3/102</i> (2013.01); <i>H01S 3/10092</i> (2013.01)	2009/0278647 A1	11/2009	Buswell	
			2012/0313554 A1 *	12/2012	Heid .....	H05H 5/04 315/503
			2016/0049229 A1	2/2016	Bromberg et al.	
(56)	<b>References Cited</b>		2019/0115713 A1	4/2019	Clemen, Jr. et al.	

U.S. PATENT DOCUMENTS

4,277,768 A	7/1981	Burgeson et al.	
4,305,784 A	12/1981	Ohkawa	
4,920,095 A	4/1990	Ishigaki et al.	
5,010,555 A *	4/1991	Madey .....	H01S 3/0903 372/100

OTHER PUBLICATIONS

Motz, H.; "Applications of the Radiation from Fast Electron Beams,"  
Journal of Applied Physics, 1951, pp. 527-535, vol. 22.

\* cited by examiner

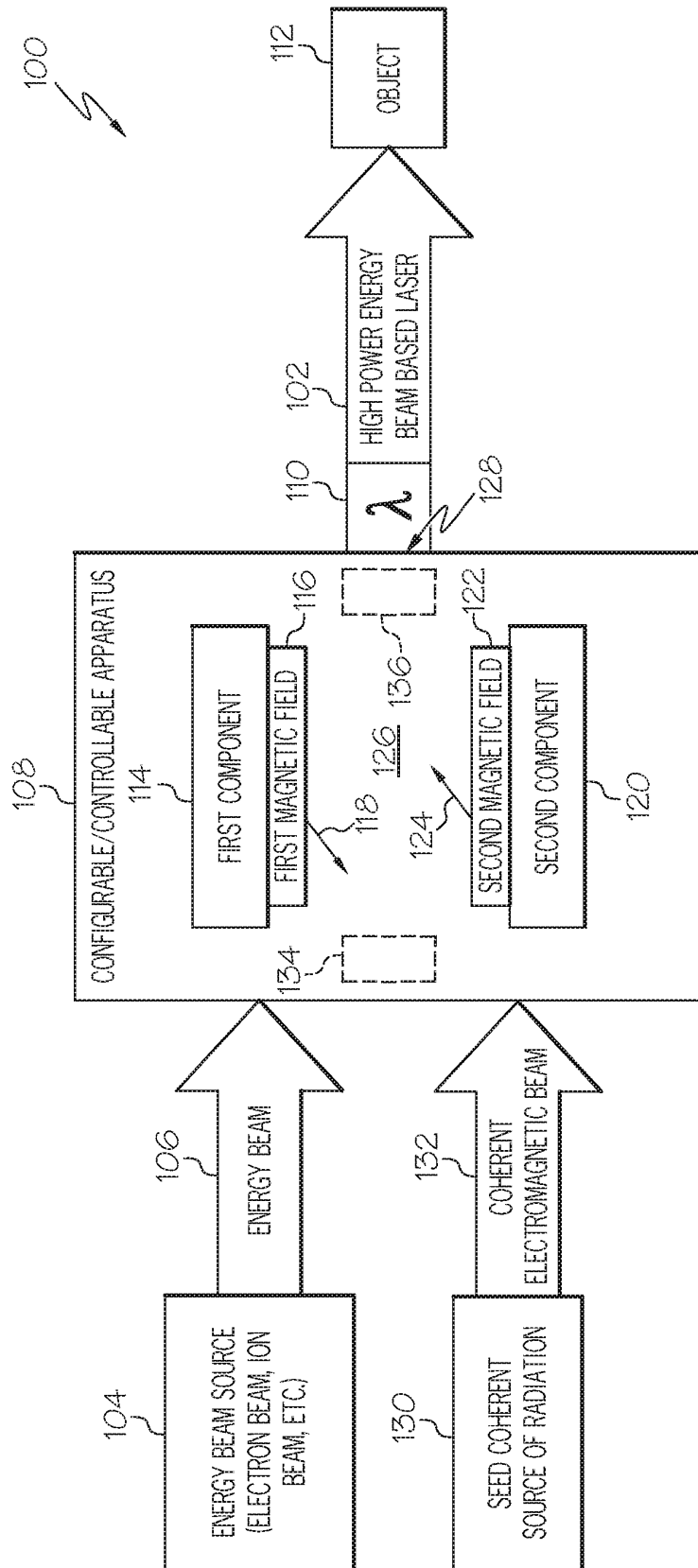


FIG. 1

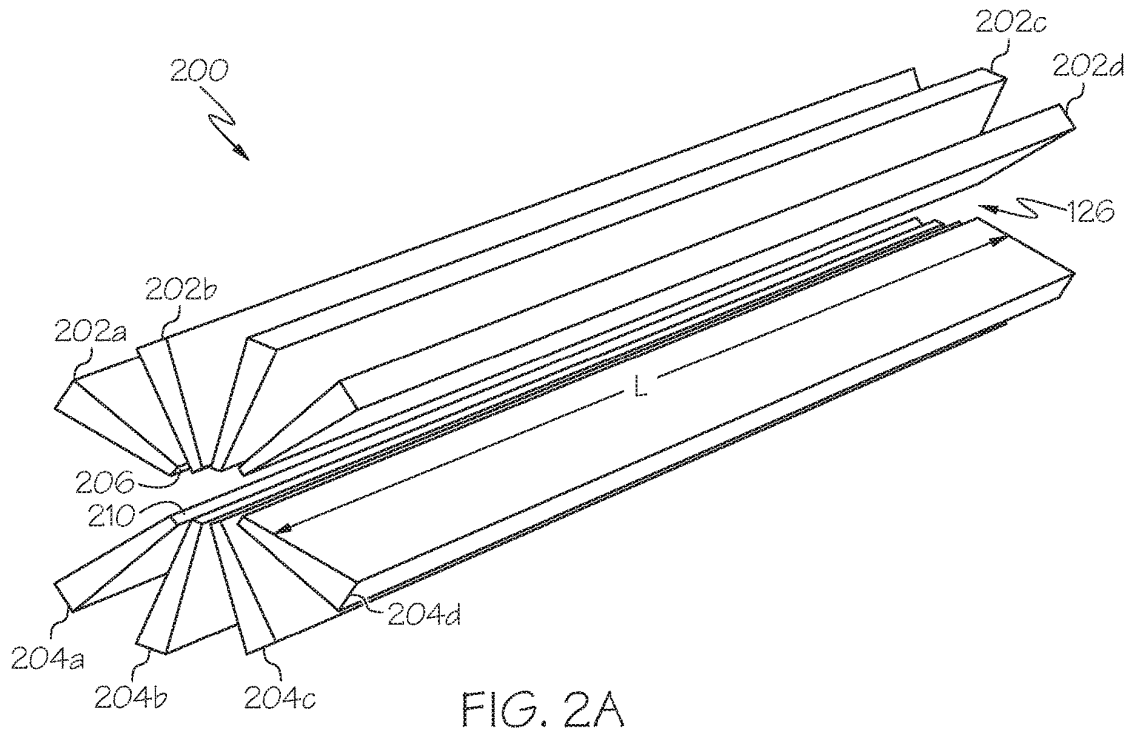


FIG. 2A

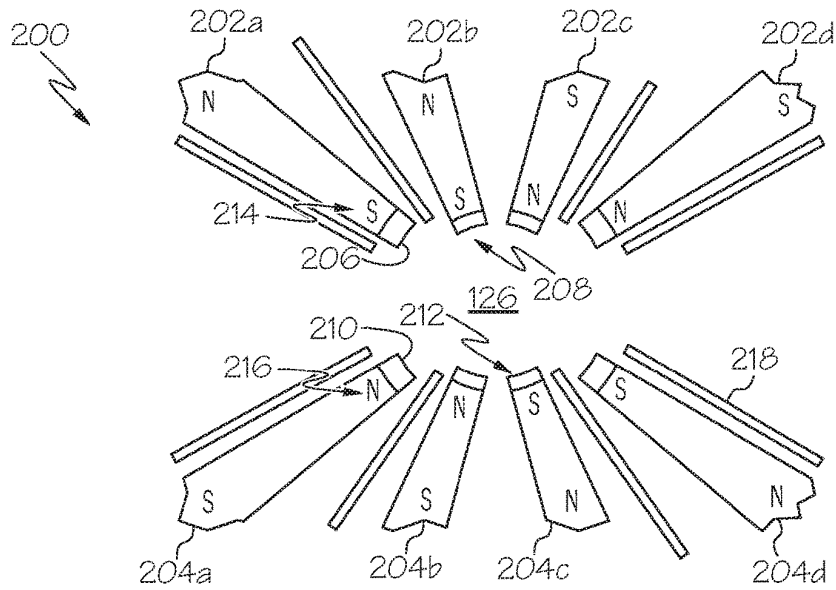


FIG. 2B

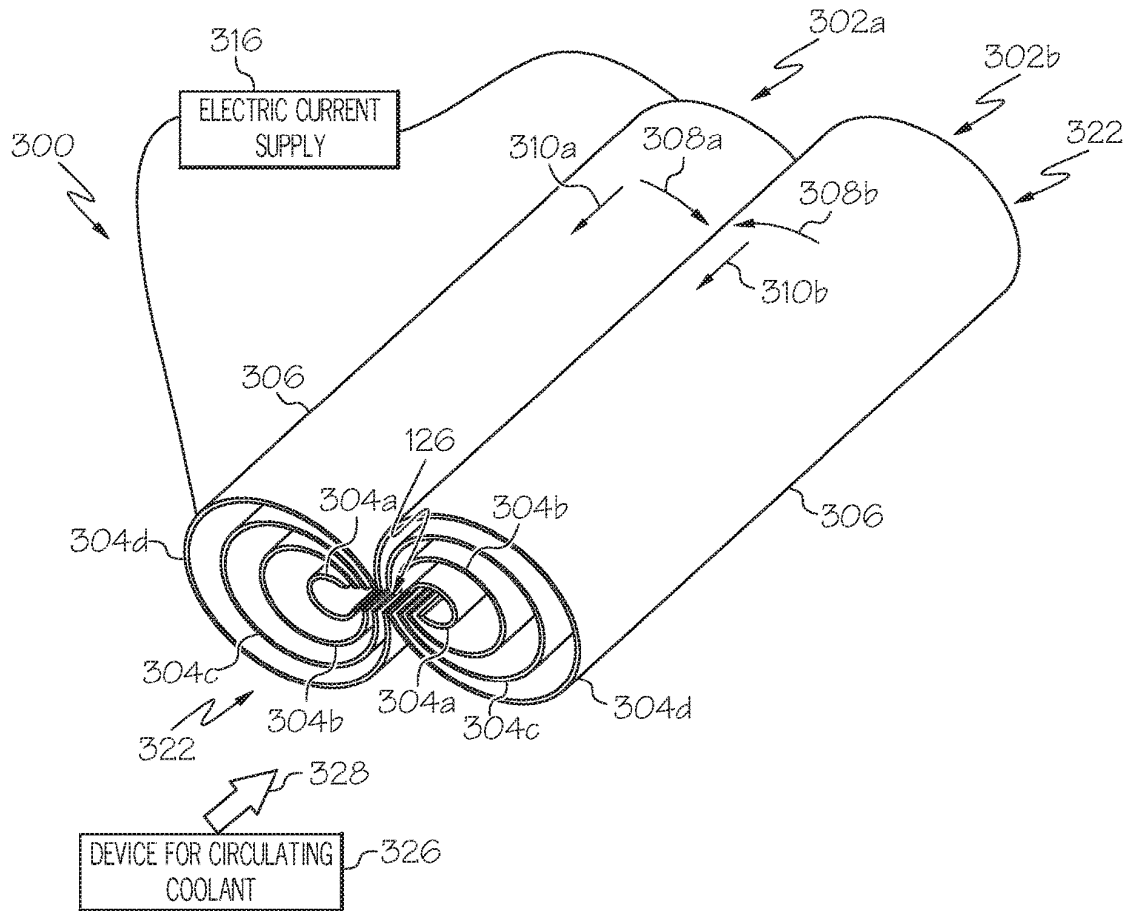


FIG. 3A

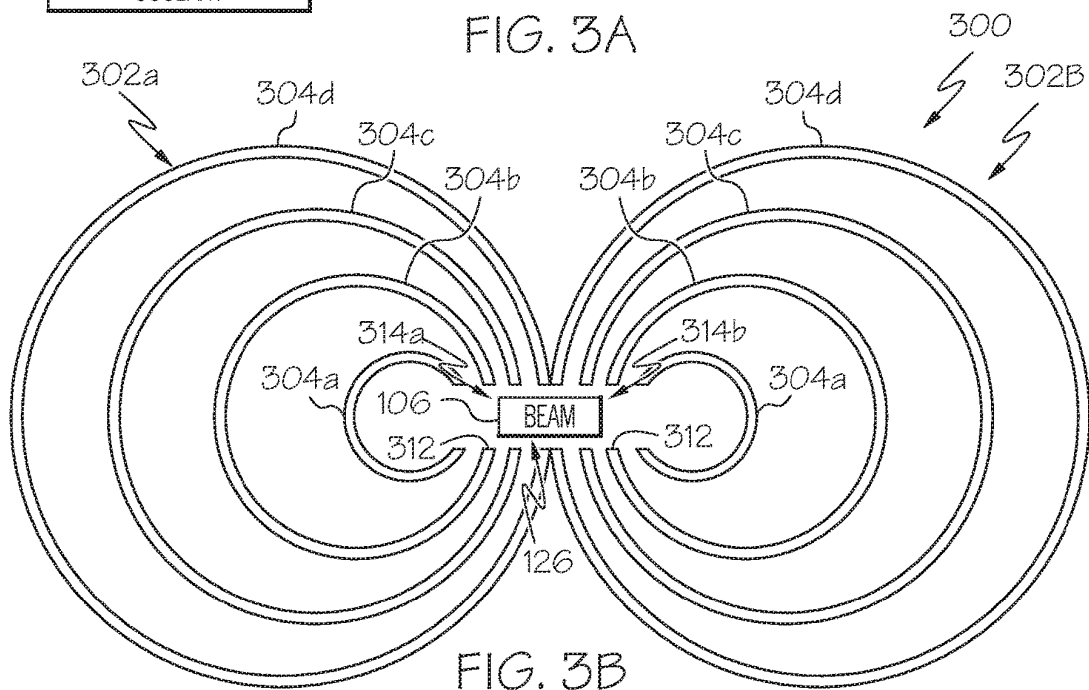


FIG. 3B

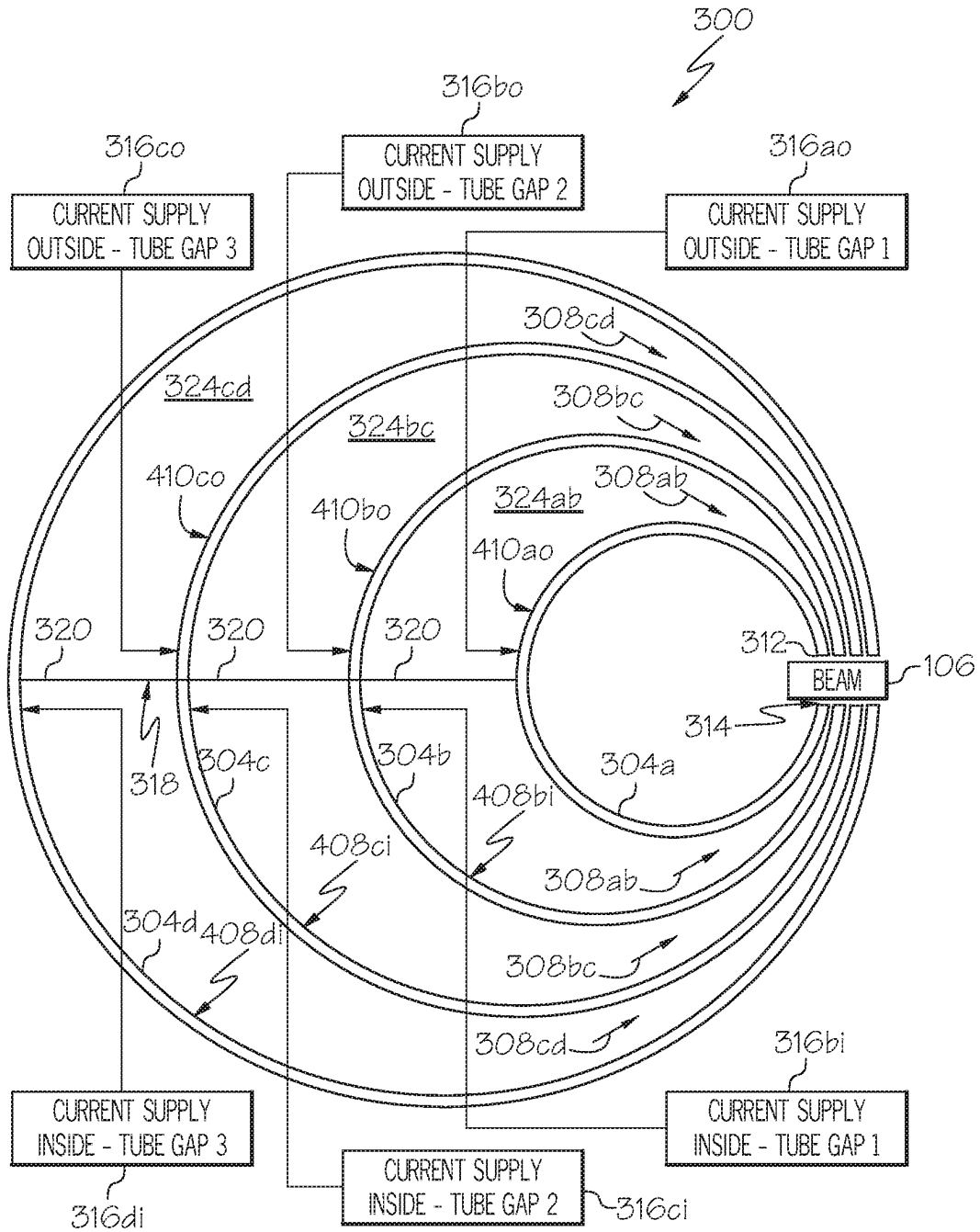


FIG. 3C

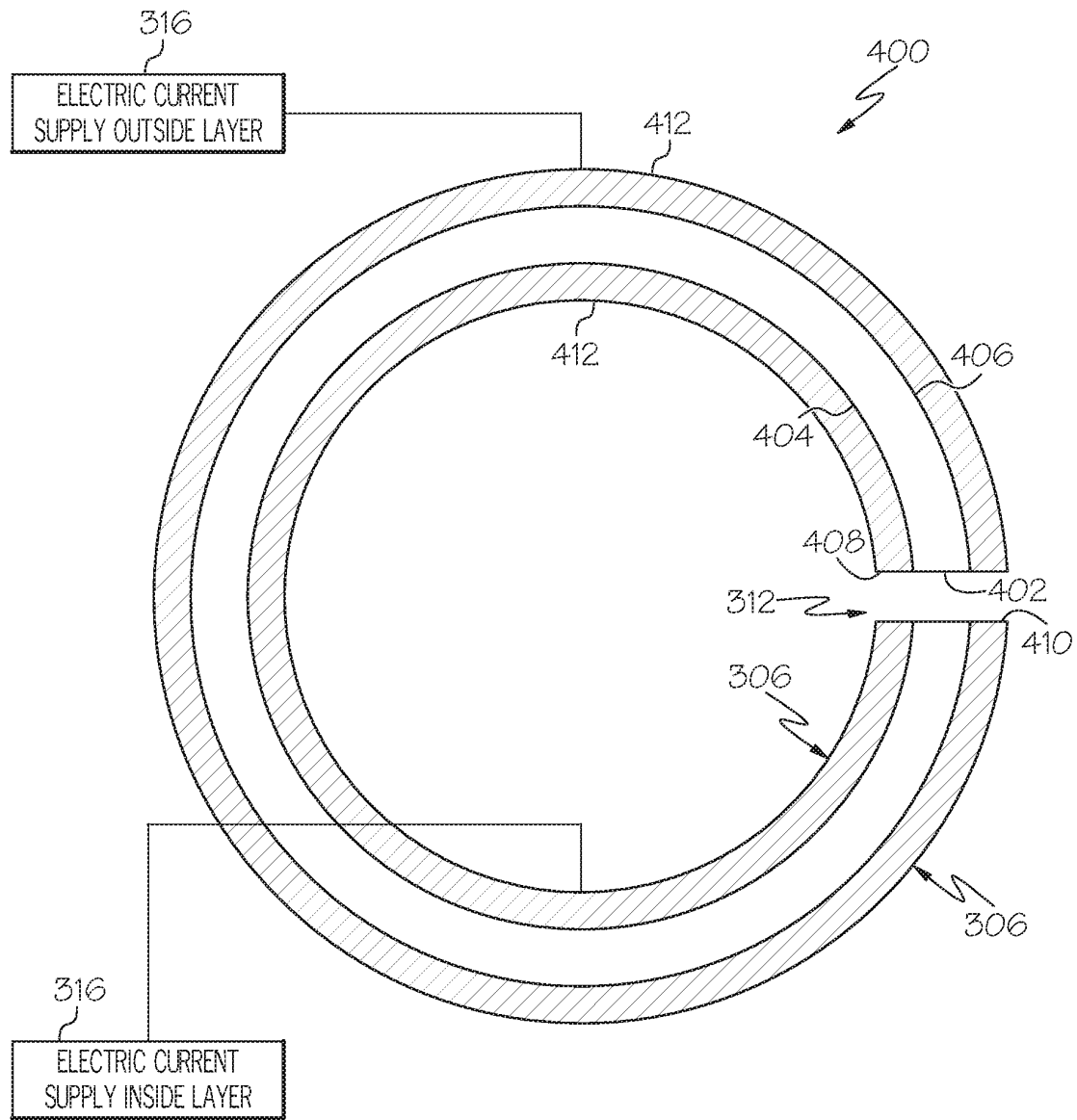


FIG. 4

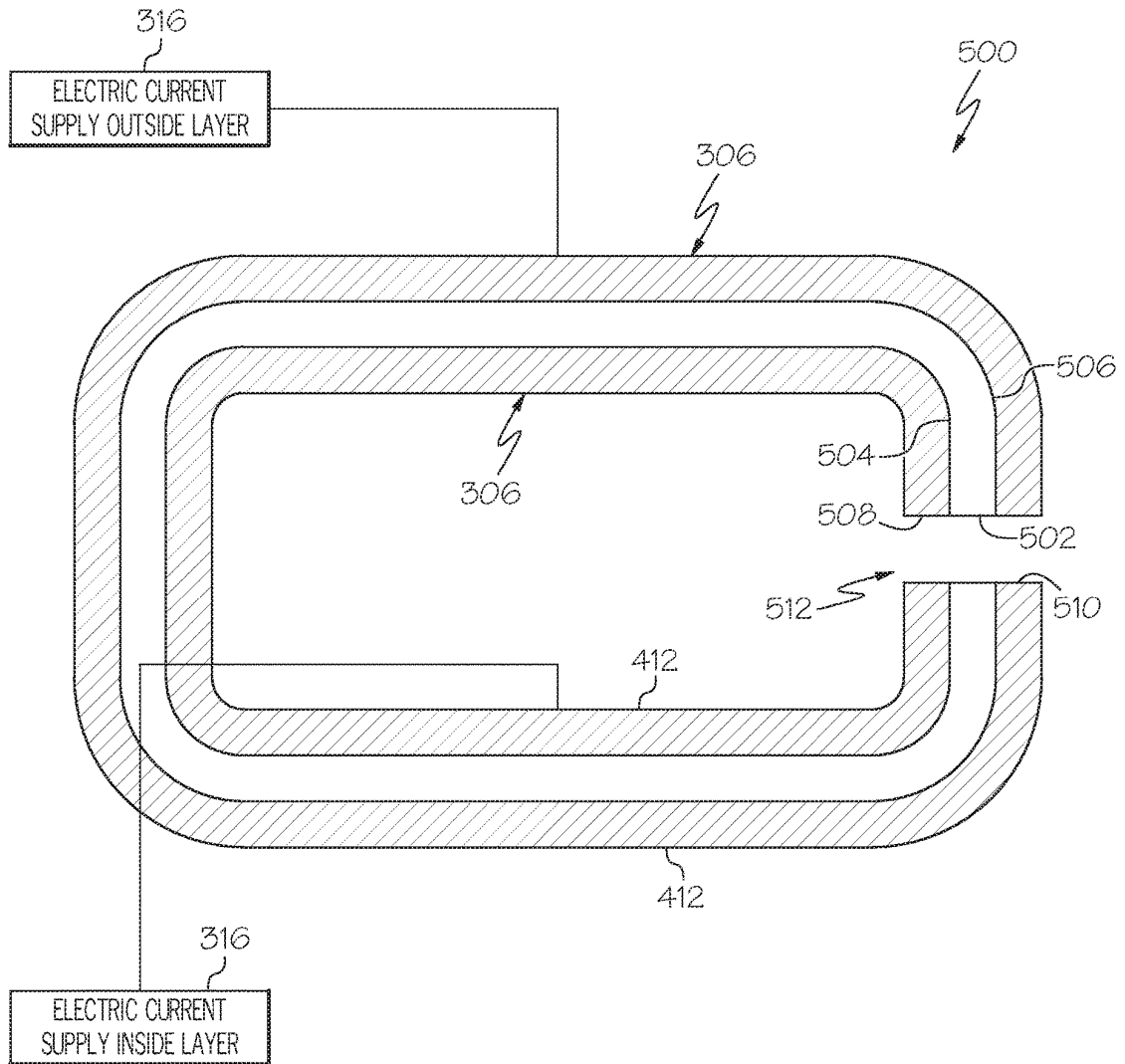
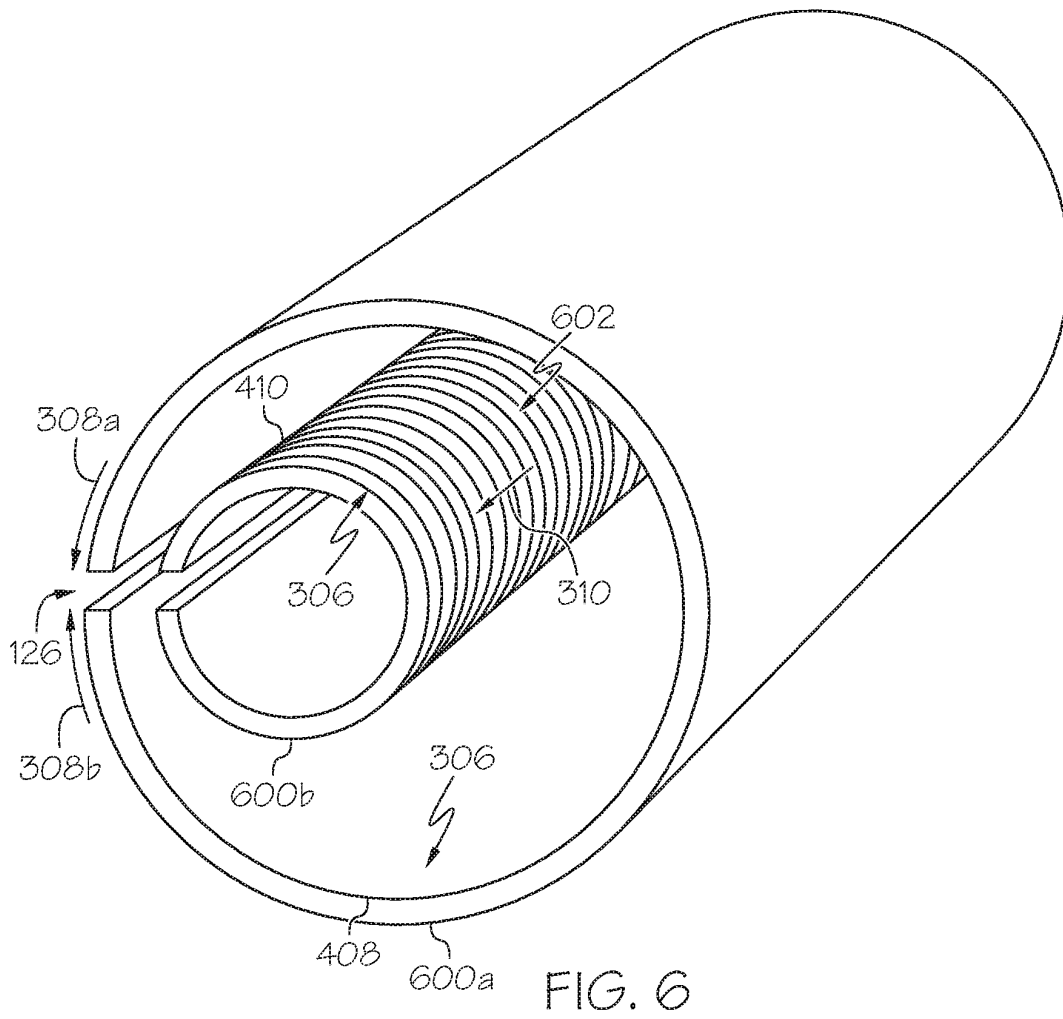


FIG. 5





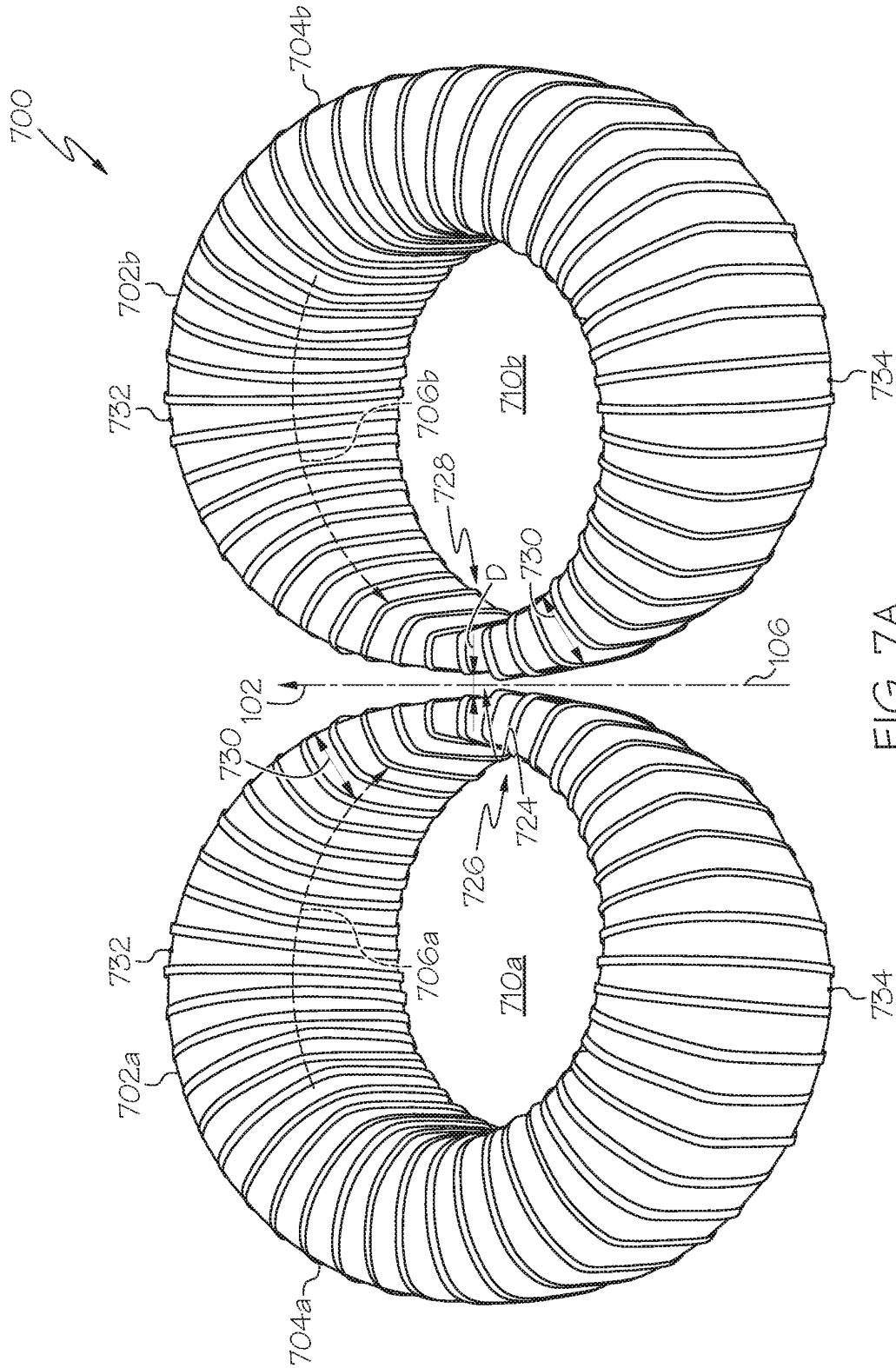


FIG. 7A

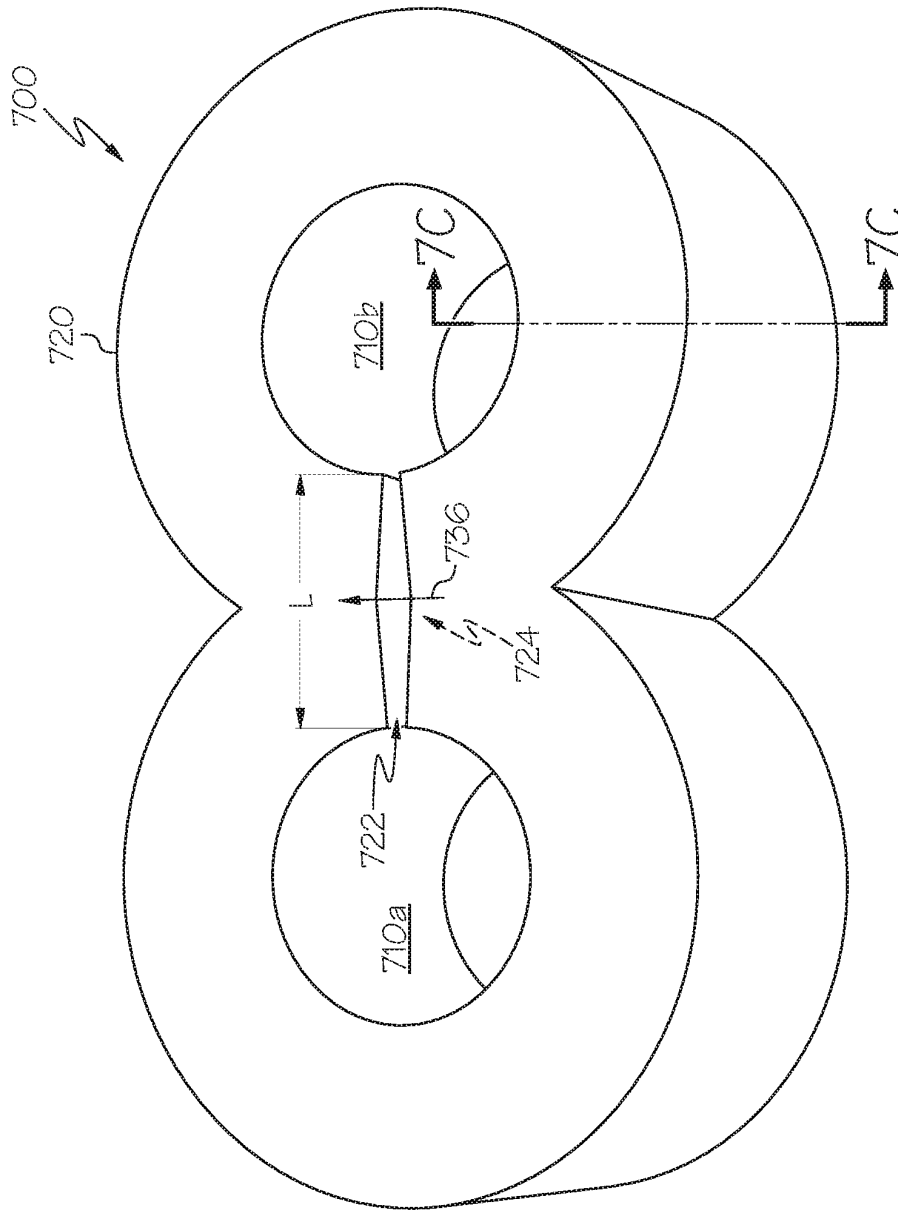


FIG. 7B

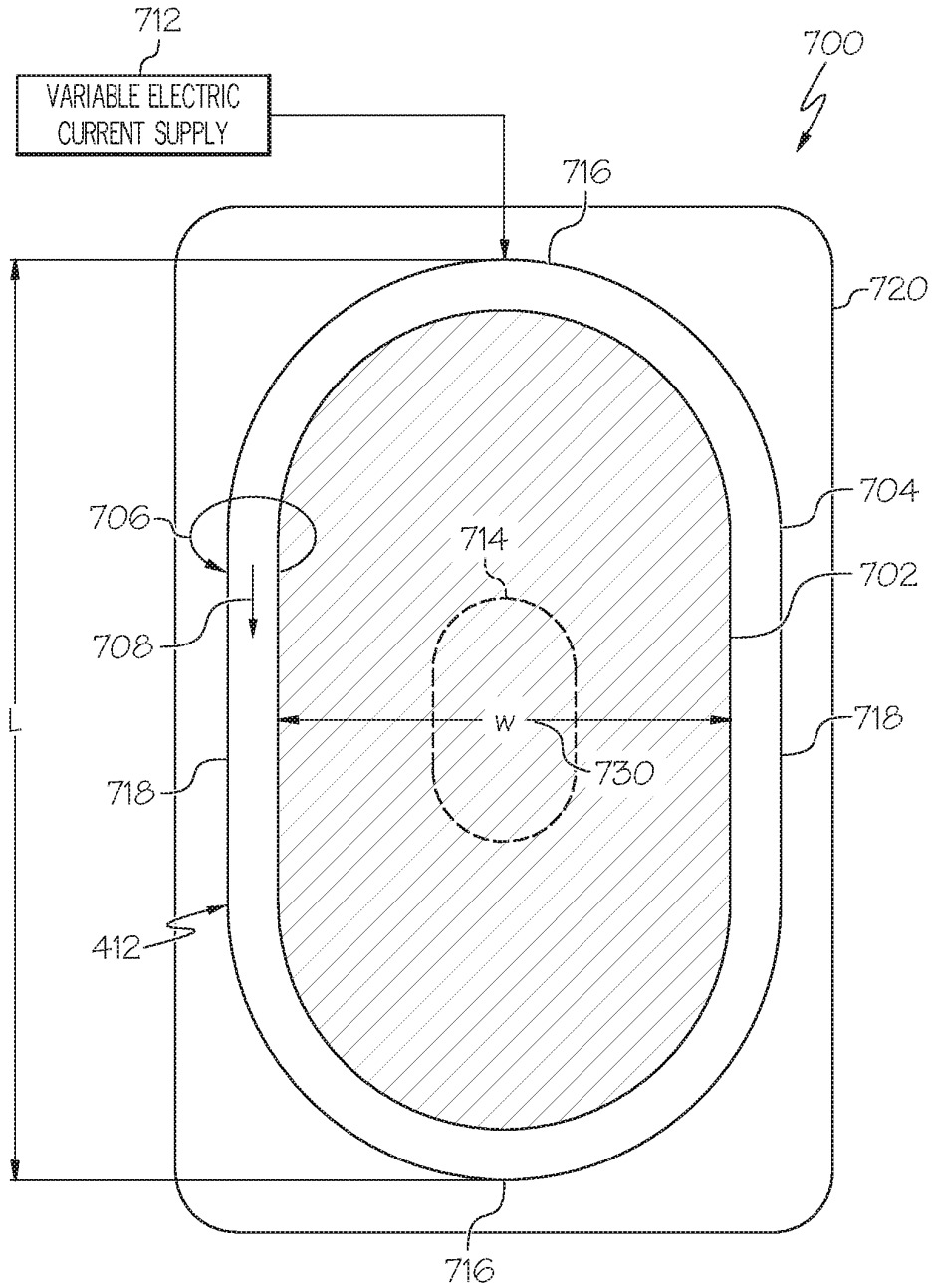


FIG. 7C

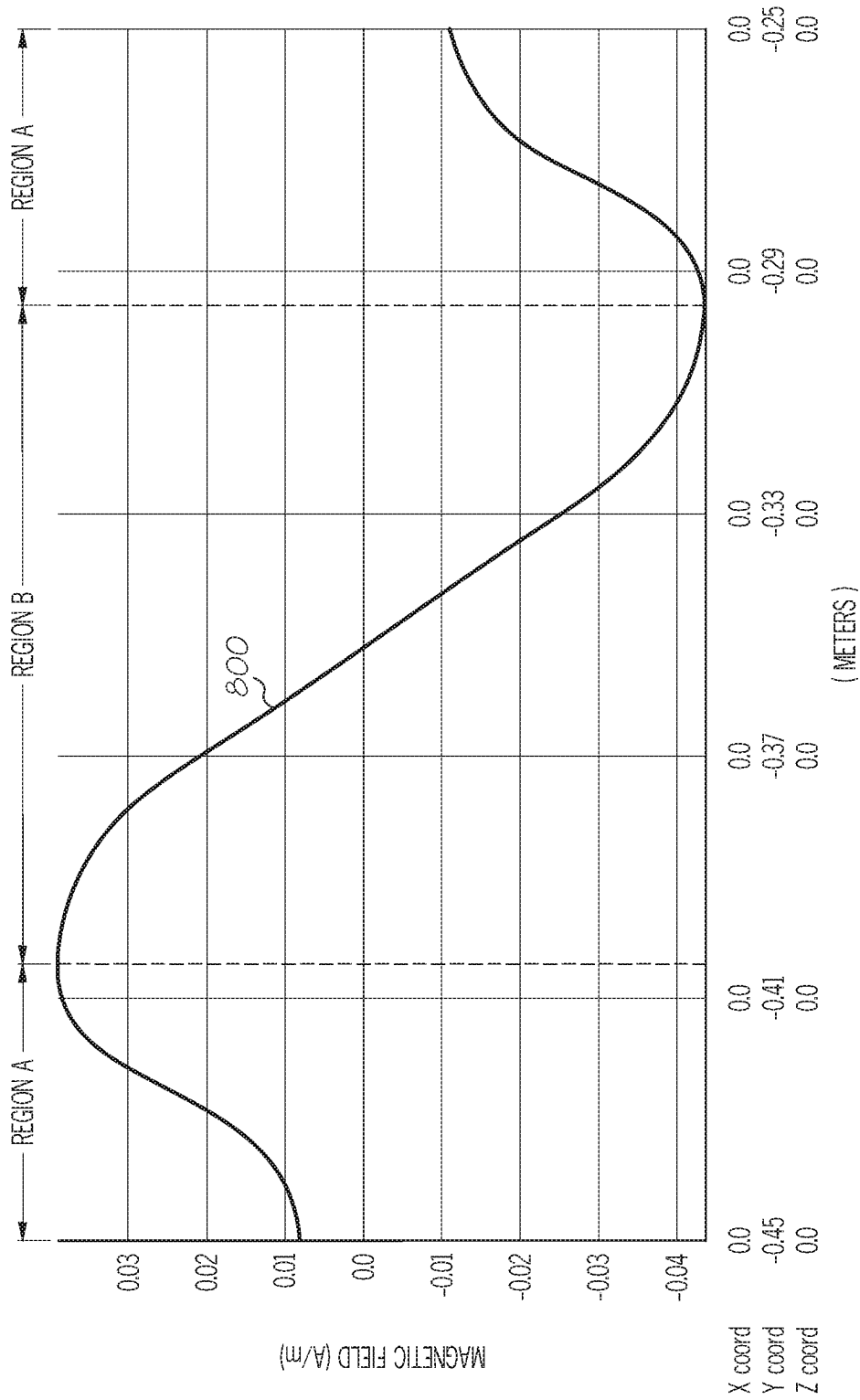


FIG. 8

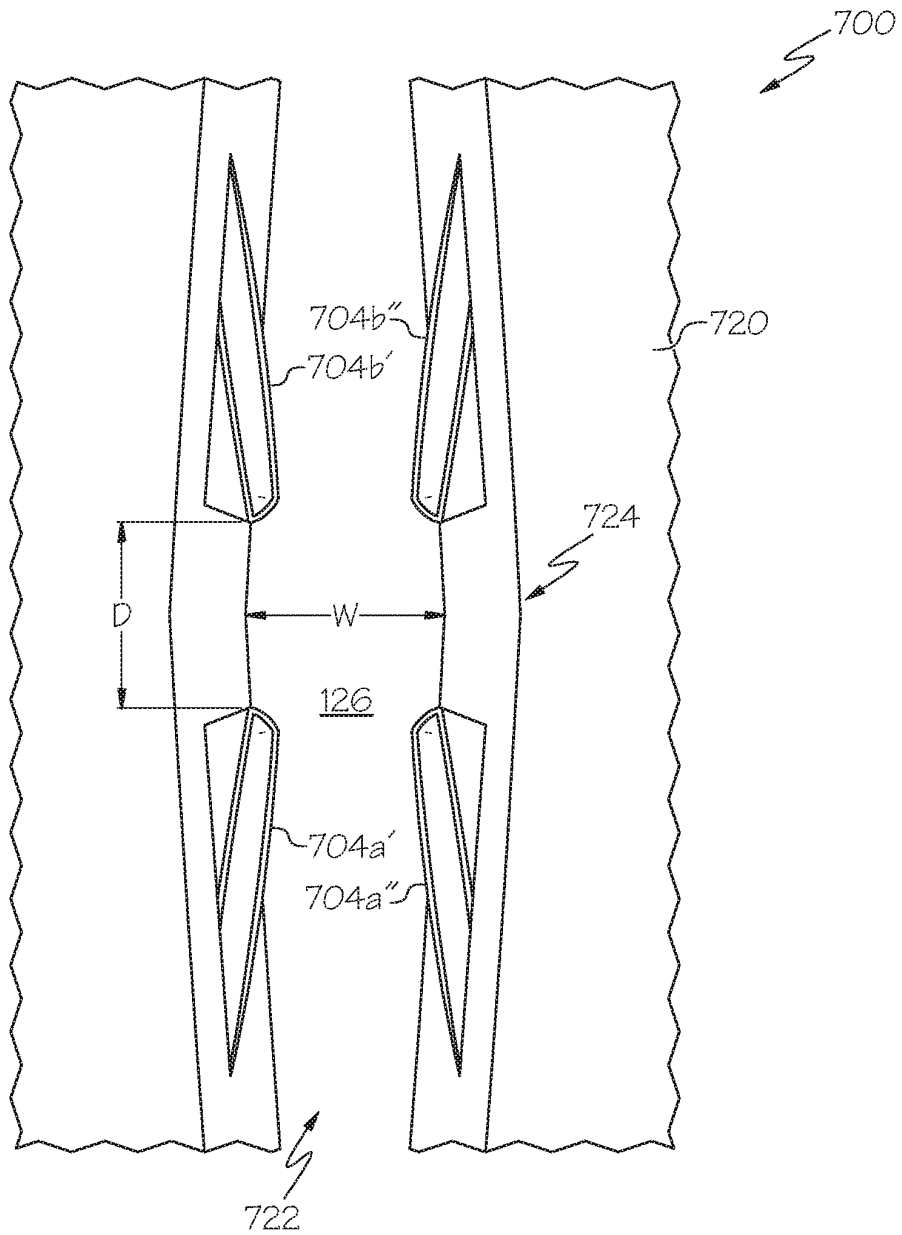


FIG. 9A

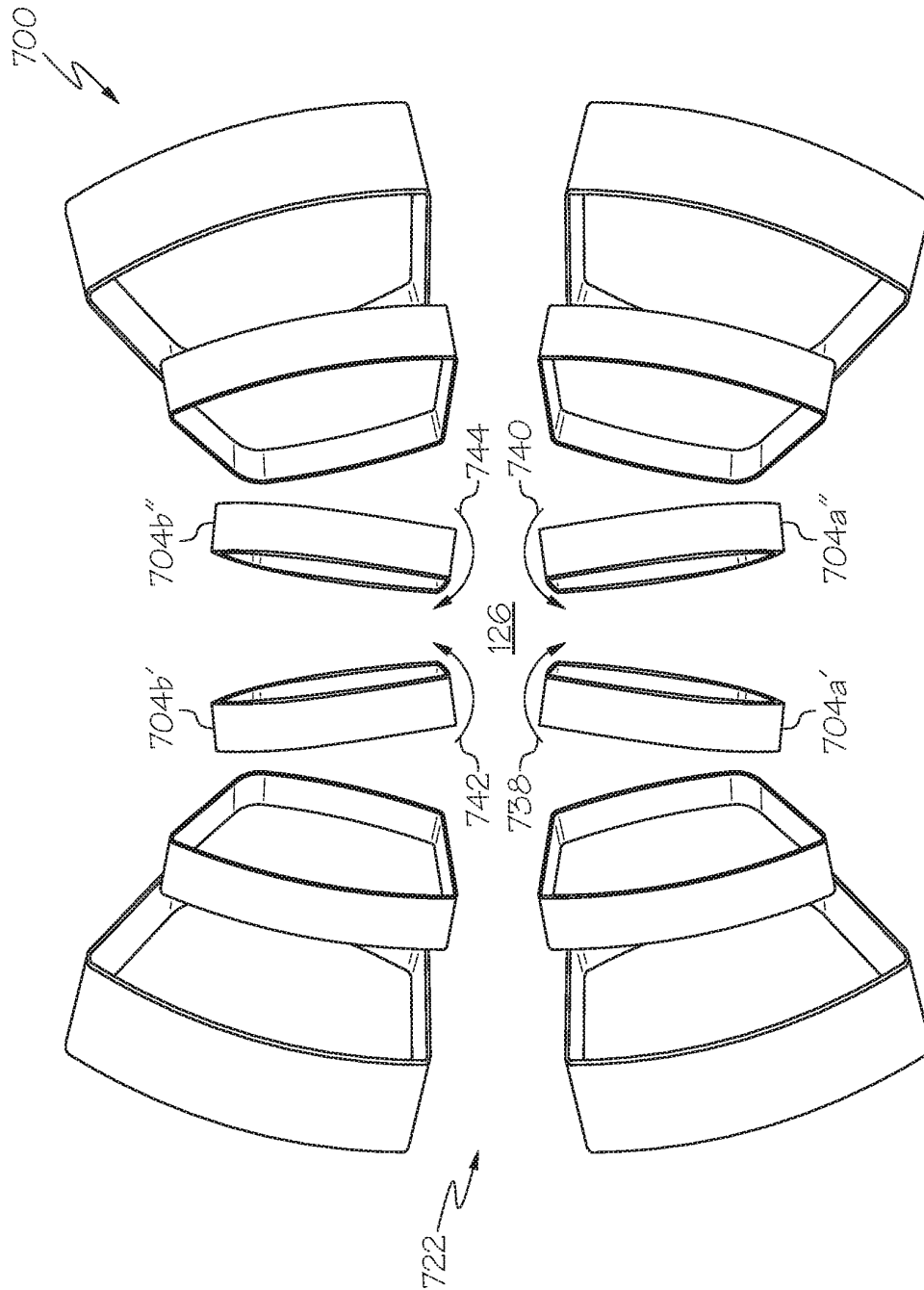


FIG. 9B

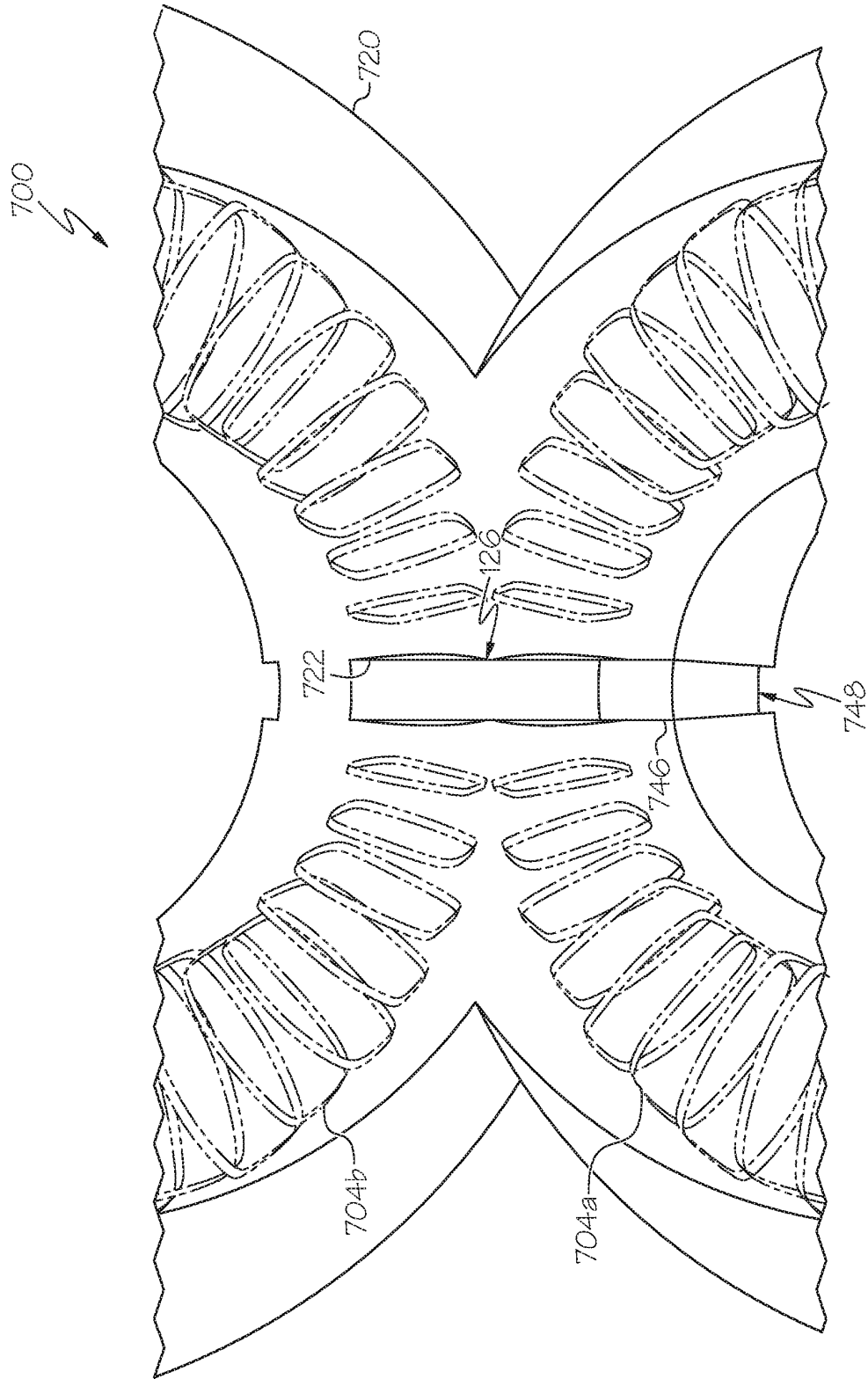


FIG. 10



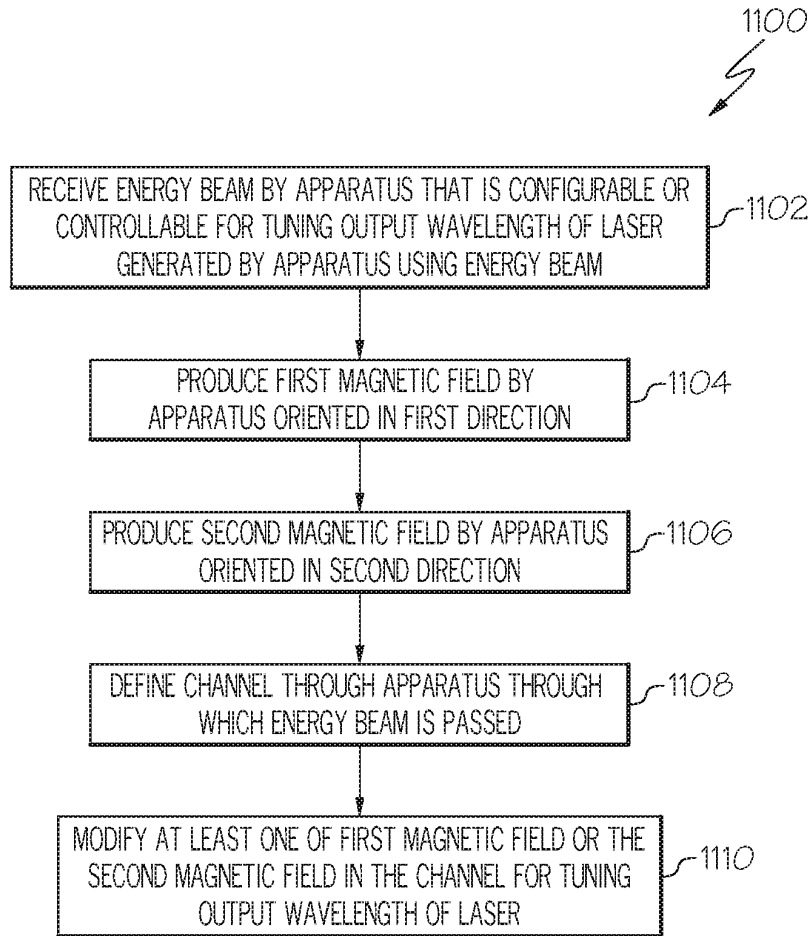


FIG. 11

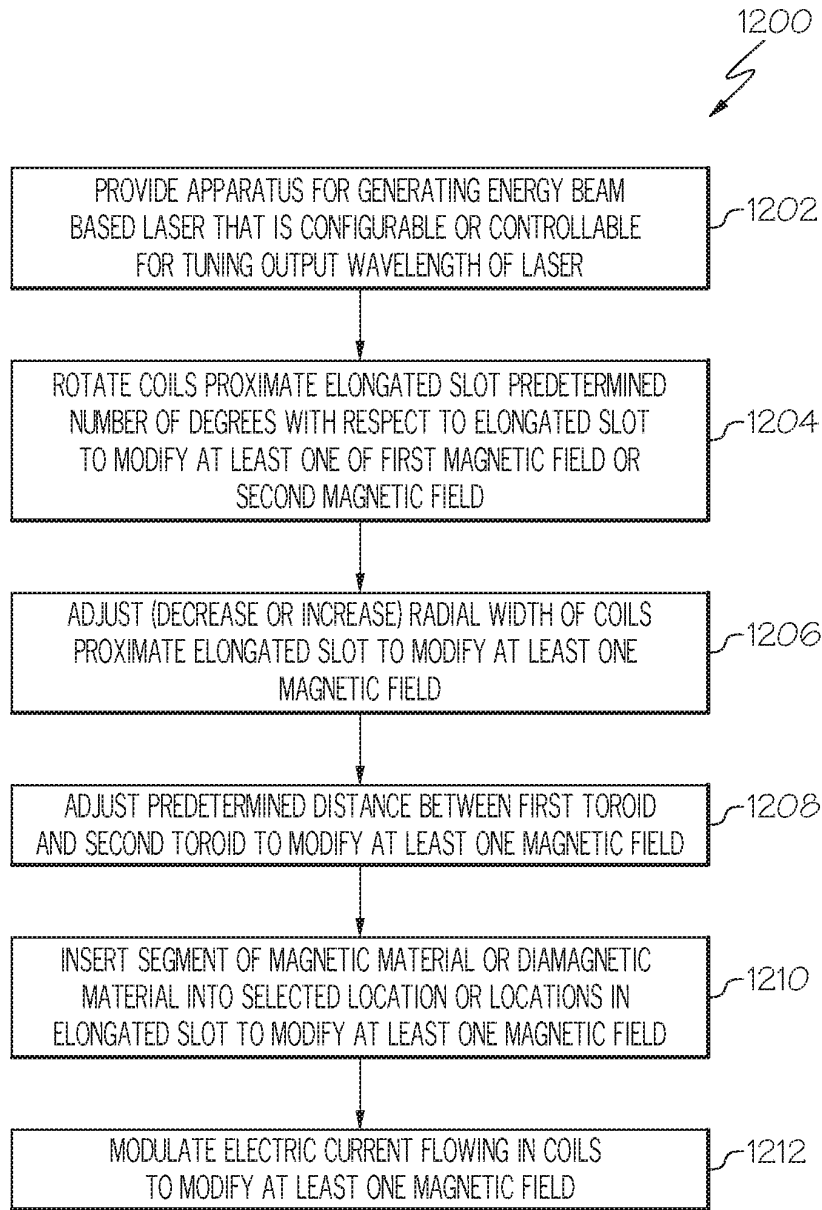


FIG. 12

1

**APPARATUS AND METHOD FOR  
GENERATING A HIGH POWER ENERGY  
BEAM BASED LASER**

CROSS REFERENCE TO RELATED  
APPLICATIONS

This application is a divisional of U.S. application Ser. No. 15/785,022, filed Oct. 16, 2017, now U.S. Pat. No. 10,680,400, issued Jun. 9, 2020, the disclosure and content of which is incorporated by reference herein in its entirety.

This application is related to U.S. application Ser. No. 15/784,831, filed Oct. 16, 2017, now U.S. Pat. No. 10,790,078, issued Sep. 29, 2020, entitled "Apparatus and Method for Magnetic Field Compression," which is assigned to the same assignee as the present application, filed on the same date as the present application, and is incorporated herein by reference.

This application is related to U.S. application Ser. No. 15/785,155, filed Oct. 16, 2017, now U.S. Pat. No. 10,726,986, issued Jul. 28, 2020, entitled "Apparatus and Method for Magnetic Field Compression Using a Toroid Coil Structure," which is assigned to the same assignee as the present application, filed on the same date as the present application, and is incorporated herein by reference.

FIELD

The present disclosure relates to devices and methods for generating a laser and more particularly to an apparatus and method for generating a high power energy beam based laser.

BACKGROUND

Free-electron lasers are a type of laser whose lasing medium consists of very high speed electrons moving freely through a magnetic structure. The magnetic structure is typically heavy and bulky and therefore presents limitations on applications of the laser or requires special accommodations that may not be practical in some environments. Additionally, such lasers have a fixed output wavelength and are not tunable in real-time. There may also be alignment sensitivities with optical elements associated with the laser and output powers are limited. Accordingly, there is a need to provide an apparatus and method for generating a high power energy beam based laser that is not subject to these disadvantages.

SUMMARY

In accordance with an embodiment, a system for generating an energy beam based laser includes an apparatus for receiving an energy beam and for generating an energy beam based laser. The apparatus is configurable or controllable for tuning an output wavelength of the laser generated by the apparatus using the energy beam. The apparatus includes a first component for producing a first magnetic field oriented in a first direction and a second component for producing a second magnetic field oriented in a second direction substantially opposite to the first direction. A channel through the apparatus is defined by the first component and the second component through which the energy beam passes to generate the laser at an output of the apparatus. The apparatus is configurable or controllable for modifying at least one of the first magnetic field and the second magnetic field for tuning the output wavelength of the laser.

2

In accordance with another embodiment, a system for generating an energy beam based laser includes an apparatus for receiving an energy beam and for generating an energy beam based laser. The apparatus is configurable or controllable for tuning an output wavelength of the laser generated by the apparatus using the energy beam. The apparatus includes a first toroid and a first plurality of separate coils wound around the first toroid. The first plurality of coils is placed about a circumference of the first toroid and each coil generates a first magnetic field in response to electric current flowing in the coil. The apparatus additionally includes a second toroid and a second plurality of separate coils wound around the second toroid. The second plurality of coils is placed about a circumference of the second toroid and each coil generates a second magnetic field in response to electric current flowing in the coil. A circular center opening of the first toroid and the second toroid are in a same plane and the second toroid is disposed adjacent the first toroid at a predetermined distance from the first toroid. The apparatus further includes a magnetic or diamagnetic material enclosing the first plurality of coils and the second plurality of coils. An elongated slot is formed in the magnetic or diamagnetic material at a location where coils of the first plurality of coils and the second plurality of coils are closest. The elongated slot extends radially between two adjacent coils of the first plurality of separate coils and two adjacent coils of the second plurality of separate coils. The elongated slot defines a channel through which the energy beam passes to generate the laser at an output of the apparatus. The apparatus is configurable or controllable for modifying at least one of the first magnetic field and the second magnetic field for tuning the output wavelength of the laser.

In accordance with another embodiment, a method for generating an energy beam based laser includes receiving an energy beam by an apparatus that is configurable or controllable for tuning an output wavelength of a laser generated by the apparatus using the energy beam. The method also includes producing a first magnetic field oriented in a first direction and producing a second magnetic field oriented in a second direction substantially opposite to the first direction. The method additionally includes defining a channel through the apparatus through which the energy beam passes. The method further includes modifying at least one of the first magnetic field and the second magnetic field in the channel for tuning the output wavelength of the laser.

In accordance with another embodiment or any of the previous embodiments, the first component includes a first set of elongated magnets. Each magnet of the first set of elongated magnets includes a narrow side extending a length of the channel on one side of the channel. The second component includes a second set of elongated magnets. Each magnet of the second set of magnets includes a narrow side extending a length of the channel on another side of the channel from the first set of magnets. A north or south pole at the narrow side of each magnet of the first set of magnets is paired with an opposite pole at the narrow side of an associated magnet of the second set of magnets on the other side of the channel.

In accordance with another embodiment or any of the previous embodiments, a magnetic field tuning magnet or shim is disposed adjacent one or more magnets of the first set of elongated magnets and/or the second set of elongated magnets to modify at least one of the first magnetic field and the second magnetic field for tuning the output wavelength of the laser.

In accordance with another embodiment or any of the previous embodiments, wherein the first component and the

second component each include a plurality of tubes of different dimensions. Each smaller tube extends within a larger tube and each tube includes an electrically conductive material for generating one of the first magnetic field and the second magnetic field in response to electric current flowing in the conductive material. The first component and the second component also each include an elongated slot formed in each tube. The elongated slot in each tube is aligned to form a first aperture in the first component and a second aperture in the second component. The first aperture is aligned with the second aperture to form the channel through the apparatus in which the first magnetic field and the second magnetic field are both compressed in response to the electric current flowing in the conductive material of each tube.

In accordance with another embodiment or any of the previous embodiments, wherein each of the plurality of tubes include a substrate including an inner surface and an outer surface. An inside layer of electrically conductive material or semiconductor material is disposed on the inner surface of each substrate of those tubes that enclose another tube of the plurality of tubes. An outside layer of electrically conductive material or semiconductor material is disposed on the outer surface of each substrate of those tubes that are enclosed by another tube of the plurality of tubes.

In accordance with another embodiment or any of the previous embodiments, the substrate includes one of an electrical insulator material, an electrical semiconductor material or an electrical conductive material and wherein the inside layer and the outside layer of electrically conductive material or semiconductor material comprise a superconducting material.

In accordance with another embodiment or any of the previous embodiments, an electric current supply is electrically connected to each inside layer of electrically conductive material and each outside layer of electrically conductive material for generating an electric current flow in each layer of electrically conductive material and a compressed first magnetic field and second magnetic field in the channel.

In accordance with another embodiment or any of the previous embodiments, each electric current supply is adjustable for adjusting a balance of currents among the plurality of tubes and modifying at least one of the first magnetic field and the second magnetic field across the channel for tuning the output wavelength of the laser. The electric currents include one of continuous electric currents, alternating electric currents or pulsed electric currents.

In accordance with another embodiment or any of the previous embodiments, at least one of the inside layer of electrically conductive material or the outside layer of electrically conductive material includes a plurality of ridges for modulating the electric current flowing in the layer of electrically conductive material for modifying at least one of the first magnetic field and the second magnetic field across the channel for tuning the output wavelength of the laser.

In accordance with another embodiment or any of the previous embodiments, the first component includes a first toroid and a first plurality of separate coils wound around the first toroid. The first plurality of coils is placed about a circumference of the first toroid and each coil generates a first magnetic field in response to electric current flowing in the coil. The second component includes a second toroid and a second plurality of separate coils wound around the second toroid. The second plurality of coils is placed about a circumference of the second toroid and each coil generates a second magnetic field in response to electric current flowing in the coil. A circular center opening of the first

toroid and the second toroid are in a same plane and the second toroid is disposed adjacent the first toroid at a predetermined distance from the first toroid. The apparatus further includes a magnetic or diamagnetic material enclosing the first plurality of coils and the second plurality of coils. An elongated slot is formed in the magnetic or diamagnetic material at a location where coils of the first plurality of coils and the second plurality of coils are closest. The elongated slot extends radially between two adjacent coils of the first plurality of separate coils and two adjacent coils of the second plurality of separate coils. The elongated slot defines the channel through which the energy beam passes to generate the laser.

In accordance with another embodiment or any of the previous embodiments, the first toroid, the first plurality of coils around the first toroid, the second toroid and the second plurality of coils around the second toroid include opposite rounded ends connected by elongated sides.

In accordance with another embodiment or any of the previous embodiments, each of the coils includes a uniform radial width.

In accordance with another embodiment or any of the previous embodiments, a first group of the coils of the first plurality of coils and a second group of coils of the second plurality of coils each include a size that respectively gradually decrease over about half or less than about a circumference of each of the first toroid and the second toroid from respective pairs of points on each toroid that are spaced about half or less than about the circumference apart on each toroid to modify the first magnetic field and the second magnetic field in the elongated slot for tuning the output wavelength of the laser.

In accordance with another embodiment or any of the previous embodiments, the two adjacent coils of the first plurality of separate coils and the two adjacent coils of the second plurality of separate coils that are proximate the elongated slot are rotated a predetermined number of degrees with respect to the elongated slot to modify at least one of the first magnetic field and the second magnetic field in the elongated slot for tuning the output wavelength of the laser.

In accordance with another embodiment or any of the previous embodiments, the predetermined distance between the first toroid and the second toroid is changed to modify the first magnetic field and the second magnetic field in the elongated slot for tuning the output wavelength of the laser.

In accordance with another embodiment or any of the previous embodiments, a segment of magnetic or diamagnetic material is inserted into a selected location in the elongated slot to modify at least one of the first magnetic field and the second magnetic field in the elongated slot for tuning the output wavelength of the laser.

In accordance with another embodiment or any of the previous embodiments, a variable electric current supply is electrically connected to at least coils proximate the elongated slot, wherein the electric current flowing in the coils is modulated to modify at least one of the first magnetic field and the second magnetic field in the elongated slot for tuning the output wavelength of the laser.

In accordance with another embodiment or any of the previous embodiments, the apparatus is configurable or controllable for tuning the output wavelength of the laser by at least one of: rotating coils proximate the elongated slot a predetermined number of degrees with respect to the elongated slot to modify at least one of the first magnetic field and the second magnetic field in the elongated slot for tuning the output wavelength of the laser; decreasing a radial width

of coils proximate the slot to modify at least one of the first magnetic field and the second magnetic field in the elongated slot for tuning the output wavelength of the laser; adjusting the predetermined distance between the first toroid and the second toroid to modify at least one of the first magnetic field and the second magnetic field in the elongated slot for tuning the output wavelength of the laser; inserting a segment of magnetic or diamagnetic material into a selected location in the elongated slot to modify at least one of the first magnetic field and the second magnetic field in the elongated slot for tuning the output wavelength of the laser; and modulating the electric current flowing in the coils to modify at least one of the first magnetic field and the second magnetic field in the elongated slot for tuning the output wavelength of the laser.

The features, functions, and advantages that have been discussed can be achieved independently in various embodiments or may be combined in yet other embodiments further details of which can be seen with reference to the following description and drawings.

#### BRIEF DESCRIPTION OF THE DRAWINGS

FIG. 1 is a block schematic diagram of an example of a system for generating a high power energy beam based laser in accordance with an embodiment of the present disclosure.

FIG. 2A is a perspective view of an example of an apparatus for use as a quantum well in a system for generating a high power energy beam based laser in accordance with an embodiment of the present disclosure.

FIG. 2B is an end view of the exemplary apparatus in FIG. 1A.

FIG. 3A is a perspective view of an example of another apparatus for use as a quantum well in a system for generating a high power energy beam based laser in accordance with another embodiment of the present disclosure.

FIG. 3B is an end view of the exemplary apparatus in FIG. 3A.

FIG. 3C is a detailed end view of one components of the exemplary apparatus in FIGS. 3A and 3B illustrating electrical connection to the tubes of the apparatus in accordance with an embodiment of the present disclosure.

FIG. 4 is a detailed cross-sectional view of an example of a substantially cylindrically shaped tube for use in the apparatus of FIGS. 3A-3C in accordance with an embodiment of the present disclosure.

FIG. 5 is a detailed cross-sectional view of an example of a tube for use in the exemplary apparatus in FIGS. 3A-3C in accordance with another embodiment of the present disclosure.

FIG. 6 is a perspective view of an example of nonconcentric tubes for use in the exemplary apparatus in FIGS. 3A-3C in accordance with a further embodiment of the present disclosure.

FIGS. 7A and 7B are each a perspective view of an example of an apparatus for use as a quantum well in a system for generating a high power energy beam based laser in accordance with a further embodiment of the present disclosure.

FIG. 7C is a detailed cross-sectional view of the apparatus in FIGS. 7A-7B taken along lines 7C-7C in FIG. 7B.

FIG. 8 is a graph illustrating the magnetic field measured across an elongated slot in a direction perpendicular to a longest dimension of the elongated slot in the magnetic or diamagnetic material in FIG. 7B.

FIGS. 9A and 9B are each a view of a portion of the apparatus in FIGS. 7A and 7B illustrating an example of the

coils being rotated in the elongated slot or channel of the apparatus to modify the magnetic fields in the elongated slot in accordance with an embodiment of the present disclosure.

FIG. 10 is a view of a portion of the apparatus in FIGS. 7A and 7B illustrating an example of a segment of magnetic or diamagnetic material being inserted into one or more selected locations in the elongated slot to modify the magnetic field in the elongated slot in accordance with another embodiment of the present disclosure.

FIG. 11 is a flow chart of an example of a method for generating a high power energy beam based laser in accordance with an embodiment of the present disclosure.

FIG. 12 is a flow chart of an example of a method for tuning an output of an energy beam based laser in accordance with an embodiment of the present disclosure.

#### DETAILED DESCRIPTION

The following detailed description of embodiments refers to the accompanying drawings, which illustrate specific embodiments of the disclosure. Other embodiments having different structures and operations do not depart from the scope of the present disclosure. Like reference numerals may refer to the same element or component in the different drawings.

FIG. 1 is a block schematic diagram of an example of a system **100** for generating a high power energy beam based laser **102** in accordance with an embodiment of the present disclosure. An example of the high power energy beam based laser **102** is between about one (1) kilowatt and hundreds of megawatts of continuous or pulsed laser power. The system **100** includes an energy source **104** for generating an energy beam **106**. In accordance with an embodiment, the energy source **104** is an energy source that generates one of an electron beam, an ion beam or other type energy beam or charged particle beam. Accordingly, the energy beam **106** is one of an electron beam, an ion beam or other type energy beam or charge particle beam. The system **100** also includes an apparatus **108** for receiving the energy beam **106**, for generating the high power energy beam based laser **102** using the input energy beam **106**, and for real-time variable wavelength operation. In accordance with an embodiment, the apparatus **108** is a quantum well structure that is configured specifically to an energy structure best suited for the energy beam based laser **102**. The apparatus **108** is configurable or controllable for tuning in real-time an output wavelength ( $\lambda$ ) **110** of the laser **102** generated by the apparatus **108** using the input energy beam **106** as described herein in more detail with respect to the different embodiments of the apparatus **108**. In accordance with an embodiment, the laser **102** is directed on an object **112** to perform an operation on the object **112**. Examples of the operations performed on the object **112** include but are not limited to manufacturing operations, cutting operations, welding operations, surgical operations, or other operations where a free-electron laser is applicable.

The apparatus **108** includes a first component **114** for producing a first magnetic field **116** oriented in a first direction **118**. The apparatus **108** also includes a second component **120** for producing a second magnetic field **122** oriented in a second direction **124** substantially opposite to the first direction **118**. The second direction **124** may be substantially opposite the first direction **118** in that the second direction **124** may not be exactly opposite the first direction **118**, or in another embodiment, the second magnetic field **122** may be in a direction intentionally offset from being in a direction exactly opposite the first magnetic field

**116** for tuning the output wavelength **110** of the laser **102** similar to that described herein.

A channel **126** through the apparatus **108** is defined by the first component **114** and the second component **120** through which the energy beam **106** passes to generate the laser **102** at an output **128** of the apparatus **108**. The apparatus **108** is configurable or controllable for modifying at least one of the first magnetic field **116** or the second magnetic field **122** for tuning the output wavelength **110** of the laser **102**. Examples of different embodiments of the apparatus **108** will be described with reference to FIGS. 2A-2B, FIGS. 3A-3C, FIG. 6, FIGS. 7A-7C, FIGS. 9A-9B and FIG. 10.

In accordance with an embodiment, a seed coherent source of radiation **130**, such as a laser or microwave source that has a lower power than the high power energy beam laser **102** directs a coherent electromagnetic beam **132** of some type into the channel **126** or lasing medium created in the channel **126** by the energy beam **106** or particle beam. Examples of types the coherent electromagnetic beams **132** include infrared, light, x-ray, etc. The high power energy beam **102** is generated from the coherent electromagnetic energy beam **132**.

In accordance with another embodiment, a fully reflective mirror **134** is positioned proximate a front end of the channel **126** and a semi-reflective mirror **136** or half-reflective mirror is positioned proximate an opposite end of the channel **126** or output **128** of the apparatus **108**. In this embodiment, the high power energy beam based laser **102** is generated by self-amplification by the energy beam **106** or light beam being reflected back and forth between the mirrors **134** and **136** within the channel **126** or lasing medium in the channel **126**.

FIG. 2A is a perspective view of an example of an apparatus **200** for use as a quantum well in a system for generating a high power energy beam based laser in accordance with an embodiment of the present disclosure. FIG. 2B is an end view of the exemplary apparatus **200** in FIG. 1A. In accordance with an embodiment, the apparatus **200** is used for the apparatus **108** in the system **100** in FIG. 1. The apparatus **200** includes a first set of elongated magnets **202a-202d** and a second set of elongated magnets **204a-204d**. The first set of elongated magnets **202a-202d** correspond to the first component **114** of apparatus **108** in FIG. 1. The second set of magnets **204a-204d** correspond to the second component **120** in FIG. 1. Each magnet **202** of the first set of magnets **202a-202d** includes a narrow side **206** that extends a longitudinal length “L” of the channel **126** on one side **208** (FIG. 2B) of the channel **126**. Each magnet **204** of the second set of magnets **204a-204d** includes a narrow side **210** extending the longitudinal length “L” of the channel **126** on another side **212** of the channel **126** from the first set of magnets **202a-202d**. A north or south pole **214** at the narrow side **206** of each magnet **202** of the first set of magnets **202a-202d** is paired with an opposite pole **216** at the narrow side **210** of an associated magnet **204** of the second set of magnets **204a-204d** on the other side **212** of the channel **126**.

In accordance with an embodiment, the first set of elongated magnets **202a-202d** and the second set of elongated magnets **204a-204d** are permanent magnets. In other embodiments, the first set of elongated magnets **202a-202d** and the second set of elongated magnets **204a-204d** are electromagnets or other types of magnets. While the first set of elongated magnets **202a-202d** and the second set of magnets **204a-204d** are shown as each including four magnets, each set of magnets may include any number of

elongated magnets and the magnets may be any size depending upon the size and application of the apparatus **200**.

The apparatus **200** further includes a magnetic field tuning magnet **218** or shim disposed adjacent one or more magnets **202** or **204**, or between one or more adjacent magnets **202** or **204** of the first set of elongated magnets **202a-202d** and/or the second set of elongated magnets **204a-204d** to modify at least one of the first magnetic field **116** (FIG. 1) and the second magnetic field **122** (FIG. 1) for tuning the output wavelength **110** of the laser **102**.

FIG. 3A is a perspective view of an example of another apparatus **300** for use as a quantum well in a system for generating a high power energy beam based laser in accordance with another embodiment of the present disclosure. FIG. 3B is an end view of the exemplary apparatus **300** in FIG. 3A. In accordance with an embodiment, the apparatus **300** is used for the apparatus **108** in the system **100** in FIG. 1. The apparatus **300** is similar to the apparatus **600** described in U.S. application Ser. No. 15/784,831, filed Oct. 16, 2017, now U.S. Patent 10,790,078, issued Sep. 29, 2020, entitled “Apparatus and Method for Magnetic Field Compression,” which is assigned to the same assignee as the present application and is incorporated herein by reference. The apparatus **300** includes a first component **302a** and a second component **302b**. Each of the components **302a** and **302b** is similar to the apparatus **100** in FIGS. 1A-1B in U.S. Pat. No. 10,790,078. The first component **302a** is substantially identical to the second component **302b**. The first component **302a** and the second component **302d** each include a plurality of tubes **304a-304d** of different dimensions or diameters. In the exemplary embodiment in FIGS. 3A, 3B and 3C, the tubes **304a-304d** are nonconcentric and cylindrically shaped and each tube **304a-304d** includes a different diameter. In other embodiments, the tubes **304a-304d** are non-cylindrically shaped. For example, each tube **304a-304d** is substantially rectangular shaped similar to that illustrated in the exemplary embodiment illustrated in FIG. 5. Other embodiments include tubes **304a-304d** having other types of non-cylindrical shapes depending upon the design of the apparatus **300** or **108** in FIG. 1 or particular application or use of the apparatus **300** or **108** or the system **100**. In accordance with other embodiments, the apparatus **300** includes two tubes **304a** and **304b** or any number of tubes **304a-304n** depending upon the design and application of the apparatus **300** or system **100** in FIG. 1. The dimension or diameter of the tubes **304a-304d** is also based on the design and application of the apparatus **300**. In accordance with the embodiment illustrated in FIGS. 3A, 3B and 3C, the tubes **304a-304d** are nonconcentric in that a center or longitudinal axis of each tube **304a-304d** is offset or spaced a predetermined distance from a center or longitudinal axis of a subsequent or adjacent outer tube. In other embodiments, the tubes **304a-304d** are concentric or have some other configuration.

Each smaller tube **304** is disposed within a larger tube **304** of the plurality of tubes **304a-304b** and extends within the larger tube **304** and parallel with the larger tube **304**. Each tube **304a-304d** includes an electrically conductive material **306** or semiconductor material for generating a magnetic field, illustrated by arrows **308a** and **308b**, in response to electric current **310a** and **310b** respectively flowing in the conductive material **306** of the tubes **304a-304d** of the first component **302a** and the second component **302b**. As described in more detail with reference to FIGS. 3C and 4, the conductive material **306** is on an outer surface of some tubes **304a-304d**, an inner surface of some tubes **304a-304d**, or on both an outer surface and inner surface depending

upon whether the tube **304** is enclosed by another larger tube or the tube encloses another smaller tube and a magnetic field is to be generated in a gap between adjacent tubes **304a-304d** by current flowing in opposite directions in the conductive material **306** in the adjacent tubes **304a-304d**. Generally, the conductive material **306** is placed on the facing or opposing surfaces of adjacent tubes **304a-304d** to generate a magnetic field **308** in the gap between the adjacent tubes **304a-304d** in response to electric current **310** flowing in opposite directions in the conductive material **306** of the adjacent tubes **304a-304d**. Examples of the electrically conductive material **306** will be described in more detail with reference to FIG. 4. In accordance with an embodiment, an electric current supply **316** is electrically connected across the electrically conductive material **306** of each tube **304a-304d** of each component **302a** and **302b** to cause electric current **310** to flow in the electrically conductive material **306** of the tubes **304a-304d**.

An elongated slot **312**, as best shown in FIG. 3B, is formed in each tube **304a-304d**. The elongated slot **312** in each tube **304a-304d** is aligned to form a first aperture **314a** in the first component **302a** and a second aperture **314b** in the second component **302b**. The first aperture **314a** is aligned with the second aperture **314b** to form the channel **126** (FIG. 1) through the apparatus **300** through which the energy beam **106** passes to generate the laser **102** at an output **128** of the apparatus **300**. The first magnetic field **308a** and the second magnetic field **308b** are both compressed in the channel **126** as described in more detail with reference to FIG. 3C in response to the electric current **310a** and **310b** flowing in the conductive material **306** of each tube **304a-304d** to generate the laser **102** or laser beam. As described in more detail herein, the electric current supply **316** or supplies are adjustable current supplies for adjusting or modulating at least one of the electric currents **310a** and **310b** flowing in the conductive material **306** for modifying at least one of the first magnetic field **308a** or the second magnetic field **308b** across the channel **126** for tuning the output wavelength ( $\lambda$ ) **110** of the energy beam based laser **102**.

FIG. 3C is a detailed end view of one of the components **302a** or **302b** of the exemplary apparatus **300** in FIGS. 3A and 3B illustrating electrical connection to the nonconcentric tubes **304a-304d** of the apparatus in accordance with an embodiment of the present disclosure. As previously described the first component **302a** and the second component **302b** are substantially identical. The tubes **304a-304d** are held in position relative to one another by a suitable support structure **318**. For example, the support structure **318** includes one or more support members **320** extending between adjacent tubes **304a-304d**. In accordance with an embodiment, the support members **320** are positioned at opposite ends **322** (FIG. 3A) of the tubes **304a-304d** and/or at intermediate locations within the tubes **304a-304d**. The support members **320** are made from a material and are attached to the tubes **304a-304d** by a suitable fastening arrangement that substantially minimizes or prevents any interference with the electric current flow **310a/310b** or magnetic field **308a/308b** or fields generated in the apparatus **300**.

Referring also to FIG. 4, FIG. 4 is a detailed cross-sectional view of an example of a substantially cylindrically shaped tube **400** for an apparatus for generating a high power energy beam based laser in accordance with an embodiment of the present disclosure. In accordance with an example, the substantially cylindrically shaped tube **400** is used for the tubes **304a-304d** for the components **302a** and

**302b** of the exemplary apparatus **300** in FIGS. 3A-3C. The tube **400** or tubes **304a-304d** are substantially cylindrically shaped in that the tubes may not be exactly cylindrically shaped and as described herein include an elongated slot **312** formed in each tube **400** and **304a-304d**. In accordance with an embodiment, each of the plurality of tubes **304a-304d** include a substrate **402**. The substrate **402** includes an inner surface **404** and an outer surface **406**. An inside layer **408** of electrically conductive material **306** or semiconductor material is disposed on the inner surface **404** of at least each substrate **402** of those tubes **304** that enclose another tube **304** of the plurality of tubes **304a-304d**. An outside layer **410** of electrically conductive material **306** or semiconductor material is disposed on the outer surface **406** of each substrate **402** of at least those tubes **304** that are enclosed by another tube **304** of the plurality of tubes **304a-304d** of each component **302a** and **302b** of the apparatus **300**.

Also referring back to FIG. 3C, an inner most tube **304a** includes an outside layer **410ao** of electrically conductive material **306**. An electric current supply **316ao** is electrically connected to the outside layer **410ao** of electrically conductive material **306** for generating current flow in the outside layer **410ao** of electrically conductive material **306**. A second inner most tube **304b** includes an inside layer **408bi** of electrically conductive material **306**. An electric current supply **316bi** is electrically connected to the inside layer **408bi** of electrically conductive material **306** for generating current flow in the inside layer **408bi** of electrically conductive material **306**. The electric current supply **316ao** and **316bi** are configured to cause current to flow in opposite directions in outside layer **410ao** and inside layer **408bi** to generate a magnetic field **308ab** in a gap **324ab** between the tubes **304a** and **304b** that is compressed into the aperture **314** to a very high strength or high magnetic flux for generating the high power energy beam based laser **102**. In accordance with some embodiments, the magnetic field **308ab** is compressed to a very high strength or high magnetic flux density of up to about ten Tesla (10 T) or higher by the opposite layers **408** and **410** of electrically conductive material **306** being a superconducting material as described in more detail herein.

Similarly, the second inner most tube **304b** includes an outside layer **410bo** of electrically conductive material **306** and a third tube **304c** includes an inside layer **408ci** of electrically conductive material **306**. An electric current supply **316bo** is electrically connected across the outside layer **410bo** of the second inner most tube **304b** and another electric current supply **316ci** is electrically connected across the inside layer **408ci** of the third tube **304c**. Similar to that previously described, the current supplies **316bo** and **316ci** are configured to cause current to flow in opposite directions in the outside layer **410bo** of tube **304b** and opposing or facing inside layer **408ci** of third tube **304c** to generate a second magnetic field **308bc** in a gap **324bc** between second tube **304b** and third tube **304c**.

The third tube **304c** also includes an outside layer **410co** of electrically conductive material **306** and a fourth tube **304d** includes an inside layer **408di** of electrically conductive material **306**. An electric current supply **316co** is electrically connected across the outside layer **410co** of the third tube **304c** and another electric current supply **316di** is electrically connected across the inside layer **408di** of the fourth tube **304d**. Similar to that previously described, the current supplies **316co** and **316di** are configured to cause current to flow in one direction in the outside layer **410co** of tube **304c** and in an opposite direction in the facing inside layer **408di** of fourth tube **304d** to generate a third magnetic

field **308cd** in a gap **324cd** between third tube **304c** and fourth tube **304d**. The magnetic fields **308** generated in the gaps **324** are compressed into the aperture **314** to a very high strength or high magnetic flux. In accordance with some embodiments, the magnetic fields **308** are compressed to a very high strength or high magnetic flux density of up to about 10 T or higher by the adjacent inside layers **408** and outside layers **410** of electrically conductive material **306** being superconducting material as described in more detail herein. Graphs illustrating compression of the magnetic fields in the aperture **314** or channel **126** for an apparatus similar to apparatus **300** are shown in U.S. Pat. No. 10,790,078, entitled "Apparatus and Method for Magnetic Field Compression." In accordance with another embodiment, the electric current supplies **316** are replaced by a single current supply and the electric current is distributed to the layers **408** and **410** of conductive material **306** by dividing the current from the single current supply. The energy beam **106** is directed through the channel **126** formed by the aligned apertures **314** of both the first component **302a** and the second component **302b** for generating the high power energy beam based laser **102** in FIG. 1.

In another embodiment the current supplies **316** or single current supply are adjustable for adjusting a balance of currents among the plurality of tubes **304a-304d** and modifying the magnetic fields **308** across the apertures **314** and within the channel **126** for real-time tuning the output wavelength **110** of the laser **102**. The electric current supply or supplies **316** are configured to supply one of continuous electric currents, alternating electric currents or pulsed electric currents.

Referring again to FIG. 4, in accordance with an embodiment, the substrate **402** of the exemplary tube **400** useable for the tubes **304a-304d** includes one of an electrical insulator material, a semiconductor material, or an electrically conductive material. Examples of the substrate material include but are not necessarily limited to magnesium oxide on metal, aluminum oxide on metal, yttrium oxide on metal, glass, sapphire covered tempered glass, carbon fiber composite, aluminate on metal, or aluminate on carbon fiber composite.

In accordance with an embodiment, the inside layer **408**, if present in a particular tube **304a-304d**, and the outside layer **410**, if present in a particular tube **304a-304d**, includes a superconducting material **412**. Examples of the superconducting material **412** include but are not necessarily limited to a superconducting crystalline material grown on the surfaces **404** and **406** of the substrate **402**. The substrate **402** includes any suitable material for growing the superconducting crystalline material. Examples of forming the inside layer **408** and the outside layer **410** of superconducting material **412** include a superconducting metal alloy that is plated on the substrate **402**, plasma sprayed on the substrate **402**, or thermal-sprayed on the substrate **402**. The substrate **402** includes any suitable mechanical frame for the superconducting metal alloy. For example, the substrate **402** includes one of steel, a nickel alloy, carbon fiber composite or other suitable frame material for the superconducting material **412**. In accordance with other examples, the superconductors are formed by metalorganic chemical vapor deposition (MOCVD), ion beam assisted deposition (IBAD) or other superconductor fabrication techniques.

In accordance with an embodiment, the apparatus **300** includes a device **326** (FIG. 3A) for circulating a coolant **328** between the tubes **304a-304d**. Examples of the coolant **328** include liquid nitrogen or other coolant for use in cooling superconducting material.

FIG. 5 is a detailed cross-sectional view of an example of a tube **500** for the exemplary apparatus **300** in FIGS. 3A-3C in accordance with another embodiment of the present disclosure. The exemplary tube **500** is similar to the tube **400** in FIG. 4 except the tube **500** includes a non-cylindrical shape. The exemplary tube **500** illustrated in FIG. 5 is substantially rectangular shaped with rounded corners and an elongated slot **512**. The exemplary tube **500** could also have square corners and could be square shaped in other examples. In accordance with other embodiments, the tube **500** is used for the tubes **304a-304d** in FIGS. 3A-3C. The tube **500** includes a substrate **502** with an inner surface **504** and an outer surface **506**. An inside layer **508** of electrically conductive material **306** or semiconductor material is disposed on the inner surface **504** of each substrate **502** of at least those tubes **500** or **304a-304d** that enclose another smaller tube of the plurality of tubes **304a-304d**. An outside layer **510** of electrically conductive material **306** or semiconductor material is disposed on the outer surface **506** of each substrate **502** of at least those tubes **500** or **304a-304d** that are enclosed by another larger tube of the plurality of tubes **304a-304d**. In accordance with another embodiment, the electrically conductive material **306** is a superconducting material similar to that previously described.

FIG. 6 is a perspective view of an example of nonconcentric tubes **600a-600b** for use in the exemplary apparatus **300** in FIGS. 3A-3C in accordance with a further embodiment of the present disclosure. Only two concentric tubes **600a** and **600b** are shown in FIG. 6 for purposes of explaining the embodiment although any number of concentric tubes may be used as described with reference to FIGS. 3A-3C. In the embodiment illustrated in FIG. 6, an outside layer **410** of electrically conductive material **306** on an inner tube **600b** includes a plurality of ridges **602** for modulating the electric current **310** flowing in the outside layer **410** of electrically conductive material **306** for modifying at least one of a first magnetic field **308a** or a second magnetic field **308b** across the channel **126** for tuning the output wavelength **110** of the laser **102** (FIG. 1). However, in other embodiments, the inside layer **408** of electrically conductive material **306** or the outside layer **410** of electrically conductive material **306** or both include the plurality of ridges **602** for modulating the electric current **310** flowing in the electrically conductive material **306** for modifying at least one of the first magnetic field **308a** or the second magnetic field **308b** across the channel **126** for tuning the output wavelength **110** of the laser **102** (FIG. 1).

FIGS. 7A and 7B are each a perspective view of an example of an apparatus **700** for use as a quantum well in a system for generating a high power energy beam based laser in accordance with a further embodiment of the present disclosure. FIG. 7B shows a magnetic or magnetic or diamagnetic material **720** enclosing a first plurality of coils **704a** and a second plurality of coils **704b** respectively wound around a first toroid **702a** and a second toroid **702b** in FIG. 1A. FIG. 7C is a detailed cross-sectional view of the apparatus in FIGS. 7A-7B taken along lines 7C-7C in FIG. 7B. In accordance with an embodiment, the apparatus **700** is used for the apparatus **108** in the system **100** in FIG. 1. The apparatus **700** includes a first toroid **702a** and a second toroid **702b**. The first toroid **702a** and the second toroid **702b** include or are formed from an electrical insulator material. An example of the electrical insulator material includes but is not necessarily limited to a G10 material or other composite material suitable for cryogenic applications. The first toroid **702a** corresponds to the first component **114** of the apparatus **108** in FIG. 1 and the second toroid **702b** corre-



sponds to the second component **120**. In accordance with other embodiments, the first toroid **702a** and the second toroid **702b** each include a geometric shape other than a circular shape or doughnut shape in a plan view of the first toroid **702a** and the second toroid **702b**. In accordance with an example, the first toroid **702a** and the second toroid **702b** each include an elliptical shape, ellipsoid shape or are oblong in one direction. Other geometric shapes are applicable depending upon the application and/or desired distribution of the magnetic field or fields associated with the first toroid **702a** and the second toroid **702b**.

A first plurality of separate coils **704a** are wound around the first toroid **702a**. The first plurality of coils **704a** are placed about a circumference of the first toroid **702a** and each coil **704a** generates a first magnetic field **706a** in response to electric current **708** (FIG. 7C) flowing in the coil **704a**. The first magnetic field **706a** corresponds to the first magnetic field **116** in FIG. 1. A second plurality of separate coils **704b** are wound around the second toroid **702b**. The second plurality of coils **704b** are placed about a circumference of the second toroid **702b** and each coil **704b** generates a second magnetic field **706b** in response to electric current **708** flowing in the coil **704b**. A circular center opening **710a** of the first toroid **702a** and a circular center opening **710b** of the second toroid **702b** are in a same plane and the second toroid **702b** is disposed adjacent the first toroid **702a** at a predetermined distance ("D") from the first toroid **702a** as best shown in FIG. 9A.

In accordance with the embodiment illustrated in FIG. 7A, the first plurality of coils **704a** are uniformly spaced about the circumference of the first toroid **702a** and the second plurality of coils **704b** are uniformly spaced about the circumference of the second toroid **702b**. In another embodiment, the first plurality of coils **704a** and/or the second plurality of coils **704b** are non-uniformly spaced or are spaced according to a preset pattern to provide a particular magnetic field distribution within the first toroid **702a** and/or the second toroid **702b**.

Referring also to FIG. 7C, the toroid **702** in FIG. 7C corresponds to either the first toroid **702a** or the second toroid **702b** and the coil **704** corresponds to either one of the first plurality of coils **704a** or one of the second plurality of coils **704b**. Each coil **704** includes electrically conductive material or semiconductor material. In accordance with an embodiment, the coils **704** are formed from or include a superconducting material **412** similar to that previously described with respect to tubes **304a-304d** and **400** in FIGS. 3A-3C and 4. Each coil **704** generates a magnetic field **706** in response to electric current **708** flowing in the coil **704**. In accordance with an embodiment, a separate electric current supply **712** is electrically connected to each coil **704**. In another embodiment, one electric current supply is configured to individually feed each coil **704a** associated with the first toroid **702a** and another electric current supply is configured to individually feed each coil **704b** associated with the second toroid **702b**. In a further embodiment, a single electric current supply is configured to individually feed each coil **704a** and **704b** in both the first toroid **702a** and the second toroid **702b**. The electric current supply **712** or supplies are configured to supply one of continuous electric currents, alternating electric currents or pulsed electric currents. The magnetic field **706** is compressed or has a highest magnetic flux density proximate a center or central region **714** of the coils **704** around a circumference of each toroid **702**. In accordance with an embodiment, the magnetic or diamagnetic material **720** includes a differential magnetic permeability close to about zero (0) Henries per meter (H/m)

for small magnetic field amplitude changes to provide a strong magnetic or diamagnetic effect on the superconductor response of the coils **704**.

In accordance with an embodiment, the first toroid **702a** and the second toroid **702b** and associated coils **704a** and **704b** around each respective toroid **702a** and **702b** include opposite rounded ends **716** connected by opposite elongated sides **718** as best shown in FIG. 7C. Each of the coils **704** include a uniform radial width (W). In other embodiments, a cross-section the first toroid **702a** and the second toroid **702b** and associated coils **704a** and **704b** define different geometric shapes depending upon the application. For example, the cross-section of the first toroid **702a** and the second toroid **702b** may be circular, elliptical, square or some other geometric shape.

Referring also to FIG. 7B, as previously described, a magnetic or diamagnetic material **720** encloses the first plurality of coils **704a** and the second plurality of coils **704b** in FIG. 7A and the first toroid **702a** and the second toroid **702b** around which the coils **704a** and **704b** are respectively wound. An elongated slot **722** is formed in the magnetic or diamagnetic material **720** at a location **724** (FIG. 7A) where coils **704** of the first plurality of coils **704a** and the second plurality of coils **704b** are closest. In accordance with an embodiment and as illustrated in FIG. 9A, the elongated slot **722** extends between two adjacent coils **704a'** and **704a''** of the first plurality of coils **704a** and two adjacent coils **704b'** and **704b''** of the second plurality of coils **704b**. The elongated slot **722** defines the channel **126** through which the energy beam **106** passes to generate the laser **102**.

In the embodiment illustrated in FIG. 7A, a first group of the coils **726** of the first plurality of coils **704a** and a second group of coils **728** of the second plurality of coils **704b** each include a size that respectively gradually decrease over a predetermined portion of each toroid **702a** and **702b**. A cross-section of each toroid **702a** and **702b** gradually decreases in size over the predetermined portion of each toroid **702a** and **702b** in correspondence with the respective gradual decrease in size of the coils **306** over the predetermined portion **310**. In accordance with an embodiment, the first group of the coils **726** of the first plurality of coils **704a** and the second group of coils **728** of the second plurality of coils **704b** gradually decrease in size over about half or less than about half a circumference of each of the first toroid **702a** and the second toroid **702b**. The radial widths ("W") **730** and lengths ("L") (FIG. 7C) of the coils **704** gradually decrease from respective pairs of points **732** and **734** on each toroid that are spaced about half or less than about half the circumference apart on each toroid to modify the first magnetic field **706a** and the second magnetic field **706b** in the elongated slot **722** for tuning the output wavelength **110** of the laser **102**. The channel **126** is in a direction traverse or perpendicular to a longitudinal length ("L") of the elongated slot **722** (FIG. 7B).

FIG. 8 is a graph **800** illustrating the magnetic field **706** measured across the elongated slot **722** or channel **126** in a direction **736** perpendicular to the longitudinal length L of the elongated slot **722** in the magnetic or diamagnetic material **720** in FIG. 7B. The direction **736** in FIG. 7B corresponds to an X direction in the graph **800**. Accordingly, the energy beam **106** wiggles back and forth through the elongated slot **722** about the X equal zero (0) point due to the changing magnetic fields **706a** and **706b** in the elongated slot **722**. The energy beam **106** will spend most of its time in regions A and will travel quickly through region B in FIG. 8. By causing the magnetic field **706** in region A to vary as

15

an inverse square root, then for most of the time, the energy beam 106 will be in the proper environment to produce lasing.

In accordance with an embodiment, the electric current supply 712 (FIG. 7C) is a variable electric current supply electrically connected to at least coils 704a and/or 704b proximate the elongated slot 722 formed in the magnetic or diamagnetic material 720. The electric current 708 flowing in the coils 704a and/or 704b is modulated to modify at least one of the first magnetic field 706a and the second magnetic field 706b in the elongated slot 722 for tuning the output wavelength 110 of the laser 102 (FIG. 1).

FIGS. 9A and 9B are each a view of a portion of the apparatus 700 in FIGS. 7A and 7B illustrating an example of the coils 704 being rotated in the elongated slot 722 or channel 126 of the apparatus 700 to modify the magnetic fields 706a and 706b in the elongated slot 722 in accordance with an embodiment of the present disclosure. The two adjacent coils 704a' and 704a" of the first plurality of separate coils 704a and the two adjacent coils 704b' and 704b" of the second plurality of separate coils 704b that are proximate the elongated slot 722 or channel 126 are rotated a predetermined number of degrees with respect to the elongated slot 722 to modify at least one of the first magnetic field 706a and the second magnetic field 706b in the elongated slot 722 for tuning the output wavelength 110 of the laser 102 (FIG. 1). The elongated slot 722 has a predetermined width ("W") at the location 724 between the closest coils of the first plurality of coils 704a and the second plurality of coils 704b. In accordance with an embodiment, coil 704a' of the first plurality of coils 704a is rotated in a clockwise direction as illustrated by arrow 738 in FIG. 9B about ten degrees (10°) from a normal orientation corresponding with the other first plurality of coils 704a and coil 704a" is rotated in a counterclockwise direction as illustrated by arrow 740 about ten degrees (10°) from a normal orientation corresponding with the other coils 704a. Similarly, coil 704b' of the second plurality of coils 704b is rotated in a counterclockwise direction as illustrated by arrow 742 in FIG. 9B about ten degrees (10°) from its normal orientation corresponding with the other coils 704b and coil 704b" is rotated in a clockwise direction as illustrated by arrow 744 about ten degrees (10°) from its normal orientation with the other coils 704b.

In accordance with another embodiment, the predetermined distance "D" (FIG. 9A) between the first toroid 702a and the second toroid 702b or distance between the closest coils of the first plurality of coils 704a and the second plurality of coils 704b is changed or adjusted to modify the first magnetic field 706a and the second magnetic field 706b in the elongated slot 722 or channel 126 for tuning the output wavelength 110 of the laser 102 (FIG. 1).

FIG. 10 is a view of a portion of the apparatus 700 in FIGS. 7A and 7B illustrating an example of a segment 746 of magnetic or diamagnetic material 720 being inserted into one or more selected locations 748 in the elongated slot 722 to modify the magnetic fields 706a and 706b in the elongated slot 722 for tuning the output wavelength 110 of the laser 102 in accordance with another embodiment of the present disclosure.

Accordingly, the apparatus 700 is configurable or controllable for tuning the output wavelength 110 of the laser 102 by at least one of: rotating coils 704a and/or 704b proximate the elongated slot 722 or channel 126 a predetermined number of degrees with respect to the elongated slot 722 or channel 126 to modify at least one of the first magnetic field 706a and the second magnetic field 706b in

16

the elongated slot 722 or channel 126 for tuning the output wavelength 110 of the laser 102; changing, for example, decreasing a radial width of coils 704 proximate the elongated slot 722 or channel 126 to modify at least one of the first magnetic field 706a and the second magnetic field 706b in the elongated slot 722 for tuning the output wavelength 110 of the laser 102; adjusting the predetermined distance "D" between the first toroid 702a and the second toroid 702b to modify at least one of the first magnetic field 706a and the second magnetic field 706b in the elongated slot 722 for tuning the output wavelength 110 of the laser 102; inserting a segment 746 of magnetic or diamagnetic material 720 into a selected location 748 or locations in the elongated slot 722 to modify at least one of the first magnetic field 706a and the second magnetic field 706b in the elongated slot 722 for tuning the output wavelength 110 of the laser 102; and modulating the electric current 708 flowing in at least the coils 704 proximate the elongated slot 722 or channel 126 to modify at least one of the first magnetic field 706a and the second magnetic field 706b in the elongated slot 722 or channel 126 for tuning the output wavelength 110 of the laser 102.

FIG. 11 is a flow chart of an example of a method 1100 for generating a high power energy beam based laser in accordance with an embodiment of the present disclosure. In accordance with an embodiment, the method 1100 is embodied in and performed by the system 100 in FIG. 1 which in different embodiments includes one of the apparatuses 200, 300 or 700. In block 1102, an energy beam is received by an apparatus that is configurable or controllable for tuning an output wavelength of a laser or laser beam generated by the apparatus using the energy beam.

In block 1104, a first magnetic field is produced that is oriented in a first direction. In block 1106, a second magnetic field is produced that is oriented in a second direction substantially opposite to the first direction. As previously described, in some embodiments, the second magnetic field is oriented exactly opposite the first magnetic field. In other embodiments, the second magnetic field is oriented at some angle that is different from exactly opposite the first magnetic field at some locations within the apparatus.

In block 1108, a channel is formed or defined through the apparatus through which the energy beam passes. In block 1110, at least one of the first magnetic field and the second magnetic field are modified in the channel for tuning the output wavelength of the laser. In accordance with different embodiments, the first magnetic field and/or the second magnetic field are modified by one or more of the techniques described herein for tuning the output wavelength of the laser.

FIG. 12 is a flow chart of an example of a method 1200 for tuning an output wavelength of an energy beam based laser. In block 1202, an apparatus is provided for generating an energy beam based laser. The apparatus is configurable or controllable for tuning an output wavelength of the laser. In accordance with an embodiment, the apparatus is similar to the apparatus 700 in FIGS. 7A-7C and 9A-10.

In block 1204, coils 704a and 704b proximate the elongated slot 722 are rotated a predetermined number of degrees with respect to the elongated slot 722 to modify at least one of the first magnetic field 706a or the second magnetic field 706b in the elongated slot 722 for tuning the output wavelength 110 of the laser 102.

In block 1206, a radial width 730 of coils 704a, 704b proximate the elongated slot 722 is adjusted (increased or decreased) to modify at least one of the first magnetic field

17

706a or the second magnetic field 706b in the elongated slot 722 for tuning the output wavelength 110 of the laser 102.

In block 1208, the predetermined distance (D) between the first toroid 702a and the second toroid 702b is adjusted to modify at least one of the first magnetic field 706a and the second magnetic field 706b in the elongated slot 722 for tuning the output wavelength 110 of the laser 102.

In block 1210, a segment 746 of magnetic or diamagnetic material is inserted into a selected location or locations 748 in the elongated slot 722 to modify at least one of the first magnetic field 706a or the second magnetic field 706b in the elongated slot 722 for tuning the output wavelength 110 of the laser 102.

In block 1212, the electric current 708 flowing in the coils 704a, 704b is modulated to modify at least one of the first magnetic field 706a or the second magnetic field 706b in the elongated slot 722 for tuning the output wavelength 110 of the laser 102.

The embodiments described herein provide lighter weight and less bulky implementations for free-electron lasers. Additionally, the embodiments described herein provide variable wavelength operation with real-time tenability.

The terminology used herein is for the purpose of describing particular embodiments only and is not intended to be limiting of embodiments of the disclosure. As used herein, the singular forms “a”, “an” and “the” are intended to include the plural forms as well, unless the context clearly indicates otherwise. It will be further understood that the terms “comprises” and/or “comprising,” when used in this specification, specify the presence of stated features, integers, steps, operations, elements, and/or components, but do not preclude the presence or addition of one or more other features, integers, steps, operations, elements, components, and/or groups thereof.

The corresponding structures, materials, acts, and equivalents of all means or step plus function elements in the claims below are intended to include any structure, material, or act for performing the function in combination with other claimed elements as specifically claimed. The description of the present embodiments has been presented for purposes of illustration and description, but is not intended to be exhaustive or limited to embodiments in the form disclosed. Many modifications and variations will be apparent to those of ordinary skill in the art without departing from the scope and spirit of embodiments.

Although specific embodiments have been illustrated and described herein, those of ordinary skill in the art appreciate that any arrangement which is calculated to achieve the same purpose may be substituted for the specific embodiments shown and that the embodiments have other applications in other environments. This application is intended to cover any adaptations or variations. The following claims are in no way intended to limit the scope of embodiments of the disclosure to the specific embodiments described herein.

What is claimed is:

1. A system for generating an energy beam based laser, comprising:

an apparatus for receiving an energy beam and for generating an energy beam based laser, the apparatus being configurable or controllable for tuning an output wavelength of the laser generated by the apparatus using the energy beam, the apparatus comprising:

a first plurality of tubes of different dimensions, each smaller tube extending within a larger tube and each tube comprising an electrically conductive material for generating a first

18

magnetic field in response to electric current flowing in the conductive material;

an elongated slot formed in each tube of the first plurality of tubes parallel to a longitudinal axis of each tube, the elongated slot in each tube of the first plurality of tubes being aligned to form a first aperture in the first component;

a second component comprising a second plurality of tubes of different dimensions, each smaller tube extending within a larger tube and each tube comprising an electrically conductive material for generating a second magnetic field in response to electric current flowing in the electrically conductive material; and

an elongated slot formed in each tube of the second plurality of tubes parallel to a longitudinal axis of each tube, the elongated slot in each tube of the second plurality of tubes being aligned to form a second aperture in the second component, wherein the first aperture is aligned with the second aperture to form a channel through the apparatus in which the first magnetic field and the second magnetic field are both compressed in response to the electric current flowing in the electrically conductive material of each tube, wherein the energy beam passes through the channel to generate the laser at an output of the apparatus, wherein the apparatus is configurable or controllable for modifying at least one of the first magnetic field and the second magnetic field for tuning the output wavelength of the laser.

2. The system of claim 1, wherein each tube of the first plurality of tubes and the second plurality of tubes comprises:

a substrate comprising an inner surface and an outer surface;

an inside layer of electrically conductive material or semiconductor material disposed on the inner surface of each substrate of those tubes that enclose another tube of the plurality of tubes; and

an outside layer of electrically conductive material or semiconductor material disposed on the outer surface of each substrate of those tubes that are enclosed by another tube of the plurality of tubes.

3. The system of claim 2, wherein the substrate comprises one of an electrical insulator material, an electrical semiconductor material or an electrically conductive material and wherein the inside layer and the outside layer of electrically conductive material or semiconductor material comprise a superconducting material.

4. The system of claim 2, further comprising an electric current supply electrically connected to each inside layer of electrically conductive material and each outside layer of electrically conductive material for generating an electric current flow in each layer of electrically conductive material and a compressed first magnetic field and second magnetic field in the channel.

5. The system of claim 4, wherein each electric current supply is adjustable for adjusting a balance of electric currents among the first plurality of tubes and the second plurality of tubes and modifying at least one of the first magnetic field and the second magnetic field across the channel for tuning the output wavelength of the laser, wherein the electric currents comprise one of continuous electric currents, alternating electric currents and pulsed electric currents.

6. The system of claim 2, wherein at least one of the inside layer of electrically conductive material and the outside

layer of electrically conductive material comprises a plurality of ridges for modulating the electric current flowing in the layer of electrically conductive material for modifying at least one of the first magnetic field and the second magnetic field across the channel for tuning the output wavelength of the laser.

7. A method for generating an energy beam based laser, comprising:

receiving an energy beam by an apparatus that is configurable or controllable for tuning an output wavelength of a laser generated by the apparatus using the energy beam, wherein the apparatus comprises a first plurality of tubes of different dimensions and a second plurality of tubes of different dimensions, each smaller tube extending within a larger tube and each tube comprising an electrically conductive material for generating a magnetic field in response to electric current flowing in the electrically conductive material of each tube;

defining a channel through the apparatus through which the energy beam passes, the channel being defined by an elongated slot formed in each tube of the first plurality of tubes and the second plurality of tubes parallel to a longitudinal axis of each tube, the elongated slot in each tube of the first plurality of tubes and the second plurality of tubes being aligned to form the channel;

generating a first magnetic field oriented in a first direction in the channel;

generating a second magnetic field oriented in a second direction in the channel; and

modifying at least one of the first magnetic field and the second magnetic field in the channel for tuning the output wavelength of the laser.

8. The method of claim 7, further comprising orienting the second direction of the second magnetic field substantially opposite the first direction of the first magnetic field.

9. The method of claim 7, wherein each tube of the first plurality of tubes and the second plurality of tubes comprises:

a substrate comprising an inner surface and an outer surface;

an inside layer of electrically conductive material or semiconductor material disposed on the inner surface of each substrate of those tubes that enclose another tube of the plurality of tubes; and

an outside layer of electrically conductive material or semiconductor material disposed on the outer surface of each substrate of those tubes that are enclosed by another tube of the plurality of tubes.

10. The method of claim 9, wherein the substrate comprises one of an electrical insulator material, an electrical semiconductor material or an electrically conductive material.

11. The method of claim 9, wherein the inside layer and the outside layer of electrically conductive material or semiconductor material comprise a superconducting material.

12. The method of claim 9, wherein at least one of the inside layer of electrically conductive material or the outside layer of electrically conductive material comprises a plurality of ridges for modulating the electric current flowing in the layer of electrically conductive material for modifying at

least one of the first magnetic field or the second magnetic field across the channel for tuning the output wavelength of the laser.

13. The method of claim 9, further comprising electrically connecting an electric current supply to each inside layer of electrically conductive material and each outside layer of electrically conductive material for generating the electric current in each layer of electrically conductive material and a compressed first magnetic field and second magnetic field in the channel.

14. The method of claim 13, further comprising adjusting the electric current supply to balance electric currents among the first plurality of tubes and the second plurality of tubes.

15. The method of claim 7, wherein modifying the at least one of the first magnetic field and the second magnetic field in the channel comprises adjusting the electric currents flowing in at least one of the first plurality of tubes or the second plurality of tubes for tuning the output wavelength of the laser.

16. The method of claim 15, wherein the electric currents comprise one of continuous electric currents, alternating electric currents and pulsed electric currents.

17. A system for generating an energy beam based laser, comprising:

an apparatus for receiving an energy beam and for generating an energy beam based laser, the apparatus comprising:

a plurality of tubes of different dimensions, each smaller tube extending within a larger tube and each tube comprising an electrically conductive material for generating a magnetic field in response to electric current flowing in the conductive material; and

an elongated slot formed in each tube parallel to a longitudinal axis of each tube, the elongated slot of each tube being aligned to form an aperture that defines a channel through the apparatus, wherein the energy beam passes through the channel to generate the energy beam based laser at an output of the apparatus, and wherein the apparatus is configurable or controllable for modifying the magnetic field for tuning an output wavelength of the energy beam based laser.

18. The system of claim 17, wherein each tube of the plurality of tubes comprises:

a substrate comprising an inner surface and an outer surface;

an inside layer of electrically conductive material or semiconductor material disposed on the inner surface of each substrate of those tubes that enclose another tube of the plurality of tubes; and

an outside layer of electrically conductive material or semiconductor material disposed on the outer surface of each substrate of those tubes that are enclosed by another tube of the plurality of tubes.

19. The system of claim 18, further comprising an electric current supply electrically connected to each inside layer of electrically conductive material and each outside layer of electrically conductive material for generating an electric current flow in each layer of electrically conductive material and a compressed magnetic field in the channel.

20. The system of claim 19, wherein each electric current supply is adjustable for modifying at least one of the magnetic field across the channel for tuning the output wavelength of the laser.