

GIBBS
aquada

GIBBS
aquada



F R E E D O M H A S A N E W N A M E



Sales & Marketing
Aquada Sales Ltd, Avenue Road,
Nuneaton, Warwickshire CV11 4LY
United Kingdom

Telephone: +44 (0) 2476 377 941
Email: enquiries@aquadasales.co.uk
Web: www.aquada.co.uk

REMOVING THE BOUNDARIES Open your mind and imagination to a vehicle unlike any other. A vehicle that defies belief. A vehicle that is exciting, exceptional and unique. A vehicle that will transform your life. This is the Gibbs Aquada. The world's first High Speed Amphibian (HSA) and world record holder for amphibian vehicle speed, capable of over 100mph on land and in excess of 30mph on water.



FREEDOM HAS A NEW NAME

GIBBS AQUADA

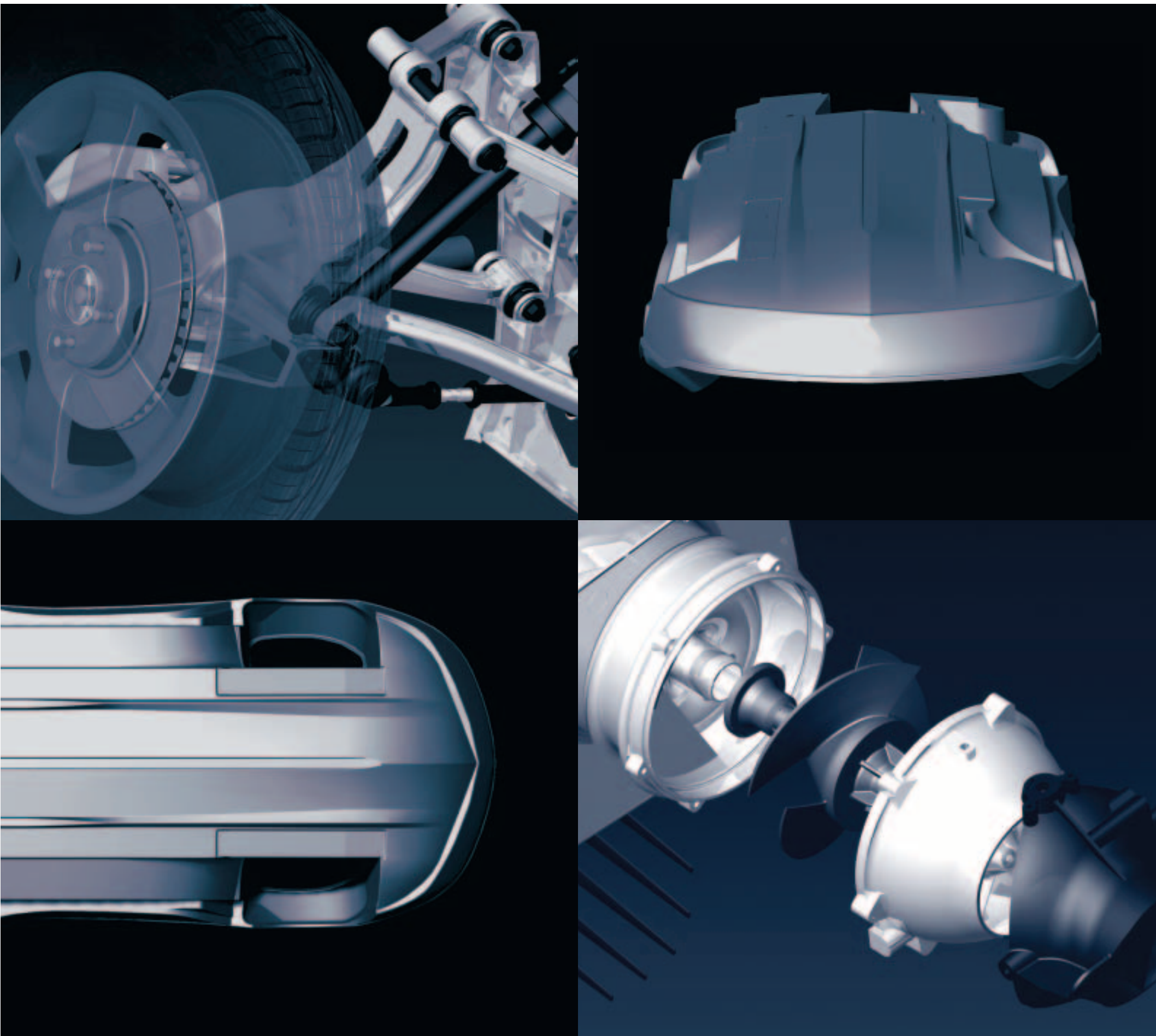


EXPERIENCE THE SENSATION Breath taking, sensational and totally captivating. The Gibbs Aquada delivers the ultimate thrill. Within seconds of entering the water, it can accelerate to speeds of over 30mph. Powerful enough to tow a water skier – it is the ultimate leisure vehicle. Open top sports car thrills are combined with the sheer exhilaration experienced in a high performance speedboat. There is no feeling like it.



IN A CLASS OF ITS OWN Head turning style, outstanding quality and exceptional design detailing are evident in every aspect of this unique and distinctive vehicle. It has been precision engineered to the most exacting standards, has undergone an extensive safety testing programme and complies with all appropriate marine and road safety regulations. With superior handling on both land and water - it knows no compromise.





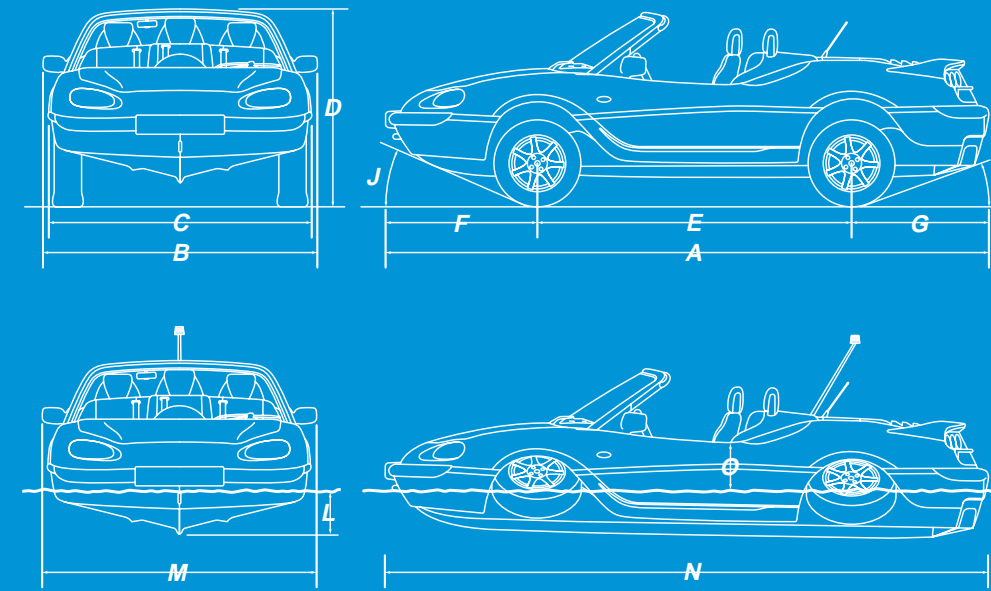
A RADICAL NEW BREED This vehicle is made possible by the application of High Speed Amphibian (HSA) Technology. Its ability to 'plane' on water is the result of a 7 year development programme and engineering breakthroughs culminating in over 60 patented inventions. These include a revolutionary jet propulsion system that delivers nearly a tonne of thrust, computer controlled wheel retraction and leading edge developments in hydrodynamics.

FREEDOM HAS A NEW NAME



FREEDOM KNOWS NO BOUNDARIES The Gibbs Aquada provides a freedom to travel in a way that has never been possible before. It will change the face of travel as we know it. This new generation vehicle and showcase of High Speed Amphibian (HSA) Technology is a 'must have' for those who want to experience leading edge innovation. This is where the journey begins.

GIBBS
aquada



TECHNICAL SPECIFICATION

Category	Private Light Vehicle and RCD Category D
Engine	175 hp, 24 valve, V6 with EEC compliant immobiliser
Gearbox	5 speed auto and reverse
Fuel	95 Ron Unleaded
Fuel tank capacity	15 gallons/67 litres
Wheels	front 16 x 6.5 J alloy 6 spoke; rear 16 x 6.5 J alloy 6 spoke
Tyres	front 215 x 65; rear 225 x 60
Brakes	All round power assisted discs. Front ventilated
Suspension	Computer controlled air/oil hydraulic self-levelling with variable ride height
Steering	Power assisted on road and water
Seating	3 across-centre steer. Seats can be elevated for improved visibility on water
Seat belts	Three-point pre-tension seat belts for driver and 2 passengers
Kerb weight	1466kg
Permissible gross weight	1750kg
Jet	Proprietary Gibbs unit
Trim tabs	Dihedral electric trim tabs
Bilge pumps	3 independent systems
Buoyancy	Non-sinkable if swamped
Lights	Marine navigation lights
Fire protection	Automatic engine compartment suppression system
Boot capacity	35kg
Hood	Bimini style
Heater	Included
Audio	Water-resistant CD/radio

KEY

A	4.810m
B	2.046m
C	2.010m
D	1.498m
E	2.490m
F	1.169m
G	1.143m
H	11.86m (turn. circle)
J	19°
K	13°
L	650mm (max.)
M	2.046m
N	4.810m
O	300mm