

S = Standard Equipment A = Available --(dashes) = Not Available D = ADI Available

■ = Included in Equipment Group □ = Included in Equipment Group but upgradeable

Codes listed in the shaded column titled Ref. Only RPO Code are for internal use only and should not be ordered.

| Free Flow RPO Code | Ref. RPO Code | Description | 1LS Coupe 1AG37 | 1LT Coupe 1AG37 | 2LT Coupe 1AH37 | 3LT Coupe 1AH37 | LT1 Coupe 1AJ37 | 1SS Coupe 1AJ37 | 2SS Coupe 1AK37 | ZL1 Coupe 1AL37 |
|--------------------|---------------|-----------------------------------------------------------------------------------------------------------------------------------------------------------------------------------------------------------------------------------------------------------------------------------------------------------------------------------------------------------------------------------------------------------------------------------------------------------------------|-----------------|-----------------|-----------------|-----------------|-----------------|-----------------|-----------------|-----------------|
| | | | 1LS | 1LT | 2LT | 3LT | 1LZ | 1SS | 2SS | 1SE |
| | AYG | Airbags , dual-stage frontal, thorax side-impact and knee, driver and front passenger, and head curtain side-impact, includes Passenger Sensing System 1 - Always use seat belts and child restraints. Children are safer when properly secured in a rear seat in the appropriate child restraint. See the Owner's Manual for more information. | S ¹ | S ¹ | S ¹ | S ¹ | S ¹ | S ¹ | S ¹ | S ¹ |
| | C68 | Air conditioning , single-zone automatic climate control | S | S | -- | -- | S | S | -- | -- |
| | CJ2 | Air conditioning , dual-zone automatic climate control with individual climate settings for driver and dedicated passenger controls and outside temperature display | -- | -- | S | S | -- | -- | S | S |
| | IOR | Audio system , Chevrolet Infotainment 3 system, 7" diagonal color touchscreen, AM/FM stereo. Additional features for compatible phones include: Bluetooth audio streaming for 2 active devices, voice command pass-through to phone, Apple CarPlay and Android Auto capable. | S | S | S | -- | S | -- | -- | -- |
| | IOS | Audio system , Chevrolet Infotainment 3 Plus system, 8" diagonal HD color touchscreen, AM/FM stereo, Bluetooth audio streaming for 2 active devices, Apple CarPlay and Android Auto capable, voice recognition, in-vehicle apps, cloud connected personalization for select infotainment and vehicle settings. Subscription required for enhanced and connected services after trial period. 1 - Included and only available with (Y3W) Technology Package. | -- | A ¹ | A ¹ | S | A ¹ | S | S | S |

| Free Flow RPO Code | Ref. Only RPO Code | Description | 1LS Coupe 1AG37 | 1LT Coupe 1AG37 | 2LT Coupe 1AH37 | 3LT Coupe 1AH37 | LT1 Coupe 1AJ37 | 1SS Coupe 1AJ37 | 2SS Coupe 1AK37 | ZL1 Coupe 1AL37 |
|--------------------|--------------------|---------------------------------------------------------------------------------------------------------------------------------------------------------------------------------------------------------------------------------------------------------------------------------------------------------------------------------------------------------------------------------------------------------------------------------------------------------------------------------------------------------------------------------------------------------------------------------------------------------------------------------------------------------------------------------------------------------------------------------------------------------------------------------------------------------------------------------------------------------------------------------------------------------------------------------------------------------------------------------------|-----------------|-----------------|-----------------|-----------------|-----------------|-----------------|-----------------|-----------------|
| | | | 1LS | 1LT | 2LT | 3LT | 1LZ | 1SS | 2SS | 1SE |
| | U2K | <p>SiriusXM Radio, enjoy a 12-month All Access trial subscription with over 150 channels including commercial-free music, plus sports, news and entertainment. Plus listening on the SiriusXM app, online and at home on compatible connected devices is included, so you'll hear the best SiriusXM has to offer, anywhere life takes you. Welcome to the world of SiriusXM.</p> <p>1 - IMPORTANT: The SiriusXM radio trial package is not provided on vehicles that are ordered for Fleet Daily Rental ("FDR") use. If you decide to continue service after your trial, the subscription plan you choose will automatically renew thereafter and you will be charged according to your chosen payment method at then-current rates. Fees and taxes apply. See the SiriusXM Customer Agreement at www.siriusxm.com for complete terms and how to cancel. All fees, content, features, and availability are subject to change.</p> | -- | S ¹ | S ¹ | -- | S ¹ | -- | -- | -- |

| Free Flow RPO Code | Ref. Only RPO Code | Description | 1LS Coupe 1AG37 | 1LT Coupe 1AG37 | 2LT Coupe 1AH37 | 3LT Coupe 1AH37 | LT1 Coupe 1AJ37 | 1SS Coupe 1AJ37 | 2SS Coupe 1AK37 | ZL1 Coupe 1AL37 |
|--------------------|--------------------|---------------------------------------------------------------------------------------------------------------------------------------------------------------------------------------------------------------------------------------------------------------------------------------------------------------------------------------------------------------------------------------------------------------------------------------------------------------------------------------------------------------------------------------------------------------------------------------------------------------------------------------------------------------------------------------------------------------------------------------------------------------------------------------------------------------------------------------------------------------------------------------------------------------------------------------------------------------------------------------------------------------------------------------------------------------------------------------------------------------------------------------------------------------------------------------------------------------------------------------------------------------------------------------------------------------------------------------------------------------------------------------------------------------------------------------------------------------------------------------------------------------------------------------------------------------------------------------------------------------------------------------------------------------------------------------------------------------------------------------------------------------------------------------------------------------------------------------------------------------------------------------------------------------------------------------------------------------------------------------------------------------------------------------------------------------------------------------------------------------------------------------------------------------|-----------------|-----------------|-----------------|-----------------|-----------------|-----------------|-----------------|-----------------|
| | | | 1LS | 1LT | 2LT | 3LT | 1LZ | 1SS | 2SS | 1SE |
| | | <p>SiriusXM with 360L, Equipped with SiriusXM with 360L. Enjoy a 12-month trial subscription of the All Access package for the full 360L experience, with a greater variety of SiriusXM content, a more personalized experience and easier navigation. With the All Access package, you can also enjoy your favorites everywhere you go, with the SiriusXM app, online and at home on compatible connected devices.</p> <p>1 - Included and only available with (IOS) Chevrolet Infotainment 3 Plus system. IMPORTANT: The SiriusXM radio trial package is not provided on vehicles that are ordered for Fleet Daily Rental ("FDR") use. If you decide to continue service after your trial, the subscription plan you choose will automatically renew thereafter and you will be charged according to your chosen payment method at then-current rates. Fees and taxes apply. See the SiriusXM Customer Agreement at www.siriusxm.com for complete terms and how to cancel. All fees, content, features, and availability are subject to change. GM connected vehicle services vary by vehicle model and require active service plan, working electrical system, cell reception and GPS signal. See onstar.com for details and limitations.</p> <p>2 - IMPORTANT: The SiriusXM radio trial package is not provided on vehicles that are ordered for Fleet Daily Rental ("FDR") use. If you decide to continue service after your trial, the subscription plan you choose will automatically renew thereafter and you will be charged according to your chosen payment method at then-current rates. Fees and taxes apply. See the SiriusXM Customer Agreement at www.siriusxm.com for complete terms and how to cancel. All fees, content, features, and availability are subject to change. GM connected vehicle services vary by vehicle model and require active service plan, working electrical system, cell reception and GPS signal. See onstar.com for details and limitations.</p> | -- | A ¹ | A ¹ | S ² | A ¹ | S ² | S ² | S ² |
| | UQ3 | Audio system feature, 6-speaker system | S | S | S | -- | S | S | -- | -- |
| | UQA | Audio system feature, Bose premium 9-speaker system 1 - Included and only available with (Y3W) Technology Package. | -- | A ¹ | A ¹ | S | A ¹ | -- | S | S |

| Free Flow RPO Code | Ref. Only RPO Code | Description | 1LS Coupe 1AG37 | 1LT Coupe 1AG37 | 2LT Coupe 1AH37 | 3LT Coupe 1AH37 | LT1 Coupe 1AJ37 | 1SS Coupe 1AJ37 | 2SS Coupe 1AK37 | ZL1 Coupe 1AL37 |
|--------------------|--------------------|-----------------------------------------------------------------------------------------------------------------------------------------------------------------------------------------------------------------------------------------------------------------------------------------------------------------------------------------------|-----------------|-----------------|-----------------|-----------------|-----------------|-----------------|-----------------|-----------------|
| | | | 1LS | 1LT | 2LT | 3LT | 1LZ | 1SS | 2SS | 1SE |
| | UPG | Bluetooth for phone | S | S | S | S | S | S | S | S |
| | | Compass display | S | S | S | S | S | S | S | S |
| | | Cruise control , electronic with set and resume speed, steering wheel mounted | S | S | S | S | S | S | S | S |
| | | Cup holders , 2 front | S | S | S | S | S | S | S | S |
| | | Dead pedal , driver | S | S | S | S | S | S | S | S |
| | | Defogger , rear-window, electric | S | S | S | S | S | S | S | S |
| | | Door locks , power programmable with lockout protection | S | S | S | S | S | S | S | S |
| | UDD | Driver Information Center , color display | S | S | S | -- | S | -- | -- | -- |
| | UHS | Driver Information Center , enhanced, 8" diagonal multi-color re-configurable display | -- | -- | -- | S | -- | S | S | S |
| | B34 | Floor mats , carpeted front | S | S | S | S | S | S | S | S |
| | UEU | Forward Collision Alert 1 - Deleted when (UQT) Performance data and video recorder is ordered. | -- | -- | -- | S ¹ | -- | -- | S ¹ | S ¹ |
| | | Glovebox , lockable | S | S | S | S | S | S | S | S |
| | UV6 | Head-Up Display , with color digital readouts for vehicle speed, selected gear, G-Force, audio system information, high-beam indicator, compass, outside air temperature, tachometer, vehicle messages, Turn-by-Turn information and phone information 1 - Included and only available with (A1Y) SS 1LE Track Performance Package. | -- | -- | -- | S | -- | A ¹ | S | S |
| | | Interior trim , aluminum accents on door trim and shifter cap | -- | -- | -- | S | -- | -- | S | S |
| | ATH | Keyless Open and Start , includes 2 remote transmitters that enable automatic door unlock and open by touching door switch | S | S | S | S | S | S | S | S |
| | | LATCH system (Lower Anchors and Tethers for CHildren), for child restraint seats | S | S | S | S | S | S | S | S |
| | | Lighting , front reading lamps | S | S | S | S | S | S | S | S |
| | C70 | Lighting , interior spectrum, 24 different color selections | -- | -- | -- | S | -- | -- | S | S |

| Free Flow RPO Code | Ref. Only RPO Code | Description | 1LS Coupe 1AG37 | 1LT Coupe 1AG37 | 2LT Coupe 1AH37 | 3LT Coupe 1AH37 | LT1 Coupe 1AJ37 | 1SS Coupe 1AJ37 | 2SS Coupe 1AK37 | ZL1 Coupe 1AL37 |
|--------------------|--------------------|----------------------------------------------------------------------------------------------------------------------------------|-----------------|-----------------|-----------------|-----------------|-----------------|-----------------|-----------------|-----------------|
| | | | 1LS | 1LT | 2LT | 3LT | 1LZ | 1SS | 2SS | 1SE |
| | A45 | Memory Package , recalls 2 driver "presets" for 8-way power driver seat and outside mirrors | -- | -- | -- | S | -- | -- | S | S |
| | D31 | Mirror , inside rearview manual day/night, frameless | S | S | S | -- | S | S | -- | -- |
| | DRZ | Rear Camera Mirror | -- | -- | -- | S | -- | -- | S | S |
| | UE1 | OnStar and Chevrolet connected services capable 1 - Terms and limitations apply. See onstar.com or dealer for details. | S ¹ | S ¹ | S ¹ | S ¹ | S ¹ | S ¹ | S ¹ | S ¹ |
| | VV4 | 4G LTE Wi-Fi Hotspot capable 1 - Terms and limitations apply. See onstar.com or dealer for details. | S ¹ | S ¹ | S ¹ | S ¹ | S ¹ | S ¹ | S ¹ | S ¹ |
| | | Chevrolet Connected Access capable 1 - Subject to terms. See onstar.com or dealer for details. | S ¹ | S ¹ | S ¹ | S ¹ | S ¹ | S ¹ | S ¹ | S ¹ |
| | JF5 | Pedals , sport alloy | -- | A | A | A | A | A | A | S |
| | UVB | HD Rear Vision Camera 1 - Rear Vision Camera display is not HD with IOR audio system. | S ¹ | S ¹ | S ¹ | S | S ¹ | S | S | S |
| | | Seat belts , 3-point, all positions, includes front seat driver and front passenger seat belt pretensioners | S | S | S | S | S | S | S | S |
| | A50 | Seats , front Sport bucket | S | S | S | S | S | S | S | -- |
| | AQJ | Seats , front bucket, RECARO performance 1 - Requires (H1T/H0Y) Jet Black interior trim. | -- | A ¹ | A ¹ | A ¹ | A ¹ | A ¹ | A ¹ | S |
| | AM7 | Seat , rear, folding | S | S | S | S | S | S | S | S |
| | KA1 | Seats , heated driver and front passenger | -- | -- | S | S | -- | -- | S | S |
| | KQV | Seats , ventilated driver and front passenger | -- | -- | S | S | -- | -- | S | S |
| | AV3 | Seat adjuster , driver, 8-way power | S | S | S | S | S | S | S | S |
| | AAQ | Seat adjuster , front passenger, 4-way manual with power recline | S | -- | -- | -- | -- | -- | -- | -- |
| | AKQ | Seat adjuster , front passenger, 6-way power | -- | S | S | S | S | S | S | S |
| | VY7 | Shift knob , leather-wrapped | S | S | S | S | S | S | S | -- |

| Free Flow RPO Code | Ref. Only RPO Code | Description | 1LS Coupe 1AG37 | 1LT Coupe 1AG37 | 2LT Coupe 1AH37 | 3LT Coupe 1AH37 | LT1 Coupe 1AJ37 | 1SS Coupe 1AJ37 | 2SS Coupe 1AK37 | ZL1 Coupe 1AL37 |
|--------------------|--------------------|----------------------------------------------------------------------------------------------------------------------------------------------------------------------------------------------------------------------------------------------------------------------------------------------------------------------------------------------------------------------------------------------------------|-----------------|-----------------|-----------------|-----------------|-----------------|-----------------|-----------------|-----------------|
| | | | 1LS | 1LT | 2LT | 3LT | 1LZ | 1SS | 2SS | 1SE |
| | KS9 | Shift knob , sueded microfiber-wrapped 1 - Included and only available with (N26) sueded microfiber-wrapped steering wheel or (A1X/A1Y) 1LE Track Performance Package. 2 - Included and only available with (N26) sueded microfiber-wrapped steering wheel. | -- | A ¹ | A ¹ | A ¹ | A ² | A ¹ | A ¹ | S |
| | B7G | Sill plates , illuminated | -- | -- | -- | S | -- | -- | S | S |
| | UMN | Speedometer , miles/kilometers | S | S | S | S | S | S | S | S |
| | | Steering column , manual rake and telescopic | S | S | S | S | S | S | S | S |
| | NP5 | Steering wheel , leather-wrapped, flat-bottom | S | S | S | S | S | S | S | -- |
| N26 | | Steering wheel , 3-spoke, sueded microfiber-wrapped, flat-bottom 1 - Requires (MX0) automatic transmission. | -- | A | A | A | A ¹ | A | A | S |
| | UVD | Steering wheel , heated | -- | -- | -- | S | -- | -- | S | S |
| | TDM | Teen Driver , a configurable feature that lets you activate customizable vehicle settings associated with a key fob, to help encourage safe driving behavior. It can limit certain available vehicle features, and it prevents certain safety systems from being turned off. An in-vehicle report card gives you information on driving habits and helps you to continue to coach your new driver | S | S | S | S | S | S | S | S |
| | | Theft-deterrent system , electrical, unauthorized entry | S | S | S | S | S | S | S | S |
| | | Tire Fill Alert | S | S | S | S | S | S | S | S |
| | | Tire Pressure Monitor System | S | S | S | S | S | S | S | S |
| | | Trunk emergency release handle | S | S | S | S | S | S | S | S |
| | | Trunk release , power | S | S | S | S | S | S | S | S |
| | | Visors , driver and front passenger vanity mirrors, covered, non-illuminated | S | S | S | -- | S | -- | -- | -- |
| | | Visors , driver and front passenger vanity mirrors, covered, illuminated | -- | -- | -- | S | -- | S | S | S |
| | | Windows , power with driver and passenger Express-Down/Up | S | S | S | S | S | S | S | S |
| | K4C | Wireless Charging for devices | -- | -- | -- | S | -- | -- | S | S |

| Free Flow RPO Code | Ref. Only RPO Code | Description | 1LS Coupe 1AG37 | 1LT Coupe 1AG37 | 2LT Coupe 1AH37 | 3LT Coupe 1AH37 | LT1 Coupe 1AJ37 | 1SS Coupe 1AJ37 | 2SS Coupe 1AK37 | ZL1 Coupe 1AL37 |
|--------------------|--------------------|------------------------------------------------------------------------------------------------------------------------------------------------------------------------------------------------------------------------------------------------------------------|-----------------|-----------------|-----------------|-----------------|-----------------|-----------------|-----------------|-----------------|
| | | | 1LS | 1LT | 2LT | 3LT | 1LZ | 1SS | 2SS | 1SE |
| | PPW | NEW! Wireless Apple CarPlay/Wireless Android Auto | S | S | S | S | S | S | S | S |
| | U77 | Antenna, integral rear window | S | S | S | S | S | S | S | S |
| | | Antenna, OnStar and SiriusXM Radio, fin-type 1 - Black. 2 - Black, except when (WRS) RS Package is ordered and changes to body-color. 3 - Body-color. | S ¹ | S ² | S ² | S ³ | S ² | S ³ | S ³ | S ³ |
| | | Bowties, Black, front and rear 1 - Included and only available with (WRS) RS Package. | -- | A ¹ | A ¹ | A ¹ | S | S | S | S |
| | | Daytime Running Lamps, LED | S | S | S | S | S | S | S | S |
| | | Fueling system, capless | S | S | S | S | S | S | S | S |
| | UKC | Lane Change Alert with Side Blind Zone Alert | -- | -- | -- | S | -- | -- | S | S |
| | | Battery rundown protection | S | S | S | S | S | S | S | S |
| | | Brake, parking, electric | S | S | S | S | S | S | S | S |
| | JL9 | Brakes, 4-wheel antilock, 4-wheel disc | S | S | S | S | -- | -- | -- | -- |
| | J55 | Brakes, Brembo 4-piston front, performance, 4-wheel antilock, 4-wheel disc 1 - Included and only available with (Y4Q) Heavy-Duty Cooling and Brake Package, (A1X) 1LE Track Performance Package, (J6F) Red-painted calipers or (J6L) Orange-painted calipers. | -- | A ¹ | A ¹ | A ¹ | S | -- | -- | -- |
| | DG7 | Mirrors, outside power-adjustable, body-color | S | S | S | -- | S | S | -- | -- |
| | J6G | Brakes, Brembo 4-piston front and rear, performance, 4-wheel antilock, 4-wheel disc | -- | -- | -- | -- | -- | S | S | -- |
| | DD1 | Mirrors, outside heated power-adjustable and driver-side auto-dimming, body-color | -- | -- | -- | S | -- | -- | S | S |
| | J6H | Brakes, Brembo 6-piston front and 4-piston rear, performance, 4-wheel antilock, 4-wheel disc | -- | -- | -- | -- | -- | -- | -- | S |
| | UFG | Rear Cross Traffic Alert | -- | -- | -- | S | -- | -- | S | S |
| | UD7 | Rear Park Assist | -- | -- | -- | S | -- | -- | S | S |
| | D5Z | Spoiler, rear, stanchion | -- | -- | -- | -- | -- | S | S | -- |

| Free Flow RPO Code | Ref. Only RPO Code | Description | 1LS Coupe 1AG37 | 1LT Coupe 1AG37 | 2LT Coupe 1AH37 | 3LT Coupe 1AH37 | LT1 Coupe 1AJ37 | 1SS Coupe 1AJ37 | 2SS Coupe 1AK37 | ZL1 Coupe 1AL37 |
|--------------------|--------------------|---------------------------------------------------------------------------------------------------------------------------------------------------------------------------------------------------------------------------------|-----------------|-----------------|-----------------|-----------------|-----------------|-----------------|-----------------|-----------------|
| | | | 1LS | 1LT | 2LT | 3LT | 1LZ | 1SS | 2SS | 1SE |
| | D52 | Spoiler , rear, sport | -- | -- | -- | -- | -- | -- | -- | S |
| | KC4 | Cooling , external engine oil cooler 1 - Included and only available with (Y4Q) Heavy-Duty Cooling and Brake Package or (A1X) 1LE Track Performance Package. | -- | A ¹ | A ¹ | A ¹ | S | S | S | S |
| | V03 | Cooling system , extra capacity 1 - Included and only available with (Y4Q) Heavy-Duty Cooling and Brake Package when (MX0) automatic transmission is ordered, or (A1X) 1LE Track Performance Package. | -- | A ¹ | A ¹ | A ¹ | -- | S | S | S |
| | V18 | Cooler , engine coolant, auxiliary 1 - Included and only available with (Y4Q) Heavy-Duty Cooling and Brake Package when (LGX) 3.6L V6 engine is ordered. | -- | A ¹ | A ¹ | A ¹ | -- | S | S | S |
| | KNR | Cooler , rear differential 1 - Included and only available with (A1X) 1LE Track Performance Package. | -- | A ¹ | A ¹ | A ¹ | -- | S | S | S |
| | KD1 | Cooler , transmission oil 1 - Included and only available with (A1X) 1LE Track Performance Package. | -- | A ¹ | A ¹ | A ¹ | -- | S | S | S |
| | G80 | Differential , limited slip 1 - Deleted when (MX0) automatic transmission is ordered. | S ¹ | S ¹ | S ¹ | S ¹ | S | S | S | -- |
| | G96 | Differential , electronic limited-slip (eLSD) 1 - Included and only available with (A1Y) SS 1LE Track Performance Package. | -- | -- | -- | -- | -- | A ¹ | A ¹ | S |
| | | Driver Selector Mode , up to 4 modes available for various driving conditions - Snow/Ice, Tour, Sport and Track (SS and ZL1 models only) | S | S | S | S | S | S | S | S |
| | | Tail lamps , dark tint 1 - Included and only available with (WRS) RS Package. | -- | A ¹ | A ¹ | A ¹ | A ¹ | S | S | S |
| | LTG | Engine , 2.0L Turbo, 4-cylinder, SIDI, VVT (275 hp [205 kW] @ 5600 rpm, 295 lb-ft of torque [398.3 N-m] @ 3000-4500 rpm) | S | S | S | S | -- | -- | -- | -- |
| | KTI | Tire inflation kit 1 - Included and only available with (R0H) 245/50R18, blackwall, all-season tires. 2 - Included and only available with (R0G) 285/30R20 front and 305/30R20 rear, blackwall, summer-only tires. | A ¹ | A ¹ | A ¹ | A ¹ | -- | A ² | A ² | S |
| | LT1 | Engine , 6.2L (376 ci) V8 DI, VVT (455 hp [339.3 kW] @ 6000 rpm, 455 lb-ft of torque [614.3 N-m] @ 4400 rpm) | -- | -- | -- | -- | S | S | S | -- |

| Free Flow RPO Code | Ref. Only RPO Code | Description | 1LS Coupe 1AG37 | 1LT Coupe 1AG37 | 2LT Coupe 1AH37 | 3LT Coupe 1AH37 | LT1 Coupe 1AJ37 | 1SS Coupe 1AJ37 | 2SS Coupe 1AK37 | ZL1 Coupe 1AL37 |
|--------------------|--------------------|------------------------------------------------------------------------------------------------------------------------------------------------------------------------------------------------------------------------------------------------------------------------------------------------------------------------------------------------------------------------------------------------------------------------------------------------------------------------------------------------------------------------------------------------------------------------------------------------------------------------------------------------------------------------------------------------------------------------------------------------------------------------------------------------------------------------------------------------------------------------------------------------------------------------------------------------------------------------------------------------------------------------------------------------------------------------------------------------------------|-----------------|-----------------|-----------------|-----------------|-----------------|-----------------|-----------------|-----------------|
| | | | 1LS | 1LT | 2LT | 3LT | 1LZ | 1SS | 2SS | 1SE |
| | R0H | Tires , 245/50R18, blackwall, all-season, includes (KTI) tire inflator kit | S | S | S | S | -- | -- | -- | -- |
| | LT4 | Engine , 6.2L supercharged V8 DI, VVT (650 hp [485 kW] @ 6400 rpm, 650 lb-ft torque [881N-m] @ 3600 rpm) | -- | -- | -- | -- | -- | -- | -- | S |
| | R0F | Tires , 245/40ZR20 front and 275/35ZR20 rear, blackwall, summer-only, run-flat 1 - Included and only available with (A1X) 1LE Track Performance Package. Do not use summer only tires in winter conditions, as it would adversely affect vehicle safety, performance and durability. Use only GM-approved tire and wheel combinations. Unapproved combinations may change the vehicle's performance characteristics. For important tire and wheel information, go to https://my.chevrolet.com/learnAbout/chevrolettires or see your dealer. 2 - Do not use summer only tires in winter conditions, as it would adversely affect vehicle safety, performance and durability. Use only GM-approved tire and wheel combinations. Unapproved combinations may change the vehicle's performance characteristics. For important tire and wheel information, go to https://my.chevrolet.com/learnAbout/chevrolettires or see your dealer. | -- | A ¹ | A ¹ | A ¹ | -- | S ² | S ² | -- |
| | | Engine air filter life monitor | S | S | S | S | -- | -- | -- | -- |
| | R0G | Tires , 285/30R20 front and 305/30R20 rear, blackwall, summer-only 1 - Included and only available with (A1Y) SS 1LE Track Performance Package. Includes (KTI) tire inflator kit. Do not use summer only tires in winter conditions, as it would adversely affect vehicle safety, performance and durability. Use only GM-approved tire and wheel combinations. Unapproved combinations may change the vehicle's performance characteristics. For important tire and wheel information, go to https://my.chevrolet.com/learnAbout/chevrolettires or see your dealer. 2 - Do not use summer only tires in winter conditions, as it would adversely affect vehicle safety, performance and durability. Use only GM-approved tire and wheel combinations. Unapproved combinations may change the vehicle's performance characteristics. For important tire and wheel information, go to https://my.chevrolet.com/learnAbout/chevrolettires or see your dealer. | -- | -- | -- | -- | -- | A ¹ | A ¹ | S ² |

| Free Flow RPO Code | Ref. Only RPO Code | Description | 1LS Coupe 1AG37 | 1LT Coupe 1AG37 | 2LT Coupe 1AH37 | 3LT Coupe 1AH37 | LT1 Coupe 1AJ37 | 1SS Coupe 1AJ37 | 2SS Coupe 1AK37 | ZL1 Coupe 1AL37 |
|--------------------|--------------------|-----------------------------------------------------------------------------------------------------------------------------------------|-----------------|-----------------|-----------------|-----------------|-----------------|-----------------|-----------------|-----------------|
| | | | 1LS | 1LT | 2LT | 3LT | 1LZ | 1SS | 2SS | 1SE |
| | R29 | Tires , 245/40R20, blackwall, all-season, run-flat 1 - Included and only available with (RTJ/RTH/RQ9/WR1/SRI/5K9) 20" wheels. | -- | A ¹ | A ¹ | A ¹ | S | -- | -- | -- |
| | N10 | Exhaust , dual-outlet stainless-steel, with bright tips | S | S | S | S | S | S | S | -- |
| NPP | | Exhaust , dual-mode 1 - Requires (LGX) 3.6L V6 engine. | -- | A ¹ | A ¹ | A ¹ | A | A | A | S |
| | SGE | Wheels , 18" (45.7 cm) 5-split spoke Silver-painted aluminum | S | -- | -- | -- | -- | -- | -- | -- |
| | XLC | Launch control , custom 1 - Included and only available with (MX0) automatic transmission. | -- | -- | -- | -- | -- | A ¹ | A ¹ | S |
| | REG | Wheels , 18" (45.7 cm) Silver-painted aluminum | -- | S | S | S | -- | -- | -- | -- |
| | RQA | Wheels , 20" (50.8 cm) Silver-painted aluminum | -- | -- | -- | -- | S | -- | -- | -- |
| | 56S | Wheels , 20" x 8.5" (50.8 cm x 21.6 cm) front and 20" x 9.5" (50.8 cm x 24.1 cm) rear bright 5-spoke Silver-painted aluminum | -- | -- | -- | -- | -- | S | S | -- |
| | RTQ | Wheels , 20" x 10" (50.8 cm x 25.4 cm) front and 20" x 11" (50.8 cm x 27.9 cm) rear Dark Graphite premium paint, forged aluminum | -- | -- | -- | -- | -- | -- | -- | S |
| F55 | | Magnetic Ride Control 1 - Deleted when (A1Z) ZL1 1LE Extreme Track Performance Package is ordered. | -- | -- | -- | -- | -- | A | A | S ¹ |
| | GW6 | Rear axle , 3.27 ratio | S | S | S | S | -- | -- | -- | -- |
| | GT4 | Rear axle , 3.73 ratio 1 - Included with (MN6) 6-speed manual transmission. | -- | -- | -- | -- | S ¹ | S ¹ | S ¹ | S ¹ |
| | | Wipers , front variable-speed, intermittent with washers | S | S | S | S | S | S | S | S |
| | | Rear wheel drive | S | S | S | S | S | S | S | S |
| | | StabiliTrak , stability control system with brake assist, includes traction control | S | S | S | S | S | S | S | S |
| | NV9 | Steering , power, variable ratio, electric | S | S | S | S | S | S | S | S |
| | FE2 | Suspension , Sport | S | S | S | S | -- | -- | -- | -- |
| | FE3 | Suspension , Performance 1 - Included and only available with (A1X) 1LE Track Performance Package. | -- | A ¹ | A ¹ | A ¹ | S | S | S | -- |

| Free Flow RPO Code | Ref. Only RPO Code | Description | 1LS Coupe 1AG37 | 1LT Coupe 1AG37 | 2LT Coupe 1AH37 | 3LT Coupe 1AH37 | LT1 Coupe 1AJ37 | 1SS Coupe 1AJ37 | 2SS Coupe 1AK37 | ZL1 Coupe 1AL37 |
|-----------------------------|-----------------------------|-------------------------------------------------------------------------------------------------------------------|-----------------------|-----------------------|-----------------------|-----------------------|-----------------------|-----------------------|-----------------------|-----------------------|
| | | | 1LS | 1LT | 2LT | 3LT | 1LZ | 1SS | 2SS | 1SE |
| | FE4 | Suspension, Performance 1 - Included and only available with (A1Y) SS 1LE Track Performance Package. | -- | -- | -- | -- | -- | A ¹ | A ¹ | S |
| | MN6 | Transmission, 6-speed manual 1 - Includes Active Rev Matching. | S | S | S | S | S ¹ | S ¹ | S ¹ | S ¹ |

S = Standard Equipment A = Available --(dashes) = Not Available D = ADI Available

■ = Included in Equipment Group □ = Included in Equipment Group but upgradeable

Codes listed in the shaded column titled Ref. Only RPO Code are for internal use only and should not be ordered.

| Free Flow RPO Code | Ref. RPO Code | Description | 1LT | 2LT | 3LT | LT1 | 1SS | 2SS | ZL1 |
|--------------------|---------------|------------------------------------------------------------------------------------------------------------------------------------------------------------------------------------------------------------------------------------------------------------------------------------------------------------------------------------------------------------------------------------------------------------------------------------------------------------------------------|----------------|----------------|----------------|----------------|----------------|----------------|----------------|
| | | | Convertible | Convertible | Convertible | Convertible | Convertible | Convertible | Convertible |
| | | | 1AG67 | 1AH67 | 1AH67 | 1AJ67 | 1AJ67 | 1AK67 | 1AL67 |
| | | | 1LT | 2LT | 3LT | 1LZ | 1SS | 2SS | 1SE |
| | AJ9 | Airbags , dual-stage frontal, knee, head and thorax side-impact, driver and front passenger, includes Passenger Sensing System 1 - Always use seat belts and child restraints. Children are safer when properly secured in a rear seat in the appropriate child restraint. See the Owner's Manual for more information. | S ¹ | S ¹ | S ¹ | S ¹ | S ¹ | S ¹ | S ¹ |
| | C68 | Air conditioning , single-zone automatic climate control | S | -- | -- | S | S | -- | -- |
| | CJ2 | Air conditioning , dual-zone automatic climate control with individual climate settings for driver and dedicated passenger controls and outside temperature display | -- | S | S | -- | -- | S | S |
| | IOR | Audio system , Chevrolet Infotainment 3 system, 7" diagonal color touchscreen, AM/FM stereo. Additional features for compatible phones include: Bluetooth audio streaming for 2 active devices, voice command pass-through to phone, Apple CarPlay and Android Auto capable. | S | S | -- | S | -- | -- | -- |
| | IOS | Audio system , Chevrolet Infotainment 3 Plus system, 8" diagonal HD color touchscreen, AM/FM stereo, Bluetooth audio streaming for 2 active devices, Apple CarPlay and Android Auto capable, voice recognition, in-vehicle apps, cloud connected personalization for select infotainment and vehicle settings. Subscription required for enhanced and connected services after trial period. 1 - Included and only available with (Y3W) Technology Package. | A ¹ | A ¹ | S | A ¹ | S | S | S |

| Free Flow RPO Code | Ref. Only RPO Code | Description | 1LT | 2LT | 3LT | LT1 | 1SS | 2SS | ZL1 |
|--------------------|--------------------|---------------------------------------------------------------------------------------------------------------------------------------------------------------------------------------------------------------------------------------------------------------------------------------------------------------------------------------------------------------------------------------------------------------------------------------------------------------------------------------------------------------------------------------------------------------------------------------------------------------------------------------------------------------------------------------------------------------------------------------------------------------------------------------------------------------------------------------------------------------------------------------------------------------------------------------------------------------------------------------|----------------|----------------|-------------|----------------|-------------|-------------|-------------|
| | | | Convertible | Convertible | Convertible | Convertible | Convertible | Convertible | Convertible |
| | | | 1AG67 | 1AH67 | 1AH67 | 1AJ67 | 1AJ67 | 1AK67 | 1AL67 |
| | | | 1LT | 2LT | 3LT | 1LZ | 1SS | 2SS | 1SE |
| | U2K | <p>SiriusXM Radio, enjoy a 12-month All Access trial subscription with over 150 channels including commercial-free music, plus sports, news and entertainment. Plus listening on the SiriusXM app, online and at home on compatible connected devices is included, so you'll hear the best SiriusXM has to offer, anywhere life takes you. Welcome to the world of SiriusXM.</p> <p>1 - IMPORTANT: The SiriusXM radio trial package is not provided on vehicles that are ordered for Fleet Daily Rental ("FDR") use. If you decide to continue service after your trial, the subscription plan you choose will automatically renew thereafter and you will be charged according to your chosen payment method at then-current rates. Fees and taxes apply. See the SiriusXM Customer Agreement at www.siriusxm.com for complete terms and how to cancel. All fees, content, features, and availability are subject to change.</p> | S ¹ | S ¹ | -- | S ¹ | -- | -- | -- |

| Free Flow RPO Code | Ref. Only RPO Code | Description | 1LT | 2LT | 3LT | LT1 | 1SS | 2SS | ZL1 |
|--------------------|--------------------|---------------------------------------------------------------------------------------------------------------------------------------------------------------------------------------------------------------------------------------------------------------------------------------------------------------------------------------------------------------------------------------------------------------------------------------------------------------------------------------------------------------------------------------------------------------------------------------------------------------------------------------------------------------------------------------------------------------------------------------------------------------------------------------------------------------------------------------------------------------------------------------------------------------------------------------------------------------------------------------------------------------------------------------------------------------------------------------------------------------------------------------------------------------------------------------------------------------------------------------------------------------------------------------------------------------------------------------------------------------------------------------------------------------------------------------------------------------------------------------------------------------------------------------------------------------------------------------------------------------------------------------------------------------------------------------------------------------------------------------------------------------------------------------------------------------------------------------------------------------------------------------------------------------------------------------------------------------------------------------------------------------------------------------------------------------------------------------------------------------------------------------------------------------|----------------------|----------------------|----------------------|----------------------|----------------------|----------------------|----------------------|
| | | | Convertible 1AG67 | Convertible 1AH67 | Convertible 1AH67 | Convertible 1AJ67 | Convertible 1AJ67 | Convertible 1AK67 | Convertible 1AL67 |
| | | | 1LT | 2LT | 3LT | 1LZ | 1SS | 2SS | 1SE |
| | | <p>SiriusXM with 360L, Equipped with SiriusXM with 360L. Enjoy a 12-month trial subscription of the All Access package for the full 360L experience, with a greater variety of SiriusXM content, a more personalized experience and easier navigation. With the All Access package, you can also enjoy your favorites everywhere you go, with the SiriusXM app, online and at home on compatible connected devices.</p> <p>1 - Included and only available with (IOS) Chevrolet Infotainment 3 Plus system. IMPORTANT: The SiriusXM radio trial package is not provided on vehicles that are ordered for Fleet Daily Rental ("FDR") use. If you decide to continue service after your trial, the subscription plan you choose will automatically renew thereafter and you will be charged according to your chosen payment method at then-current rates. Fees and taxes apply. See the SiriusXM Customer Agreement at www.siriusxm.com for complete terms and how to cancel. All fees, content, features, and availability are subject to change. GM connected vehicle services vary by vehicle model and require active service plan, working electrical system, cell reception and GPS signal. See onstar.com for details and limitations.</p> <p>2 - IMPORTANT: The SiriusXM radio trial package is not provided on vehicles that are ordered for Fleet Daily Rental ("FDR") use. If you decide to continue service after your trial, the subscription plan you choose will automatically renew thereafter and you will be charged according to your chosen payment method at then-current rates. Fees and taxes apply. See the SiriusXM Customer Agreement at www.siriusxm.com for complete terms and how to cancel. All fees, content, features, and availability are subject to change. GM connected vehicle services vary by vehicle model and require active service plan, working electrical system, cell reception and GPS signal. See onstar.com for details and limitations.</p> | A ¹ | A ¹ | S ² | A ¹ | S ² | S ² | S ² |
| | UQ3 | Audio system feature , 6-speaker system | S | S | -- | S | S | -- | -- |
| | UQA | Audio system feature , Bose premium 7-speaker system 1 - Included and only available with (Y3W) Technology Package. | A ¹ | A ¹ | S | A ¹ | -- | S | S |
| | UPG | Bluetooth for phone | S | S | S | S | S | S | S |
| | | Compass display | S | S | S | S | S | S | S |
| | | Cruise control , electronic with set and resume speed, steering wheel mounted | S | S | S | S | S | S | S |

| Free Flow RPO Code | Ref. Only RPO Code | Description | 1LT | 2LT | 3LT | LT1 | 1SS | 2SS | ZL1 |
|--------------------|--------------------|---------------------------------------------------------------------------------------------------------------------------------------------------------------------------------------------------------------------------------------------------------------|----------------|----------------|----------------|----------------|----------------|----------------|----------------|
| | | | Convertible | Convertible | Convertible | Convertible | Convertible | Convertible | Convertible |
| | | | 1AG67 | 1AH67 | 1AH67 | 1AJ67 | 1AJ67 | 1AK67 | 1AL67 |
| | | | 1LT | 2LT | 3LT | 1LZ | 1SS | 2SS | 1SE |
| | | Cup holders , 2 front | S | S | S | S | S | S | S |
| | | Dead pedal , driver | S | S | S | S | S | S | S |
| | | Defogger , rear-window, electric | S | S | S | S | S | S | S |
| | | Door locks , power programmable with lockout protection | S | S | S | S | S | S | S |
| | UDD | Driver Information Center , color display | S | S | -- | S | -- | -- | -- |
| | UHS | Driver Information Center , enhanced, 8" diagonal multi-color re-configurable display | -- | -- | S | -- | S | S | S |
| | B34 | Floor mats , carpeted front | S | S | S | S | S | S | S |
| | | Glovebox , lockable | S | S | S | S | S | S | S |
| | UV6 | Head-Up Display , with color digital readouts for vehicle speed, selected gear, G-Force, audio system information, high-beam indicator, compass, outside air temperature, tachometer, vehicle messages, Turn-by-Turn information and phone information | -- | -- | S | -- | -- | S | S |
| | | Interior trim , aluminum accents on door trim and shifter cap | -- | -- | S | -- | -- | S | S |
| | ATH | Keyless Open and Start , includes 2 remote transmitters that enable automatic door unlock and open by touching door switch | S | S | S | S | S | S | S |
| | | LATCH system (Lower Anchors and Tethers for CHildren), for child restraint seats | S | S | S | S | S | S | S |
| | | Lighting , front reading lamps | S | S | S | S | S | S | S |
| | C70 | Lighting , interior spectrum, 24 different color selections | -- | -- | S | -- | -- | S | S |
| | A45 | Memory Package , recalls 2 driver "presets" for 8-way power driver seat and outside mirrors | -- | -- | S | -- | -- | S | S |
| | D31 | Mirror , inside rearview manual day/night, frameless | S | S | -- | S | S | -- | -- |
| | DRZ | Rear Camera Mirror | -- | -- | S | -- | -- | S | S |
| | UE1 | OnStar and Chevrolet connected services capable 1 - Terms and limitations apply. See onstar.com or dealer for details. | S ¹ | S ¹ | S ¹ | S ¹ | S ¹ | S ¹ | S ¹ |
| | VV4 | 4G LTE Wi-Fi Hotspot capable 1 - Terms and limitations apply. See onstar.com or dealer for details. | S ¹ | S ¹ | S ¹ | S ¹ | S ¹ | S ¹ | S ¹ |

| Free Flow RPO Code | Ref. Only RPO Code | Description | 1LT | 2LT | 3LT | LT1 | 1SS | 2SS | ZL1 |
|--------------------|--------------------|------------------------------------------------------------------------------------------------------------------------------------|----------------|----------------|----------------|----------------|----------------|----------------|----------------|
| | | | Convertible | Convertible | Convertible | Convertible | Convertible | Convertible | Convertible |
| | | | 1AG67 | 1AH67 | 1AH67 | 1AJ67 | 1AJ67 | 1AK67 | 1AL67 |
| | | | 1LT | 2LT | 3LT | 1LZ | 1SS | 2SS | 1SE |
| | | Chevrolet Connected Access capable 1 - Subject to terms. See onstar.com or dealer for details. | S ¹ | S ¹ | S ¹ | S ¹ | S ¹ | S ¹ | S ¹ |
| JF5 | | Pedals , sport alloy | A | A | A | A | A | A | S |
| | UVB | HD Rear Vision Camera 1 - Rear Vision Camera display is not HD with IOR audio system. | S ¹ | S ¹ | S | S ¹ | S | S | S |
| | | Seat belts , 3-point, all positions, includes front seat driver and front passenger seat belt pretensioners | S | S | S | S | S | S | S |
| | A50 | Seats , front Sport bucket | S | S | S | S | S | S | -- |
| AQJ | | Seats , front bucket, RECARO performance 1 - Requires (H1T/H0Y) Jet Black interior trim. | A ¹ | A ¹ | A ¹ | A ¹ | A ¹ | A ¹ | S |
| | A62 | Seat , rear fixed | S | S | S | S | S | S | S |
| | KA1 | Seats , heated driver and front passenger | -- | S | S | -- | -- | S | S |
| | KQV | Seats , ventilated driver and front passenger | -- | S | S | -- | -- | S | S |
| | AV3 | Seat adjuster , driver, 8-way power | S | S | S | S | S | S | S |
| | AKQ | Seat adjuster , front passenger, 6-way power | S | S | S | S | S | S | S |
| | VY7 | Shift knob , leather-wrapped | S | S | S | S | S | S | -- |
| | KS9 | Shift knob , sueded microfiber-wrapped 1 - Included and only available with (N26) sueded microfiber-wrapped steering wheel. | A ¹ | A ¹ | A ¹ | A ¹ | A ¹ | A ¹ | S |
| | B7G | Sill plates , illuminated | -- | -- | S | -- | -- | S | S |
| | UMN | Speedometer , miles/kilometers | S | S | S | S | S | S | S |
| | | Steering column , manual rake and telescopic | S | S | S | S | S | S | S |
| | NP5 | Steering wheel , leather-wrapped, flat-bottom | S | S | S | S | S | S | -- |
| N26 | | Steering wheel , 3-spoke, sueded microfiber-wrapped, flat-bottom 1 - Requires (MX0) automatic transmission. | A | A | A | A ¹ | A | A | S |
| | UVD | Steering wheel , heated | -- | -- | S | -- | -- | S | S |

| Free Flow RPO Code | Ref. Only RPO Code | Description | 1LT | 2LT | 3LT | LT1 | 1SS | 2SS | ZL1 |
|--------------------|--------------------|----------------------------------------------------------------------------------------------------------------------------------------------------------------------------------------------------------------------------------------------------------------------------------------------------------------------------------------------------------------------------------------------------------|----------------|----------------|----------------|----------------|----------------|----------------|----------------|
| | | | Convertible | Convertible | Convertible | Convertible | Convertible | Convertible | Convertible |
| | | | 1AG67 | 1AH67 | 1AH67 | 1AJ67 | 1AJ67 | 1AK67 | 1AL67 |
| | | | 1LT | 2LT | 3LT | 1LZ | 1SS | 2SS | 1SE |
| | TDM | Teen Driver , a configurable feature that lets you activate customizable vehicle settings associated with a key fob, to help encourage safe driving behavior. It can limit certain available vehicle features, and it prevents certain safety systems from being turned off. An in-vehicle report card gives you information on driving habits and helps you to continue to coach your new driver | S | S | S | S | S | S | S |
| | | Theft-deterrent system , electrical, unauthorized entry | S | S | S | S | S | S | S |
| | | Tire Fill Alert | S | S | S | S | S | S | S |
| | | Tire Pressure Monitor System | S | S | S | S | S | S | S |
| | | Trunk emergency release handle | S | S | S | S | S | S | S |
| | | Trunk release , power | S | S | S | S | S | S | S |
| | | Visors , driver and front passenger vanity mirrors | S | S | S | S | S | S | S |
| | | Windows , power with driver and passenger Express-Down/Up | S | S | S | S | S | S | S |
| | K4C | Wireless Charging for devices | -- | -- | S | -- | -- | S | S |
| | PPW | NEW! Wireless Apple CarPlay/Wireless Android Auto | S | S | S | S | S | S | S |
| | UB3 | Antenna , AM/FM, located in rear spoiler | S | S | S | S | S | S | S |
| | | Antenna , OnStar and SiriusXM Radio, fin-type 1 - Body-color. | S ¹ | S ¹ | S ¹ | S ¹ | S ¹ | S ¹ | S ¹ |
| | | Bowties , Black, front and rear 1 - Included and only available with (WRS) RS Package. | A ¹ | A ¹ | A ¹ | S | S | S | S |
| | CM8 | Convertible top , power-folding, remote control (down only), includes glass rear window with integral defogger | S | S | S | S | S | S | S |
| | | Daytime Running Lamps , LED | S | S | S | S | S | S | S |
| | | Fueling system , capless | S | S | S | S | S | S | S |
| | UKC | Lane Change Alert with Side Blind Zone Alert | -- | -- | S | -- | -- | S | S |
| | | Battery rundown protection | S | S | S | S | S | S | S |
| | | Brake , parking, electric | S | S | S | S | S | S | S |
| | JL9 | Brakes , 4-wheel antilock, 4-wheel disc | S | S | S | -- | -- | -- | -- |

| Free Flow RPO Code | Ref. Only RPO Code | Description | 1LT | 2LT | 3LT | LT1 | 1SS | 2SS | ZL1 |
|--------------------|--------------------|-----------------------------------------------------------------------------------------------------------------------------------------------------------------------------------------|----------------|----------------|----------------|----------------|----------------|----------------|-------------|
| | | | Convertible | Convertible | Convertible | Convertible | Convertible | Convertible | Convertible |
| | | | 1AG67 | 1AH67 | 1AH67 | 1AJ67 | 1AJ67 | 1AK67 | 1AL67 |
| | | | 1LT | 2LT | 3LT | 1LZ | 1SS | 2SS | 1SE |
| | J55 | Brakes , Brembo 4-piston front, performance, 4-wheel antilock, 4-wheel disc 1 - Included and only available with (J6F) Red-painted calipers or (J6L) Orange-painted calipers. | A ¹ | A ¹ | A ¹ | S | -- | -- | -- |
| | DG7 | Mirrors , outside power-adjustable, body-color | S | S | -- | S | S | -- | -- |
| | J6G | Brakes , Brembo 4-piston front and rear, performance, 4-wheel antilock, 4-wheel disc | -- | -- | -- | -- | S | S | -- |
| | DD1 | Mirrors , outside heated power-adjustable and driver-side auto-dimming, body-color | -- | -- | S | -- | -- | S | S |
| | J6H | Brakes , Brembo 6-piston front and 4-piston rear, performance, 4-wheel antilock, 4-wheel disc | -- | -- | -- | -- | -- | -- | S |
| | UFG | Rear Cross Traffic Alert | -- | -- | S | -- | -- | S | S |
| | UD7 | Rear Park Assist | -- | -- | S | -- | -- | S | S |
| | D5Z | Spoiler , rear, stanchion | S | S | S | S | S | S | S |
| | KC4 | Cooling , external engine oil cooler | -- | -- | -- | S | S | S | S |
| | V03 | Cooling system , extra capacity | -- | -- | -- | -- | S | S | S |
| | V18 | Cooler , engine coolant, auxiliary | -- | -- | -- | -- | -- | -- | S |
| | KNR | Cooler , rear differential | -- | -- | -- | -- | -- | -- | S |
| | KD1 | Cooler , transmission oil 1 - Included and only available with (MX0) automatic transmission. | -- | -- | -- | -- | A ¹ | A ¹ | S |
| | G80 | Differential , limited slip 1 - Deleted when (MX0) automatic transmission is ordered. | S ¹ | S ¹ | S ¹ | S | S | S | S |
| | | Driver Selector Mode , up to 4 modes available for various driving conditions - Snow/Ice, Tour, Sport and Track (SS and ZL1 models only) | S | S | S | S | S | S | S |
| | | Tail lamps , dark tint 1 - Included and only available with (WRS) RS Package. | A ¹ | A ¹ | A ¹ | A ¹ | S | S | S |
| | LTG | Engine , 2.0L Turbo, 4-cylinder, SIDI, VVT (275 hp [205 kW] @ 5600 rpm, 295 lb-ft of torque [398.3 N-m] @ 3000-4500 rpm) | S | S | S | -- | -- | -- | -- |
| | KTI | Tire inflation kit 1 - Included and only available with (R0H) 245/50R18, blackwall, all-season tires. | A ¹ | A ¹ | A ¹ | -- | -- | -- | S |

| Free Flow RPO Code | Ref. Only RPO Code | Description | 1LT | 2LT | 3LT | LT1 | 1SS | 2SS | ZL1 |
|--------------------|--------------------|--------------------------------------------------------------------------------------------------------------------------------------------------------------------------------------------------------------------------------------------------------------------------------------------------------------------------------------------------------------------------------------------------------------------------------------------------------------------------------------------------------------------------------------------------|----------------|----------------|----------------|-------------|----------------|----------------|----------------|
| | | | Convertible | Convertible | Convertible | Convertible | Convertible | Convertible | Convertible |
| | | | 1AG67 | 1AH67 | 1AH67 | 1AJ67 | 1AJ67 | 1AK67 | 1AL67 |
| | | | 1LT | 2LT | 3LT | 1LZ | 1SS | 2SS | 1SE |
| | LT1 | Engine , 6.2L (376 ci) V8 DI, VVT (455 hp [339.3 kW] @ 6000 rpm, 455 lb-ft of torque [614.3 N-m] @ 4400 rpm) | -- | -- | -- | S | S | S | -- |
| | R0H | Tires , 245/50R18, blackwall, all-season, includes (KTI) tire inflator kit | S | S | S | -- | -- | -- | -- |
| | LT4 | Engine , 6.2L supercharged V8 DI, VVT (650 hp [485 kW] @ 6400 rpm, 650 lb-ft torque [881N-m] @ 3600 rpm) | -- | -- | -- | -- | -- | -- | S |
| | R0F | Tires , 245/40ZR20 front and 275/35ZR20 rear, blackwall, summer-only, run-flat 1 - Do not use summer only tires in winter conditions, as it would adversely affect vehicle safety, performance and durability. Use only GM-approved tire and wheel combinations. Unapproved combinations may change the vehicle's performance characteristics. For important tire and wheel information, go to https://my.chevrolet.com/learnAbout/chevrolettires or see your dealer. | -- | -- | -- | -- | S ¹ | S ¹ | -- |
| | R0G | Tires , 285/30R20 front and 305/30R20 rear, blackwall, summer-only 1 - Do not use summer only tires in winter conditions, as it would adversely affect vehicle safety, performance and durability. Use only GM-approved tire and wheel combinations. Unapproved combinations may change the vehicle's performance characteristics. For important tire and wheel information, go to https://my.chevrolet.com/learnAbout/chevrolettires or see your dealer. | -- | -- | -- | -- | -- | -- | S ¹ |
| | | Engine air filter life monitor | S | S | S | -- | -- | -- | -- |
| | R29 | Tires , 245/40R20, blackwall, all-season, run-flat 1 - Included and only available with (RTJ/RTH/RQ9/WR1/SRI/5K9) 20" wheels. | A ¹ | A ¹ | A ¹ | S | -- | -- | -- |
| | N10 | Exhaust , dual-outlet stainless-steel, with bright tips | S | S | S | S | S | S | -- |
| | NPP | Exhaust , dual-mode 1 - Requires (LGX) 3.6L V6 engine. | A ¹ | A ¹ | A ¹ | A | A | A | S |
| | XLC | Launch control , custom 1 - Included and only available with (MX0) automatic transmission. | -- | -- | -- | -- | A ¹ | A ¹ | S |
| | REG | Wheels , 18" (45.7 cm) Silver-painted aluminum | S | S | S | -- | -- | -- | -- |
| | RQA | Wheels , 20" (50.8 cm) Silver-painted aluminum | -- | -- | -- | S | -- | -- | -- |

| Free Flow RPO Code | Ref. Only RPO Code | Description | 1LT | 2LT | 3LT | LT1 | 1SS | 2SS | ZL1 |
|--------------------|--------------------|-----------------------------------------------------------------------------------------------------------------------------------------|-------------|-------------|-------------|----------------|----------------|----------------|----------------|
| | | | Convertible | Convertible | Convertible | Convertible | Convertible | Convertible | Convertible |
| | | | 1AG67 | 1AH67 | 1AH67 | 1AJ67 | 1AJ67 | 1AK67 | 1AL67 |
| | | | 1LT | 2LT | 3LT | 1LZ | 1SS | 2SS | 1SE |
| | 56S | Wheels , 20" x 8.5" (50.8 cm x 21.6 cm) front and 20" x 9.5" (50.8 cm x 24.1 cm) rear bright 5-spoke Silver-painted aluminum | -- | -- | -- | -- | S | S | -- |
| | RTQ | Wheels , 20" x 10" (50.8 cm x 25.4 cm) front and 20" x 11" (50.8 cm x 27.9 cm) rear Dark Graphite premium paint, forged aluminum | -- | -- | -- | -- | -- | -- | S |
| F55 | | Magnetic Ride Control | -- | -- | -- | -- | A | A | S |
| | GW6 | Rear axle , 3.27 ratio | S | S | S | -- | -- | -- | -- |
| | GT4 | Rear axle , 3.73 ratio 1 - Included with (MN6) 6-speed manual transmission. | -- | -- | -- | S ¹ | S ¹ | S ¹ | S ¹ |
| | | Wipers , front variable-speed, intermittent with washers | S | S | S | S | S | S | S |
| | | Rear wheel drive | S | S | S | S | S | S | S |
| | | StabiliTrak , stability control system with brake assist, includes traction control | S | S | S | S | S | S | S |
| | NV9 | Steering , power, variable ratio, electric | S | S | S | S | S | S | S |
| | FE2 | Suspension , Sport | S | S | S | -- | -- | -- | -- |
| | FE3 | Suspension , Performance | -- | -- | -- | S | S | S | -- |
| | FE4 | Suspension , Performance | -- | -- | -- | -- | -- | -- | S |
| | MN6 | Transmission , 6-speed manual 1 - Includes Active Rev Matching. | S | S | S | S ¹ | S ¹ | S ¹ | S ¹ |

S = Standard Equipment A = Available --(dashes) = Not Available D = ADI Available

■ = Included in Equipment Group □ = Included in Equipment Group but upgradeable

No deletions allowed to Equipment Groups. Additional options may be added; check ordering information section for compatibility

Codes listed in the shaded column titled Ref. Only RPO Code are for internal use only and should not be ordered.

| Free Flow RPO Code | Ref. Only RPO Code | Description | 1LS Coupe 1AG37 | 1LT Coupe 1AG37 | 2LT Coupe 1AH37 | 3LT Coupe 1AH37 | LT1 Coupe 1AJ37 | 1SS Coupe 1AJ37 | 2SS Coupe 1AK37 | ZL1 Coupe 1AL37 |
|--------------------|--------------------|--------------------|-----------------|-----------------|-----------------|-----------------|-----------------|-----------------|-----------------|-----------------|
| | | | 1LS | 1LT | 2LT | 3LT | 1LZ | 1SS | 2SS | 1SE |
| | | Standard Equipment | ■ | ■ | ■ | ■ | ■ | ■ | ■ | ■ |

| ADDITIONAL OPTIONS | | | | | | | | | | |
|--------------------|--------------------|-----------------------------------------------------------------------------------------------------------------------------------------------------------------------------------------------------------------------------------------------------------------------------------------------------------------------------------------------------------------------------------------------------------------------------------------------------------------|------------------|------------------|------------------|------------------|-----------------|------------------|------------------|-----------------|
| Free Flow RPO Code | Ref. Only RPO Code | Description | 1LS Coupe 1AG37 | 1LT Coupe 1AG37 | 2LT Coupe 1AH37 | 3LT Coupe 1AH37 | LT1 Coupe 1AJ37 | 1SS Coupe 1AJ37 | 2SS Coupe 1AK37 | ZL1 Coupe 1AL37 |
| | | | 1LS | 1LT | 2LT | 3LT | 1LZ | 1SS | 2SS | 1SE |
| Y3W | | Technology Package , includes (IOS) Chevrolet Infotainment 3 Plus system, 8" diagonal HD color touchscreen and (UQA) Bose premium speaker system | -- | A | A | -- | A | -- | -- | -- |
| IOT | | Audio system , Chevrolet Infotainment 3 Premium system with connected Navigation, 8" diagonal HD color touchscreen, AM/FM stereo, Bluetooth audio streaming for 2 active devices, Apple CarPlay and Android Auto capable, enhanced voice recognition, additional memory for in-vehicle apps, cloud connected personalization for select infotainment and vehicle settings. Subscription required for enhanced and connected services after trial period. | -- | -- | -- | A | -- | -- | A | A |
| BRJ | | Adrenaline Red Interior Package , includes Black interior with Adrenaline Red front seat inserts, door inserts and stitching on front seats, doors, steering wheel, shifter and center console 1 - Not available with exterior color (G16) Crush, (GKK) Riverside Blue Metallic or (GKO) Shock. | -- | -- | A ¹ | A ¹ | -- | -- | A ¹ | -- |
| BRD | | Ceramic White Interior Package , includes Black interior with Ceramic White front seat inserts, door inserts and stitching on front seats, doors, steering wheel, shifter and center console | -- | -- | A | A | -- | -- | A | -- |
| 3DL | | Interior trim , carbon fiber instrument panel molding | -- | -- | -- | -- | -- | -- | -- | A |
| 2F5 | | Knee pads, Red 1 - Not available with (H01) Kalahari interior. | -- | A | A ¹ | A ¹ | A | A | A ¹ | A |
| 5V6 | | LPO, Black Interior Appearance Package , includes (WGT) Black Interior Trim Kit, door accent trim, LPO and (S0U) Black sueded knee pads, LPO | A/D | A/D | A/D | -- | A/D | A/D | -- | -- |
| PCX | | LPO, Camaro Logo Package , includes (SH1) Embroidered center console lid with Camaro badge, LPO, (VYW) premium carpeted floor mats with Camaro logo, LPO and (RIN) Camaro logo fender badge, LPO 1 - Not available with CG3, PCN, SFZ, SH2, VTF. 2 - Not available with CG3, PCN, SFZ, SH2, VTF. 3 - Not available with BRJ, CG3, H01, PCN, SFZ, SH2, VTF. | A/D ¹ | A/D ² | A/D ³ | A/D ³ | -- | A/D ² | A/D ³ | -- |

| ADDITIONAL OPTIONS | | | | | | | | | | |
|--------------------|--------------------|--------------------------------------------------------------------------------------------------------------------------------------------------------------------------------------------------------------------------------------------------------------------------------------------------------------------------------------------|------------------|------------------|------------------|------------------|------------------|------------------|------------------|-----------------|
| Free Flow RPO Code | Ref. Only RPO Code | Description | 1LS Coupe 1AG37 | 1LT Coupe 1AG37 | 2LT Coupe 1AH37 | 3LT Coupe 1AH37 | LT1 Coupe 1AJ37 | 1SS Coupe 1AJ37 | 2SS Coupe 1AK37 | ZL1 Coupe 1AL37 |
| | | | 1LS | 1LT | 2LT | 3LT | 1LZ | 1SS | 2SS | 1SE |
| PCN | | LPO, Winter/Summer Floor Mats Package , includes (VYW) Premium carpeted floor mats, LPO and (VAV) All-weather floor mats, LPO 1 - Not available with PCX, VQG. 2 - Not available with H01, PCX, VQG. 3 - Not available with (VQG) Weather Protection Package, LPO. | A/D ¹ | A/D ¹ | A/D ² | A/D ² | A/D ³ | A/D ¹ | A/D ² | -- |
| VQG | | LPO, Weather Protection Package , includes (VAV) All-weather floor mats, LPO, (VLI) All-weather cargo mat and (VRV) Body-color painted splash guards, LPO 1 - Not available with (5VM/VTD) Ground Effects Package, LPOs or exterior color (G16) Crush. | A/D ¹ | A/D ¹ | A/D ¹ | A/D ¹ | A/D ¹ | A/D ¹ | A/D ¹ | -- |
| PDX | | LPO, ZL1 Protection Package , includes (W1V) Premium carpeted floor mats with ZL1 logo, LPO and (VGS) Outdoor vehicle cover, Gray with ZL1 logo, LPO | -- | -- | -- | -- | -- | -- | -- | A/D |
| VLI | | LPO, All-weather cargo mat with Camaro logo | A/D | A/D | A/D | A/D | A/D | A/D | A/D | A/D |
| W2D | | LPO, Cargo net | A/D | A/D | A/D | A/D | A/D | A/D | A/D | A/D |
| SH1 | | LPO, Embroidered center console lid with Camaro badge 1 - Not available with (H01) Kalahari interior or (BRJ) Adrenaline Red Interior Accent Trim Package. | A/D | A/D | A/D ¹ | A/D ¹ | A/D | A/D | A/D ¹ | -- |
| VTF | | LPO, Embroidered center console lid with RS or SS logo 1 - Requires (WRS) RS Package. 2 - Requires (WRS) RS Package. Not available with (H01) Kalahari interior or (BRJ) Adrenaline Red Interior Accent Trim Package. 3 - Not available with (H01) Kalahari interior or (BRJ) Adrenaline Red Interior Accent Trim Package. | -- | A/D ¹ | A/D ² | A/D ² | -- | A/D | A/D ³ | -- |
| SH2 | | LPO, Embroidered center console lid , Chevrolet Performance logo 1 - Not available with (SH1) Embroidered center console lid with Camaro badge, LPO. 2 - Not available with SH1, VTF. 3 - Not available with H01, SH1, VTF. | A/D ¹ | A/D ² | A/D ³ | A/D ³ | A/D ¹ | A/D ² | A/D ³ | A/D |

| ADDITIONAL OPTIONS | | | | | | | | | | |
|--------------------|--------------------|-------------------------------------------------------------------------------------------------------------------------------------------------------------------------------------------------------------------|------------------|------------------|------------------|------------------|------------------|------------------|------------------|-----------------|
| Free Flow RPO Code | Ref. Only RPO Code | Description | 1LS Coupe 1AG37 | 1LT Coupe 1AG37 | 2LT Coupe 1AH37 | 3LT Coupe 1AH37 | LT1 Coupe 1AJ37 | 1SS Coupe 1AJ37 | 2SS Coupe 1AK37 | ZL1 Coupe 1AL37 |
| | | | 1LS | 1LT | 2LT | 3LT | 1LZ | 1SS | 2SS | 1SE |
| VYW | | LPO, Floor mats , premium carpeted with Camaro logo 1 - Not available with (H01) Kalahari interior. | A/D | A/D | A/D ¹ | A/D ¹ | A/D | A/D | A/D ¹ | -- |
| W1V | | LPO, Floor mats , premium carpeted with ZL1 logo | -- | -- | -- | -- | -- | -- | -- | A/D |
| VAV | | LPO, All-weather floor mats | A/D | A/D | A/D | A/D | A/D | A/D | A/D | A/D |
| S0O | | LPO, Illuminated footwells | -- | -- | -- | A/D | -- | -- | A/D | -- |
| WGT | | LPO, Black Interior Trim Kit , door accent trim | A/D | A/D | A/D | -- | A/D | A/D | -- | -- |
| WGK | | LPO, Red Interior Trim Kit , door accent trim 1 - Not available with (H01) Kalahari interior or (BRJ) Adrenaline Red Interior Accent Trim Package. | A/D | A/D | A/D ¹ | -- | A/D | A/D | -- | -- |
| VTG | | LPO, White Interior Trim Kit , door accent trim 1 - Not available with (H01) Kalahari interior. | A/D | A/D | A/D ¹ | -- | A/D | A/D | -- | -- |
| S0U | | LPO, Black sueded knee pads | A/D | A/D | A/D | A/D | A/D | A/D | A/D | -- |
| WGL | | LPO, Kalahari knee pads 1 - Not available with (H72/H17) Medium Ash Gray interior. 2 - Not available with (BRJ/BRD) Interior Accent Trim Packages or (H17) Medium Ash Gray interior. | A/D ¹ | A/D ¹ | A/D ² | A/D ² | A/D ¹ | A/D ¹ | A/D ² | -- |
| WHA | | LPO, Red knee pads 1 - Not available with (2F5) Red knee pads. 2 - Not available with (2F5) Red knee pads, (BRD) Ceramic White Interior Accent Trim Package or (H01) Kalahari leather interior trim. | A/D | A/D ¹ | A/D ² | A/D ² | A/D ¹ | A/D ¹ | A/D ² | -- |
| S0V | | LPO, White knee pads 1 - Not available with (BRJ) Adrenaline Red Interior Accent Trim Package or (H01) Kalahari interior. | A/D | A/D | A/D ¹ | A/D ¹ | A/D | A/D | A/D ¹ | -- |
| 5KP | | LPO, Illuminated sill plates | A/D | A/D | A/D | -- | A/D | A/D | -- | -- |
| VEB | | LPO, Sport pedals kit 1 - Not available with (JF5) sport alloy pedals. | A/D | A/D ¹ | A/D ¹ | A/D ¹ | A/D ¹ | A/D ¹ | A/D ¹ | -- |
| 5YN | | LPO, Carbon Fiber-look shift knob (auto) or Carbon Fiber-look shift knob medallion (manual) | A/D | A/D | A/D | A/D | A/D | A/D | A/D | A/D |

| ADDITIONAL OPTIONS | | | | | | | | | | |
|--------------------|--------------------|---------------------------------------------------------------------------------------------------------------------------------------------------------------------------------------------------------------------------------------------------------------------------------------------------------------------------------------------------------------------------------------------------------------------------------------------------------------------------------------------------------------------------------------------------------------------------------------------------------|------------------|------------------|------------------|------------------|------------------|------------------|------------------|-----------------|
| Free Flow RPO Code | Ref. Only RPO Code | Description | 1LS Coupe 1AG37 | 1LT Coupe 1AG37 | 2LT Coupe 1AH37 | 3LT Coupe 1AH37 | LT1 Coupe 1AJ37 | 1SS Coupe 1AJ37 | 2SS Coupe 1AK37 | ZL1 Coupe 1AL37 |
| | | | 1LS | 1LT | 2LT | 3LT | 1LZ | 1SS | 2SS | 1SE |
| SA7 | | LPO, Suede shift knob and boot kit 1 - Not available with (MX0) automatic transmission. 2 - Not available with (KS9) sueded microfiber-wrapped shift knob or (MX0) automatic transmission. | A/D ¹ | A/D ² | A/D ² | A/D ² | A/D ² | A/D ² | A/D ² | -- |
| JF5 | | Pedals , sport alloy | -- | A | A | A | A | A | A | S |
| UQT | | Performance data and video recorder 1 - Requires (A1X/A1Y) 1LE Track Performance Package. Deletes (UEU) Forward Collision Alert. 2 - Deletes (UEU) Forward Collision Alert. | -- | -- | -- | A ¹ | -- | A ¹ | A ¹ | A ² |
| 3F9 | | Seat belt color , Red | A | A | A | A | A | A | A | A |
| AQJ | | Seats , front bucket, RECARO performance 1 - Requires (H1T/H0Y) Jet Black interior trim. | -- | A ¹ | A ¹ | A ¹ | A ¹ | A ¹ | A ¹ | S |
| N26 | | Steering wheel , 3-spoke, sueded microfiber-wrapped, flat-bottom 1 - Requires (MX0) automatic transmission. | -- | A | A | A | A ¹ | A | A | S |
| CF5 | | Sunroof , power | -- | A | A | A | A | A | A | A |
| WBL | | Redline Edition , includes (SRI/58E) 20" Black-painted aluminum wheels with Red accents, (CG6) Black Camaro fender badge with Red outline, (VUP) Redline Edition graphics, LPO, (3F9) Red seat belt color, (2F5) Red knee pads and (VYW) Premium carpeted floor mats, LPO 1 - Requires (WRS) RS Package, (H1T/H0Y) Jet Black interior and exterior color (G9K) Satin Steel Metallic, (GAZ) Summit White or (GBA) Black. Not available with P3H, RO1, RO2, RZB. 2 - Requires (H1T/H0Y) Jet Black interior and exterior color (G9K) Satin Steel Metallic, (GAZ) Summit White or (GBA) Black. | -- | A ¹ | A ¹ | A ¹ | A ¹ | A ² | A ² | -- |
| WRS | | RS Package , includes dark tint LED tail lamps, RS-specific grilles, Black front and rear bowties, and (D80) decklid-mounted lip spoiler 1 - Also includes (RQ9) 20" 5-split spoke premium Gray-painted, machined-face aluminum wheels. Wheels are upgradeable to RTJ/RTH/WR1/5K9, or upgraded to package specific wheels. | -- | A ¹ | A ¹ | A ¹ | A | -- | -- | -- |

| ADDITIONAL OPTIONS | | | | | | | | | | |
|--------------------|--------------------|----------------------------------------------------------------------------------------------------------------------------------------------------------------------------------------------------------------------------------------------------------------------------------------------------------------------------------------------------------------------------------------------------------------------------------------------------------------------------------------------------------------------------------------------------------------------------------------------------------------------------------------------------------------------|-----------------|-----------------|-----------------|-----------------|-----------------|-----------------|-----------------|-----------------|
| Free Flow RPO Code | Ref. Only RPO Code | Description | 1LS Coupe 1AG37 | 1LT Coupe 1AG37 | 2LT Coupe 1AH37 | 3LT Coupe 1AH37 | LT1 Coupe 1AJ37 | 1SS Coupe 1AJ37 | 2SS Coupe 1AK37 | ZL1 Coupe 1AL37 |
| | | | 1LS | 1LT | 2LT | 3LT | 1LZ | 1SS | 2SS | 1SE |
| A9B | | Satin Black Appearance Package , includes Satin Black outside mirrors and rear spoiler 1 - Spoiler RPO is D80. 2 - Spoiler RPO is D5Z. | A ¹ | A ¹ | A ¹ | A ¹ | A ¹ | A ² | A ² | -- |
| PDL | | NEW! Wild Cherry Design Package 1 , includes (RY2) Black Metallic Hash Mark Stripes, LPO (5ZB) Camaro logo wheel center caps, LPO, (WR1/57W) 20" 5-split spoke polished forged wheels with Black star center cap and (VYW) premium carpeted floor mats with Camaro logo, LPO 1 - Also includes (CG3) Camaro fender badge emblem. Requires exterior color (GSK) Wild Cherry Tintcoat and (WRS) RS Package. Wheel RPO is WR1. 2 - Requires exterior color (GSK) Wild Cherry Tintcoat and (WRS) RS Package. Wheel RPO is WR1. 3 - Also includes (CG3) Camaro fender badge emblem. Requires exterior color (GSK) Wild Cherry Tintcoat. Wheel RPO is 57W. | -- | A ¹ | A ¹ | A ¹ | A ² | A ³ | A ³ | -- |
| PDN | | NEW! Wild Cherry Design Package 2 , includes (PDL) Wild Cherry Design Package 1, (S0U) Black sueded knee pads, LPO, (VQL) Fuel filler door in Black with visible carbon fiber insert, LPO, (VTD) Carbon Flash Metallic, second generation Ground Effects, LPO and (DUU/DUV/DW8) Center Stripe 1 - Requires exterior color (GSK) Wild Cherry Tintcoat and the selection of either (DUU) Black Center Stripe or (DUV) Silver Center Stripe. 2 - Requires exterior color (GSK) Wild Cherry Tintcoat and the selection of either (DW8) Black Metallic Center Stripe or (DUV) Silver Center Stripe. | -- | -- | A ¹ | A ¹ | -- | -- | A ² | -- |
| P3H | | Bowties , Black, front and rear 1 - Not available with (WRS) RS Package. | A | A ¹ | A ¹ | A ¹ | -- | -- | -- | -- |
| CG3 | | Emblem , Camaro fender badge 1 - Not available with (WBL) Redline Edition. | A | A ¹ | A ¹ | A ¹ | -- | A ¹ | A ¹ | -- |
| D88 | | 1LE Hash Mark Decal 1 - Requires (A1X/A1Y) 1LE Track Performance Package. | -- | A ¹ | A ¹ | A ¹ | -- | A ¹ | A ¹ | -- |
| CFW | | Hood insert , visible Carbon Fiber weave | -- | -- | -- | -- | -- | -- | -- | A |

| ADDITIONAL OPTIONS | | | | | | | | | | |
|--------------------|--------------------|--------------------------------------------------------------------------------------------------------------------------------------------------------------------------------------------------------------------------------------------------------------------------------------------------------------------------------------------------------------------------------------------------------------------------------------------------------------------------------------|--------------------|--------------------|--------------------|--------------------|--------------------|--------------------|--------------------|--------------------|
| Free Flow RPO Code | Ref. Only RPO Code | Description | 1LS Coupe 1AG37 | 1LT Coupe 1AG37 | 2LT Coupe 1AH37 | 3LT Coupe 1AH37 | LT1 Coupe 1AJ37 | 1SS Coupe 1AJ37 | 2SS Coupe 1AK37 | ZL1 Coupe 1AL37 |
| | | | 1LS | 1LT | 2LT | 3LT | 1LZ | 1SS | 2SS | 1SE |
| VK3 | | License plate bracket, front 1 - Will be forced on orders with ship-to states that require a front license plate. | A ¹ | A ¹ | A ¹ | A ¹ | A ¹ | A ¹ | A ¹ | A ¹ |
| PDY | | LPO, Body-Color Spoiler with Wicker Package , includes (5ZU) Body-color blade spoiler, LPO and (SIA) Wicker bill, LPO 1 - Requires exterior color (G7C) Red Hot, (GAZ) Summit White, (GBA) Black or (GKK) Riverside Blue Metallic. Not available with any RPO stripe option. 2 - Requires exterior color (G7C) Red Hot, (GAZ) Summit White, (GBA) Black or (GKK) Riverside Blue Metallic. Not available with any RPO stripe option or (D88) 1LE Hash Mark Decal. | A/D ¹ | A/D ² | A/D ² | A/D ² | A/D ¹ | A/D ² | A/D ² | -- |
| PCJ | | LPO, Dark Tint Rear Lighting Package , includes (62O) Clear CHMSL, LPO and (SCY) Dark finish tail lamps, LPO 1 - Not available with (B9M) dark tint tail lamps. 2 - Not available with (WRS) RS Package or (B9M) Dark tint tail lamps. | A/D ¹ | A/D ² | A/D ² | A/D ² | -- | -- | -- | -- |
| PCL | | LPO, Black Wheel Lug Nuts and Locks Package , includes (SPZ) Black wheel locks, LPO and (SPY) Black lug nuts, LPO 1 - Not available with (SFE) wheel locks, LPO. | -- | A/D ¹ | A/D ¹ | A/D ¹ | A/D ¹ | A/D ¹ | A/D ¹ | A/D ¹ |
| 5VM | | LPO, Ground Effects Package 1 - Requires 5V5 or 5ZU and exterior color (G9K) Satin Steel Metallic, (GAZ) Summit White or (GBA) Black. Not available with RMH, RZ3, VRV, VTD. 2 - Requires WRS, 5V5 or 5ZU and exterior color (G9K) Satin Steel Metallic, (GAZ) Summit White or (GBA) Black. Not available with RMH, RZ3, VRV, VTD. 3 - Requires exterior color (G9K) Satin Steel Metallic, (GAZ) Summit White or (GBA) Black. Not available with RMH, RZ3, VRV, VTD. | A/D ¹ | A/D ² | A/D ² | A/D ² | A/D ¹ | A/D ³ | A/D ³ | -- |
| VTD | | LPO, Ground effects, Carbon Flash Metallic, second generation 1 - Requires 5V5, 5ZU, or D80. Not available with 5VM, RMH, RZ3 or VRV. 2 - Not available with 5VM, RMH, RZ3 or VRV. | A/D ¹ | A/D ¹ | A/D ¹ | A/D ¹ | A/D ¹ | A/D ² | A/D ² | -- |

| ADDITIONAL OPTIONS | | | | | | | | | | |
|--------------------|--------------------|--------------------------------------------------------------------------------------------------------------------------------------------------------------------------------------------------------------------------------------------------------------------------------------------------------------------------------------------------------------------------------------------------------------------------------------------------------------------------------------------------------------------------------------------------------------------------------------------|------------------|------------------|------------------|------------------|------------------|------------------|------------------|-----------------|
| Free Flow RPO Code | Ref. Only RPO Code | Description | 1LS Coupe 1AG37 | 1LT Coupe 1AG37 | 2LT Coupe 1AH37 | 3LT Coupe 1AH37 | LT1 Coupe 1AJ37 | 1SS Coupe 1AJ37 | 2SS Coupe 1AK37 | ZL1 Coupe 1AL37 |
| | | | 1LS | 1LT | 2LT | 3LT | 1LZ | 1SS | 2SS | 1SE |
| RIK | | LPO, Black front and rear bowtie emblems 1 - Not available with (R88) Front illuminated and rear non-illuminated bowtie emblems in Black, LPO or (P3H) Black front and rear bowties. 2 - Not available with (WRS) RS Package, (R88) Front illuminated and rear non-illuminated bowtie emblems in Black, LPO or (P3H) Black front and rear bowties. | A/D ¹ | A/D ² | A/D ² | A/D ² | -- | -- | -- | -- |
| R88 | | LPO, Front illuminated and rear non-illuminated bowtie emblems in Black 1 - Not available with (RIK) Black front and rear bowtie emblems, LPO or (P3H) Black front and rear bowties. | A/D ¹ | A/D ¹ | A/D ¹ | A/D ¹ | A/D | -- | -- | -- |
| RZ3 | | LPO, Front splitter 1 - Requires 5V5, 5ZU or D80 and exterior color (G9K) Satin Steel Metallic, (GAZ) Summit White or (GBA) Black. 2 - Requires 5V5, 5ZU, D80 or WRS and exterior color (G9K) Satin Steel Metallic, (GAZ) Summit White or (GBA) Black. Not available with 5VM, RMH or VTD. 3 - Requires 5V5, 5ZU or D80 and exterior color (G9K) Satin Steel Metallic, (GAZ) Summit White or (GBA) Black. Not available with 5VM or VTD. 4 - Requires exterior color (G9K) Satin Steel Metallic, (GAZ) Summit White or (GBA) Black. Not available with 5VM, RMH or VTD. | A/D ¹ | A/D ² | A/D ² | A/D ² | A/D ³ | A/D ⁴ | A/D ⁴ | -- |
| SL2 | | LPO, Front fascia extension, Satin Black, second generation 1 - Requires 5V5, 5ZU, A9B or D80. Not available with 5VM, RMH, RZ3 or VTD. 2 - Not available with 5VM, RMH, RZ3 or VTD. | A/D ¹ | A/D ¹ | A/D ¹ | A/D ¹ | A/D ¹ | A/D ² | A/D ² | -- |
| RIN | | LPO, Camaro logo fender badge 1 - Not available with CG3, SFZ. 2 - Not available with CG3, SFZ, WBL. | A/D ¹ | A/D ² | A/D ² | A/D ² | -- | A/D ² | A/D ² | -- |
| SFZ | | LPO, Camaro fender badge, Black 1 - Not available with CG3, RIN. 2 - Not available with CG3, RIN, WBL. | A/D ¹ | A/D ² | A/D ² | A/D ² | -- | A/D ² | A/D ² | -- |
| VQL | | LPO, Fuel filler door in Black with visible carbon fiber insert | A/D | A/D | A/D | A/D | A/D | A/D | A/D | A/D |
| VTU | | LPO, Fuel filler door in Black with Gloss Black insert | A/D | A/D | A/D | A/D | A/D | A/D | A/D | A/D |

| ADDITIONAL OPTIONS | | | | | | | | | | |
|--------------------|--------------------|------------------------------------------------------------------------------------------------------------------------------------------------------------------------------------------------------------------------------------------------------------------------------------------------------------------------------------------------------------------------------------------------|------------------|------------------|------------------|------------------|------------------|------------------|------------------|------------------|
| Free Flow RPO Code | Ref. Only RPO Code | Description | 1LS Coupe 1AG37 | 1LT Coupe 1AG37 | 2LT Coupe 1AH37 | 3LT Coupe 1AH37 | LT1 Coupe 1AJ37 | 1SS Coupe 1AJ37 | 2SS Coupe 1AK37 | ZL1 Coupe 1AL37 |
| | | | 1LS | 1LT | 2LT | 3LT | 1LZ | 1SS | 2SS | 1SE |
| W0D | | LPO, Fuel filler door in Black with Red Hot insert 1 - Not available with exterior color (G16) Crush, (GKK) Riverside Blue Metallic, (GKO) Shock or (GSK) Wild Cherry Tintcoat. | A/D ¹ | A/D ¹ | A/D ¹ | A/D ¹ | A/D ¹ | A/D ¹ | A/D ¹ | A/D ¹ |
| W0E | | LPO, Fuel filler door in Black with Silver Ice Metallic insert | A/D | A/D | A/D | A/D | A/D | A/D | A/D | A/D |
| RZB | | LPO, Black lower grille with Red Hot inserts 1 - Not available with RO1, RO2 or exterior colors (G16) Crush, (GKK) Riverside Blue Metallic, (GKO) Shock or (GSK) Wild Cherry Tintcoat. | A/D ¹ | A/D ¹ | A/D ¹ | A/D ¹ | -- | -- | -- | -- |
| RO1 | | LPO, Black lower grille with Silver-painted inserts 1 - Not available with (RO2) Black lower grille with Gloss Black inserts, LPO. | A/D ¹ | A/D ¹ | A/D ¹ | A/D ¹ | -- | -- | -- | -- |
| RO2 | | LPO, Black lower grille with Gloss Black inserts 1 - Not available with (RO1) Black lower grille with Silver-painted inserts, LPO. | A/D ¹ | A/D ¹ | A/D ¹ | A/D ¹ | -- | -- | -- | -- |
| STI | | LPO, Satin Black rocker moldings 1 - Not available with 5VM, RMH, RZ3, VRV, VTD. | A/D ¹ | A/D ¹ | A/D ¹ | A/D ¹ | A/D ¹ | A/D ¹ | A/D ¹ | -- |
| RMH | | LPO, Front splitter, Carbon Flash Metallic 1 - Requires 5V5, 5ZU or D80. Not available with 5VM, RZ3, VTD. 2 - Not available with 5VM, RZ3, VTD. | A/D ¹ | A/D ¹ | A/D ¹ | A/D ¹ | A/D ¹ | A/D ² | A/D ² | -- |
| VRV | | LPO, Body-color painted splash guards 1 - Not available with 5VM, RMH, RZ3, STI, VTD or exterior colors (G16) Crush and (GKO) Shock. | A/D ¹ | A/D ¹ | A/D ¹ | A/D ¹ | A/D ¹ | A/D ¹ | A/D ¹ | -- |
| 5ZU | | LPO, Body-color blade spoiler 1 - Requires exterior color (G7C) Red Hot, (GAZ) Summit White, (GBA) Black or (GKK) Riverside Blue Metallic. Not available with any RPO stripe option. 2 - Requires (D80) decklid-mounted lip spoiler and exterior color (G7C) Red Hot, (GAZ) Summit White, (GBA) Black or (GKK) Riverside Blue Metallic. Not available with any RPO stripe option. | A/D ¹ | A/D ¹ | A/D ¹ | A/D ¹ | A/D ¹ | A/D ² | A/D ² | -- |
| 5ZZ | | LPO, Carbon Flash Metallic blade spoiler 1 - Not available with any RPO stripe option. | A/D ¹ | A/D ¹ | A/D ¹ | A/D ¹ | A/D ¹ | A/D ¹ | A/D ¹ | -- |

| ADDITIONAL OPTIONS | | | | | | | | | | |
|--------------------|--------------------|------------------------------------------------------------------------------------------------------------------------------------------------------------------------------------------------------------------------------------------------------------------------------------------------------------------------------------------------------------------------------------------------------------------------------------------------------------|------------------|------------------|------------------|------------------|------------------|------------------|------------------|------------------|
| Free Flow RPO Code | Ref. Only RPO Code | Description | 1LS Coupe 1AG37 | 1LT Coupe 1AG37 | 2LT Coupe 1AH37 | 3LT Coupe 1AH37 | LT1 Coupe 1AJ37 | 1SS Coupe 1AJ37 | 2SS Coupe 1AK37 | ZL1 Coupe 1AL37 |
| | | | 1LS | 1LT | 2LT | 3LT | 1LZ | 1SS | 2SS | 1SE |
| 5ZV | | LPO, Satin Black blade spoiler 1 - Not available with any RPO stripe option. | A/D ¹ | A/D ¹ | A/D ¹ | A/D ¹ | A/D ¹ | A/D ¹ | A/D ¹ | -- |
| 5V5 | | LPO, Body-color high-wing spoiler 1 - Requires exterior color (G7C) Red Hot, (G9K) Satin Steel Metallic, (GAZ) Summit White, (GBA) Black or (GKK) Riverside Blue Metallic. Not available with any RPO stripe option. 2 - Requires (D80) decklid-mounted lip spoiler and exterior color (G7C) Red Hot, (G9K) Satin Steel Metallic, (GAZ) Summit White, (GBA) Black or (GKK) Riverside Blue Metallic. Not available with any RPO stripe option. | A/D ¹ | A/D ¹ | A/D ¹ | A/D ¹ | A/D ¹ | A/D ² | A/D ² | -- |
| SB2 | | LPO, Carbon Flash Metallic wing spoiler 1 - Not available with any RPO stripe option. | A/D ¹ | A/D ¹ | A/D ¹ | A/D ¹ | A/D ¹ | A/D ¹ | A/D ¹ | -- |
| 5ZW | | LPO, Satin Black wing spoiler 1 - Not available with any RPO stripe option. | A/D ¹ | A/D ¹ | A/D ¹ | A/D ¹ | A/D ¹ | A/D ¹ | A/D ¹ | -- |
| 6ZQ | | LPO, ZL1 1LE SPEC visible carbon fiber spoiler 1 - Requires 5VM, RMH, RZ3, VTD. Not available with any RPO stripe option. 2 - Not available with any RPO stripe option. | -- | -- | -- | -- | -- | A/D ¹ | A/D ¹ | A/D ² |
| SB3 | | LPO, ZL1 SPEC rear spoiler, body-color 1 - Requires exterior color (G7C) Red Hot, (GAZ) Summit White, (GBA) Black or (GKK) Riverside Blue Metallic. Not available with any stripes. | -- | -- | -- | -- | -- | A/D ¹ | A/D ¹ | -- |
| RY2 | | LPO, Black Metallic Hash Mark Stripes | A/D | A/D | A/D | A/D | A/D | A/D | A/D | -- |
| VPO | | LPO, Gray Hash Mark Stripes | A/D | A/D | A/D | A/D | A/D | A/D | A/D | -- |
| SNG | | LPO, Red Hash Mark Stripes 1 - Not available with exterior color (GSK) Wild Cherry Tintcoat. | A/D ¹ | A/D ¹ | A/D ¹ | A/D ¹ | A/D ¹ | A/D ¹ | A/D ¹ | -- |
| SF9 | | LPO, Blue Hash Mark Stripes 1 - Not available with exterior colors (G7C) Red Hot, (GKK) Riverside Blue Metallic or (GSK) Wild Cherry Tintcoat. | A/D ¹ | A/D ¹ | A/D ¹ | A/D ¹ | A/D ¹ | A/D ¹ | A/D ¹ | -- |
| SHQ | | LPO, Silver Hash Mark Stripes | A/D | A/D | A/D | A/D | A/D | A/D | A/D | -- |
| SFC | | LPO, White Pearl Hash Mark Stripes | A/D | A/D | A/D | A/D | A/D | A/D | A/D | -- |

| ADDITIONAL OPTIONS | | | | | | | | | | |
|--------------------|--------------------|------------------------------------------------------------------------------------------------------------------------------------------------------|------------------|------------------|------------------|------------------|------------------|------------------|------------------|-----------------|
| Free Flow RPO Code | Ref. Only RPO Code | Description | 1LS Coupe 1AG37 | 1LT Coupe 1AG37 | 2LT Coupe 1AH37 | 3LT Coupe 1AH37 | LT1 Coupe 1AJ37 | 1SS Coupe 1AJ37 | 2SS Coupe 1AK37 | ZL1 Coupe 1AL37 |
| | | | 1LS | 1LT | 2LT | 3LT | 1LZ | 1SS | 2SS | 1SE |
| SHU | | LPO, Satin Black Hood Stripe with Red Hot Hash Mark | A/D | A/D | A/D | A/D | A/D | A/D | A/D | -- |
| SHS | | LPO, Satin Black Hood Stripe with Silver Ice Metallic Hash Mark | A/D | A/D | A/D | A/D | A/D | A/D | A/D | -- |
| VPW | | LPO, Black Metallic Body-Side Spear Stripes | A/D | A/D | A/D | A/D | A/D | A/D | A/D | -- |
| SNS | | LPO, Blue Body-Side Spear Stripes 1 - Not available with exterior colors (G7C) Red Hot, (GKK) Riverside Blue Metallic or (GSK) Wild Cherry Tintcoat. | A/D ¹ | A/D ¹ | A/D ¹ | A/D ¹ | A/D ¹ | A/D ¹ | A/D ¹ | -- |
| SNQ | | LPO, Gray Body-Side Spear Stripes 1 - Not available with exterior color (GJI) Shadow Gray Metallic. | A/D ¹ | A/D ¹ | A/D ¹ | A/D ¹ | A/D ¹ | A/D ¹ | A/D ¹ | -- |
| SNP | | LPO, Red Body-Side Spear Stripes 1 - Not available with exterior color (G16) Crush, (G7C) Red Hot, (GKO) Shock or (GSK) Wild Cherry Tintcoat. | A/D ¹ | A/D ¹ | A/D ¹ | A/D ¹ | A/D ¹ | A/D ¹ | A/D ¹ | -- |
| SF8 | | LPO, Silver Body-Side Spear Stripes | A/D | A/D | A/D | A/D | A/D | A/D | A/D | -- |
| SNH | | LPO, White Pearl Body-Side Spear Stripes 1 - Not available with exterior color (GAZ) Summit White. | A/D ¹ | A/D ¹ | A/D ¹ | A/D ¹ | A/D ¹ | A/D ¹ | A/D ¹ | -- |
| SB7 | | LPO, Red Spider Stripes 1 - Not available with exterior colors (G7C) Red Hot or (GSK) Wild Cherry Tintcoat. | A/D ¹ | A/D ¹ | A/D ¹ | A/D ¹ | A/D ¹ | A/D ¹ | A/D ¹ | -- |
| SB9 | | LPO, Black Spider Stripes | A/D | A/D | A/D | A/D | A/D | A/D | A/D | -- |
| SNB | | LPO, Silver Spider Stripes | A/D | A/D | A/D | A/D | A/D | A/D | A/D | -- |
| SNC | | LPO, White Pearl Spider Stripes 1 - Not available with exterior color (GAZ) Summit White. | A/D ¹ | A/D ¹ | A/D ¹ | A/D ¹ | A/D ¹ | A/D ¹ | A/D ¹ | -- |
| SNJ | | LPO, Black Metallic Stinger Stripe | A/D | A/D | A/D | A/D | A/D | A/D | A/D | -- |
| SFA | | LPO, Red Stinger Stripe 1 - Not available with exterior color (G16) Crush, (G7C) Red Hot, (GKO) Shock or (GSK) Wild Cherry Tintcoat. | A/D ¹ | A/D ¹ | A/D ¹ | A/D ¹ | A/D ¹ | A/D ¹ | A/D ¹ | -- |
| SNE | | LPO, Silver Stinger Stripe | A/D | A/D | A/D | A/D | A/D | A/D | A/D | -- |
| SNM | | LPO, White Pearl Stinger Stripe 1 - Not available with exterior color (GAZ) Summit White. | A/D ¹ | A/D ¹ | A/D ¹ | A/D ¹ | A/D ¹ | A/D ¹ | A/D ¹ | -- |

| ADDITIONAL OPTIONS | | | | | | | | | | |
|--------------------|--------------------|-------------------------------------------------------------------------------------------------------------------------------------------------------------------------------------------------------------------------------------------------------------------------------------------------------|------------------|------------------|------------------|------------------|------------------|------------------|------------------|------------------|
| Free Flow RPO Code | Ref. Only RPO Code | Description | 1LS Coupe 1AG37 | 1LT Coupe 1AG37 | 2LT Coupe 1AH37 | 3LT Coupe 1AH37 | LT1 Coupe 1AJ37 | 1SS Coupe 1AJ37 | 2SS Coupe 1AK37 | ZL1 Coupe 1AL37 |
| | | | 1LS | 1LT | 2LT | 3LT | 1LZ | 1SS | 2SS | 1SE |
| SCY | | LPO, Dark finish tail lamps 1 - Not available with (B9M) dark tint tail lamps. 2 - Not available with (B9M) dark tint tail lamps or (WRS) RS Package. | A/D ¹ | A/D ² | A/D ² | A/D ² | -- | -- | -- | -- |
| RWH | | LPO, Indoor vehicle cover , Black with Camaro logo | A/D | A/D | A/D | A/D | A/D | A/D | A/D | -- |
| RWH | | LPO, Indoor vehicle cover , Black with ZL1 logo | -- | -- | -- | -- | -- | -- | -- | A/D |
| VDN | | LPO, Indoor vehicle cover , Gray | A/D | A/D | A/D | A/D | A/D | A/D | A/D | A/D |
| SL1 | | LPO, Indoor vehicle cover , Red | A/D | A/D | A/D | A/D | A/D | A/D | A/D | A/D |
| RWJ | | LPO, Outdoor vehicle cover , Black | A/D | A/D | A/D | A/D | A/D | A/D | A/D | A/D |
| VRU | | LPO, Outdoor vehicle cover , Gray | A/D | A/D | A/D | A/D | A/D | A/D | A/D | A/D |
| RNX | | LPO, Outdoor vehicle cover , Red | A/D | A/D | A/D | A/D | A/D | A/D | A/D | A/D |
| VGS | | LPO, Outdoor vehicle cover , Gray, ZL1 logo | -- | -- | -- | -- | -- | -- | -- | A/D |
| RXH | | LPO, Silver RS wheel center caps 1 - Requires (WRS) RS Package. Not available with RTH, SHL. | -- | A/D ¹ | A/D ¹ | A/D ¹ | -- | -- | -- | -- |
| VW9 | | LPO, Black SS wheel center caps | -- | -- | -- | -- | -- | A/D | A/D | -- |
| RXJ | | LPO, Silver SS wheel center caps 1 - Not available with 56H, 56V. | -- | -- | -- | -- | -- | A/D ¹ | A/D ¹ | -- |
| 5ZB | | LPO, Camaro logo wheel center caps 1 - Not available with RTH, SHL. 2 - Not available with (RTH) 20" 5-spoke Carbon Flash painted aluminum wheels. 3 - Not available with (56H) SS 20" (50.8 cm) 5-spoke gloss Black wheels with Red stripe, LPO. 4 - Not available with 56H, 56V. | -- | A/D ¹ | A/D ¹ | A/D ¹ | A/D ² | A/D ³ | A/D ⁴ | -- |
| 5ZD | | LPO, Wheel center caps , Performance 1 - Not available with SHL, SKW. 2 - Not available with 56H, 56M. | -- | A/D ¹ | A/D ¹ | A/D ¹ | A/D | A/D ² | A/D ² | -- |
| SFE | | LPO, Wheel locks 1 - (SFE) Wheel locks is included with all LPO wheels. | A/D | A/D ¹ | A/D ¹ | A/D ¹ | A/D ¹ | A/D ¹ | A/D ¹ | A/D |
| SPZ | | LPO, Black wheel locks 1 - Not available with (SFE) wheel locks, LPO. | -- | A/D ¹ | A/D ¹ | A/D ¹ | A/D ¹ | A/D ¹ | A/D ¹ | A/D ¹ |
| SPY | | LPO, Black lug nuts 1 - Not available with (SFE) wheel locks, LPO. | -- | A/D ¹ | A/D ¹ | A/D ¹ | A/D ¹ | A/D ¹ | A/D ¹ | A/D ¹ |

| ADDITIONAL OPTIONS | | | | | | | | | | |
|--------------------|--------------------|-----------------------------------------------------------------------------------------------------------------------------------------------------------------------------------------------------------------------------------------------------------------------------------------------------------------------------------------------------------------------------------------------------------------------------------------------------------------------------------------------------------------------------------------------------------------------------------------------------------------------------|--------------------|--------------------|--------------------|--------------------|--------------------|--------------------|--------------------|--------------------|
| Free Flow RPO Code | Ref. Only RPO Code | Description | 1LS Coupe 1AG37 | 1LT Coupe 1AG37 | 2LT Coupe 1AH37 | 3LT Coupe 1AH37 | LT1 Coupe 1AJ37 | 1SS Coupe 1AJ37 | 2SS Coupe 1AK37 | ZL1 Coupe 1AL37 |
| | | | 1LS | 1LT | 2LT | 3LT | 1LZ | 1SS | 2SS | 1SE |
| SHL | | <p>LPO, 20" (50.8 cm) 5-spoke gloss Black wheels with Red outline stripe. When ordering SHL with other optional wheels, 2 complete sets of wheels are being ordered. Please ensure customer desires both sets of wheels before proceeding to place order with LPO wheels SHL.</p> <p>1 - Includes (VWD) Gloss Black wheel center caps with Silver bowtie, LPO. Not available with (SFE) wheel locks, LPO. When ordered with factory-installed (REG) 18" Silver-painted aluminum wheels, a more sporty ride will be experienced and will include 20" tires.</p> <p>2 - Not available with (SFE) wheel locks, LPO.</p> | -- | A/D ¹ | A/D ¹ | A/D ¹ | A/D ² | -- | -- | -- |
| 56H | | <p>LPO, SS 20" (50.8 cm) 5-spoke gloss Black wheels with Red stripe. When ordering 56H with other optional wheels, 2 complete sets of wheels are being ordered. Please ensure customer desires both sets of wheels before proceeding to place order with LPO wheels 56H. Includes (VWD) Gloss Black wheel center caps with Silver bowtie, LPO.</p> <p>1 - Not available with (SFE) wheel locks, LPO.</p> | -- | -- | -- | -- | -- | A/D ¹ | A/D ¹ | -- |
| SKW | | <p>LPO, 20" (50.8 cm) 5-split spoke machined-face wheels. When ordering SKW with other optional wheels, 2 complete sets of wheels are being ordered. Please ensure customer desires both sets of wheels before proceeding to place order with LPO wheels SKW.</p> <p>1 - Not available with (SFE) wheel locks, LPO. When ordered with factory-installed (REG) 18" Silver-painted aluminum wheels, a more sporty ride will be experienced and will include 20" tires.</p> <p>2 - Not available with (SFE) wheel locks, LPO.</p> | -- | A/D ¹ | A/D ¹ | A/D ¹ | A/D ² | -- | -- | -- |

| ADDITIONAL OPTIONS | | | | | | | | | | |
|--------------------|--------------------|-------------------------------------------------------------------------------------------------------------------------------------------------------------------------------------------------------------------------------------------------------------------------------------------------------------------------------------------------------------------------------------------------------------------------------------------------------------------------------------------------------------------------|------------------|------------------|------------------|------------------|------------------|------------------|------------------|-----------------|
| Free Flow RPO Code | Ref. Only RPO Code | Description | 1LS Coupe 1AG37 | 1LT Coupe 1AG37 | 2LT Coupe 1AH37 | 3LT Coupe 1AH37 | LT1 Coupe 1AJ37 | 1SS Coupe 1AJ37 | 2SS Coupe 1AK37 | ZL1 Coupe 1AL37 |
| | | | 1LS | 1LT | 2LT | 3LT | 1LZ | 1SS | 2SS | 1SE |
| 56M | | LPO, SS 20" (50.8 cm) 5-split spoke machined-face wheels. When ordering 56M with other optional wheels, 2 complete sets of wheels are being ordered. Please ensure customer desires both sets of wheels before proceeding to place order with LPO wheels 56M. 1 - Not available with (SFE) wheel locks, LPO. | -- | -- | -- | -- | -- | A/D ¹ | A/D ¹ | -- |
| 5JX | | LPO, LT 20" (50.8 cm) 5-split spoke Satin Black wheels. When ordering 5JX with other optional wheels, 2 complete sets of wheels are being ordered. Please ensure customer desires both sets of wheels before proceeding to place order with LPO wheels 5JX. 1 - Not available with (SFE) wheel locks, LPO. When ordered with factory-installed (REG) 18" Silver-painted aluminum wheels, a more sporty ride will be experienced and will include 20" tires. 2 - Not available with (SFE) wheel locks, LPO. | -- | A/D ¹ | A/D ¹ | A/D ¹ | A/D ² | -- | -- | -- |
| 57S | | LPO, SS 20" (50.8 cm) 5-split spoke Satin Black wheels. When ordering 57S with other optional wheels, 2 complete sets of wheels are being ordered. Please ensure customer desires both sets of wheels before proceeding to place order with LPO wheels 57S. 1 - Not available with (SFE) wheel locks, LPO. | -- | -- | -- | -- | -- | A/D ¹ | A/D ¹ | -- |
| SIA | | LPO, Wicker bill 1 - Requires (5ZU) Body-color blade spoiler, LPO. 2 - Requires (5ZU) Body-color blade spoiler, LPO or (A1X/A1Y) 1LE Track Performance Package. | A/D ¹ | A/D ² | A/D ² | A/D ² | A/D ¹ | A/D ² | A/D ² | -- |
| J6L | | Calipers, Orange-painted 1 - Includes (J55) Brembo 4-piston front, performance brakes. Not available REG/5K9 wheels. 2 - Not available with (57V) 20" Caliente wheels. | -- | A ¹ | A ¹ | A ¹ | A | A ² | A ² | -- |
| J6F | | Calipers, Red-painted 1 - Includes (J55) Brembo 4-piston front, performance brakes. Not available REG/5K9 wheels. 2 - Not available with (57V) 20" Caliente wheels. | -- | A ¹ | A ¹ | A ¹ | A | A ² | A ² | -- |

| ADDITIONAL OPTIONS | | | | | | | | | | |
|--------------------|--------------------|--------------------------------------------------------------------------------------------------------------------------------------------------------------------------------------------------------------------------------------------------------------|-----------------|-----------------|-----------------|-----------------|-----------------|-----------------|-----------------|-----------------|
| Free Flow RPO Code | Ref. Only RPO Code | Description | 1LS Coupe 1AG37 | 1LT Coupe 1AG37 | 2LT Coupe 1AH37 | 3LT Coupe 1AH37 | LT1 Coupe 1AJ37 | 1SS Coupe 1AJ37 | 2SS Coupe 1AK37 | ZL1 Coupe 1AL37 |
| | | | 1LS | 1LT | 2LT | 3LT | 1LZ | 1SS | 2SS | 1SE |
| D80 | | Spoiler , decklid-mounted lip spoiler 1 - Included with (A9B) Satin Black Appearance Package. 2 - Included with (A9B) Satin Black Appearance Package or (WRS) RS Package. 3 - Included and only available with 5V5, 5ZU, 5ZV, 5ZW, 5ZZ, SB2. | A ¹ | A ² | A ² | A ² | A ² | A ³ | A ³ | -- |
| DUU | | Black Center Stripe 1 - Not available with exterior color (GBA) Black. | A ¹ | A ¹ | A ¹ | A ¹ | -- | -- | -- | -- |
| DW8 | | Black Metallic Center Stripe | -- | -- | -- | -- | A | A | A | -- |
| DVV | | Black Metallic Center Stripe 1 - Roof, decklid and spoiler only, Not available with (CFW) Carbon Fiber weave hood insert. | -- | -- | -- | -- | -- | -- | -- | A ¹ |
| DUV | | Silver Center Stripe | A | A | A | A | A | A | A | -- |
| FE9 | | Emissions , Federal requirements | A | A | A | A | A | A | A | A |
| DW7 | | White Pearl Center Stripe 1 - Not available with exterior color (GAZ) Summit White. | A ¹ | A ¹ | A ¹ | A ¹ | A ¹ | A ¹ | A ¹ | -- |
| C30 | | Black Rally Stripes 1 - Not available with exterior color (GBA) Black. | A ¹ | A ¹ | A ¹ | A ¹ | -- | -- | -- | -- |
| YF5 | | Emissions , California state requirements | A | A | A | A | A | A | A | A |
| BO4 | | Black Metallic Rally Stripes | -- | -- | -- | -- | A | A | A | -- |
| NE1 | | Emissions , Connecticut, Delaware, Maine, Maryland, Massachusetts, New Jersey, New York, Oregon, Pennsylvania, Rhode Island, Vermont and Washington state requirements | A | A | A | A | A | A | A | A |

| ADDITIONAL OPTIONS | | | | | | | | | | |
|--------------------|--------------------|--------------------------------------------------------------------------------------------------------------------------------------------------------------------------------------------------------------------------------------------------------------------------------------------------------------------------------------------------------------------------------------------------------------------------------------------------------------------------------------------------------------------------------------------------------------------------------------------------------------------------------------------------------------------------------------------|--------------------|--------------------|--------------------|--------------------|--------------------|--------------------|--------------------|--------------------|
| Free Flow RPO Code | Ref. Only RPO Code | Description | 1LS Coupe 1AG37 | 1LT Coupe 1AG37 | 2LT Coupe 1AH37 | 3LT Coupe 1AH37 | LT1 Coupe 1AJ37 | 1SS Coupe 1AJ37 | 2SS Coupe 1AK37 | ZL1 Coupe 1AL37 |
| | | | 1LS | 1LT | 2LT | 3LT | 1LZ | 1SS | 2SS | 1SE |
| NB8 | | Emissions override , California (allows a dealer in states that require California emissions - California, Connecticut, Delaware, Maryland, Massachusetts, New Jersey, New York, Oregon, Pennsylvania, Rhode Island or Washington - to order Federal emissions for a vehicle that will be registered in a state that has Federal emission requirements). Do not use for vehicles that will be registered in California, Connecticut, Delaware, Maryland, Massachusetts, New Jersey, New York, Oregon, Pennsylvania, Rhode Island or Washington. 1 - Requires (FE9) Federal emissions requirements. Not available in Maine or Vermont. | A ¹ | A ¹ | A ¹ | A ¹ | A ¹ | A ¹ | A ¹ | A ¹ |
| C2U | | Silver Rally Stripes | A | A | A | A | A | A | A | -- |
| NB9 | | Emissions override , state-specific (for dealers ordering vehicles in (YF5) or (NE1) emission states - California, Connecticut, Delaware, Maine, Maryland, Massachusetts, New Jersey, New York, Oregon, Pennsylvania, Rhode Island, Vermont and Washington) 1 - Allows a California dealer (YF5 emissions) to order (NE1) emissions with (NB9) emissions override code for registration in (NE1) states; or, a Connecticut, Delaware, Maine, Maryland, Massachusetts, New Jersey, New York, Oregon, Pennsylvania, Rhode Island, Vermont and Washington dealer (NE1 emissions) to order (YF5) emissions with (NB9) emissions override code for registration in California. | A ¹ | A ¹ | A ¹ | A ¹ | A ¹ | A ¹ | A ¹ | A ¹ |
| BO3 | | White Pearl Rally Stripes 1 - Not available with exterior color (GAZ) Summit White. | A ¹ | A ¹ | A ¹ | A ¹ | A ¹ | A ¹ | A ¹ | -- |

| ADDITIONAL OPTIONS | | | | | | | | | | |
|--------------------|--------------------|-----------------------------------------------------------------------------------------------------------------------------------------------------------------------------------------------------------------------------------------------------------------------------------------------------------------------------------------------------------------------------------------------------------------------------------------------------------------------------------------------------------------------------------------------------------------------------------|-----------------|-----------------|-----------------|-----------------|------------------|------------------|------------------|-----------------|
| Free Flow RPO Code | Ref. Only RPO Code | Description | 1LS Coupe 1AG37 | 1LT Coupe 1AG37 | 2LT Coupe 1AH37 | 3LT Coupe 1AH37 | LT1 Coupe 1AJ37 | 1SS Coupe 1AJ37 | 2SS Coupe 1AK37 | ZL1 Coupe 1AL37 |
| | | | 1LS | 1LT | 2LT | 3LT | 1LZ | 1SS | 2SS | 1SE |
| NC7 | | Emissions override , Federal (for vehicles ordered by dealers in Federal emission states with (YF5) or (NE1) emissions - Not required for vehicles being shipped to California, Connecticut, Delaware, Maine, Maryland, Massachusetts, New Jersey, New York, Oregon, Pennsylvania, Rhode Island, Vermont or Washington) 1 - Requires (YF5) California state emissions requirements or (NE1) Connecticut, Delaware, Maine, Maryland, Massachusetts, New Jersey, New York, Oregon, Pennsylvania, Rhode Island, Vermont or Washington state emissions requirements. | A ¹ | A ¹ | A ¹ | A ¹ | A ¹ | A ¹ | A ¹ | A ¹ |
| B9M | | Tail lamps , dark tint 1 - Not available with (WRS) RS Package since it already includes dark tint tail lamps. | A | A ¹ | A ¹ | A ¹ | -- | -- | -- | -- |
| LGX | | Engine , 3.6L V6, DI, VVT (335 hp [250 kW] @ 6800 rpm, 284 lb-ft of torque [383.4 N-m] @ 5300 rpm) | -- | A | A | A | -- | -- | -- | -- |
| K05 | | Engine block heater | A | A | A | A | -- | -- | -- | -- |
| NPP | | Exhaust , dual-mode 1 - Requires (LGX) 3.6L V6 engine. | -- | A ¹ | A ¹ | A ¹ | A | A | A | S |
| 5WF | | LPO, Battery Protection Package | A/D | A/D | A/D | A/D | A/D | A/D | A/D | A/D |
| PCU | | LPO, 4-Corner Brembo brake upgrade system in Red , includes (5LQ) 6 Piston Front Brake Kit, LPO and (RX0) 4 Piston Brembo rear calipers in Red, LPO | -- | -- | -- | -- | -- | A/D | A/D | -- |
| 5LQ | | LPO, 6 Piston Front Brake Kit , includes Brembo Red brake calipers, slotted rotors and pad upgrade. Front brakes only. | A/D | A/D | A/D | A/D | A/D | A/D | A/D | -- |
| RTJ | | Wheels , 20" (50.8 cm) 5-spilt spoke bright Silver-painted aluminum 1 - Requires (WRS) RS Package. | -- | A ¹ | A ¹ | A ¹ | A | -- | -- | -- |
| RVK | | LPO, Performance air intake 1 - Not available at start of production. | -- | -- | -- | -- | A/D ¹ | A/D ¹ | A/D ¹ | -- |
| RTH | | Wheels , 20" (50.8 cm) 5-spoke Carbon Flash painted aluminum | -- | A | A | A | A | -- | -- | -- |
| SLN | | LPO, Strut tower brace | -- | -- | -- | -- | -- | A/D | A/D | -- |

| ADDITIONAL OPTIONS | | | | | | | | | | |
|--------------------|--------------------|------------------------------------------------------------------------------------------------------------------------------------------------------------------------------------------------------------------------------|-----------------|------------------|------------------|------------------|------------------|------------------|------------------|-----------------|
| Free Flow RPO Code | Ref. Only RPO Code | Description | 1LS Coupe 1AG37 | 1LT Coupe 1AG37 | 2LT Coupe 1AH37 | 3LT Coupe 1AH37 | LT1 Coupe 1AJ37 | 1SS Coupe 1AJ37 | 2SS Coupe 1AK37 | ZL1 Coupe 1AL37 |
| | | | 1LS | 1LT | 2LT | 3LT | 1LZ | 1SS | 2SS | 1SE |
| RQ9 | | Wheels, 20" (50.8 cm) 5-split spoke premium Gray-painted, machined-face aluminum 1 - Included and only available with (WRS) RS Package. | -- | A ¹ | A ¹ | A ¹ | A | -- | -- | -- |
| SCG | | LPO, 6.2L Strut tower brace in Black 1 - Not available with (SLN) Strut tower brace. LPO. | -- | -- | -- | -- | A/D | A/D ¹ | A/D ¹ | -- |
| WR1 | | Wheels, 20" (50.8 cm) 5-split spoke polished forged with Black star center cap 1 - Requires (WRS) RS Package. | -- | A ¹ | A ¹ | A ¹ | A | -- | -- | -- |
| SCJ | | LPO, Suspension Handling Package, 1LE Track Pack - V8 1 - Requires (F55) Magnetic Ride Control. Not available with (SG3) Lowering suspension upgrade system, LPO. | -- | -- | -- | -- | -- | A/D ¹ | A/D ¹ | -- |
| 5K9 | | Wheels, 20" (50.8 cm) Caliente 1 - Requires (WRS) RS Package. | -- | A ¹ | A ¹ | A ¹ | A | -- | -- | -- |
| SG3 | | LPO, Lowering suspension upgrade system 1 - Not available with (REG) 18" Silver-painted aluminum wheels. 2 - Not available with (F55) Magnetic Ride Control. | -- | A/D ¹ | A/D ¹ | A/D ¹ | A/D | A/D ² | A/D ² | -- |
| SC1 | | LPO, Sway bar suspension upgrade system 1 - Requires (SG3) Lowering suspension upgrade system, LPO. 2 - Requires (SG3) Lowering suspension upgrade system, LPO. Not available with (F55) Magnetic Ride Control. | -- | -- | -- | -- | A/D ¹ | A/D ² | A/D ² | -- |
| F55 | | Magnetic Ride Control 1 - Deleted when (A1Z) ZL1 1LE Extreme Track Performance Package is ordered. | -- | -- | -- | -- | -- | A | A | S ¹ |
| 56R | | Wheels, 20" x 8.5" (50.8 cm x 21.6 cm) front and 20" x 9.5" (50.8 cm x 24.1 cm) rear 5-split spoke premium Gray-painted machined-face aluminum | -- | -- | -- | -- | -- | A | A | -- |

| ADDITIONAL OPTIONS | | | | | | | | | | |
|--------------------|--------------------|-------------------------------------------------------------------------------------------------------------------------------------------------------------------------------------------------------------------------------------------------------------------------------------------------------------------------------------------------------------------------------------------------------------------------------------------------------------------------------------------------------------------------------------------------------------------------------------------------------------------------------------------------------------------------------------------------------------------------------------------------------------------------------------------------------------------------------------------------------------------------------------------------------------------------------------------------------------------------------------------------------------------------------------------------------------------------------------------------------------------------------------------------------------------------------------------------------------------------------------------------------------------------------------------------------------------------|-----------|----------------|----------------|----------------|-----------|-----------|-----------|-----------|
| Free Flow RPO Code | Ref. Only RPO Code | Description | 1LS Coupe | 1LT Coupe | 2LT Coupe | 3LT Coupe | LT1 Coupe | 1SS Coupe | 2SS Coupe | ZL1 Coupe |
| | | | 1AG37 | 1AG37 | 1AH37 | 1AH37 | 1AJ37 | 1AJ37 | 1AK37 | 1AL37 |
| | | | 1LS | 1LT | 2LT | 3LT | 1LZ | 1SS | 2SS | 1SE |
| Y4Q | | Heavy-Duty Cooling and Brake Package , includes (KC4) external engine oil cooler and (J55) Brembo 4-piston front performance, 4-wheel antilock, 4-wheel disc brakes; also includes (V18) auxiliary engine coolant cooler when (LGX) 3.6L V6 engine is ordered; also includes (V03) extra capacity cooling system when (MX0) automatic transmission is ordered 1 - Requires (WRS) RS Package or (RTH) 20" 5-spoke Carbon Flash painted aluminum wheels. Included with (A1X) 1LE Track Performance Package. | -- | A ¹ | A ¹ | A ¹ | -- | -- | -- | -- |
| 56W | | Wheels , 20" x 8.5" (50.8 cm x 21.6 cm) front and 20" x 9.5" (50.8 cm x 24.1 cm) rear 5-spilt spoke bright Silver-painted aluminum | -- | -- | -- | -- | -- | A | A | -- |
| A1X | | 1LE Track Performance Package , includes (J55) Brembo 4-piston front performance, 4-wheel antilock, 4-wheel disc brakes, (KC4) external engine oil cooler, (V03) extra capacity cooling system, (KNR) rear differential cooler, (KD1) transmission oil cooler, (G80) limited slip differential, (Y4Q) Heavy-Duty Cooling and Brake Package, (FE3) performance suspension, (FTF) Black front splitter, (DSM) Satin Black hood wrap, (D5S) Satin Black rear blade spoiler, (R0F) 245/40ZR20 front and 275/35ZR20 rear, blackwall, summer-only, run-flat tires, (56Z) 20" x 8.5" front and 20" x 9.5" rear Black forged aluminum wheels, RS badging, RS lighting, (N26) sueded-wrapped, flat-bottom steering wheel and (KS9) sueded-wrapped shift knob, also includes (NPP) dual-mode exhaust when (LGX) 3.6L V6 engine is ordered 1 - Requires (H1T/H0Y) Jet Black interior and (MN6) 6-speed manual transmission. Not available with A9B, B9M, P3H, PDL, PDN, WRS; any other wheels; the following Stripes: B03, C2U, C3O, DUU, DUV, DW7; and the following LPOs: 5JX, 5V5, 5VM, 5ZB, 5ZD, 5ZU, 5ZV, 5ZW, 5ZZ, PCX, R88, RMH, RXH, RY2, RZ3, RZB, SA7, SB2, SB7, SB9, SCY, SF8, SF9, SFA, SFC, SFZ, SG3, SHL, SHQ, SKW, SL2, SNB, SNC, SNE, SNG, SNH, SNJ, SNM, SNP, SNQ, SNS, VPO, VPW, VTD, VTF, WGL. | -- | A ¹ | A ¹ | A ¹ | -- | -- | -- | -- |

| ADDITIONAL OPTIONS | | | | | | | | | | |
|--------------------|--------------------|----------------------------------------------------------------------------------------------------------------------------------------------------------------------------------------------------------------------------------------------------------------------------------------------------------------------------------------------------------------------------------------------------------------------------------------------------------------------------------------------------------------------------------------------------------------------------------------------------------------------------------------------------------------------------------------------------------------------------------------------------------------------------------------------------------------------------------------------------------------------------------------------------------------------------------------------------------------------------------------------------------------------------------------------------------------------------------------------------------------------------------------------------------------------------------------------------------------------------------------------------------------------------------------------------------------------------------------------------------------------------------------------------------------------------------------------------------------------------------------------------------------------------------------------------------------------------------------------------------------------------------------------------------------------------------------------------------------|-----------|-----------|-----------|-----------|-----------|----------------|----------------|-----------|
| Free Flow RPO Code | Ref. Only RPO Code | Description | 1LS Coupe | 1LT Coupe | 2LT Coupe | 3LT Coupe | LT1 Coupe | 1SS Coupe | 2SS Coupe | ZL1 Coupe |
| | | | 1AG37 | 1AG37 | 1AH37 | 1AH37 | 1AJ37 | 1AJ37 | 1AK37 | 1AL37 |
| | | | 1LS | 1LT | 2LT | 3LT | 1LZ | 1SS | 2SS | 1SE |
| 56V | | Wheels , 20" x 8.5" (50.8 cm x 21.6 cm) front and 20" x 9.5" (50.8 cm x 24.1 cm) rear 5-spoke Carbon Flash painted aluminum | -- | -- | -- | -- | -- | A | A | -- |
| A1Y | | SS 1LE Track Performance Package , includes (J6M) Brembo Red, 6-piston front monobloc calipers, 4-piston rear calipers, 2-piece rotors, performance, 4-wheel antilock, 4-wheel disc brakes, (G96) electronic limited slip differential, (NPP) dual-mode performance exhaust, (F55) Magnetic Ride Control, (FE4) performance suspension, (FTJ) Black front splitter, (DSM) Satin Black hood wrap, (D5S) Satin Black rear blade spoiler, (R0G) 285/30R20 front and 305/30R20 rear, blackwall, summer-only tires, (RSK) 20" x 10" front and 20" x 11" rear Satin Graphite forged aluminum wheels, (AQJ) RECARO performance front bucket seats, (N26) sueded-wrapped, flat-bottom steering wheel and (KS9) sueded-wrapped shift knob, also includes (HRD) 2.85 rear axle ratio when (MX0) automatic transmission is ordered 1 - Also includes (UV6) Head-Up Display. Requires (H1T) Jet Black interior. Not available with A9B, J6F, J6L, PDL; any other wheels; the following Stripes: BO3, BO4, C2U, DUV, DW7, DW8; and the following LPOs: 5LQ, 5V5, 5VM, 5ZB, 5ZD, 5ZU, 5ZV, 5ZW, 5ZZ, PCX, RMH, RXJ, RY2, RZ3, S0V, SA7, SB2, SB3, SB7, SB9, SC1, SCJ, SF8, SF9, SFA, SFC, SFZ, SG3, SHQ, SL2, SNB, SNC, SNE, SNG, SNH, SNJ, SNM, SNP, SNQ, SNS, VPO, VPW, VTD, WGL. 2 - Requires (H0Y) Jet Black interior. Not available with A9B, J6F, J6L, PDL, PDN; any other wheels; the following Stripes: BO3, BO4, C2U, DUV, DW7, DW8; and the following LPOs: 5LQ, 5V5, 5VM, 5ZB, 5ZD, 5ZU, 5ZV, 5ZW, 5ZZ, PCX, RMH, RXJ, RY2, RZ3, S0V, SA7, SB2, SB3, SB7, SB9, SC1, SCJ, SF8, SF9, SFA, SFC, SFZ, SG3, SHQ, SL2, SNB, SNC, SNE, SNG, SNH, SNJ, SNM, SNP, SNQ, SNS, VPO, VPW, VTD, WGL. | -- | -- | -- | -- | -- | A ¹ | A ² | -- |
| 57W | | Wheels , 20" x 8.5" (50.8 cm x 21.6 cm) front and 20" x 9.5" (50.8 cm x 24.1 cm) rear 5-split spoke polished forged with Black star center cap | -- | -- | -- | -- | -- | A | A | -- |

| ADDITIONAL OPTIONS | | | | | | | | | | |
|--------------------|--------------------|----------------------------------------------------------------------------------------------------------------------------------------------------------------------------------------------------------------------------------------------------------------------------------------------------------------------------------------------------------------------------------------------------------------------------------------------------------------------------------------------------------------------------------------------------------------------------------------------------------------------------------------------------------------------------------------------------------------------------------------------------------------------------------------------------------------------------------------------------------------|-----------|----------------|----------------|----------------|-----------|-----------|-----------|----------------|
| Free Flow RPO Code | Ref. Only RPO Code | Description | 1LS Coupe | 1LT Coupe | 2LT Coupe | 3LT Coupe | LT1 Coupe | 1SS Coupe | 2SS Coupe | ZL1 Coupe |
| | | | 1AG37 | 1AG37 | 1AH37 | 1AH37 | 1AJ37 | 1AJ37 | 1AK37 | 1AL37 |
| | | | 1LS | 1LT | 2LT | 3LT | 1LZ | 1SS | 2SS | 1SE |
| 57V | | Wheels , 20" x 8.5" (50.8 cm x 21.6 cm) front and 20" x 9.5" (50.8 cm x 24.1 cm) rear Caliente | -- | -- | -- | -- | -- | A | A | -- |
| A1Z | | ZL1 1LE Extreme Track Performance Package , includes (FEA) Performance Suspension with DSSV dampers, Red calipers, (DSM) Satin Black hood wrap, (CFW) exposed Carbon Fiber weave hood insert, (T42) exposed weave carbon fiber rear spoiler, low-gloss Black outside rearview mirrors, dark tail lamps, front dive planes, unique front splitter with lower DRL deleted, (R6O) 305/30R19 front and 325/30R19 rear, blackwall, summer-only tires, (PKJ) 19" x 11" front and 19" x 12" rear low gloss Black-painted forged aluminum wheels, (DD8) auto-dimming inside rearview mirror, (A62) rear fixed seat, and specific ratios when 6-speed manual transmission is ordered 1 - Not available with (CF5) power sunroof, any other wheels, (DVV) Black Metallic Center Stripe; and the following LPOs: 6ZQ, PDX, RNX, RWJ, SL1, VDN, VGS, VRU. | -- | -- | -- | -- | -- | -- | -- | A ¹ |
| MX0 | | Transmission , 8-speed automatic, includes transmission oil cooler and (BTV) remote vehicle starter system 1 - Requires (LTG) 2.0L Turbo engine. | A | A ¹ | A ¹ | A ¹ | -- | -- | -- | -- |
| MX0 | | Transmission , 10-speed automatic, includes transmission oil cooler and (BTV) remote vehicle starter system 1 - Requires (LGX) 3.6L V6 engine. | -- | A ¹ | A ¹ | A ¹ | A | A | A | A |

S = Standard Equipment A = Available --(dashes) = Not Available D = ADI Available

■ = Included in Equipment Group □ = Included in Equipment Group but upgradeable

No deletions allowed to Equipment Groups. Additional options may be added; check ordering information section for compatibility

Codes listed in the shaded column titled Ref. Only RPO Code are for internal use only and should not be ordered.

| Free Flow RPO Code | Ref. Only RPO Code | Description | 1LT | 2LT | 3LT | LT1 | 1SS | 2SS | ZL1 |
|--------------------|--------------------|--------------------|-------------|-------------|-------------|-------------|-------------|-------------|-------------|
| | | | Convertible | Convertible | Convertible | Convertible | Convertible | Convertible | Convertible |
| | | | 1AG67 | 1AH67 | 1AH67 | 1AJ67 | 1AJ67 | 1AK67 | 1AL67 |
| | | | 1LT | 2LT | 3LT | 1LZ | 1SS | 2SS | 1SE |
| | | Standard Equipment | ■ | ■ | ■ | ■ | ■ | ■ | ■ |

| ADDITIONAL OPTIONS | | | | | | | | | | |
|--------------------|--------------------|-----------------------------------------------------------------------------------------------------------------------------------------------------------------------------------------------------------------------------------------------------------------------------------------------------------------------------------------------------------------------------------------------------------------------------------------------------------------|------------------|------------------|------------------|-------------|------------------|------------------|-------------|-------------|
| Free Flow RPO Code | Ref. Only RPO Code | Description | 1LT | 2LT | 3LT | LT1 | 1SS | 2SS | ZL1 | |
| | | | Convertible | Convertible | Convertible | Convertible | Convertible | Convertible | Convertible | Convertible |
| | | | 1AG67 | 1AH67 | 1AH67 | 1AJ67 | 1AJ67 | 1AK67 | 1AL67 | |
| | | | 1LT | 2LT | 3LT | 1LZ | 1SS | 2SS | 1SE | |
| Y3W | | Technology Package , includes (IOS) Chevrolet Infotainment 3 Plus system, 8" diagonal HD color touchscreen and (UQA) Bose premium speaker system | A | A | -- | A | -- | -- | -- | |
| IOT | | Audio system , Chevrolet Infotainment 3 Premium system with connected Navigation, 8" diagonal HD color touchscreen, AM/FM stereo, Bluetooth audio streaming for 2 active devices, Apple CarPlay and Android Auto capable, enhanced voice recognition, additional memory for in-vehicle apps, cloud connected personalization for select infotainment and vehicle settings. Subscription required for enhanced and connected services after trial period. | -- | -- | A | -- | -- | A | A | |
| BRJ | | Adrenaline Red Interior Package , includes Black interior with Adrenaline Red front seat inserts, door inserts and stitching on front seats, doors, steering wheel, shifter and center console 1 - Not available with exterior color (G16) Crush, (GKK) Riverside Blue Metallic or (GKO) Shock. | -- | A ¹ | A ¹ | -- | -- | A ¹ | -- | |
| BRD | | Ceramic White Interior Package , includes Black interior with Ceramic White front seat inserts, door inserts and stitching on front seats, doors, steering wheel, shifter and center console | -- | A | A | -- | -- | A | -- | |
| 3DL | | Interior trim , carbon fiber instrument panel molding | -- | -- | -- | -- | -- | -- | A | |
| 2F5 | | Knee pads , Red 1 - Not available with (H01) Kalahari interior. | A | A ¹ | A ¹ | A | A | A ¹ | A | |
| 5V6 | | LPO, Black Interior Appearance Package , includes (WGT) Black Interior Trim Kit, door accent trim, LPO and (S0U) Black sueded knee pads, LPO | A/D | A/D | -- | A/D | A/D | -- | -- | |
| PCX | | LPO, Camaro Logo Package , includes (SH1) Embroidered center console lid with Camaro badge, LPO, (VYW) premium carpeted floor mats with Camaro logo, LPO and (RIN) Camaro logo fender badge, LPO 1 - Not available with CG3, PCN, SFZ, SH2, VTF. 2 - Not available with BRJ, CG3, H01, PCN, SFZ, SH2, VTF. | A/D ¹ | A/D ² | A/D ² | -- | A/D ¹ | A/D ² | -- | |

| ADDITIONAL OPTIONS | | | | | | | | | |
|--------------------|--------------------|--------------------------------------------------------------------------------------------------------------------------------------------------------------------------------------------------------------------------------------------------------------------------------------------------------------------------------------------|------------------|------------------|------------------|------------------|------------------|------------------|-------------|
| Free Flow RPO Code | Ref. Only RPO Code | Description | 1LT | 2LT | 3LT | LT1 | 1SS | 2SS | ZL1 |
| | | | Convertible | Convertible | Convertible | Convertible | Convertible | Convertible | Convertible |
| | | | 1AG67 | 1AH67 | 1AH67 | 1AJ67 | 1AJ67 | 1AK67 | 1AL67 |
| | | | 1LT | 2LT | 3LT | 1LZ | 1SS | 2SS | 1SE |
| PCN | | LPO, Winter/Summer Floor Mats Package , includes (VYW) Premium carpeted floor mats, LPO and (VAV) All-weather floor mats, LPO 1 - Not available with PCX, VQG. 2 - Not available with H01, PCX, VQG. 3 - Not available with (VQG) Weather Protection Package, LPO. | A/D ¹ | A/D ² | A/D ² | A/D ³ | A/D ¹ | A/D ² | -- |
| VQG | | LPO, Weather Protection Package , includes (VAV) All-weather floor mats, LPO and (VRV) Body-color painted splash guards, LPO 1 - Not available with (5VM/VTD) Ground Effects Package, LPOs or exterior color (G16) Crush. | A/D ¹ | A/D ¹ | A/D ¹ | A/D ¹ | A/D ¹ | A/D ¹ | -- |
| PDX | | LPO, ZL1 Protection Package , includes (W1V) Premium carpeted floor mats with ZL1 logo, LPO and (VGS) Outdoor vehicle cover, Gray with ZL1 logo, LPO | -- | -- | -- | -- | -- | -- | A/D |
| W2D | | LPO, Cargo net | A/D | A/D | A/D | A/D | A/D | A/D | A/D |
| SH1 | | LPO, Embroidered center console lid with Camaro badge 1 - Not available with (H01) Kalahari interior or (BRJ) Adrenaline Red Interior Accent Trim Package. | A/D | A/D ¹ | A/D ¹ | A/D | A/D | A/D ¹ | -- |
| VTF | | LPO, Embroidered center console lid with RS or SS logo 1 - Requires (WRS) RS Package. 2 - Requires (WRS) RS Package. Not available with (H01) Kalahari interior or (BRJ) Adrenaline Red Interior Accent Trim Package. 3 - Not available with (H01) Kalahari interior or (BRJ) Adrenaline Red Interior Accent Trim Package. | A/D ¹ | A/D ² | A/D ² | -- | A/D | A/D ³ | -- |
| SH2 | | LPO, Embroidered center console lid , Chevrolet Performance logo 1 - Not available with SH1, VTF. 2 - Not available with H01, SH1, VTF. 3 - Not available with (SH1) Embroidered center console lid with Camaro badge, LPO. | A/D ¹ | A/D ² | A/D ² | A/D ³ | A/D ¹ | A/D ² | A/D |
| VYW | | LPO, Floor mats , premium carpeted with Camaro logo 1 - Not available with (H01) Kalahari interior. | A/D | A/D ¹ | A/D ¹ | A/D | A/D | A/D ¹ | -- |
| W1V | | LPO, Floor mats , premium carpeted with ZL1 logo | -- | -- | -- | -- | -- | -- | A/D |
| VAV | | LPO, All-weather floor mats | A/D | A/D | A/D | A/D | A/D | A/D | A/D |
| S00 | | LPO, Illuminated footwells | -- | -- | A/D | -- | -- | A/D | -- |
| WGT | | LPO, Black Interior Trim Kit , door accent trim | A/D | A/D | -- | A/D | A/D | -- | -- |

| ADDITIONAL OPTIONS | | | | | | | | | |
|--------------------|--------------------|-------------------------------------------------------------------------------------------------------------------------------------------------------------------------------------------------------------------|------------------|------------------|------------------|------------------|------------------|------------------|-------------|
| Free Flow RPO Code | Ref. Only RPO Code | Description | 1LT | 2LT | 3LT | LT1 | 1SS | 2SS | ZL1 |
| | | | Convertible | Convertible | Convertible | Convertible | Convertible | Convertible | Convertible |
| | | | 1AG67 | 1AH67 | 1AH67 | 1AJ67 | 1AJ67 | 1AK67 | 1AL67 |
| | | | 1LT | 2LT | 3LT | 1LZ | 1SS | 2SS | 1SE |
| WGK | | LPO, Red Interior Trim Kit , door accent trim 1 - Not available with (H01) Kalahari interior or (BRJ) Adrenaline Red Interior Accent Trim Package. | A/D | A/D ¹ | -- | A/D | A/D | -- | -- |
| VTG | | LPO, White Interior Trim Kit , door accent trim 1 - Not available with (H01) Kalahari interior. | A/D | A/D ¹ | -- | A/D | A/D | -- | -- |
| S0U | | LPO, Black sueded knee pads | A/D | A/D | A/D | A/D | A/D | A/D | -- |
| WGL | | LPO, Kalahari knee pads 1 - Not available with (H72/H17) Medium Ash Gray interior. 2 - Not available with (BRJ/BRD) Interior Accent Trim Packages or (H17) Medium Ash Gray interior. | A/D ¹ | A/D ² | A/D ² | A/D ¹ | A/D ¹ | A/D ² | -- |
| WHA | | LPO, Red knee pads 1 - Not available with (2F5) Red knee pads. 2 - Not available with (2F5) Red knee pads, (BRD) Ceramic White Interior Accent Trim Package or (H01) Kalahari leather interior trim. | A/D ¹ | A/D ² | A/D ² | A/D ¹ | A/D ¹ | A/D ² | -- |
| S0V | | LPO, White knee pads 1 - Not available with (BRJ) Adrenaline Red Interior Accent Trim Package or (H01) Kalahari interior. | A/D | A/D ¹ | A/D ¹ | A/D | A/D | A/D ¹ | -- |
| 5KP | | LPO, Illuminated sill plates | A/D | A/D | -- | A/D | A/D | -- | -- |
| VEB | | LPO, Sport pedals kit 1 - Not available with (JF5) sport alloy pedals. | A/D ¹ | A/D ¹ | A/D ¹ | A/D ¹ | A/D ¹ | A/D ¹ | -- |
| 5YN | | LPO, Carbon Fiber-look shift knob (auto) or Carbon Fiber-look shift knob medallion (manual) | A/D | A/D | A/D | A/D | A/D | A/D | A/D |
| SA7 | | LPO, Suede shift knob and boot kit 1 - Not available with (KS9) sueded microfiber-wrapped shift knob or (MX0) automatic transmission. | A/D ¹ | A/D ¹ | A/D ¹ | A/D ¹ | A/D ¹ | A/D ¹ | -- |
| JF5 | | Pedals , sport alloy | A | A | A | A | A | A | S |
| 3F9 | | Seat belt color , Red | A | A | A | A | A | A | A |
| AQJ | | Seats , front bucket, RECARO performance 1 - Requires (H1T/H0Y) Jet Black interior trim. | A ¹ | A ¹ | A ¹ | A ¹ | A ¹ | A ¹ | S |
| N26 | | Steering wheel , 3-spoke, sueded microfiber-wrapped, flat-bottom 1 - Requires (MX0) automatic transmission. | A | A | A | A ¹ | A | A | S |

| ADDITIONAL OPTIONS | | | | | | | | | |
|--------------------|--------------------|----------------------------------------------------------------------------------------------------------------------------------------------------------------------------------------------------------------------------------------------------------------------------------------------------------------------------------------------------------------------------------------------------------------------------------------------------------------------------------------------------------------------------------------------------------------------------------------------------------------------------------------------------------------------------------------|----------------|----------------|----------------|----------------|----------------|----------------|-------------|
| Free Flow RPO Code | Ref. Only RPO Code | Description | 1LT | 2LT | 3LT | LT1 | 1SS | 2SS | ZL1 |
| | | | Convertible | Convertible | Convertible | Convertible | Convertible | Convertible | Convertible |
| | | | 1AG67 | 1AH67 | 1AH67 | 1AJ67 | 1AJ67 | 1AK67 | 1AL67 |
| | | | 1LT | 2LT | 3LT | 1LZ | 1SS | 2SS | 1SE |
| WBL | | <p>Redline Edition, includes (SRI/58E) 20" Black-painted aluminum wheels with Red accents, (CG6) Black Camaro fender badge with Red outline, (VUP) Redline Edition graphics, LPO, (3F9) Red seat belt color, (2F5) Red knee pads and (VYW) Premium carpeted floor mats, LPO</p> <p>1 - Requires (WRS) RS Package, (19T) Black convertible top, (H1T/H0Y) Jet Black interior and exterior color (G9K) Satin Steel Metallic, (GAZ) Summit White or (GBA) Black. Not available with P3H, RO1, RO2, RZB.</p> <p>2 - Requires (19T) Black convertible top, (H1T/H0Y) Jet Black interior and exterior color (G9K) Satin Steel Metallic, (GAZ) Summit White or (GBA) Black.</p> | A ¹ | A ¹ | A ¹ | A ¹ | A ² | A ² | -- |
| WRS | | <p>RS Package, includes dark tint LED tail lamps, RS-specific grilles, and Black front and rear bowties</p> <p>1 - Also includes (RQ9) 20" 5-split spoke premium Gray-painted, machined-face aluminum wheels. Wheels are upgradeable to RTJ/RTH/WR1/5K9, or upgraded to package specific wheels.</p> | A ¹ | A ¹ | A ¹ | A | -- | -- | -- |
| A9B | | <p>Satin Black Appearance Package, includes Satin Black outside mirrors and rear spoiler</p> | A | A | A | A | A | A | -- |
| PDL | | <p>NEW! Wild Cherry Design Package 1, includes (RY2) Black Metallic Hash Mark Stripes, LPO (5ZB) Camaro logo wheel center caps, LPO, (WR1/57W) 20" 5-split spoke polished forged wheels with Black star center cap and (VYW) premium carpeted floor mats with Camaro logo, LPO</p> <p>1 - Also includes (CG3) Camaro fender badge emblem. Requires exterior color (GSK) Wild Cherry Tintcoat and (WRS) RS Package. Wheel RPO is WR1.</p> <p>2 - Requires exterior color (GSK) Wild Cherry Tintcoat and (WRS) RS Package. Wheel RPO is WR1.</p> <p>3 - Also includes (CG3) Camaro fender badge emblem. Requires exterior color (GSK) Wild Cherry Tintcoat. Wheel RPO is 57W.</p> | A ¹ | A ¹ | A ¹ | A ² | A ³ | A ³ | -- |

| ADDITIONAL OPTIONS | | | | | | | | | | |
|--------------------|--------------------|-------------------------------------------------------------------------------------------------------------------------------------------------------------------------------------------------------------------------------------------------------------------------------------------------------------------------------------------------------------------------------------------------------------------------------------------------------------------------------------------------------------------------------------------------------------------------------------------------------|------------------|------------------|------------------|------------------|------------------|------------------|------------------|-------------|
| Free Flow RPO Code | Ref. Only RPO Code | Description | 1LT | 2LT | 3LT | LT1 | 1SS | 2SS | ZL1 | |
| | | | Convertible | Convertible | Convertible | Convertible | Convertible | Convertible | Convertible | Convertible |
| | | | 1AG67 | 1AH67 | 1AH67 | 1AJ67 | 1AJ67 | 1AK67 | 1AL67 | |
| | | | 1LT | 2LT | 3LT | 1LZ | 1SS | 2SS | 1SE | |
| PDN | | NEW! Wild Cherry Design Package 2 , includes (PDL) Wild Cherry Design Package 1, (SOU) Black sueded knee pads, LPO, (VQL) Fuel filler door in Black with visible carbon fiber insert, LPO, (VTD) Carbon Flash Metallic, second generation Ground Effects, LPO and (DUU/DUV/DW8) Center Stripe 1 - Requires exterior color (GSK) Wild Cherry Tintcoat and the selection of either (DUU) Black Center Stripe or (DUV) Silver Center Stripe. 2 - Requires exterior color (GSK) Wild Cherry Tintcoat and the selection of either (DW8) Black Metallic Center Stripe or (DUV) Silver Center Stripe. | -- | A ¹ | A ¹ | -- | -- | A ² | -- | |
| P3H | | Bowties , Black, front and rear 1 - Not available with (WRS) RS Package. | A ¹ | A ¹ | A ¹ | -- | -- | -- | -- | |
| CG3 | | Emblem , Camaro fender badge 1 - Not available with (WBL) Redline Edition. | A ¹ | A ¹ | A ¹ | -- | A ¹ | A ¹ | -- | |
| CFW | | Hood insert , visible Carbon Fiber weave | -- | -- | -- | -- | -- | -- | A | |
| VK3 | | License plate bracket , front 1 - Will be forced on orders with ship-to states that require a front license plate. | A ¹ | A ¹ | A ¹ | A ¹ | A ¹ | A ¹ | A ¹ | |
| PCJ | | LPO, Dark Tint Rear Lighting Package , includes (62O) Clear CHMSL, LPO and (SCY) Dark finish tail lamps, LPO 1 - Not available with (WRS) RS Package or (B9M) Dark tint tail lamps. | A/D ¹ | A/D ¹ | A/D ¹ | -- | -- | -- | -- | |
| PCL | | LPO, Black Wheel Lug Nuts and Locks Package , includes (SPZ) Black wheel locks, LPO and (SPY) Black lug nuts, LPO 1 - Not available with (SFE) wheel locks, LPO. | A/D ¹ | A/D ¹ | A/D ¹ | A/D ¹ | A/D ¹ | A/D ¹ | A/D ¹ | |
| 5VM | | LPO, Ground Effects Package 1 - Requires (WRS) RS Package and exterior color (G9K) Satin Steel Metallic, (GAZ) Summit White or (GBA) Black. Not available with RMH, RZ3, VRV, VTD. 2 - Requires exterior color (G9K) Satin Steel Metallic, (GAZ) Summit White or (GBA) Black. Not available with RMH, RZ3, VRV, VTD. | A/D ¹ | A/D ¹ | A/D ¹ | A/D ² | A/D ² | A/D ² | -- | |
| VTD | | LPO, Ground effects , Carbon Flash Metallic, second generation 1 - Not available with 5VM, RMH, RZ3 or VRV. | A/D ¹ | A/D ¹ | A/D ¹ | A/D ¹ | A/D ¹ | A/D ¹ | -- | |
| RIK | | LPO, Black front and rear bowtie emblems 1 - Not available with (WRS) RS Package, (R88) Front illuminated and rear non-illuminated bowtie emblems in Black, LPO or (P3H) Black front and rear bowties. | A/D ¹ | A/D ¹ | A/D ¹ | -- | -- | -- | -- | |

| ADDITIONAL OPTIONS | | | | | | | | | | |
|--------------------|--------------------|---------------------------------------------------------------------------------------------------------------------------------------------------------------------------------------------------------------------------------------------------------------------------------------------------------------------|------------------|------------------|------------------|------------------|------------------|------------------|------------------|-------------|
| Free Flow RPO Code | Ref. Only RPO Code | Description | 1LT | 2LT | 3LT | LT1 | 1SS | 2SS | ZL1 | |
| | | | Convertible | Convertible | Convertible | Convertible | Convertible | Convertible | Convertible | Convertible |
| | | | 1AG67 | 1AH67 | 1AH67 | 1AJ67 | 1AJ67 | 1AK67 | 1AL67 | |
| | | | 1LT | 2LT | 3LT | 1LZ | 1SS | 2SS | 1SE | |
| R88 | | LPO, Front illuminated and rear non-illuminated bowtie emblems in Black 1 - Not available with (RIK) Black front and rear bowtie emblems, LPO or (P3H) Black front and rear bowties. | A/D ¹ | A/D ¹ | A/D ¹ | A/D | -- | -- | -- | |
| RZ3 | | LPO, Front splitter 1 - Requires (WRS) RS Package and exterior color (G9K) Satin Steel Metallic, (GAZ) Summit White or (GBA) Black. Not available with 5VM, RMH or VTD. 2 - Requires exterior color (G9K) Satin Steel Metallic, (GAZ) Summit White or (GBA) Black. Not available with 5VM, RMH or VTD. | A/D ¹ | A/D ¹ | A/D ¹ | A/D ² | A/D ² | A/D ² | -- | |
| SL2 | | LPO, Front fascia extension, Satin Black, second generation 1 - Not available with 5VM, RMH, RZ3 or VTD. | A/D ¹ | A/D ¹ | A/D ¹ | A/D ¹ | A/D ¹ | A/D ¹ | -- | |
| RIN | | LPO, Camaro logo fender badge 1 - Not available with CG3, SFZ, WBL. | A/D ¹ | A/D ¹ | A/D ¹ | -- | A/D ¹ | A/D ¹ | -- | |
| SFZ | | LPO, Camaro fender badge, Black 1 - Not available with CG3, RIN, WBL. | A/D ¹ | A/D ¹ | A/D ¹ | -- | A/D ¹ | A/D ¹ | -- | |
| VQL | | LPO, Fuel filler door in Black with visible carbon fiber insert | A/D | A/D | A/D | A/D | A/D | A/D | A/D | |
| VTU | | LPO, Fuel filler door in Black with Gloss Black insert | A/D | A/D | A/D | A/D | A/D | A/D | A/D | |
| W0D | | LPO, Fuel filler door in Black with Red Hot insert 1 - Not available with exterior color (G16) Crush, (GKK) Riverside Blue Metallic, (GKO) Shock or (GSK) Wild Cherry Tintcoat. | A/D ¹ | A/D ¹ | A/D ¹ | A/D ¹ | A/D ¹ | A/D ¹ | A/D ¹ | |
| W0E | | LPO, Fuel filler door in Black with Silver Ice Metallic insert | A/D | A/D | A/D | A/D | A/D | A/D | A/D | |
| RZB | | LPO, Black lower grille with Red Hot inserts 1 - Not available with RO1, RO2 or exterior colors (G16) Crush, (GKK) Riverside Blue Metallic, (GKO) Shock or (GSK) Wild Cherry Tintcoat. | A/D ¹ | A/D ¹ | A/D ¹ | -- | -- | -- | -- | |
| RO1 | | LPO, Black lower grille with Silver-painted inserts 1 - Not available with (RO2) Black lower grille with Gloss Black inserts, LPO. | A/D ¹ | A/D ¹ | A/D ¹ | -- | -- | -- | -- | |
| RO2 | | LPO, Black lower grille with Gloss Black inserts 1 - Not available with (RO1) Black lower grille with Silver-painted inserts, LPO. | A/D ¹ | A/D ¹ | A/D ¹ | -- | -- | -- | -- | |

| ADDITIONAL OPTIONS | | | | | | | | | |
|--------------------|--------------------|------------------------------------------------------------------------------------------------------------------------------------------------------|------------------|------------------|------------------|------------------|------------------|------------------|-------------|
| Free Flow RPO Code | Ref. Only RPO Code | Description | 1LT | 2LT | 3LT | LT1 | 1SS | 2SS | ZL1 |
| | | | Convertible | Convertible | Convertible | Convertible | Convertible | Convertible | Convertible |
| | | | 1AG67 | 1AH67 | 1AH67 | 1AJ67 | 1AJ67 | 1AK67 | 1AL67 |
| | | | 1LT | 2LT | 3LT | 1LZ | 1SS | 2SS | 1SE |
| STI | | LPO, Satin Black rocker moldings 1 - Not available with 5VM, RMH, RZ3, VRV, VTD. | A/D ¹ | A/D ¹ | A/D ¹ | A/D ¹ | A/D ¹ | A/D ¹ | -- |
| RMH | | LPO, Front splitter, Carbon Flash Metallic 1 - Not available with 5VM, RZ3, VTD. | A/D ¹ | A/D ¹ | A/D ¹ | A/D ¹ | A/D ¹ | A/D ¹ | -- |
| VRV | | LPO, Body-color painted splash guards 1 - Not available with 5VM, RMH, RZ3, STI, VTD or exterior colors (G16) Crush and (GKO) Shock. | A/D ¹ | A/D ¹ | A/D ¹ | A/D ¹ | A/D ¹ | A/D ¹ | -- |
| RY2 | | LPO, Black Metallic Hash Mark Stripes | A/D | A/D | A/D | A/D | A/D | A/D | -- |
| VPO | | LPO, Gray Hash Mark Stripes | A/D | A/D | A/D | A/D | A/D | A/D | -- |
| SNG | | LPO, Red Hash Mark Stripes 1 - Not available with exterior color (GSK) Wild Cherry Tintcoat. | A/D ¹ | A/D ¹ | A/D ¹ | A/D ¹ | A/D ¹ | A/D ¹ | -- |
| SF9 | | LPO, Blue Hash Mark Stripes 1 - Not available with exterior colors (G7C) Red Hot, (GKK) Riverside Blue Metallic or (GSK) Wild Cherry Tintcoat. | A/D ¹ | A/D ¹ | A/D ¹ | A/D ¹ | A/D ¹ | A/D ¹ | -- |
| SHQ | | LPO, Silver Hash Mark Stripes | A/D | A/D | A/D | A/D | A/D | A/D | -- |
| SFC | | LPO, White Pearl Hash Mark Stripes | A/D | A/D | A/D | A/D | A/D | A/D | -- |
| SHU | | LPO, Satin Black Hood Stripe with Red Hot Hash Mark | A/D | A/D | A/D | A/D | A/D | A/D | -- |
| SHS | | LPO, Satin Black Hood Stripe with Silver Ice Metallic Hash Mark | A/D | A/D | A/D | A/D | A/D | A/D | -- |
| SB7 | | LPO, Red Spider Stripes 1 - Requires (19T) Black convertible top. Not available with exterior colors (G7C) Red Hot or (GSK) Wild Cherry Tintcoat. | A/D ¹ | A/D ¹ | A/D ¹ | A/D ¹ | A/D ¹ | A/D ¹ | -- |
| SB9 | | LPO, Black Spider Stripes | A/D | A/D | A/D | A/D | A/D | A/D | -- |
| SNB | | LPO, Silver Spider Stripes | A/D | A/D | A/D | A/D | A/D | A/D | -- |
| SNC | | LPO, White Pearl Spider Stripes 1 - Not available with exterior color (GAZ) Summit White. | A/D ¹ | A/D ¹ | A/D ¹ | A/D ¹ | A/D ¹ | A/D ¹ | -- |
| SNJ | | LPO, Black Metallic Stinger Stripe | A/D | A/D | A/D | A/D | A/D | A/D | -- |
| SFA | | LPO, Red Stinger Stripe 1 - Not available with exterior color (G16) Crush, (G7C) Red Hot, (GKO) Shock or (GSK) Wild Cherry Tintcoat. | A/D ¹ | A/D ¹ | A/D ¹ | A/D ¹ | A/D ¹ | A/D ¹ | -- |
| SNE | | LPO, Silver Stinger Stripe | A/D | A/D | A/D | A/D | A/D | A/D | -- |
| SNM | | LPO, White Pearl Stinger Stripe 1 - Not available with exterior color (GAZ) Summit White. | A/D ¹ | A/D ¹ | A/D ¹ | A/D ¹ | A/D ¹ | A/D ¹ | -- |

| ADDITIONAL OPTIONS | | | | | | | | | |
|--------------------|--------------------|-------------------------------------------------------------------------------------------------------------------------------------------------------------------------------------------------------------------------------------------------------------------------------------------------------|----------------------|----------------------|----------------------|----------------------|----------------------|----------------------|----------------------|
| Free Flow RPO Code | Ref. Only RPO Code | Description | 1LT | 2LT | 3LT | LT1 | 1SS | 2SS | ZL1 |
| | | | Convertible 1AG67 | Convertible 1AH67 | Convertible 1AH67 | Convertible 1AJ67 | Convertible 1AJ67 | Convertible 1AK67 | Convertible 1AL67 |
| | | | 1LT | 2LT | 3LT | 1LZ | 1SS | 2SS | 1SE |
| SCY | | LPO, Dark finish tail lamps 1 - Not available with (B9M) dark tint tail lamps or (WRS) RS Package. | A/D ¹ | A/D ¹ | A/D ¹ | -- | -- | -- | -- |
| RWH | | LPO, Indoor vehicle cover , Black with Camaro logo | A/D | A/D | A/D | A/D | A/D | A/D | -- |
| RWH | | LPO, Indoor vehicle cover , Black with ZL1 logo | -- | -- | -- | -- | -- | -- | A/D |
| VDN | | LPO, Indoor vehicle cover , Gray | A/D | A/D | A/D | A/D | A/D | A/D | A/D |
| SL1 | | LPO, Indoor vehicle cover , Red | A/D | A/D | A/D | A/D | A/D | A/D | A/D |
| RWJ | | LPO, Outdoor vehicle cover , Black | A/D | A/D | A/D | A/D | A/D | A/D | A/D |
| VRU | | LPO, Outdoor vehicle cover , Gray | A/D | A/D | A/D | A/D | A/D | A/D | A/D |
| RNX | | LPO, Outdoor vehicle cover , Red | A/D | A/D | A/D | A/D | A/D | A/D | A/D |
| VGS | | LPO, Outdoor vehicle cover , Gray, ZL1 logo | -- | -- | -- | -- | -- | -- | A/D |
| RXH | | LPO, Silver RS wheel center caps 1 - Requires (WRS) RS Package. Not available with RTH, SHL. | A/D ¹ | A/D ¹ | A/D ¹ | -- | -- | -- | -- |
| VW9 | | LPO, Black SS wheel center caps | -- | -- | -- | -- | A/D | A/D | -- |
| RXJ | | LPO, Silver SS wheel center caps 1 - Not available with 56H, 56V. | -- | -- | -- | -- | A/D ¹ | A/D ¹ | -- |
| 5ZB | | LPO, Camaro logo wheel center caps 1 - Not available with RTH, SHL. 2 - Not available with (RTH) 20" 5-spoke Carbon Flash painted aluminum wheels. 3 - Not available with (56H) SS 20" (50.8 cm) 5-spoke gloss Black wheels with Red stripe, LPO. 4 - Not available with 56H, 56V. | A/D ¹ | A/D ¹ | A/D ¹ | A/D ² | A/D ³ | A/D ⁴ | -- |
| 5ZD | | LPO, Wheel center caps , Performance 1 - Not available with SHL, SKW. 2 - Not available with 56H, 56M. | A/D ¹ | A/D ¹ | A/D ¹ | A/D | A/D ² | A/D ² | -- |
| SFE | | LPO, Wheel locks 1 - (SFE) Wheel locks is included with all LPO wheels. | A/D ¹ | A/D ¹ | A/D ¹ | A/D ¹ | A/D ¹ | A/D ¹ | A/D |
| SPZ | | LPO, Black wheel locks 1 - Not available with (SFE) wheel locks, LPO. | A/D ¹ | A/D ¹ | A/D ¹ | A/D ¹ | A/D ¹ | A/D ¹ | A/D ¹ |
| SPY | | LPO, Black lug nuts 1 - Not available with (SFE) wheel locks, LPO. | A/D ¹ | A/D ¹ | A/D ¹ | A/D ¹ | A/D ¹ | A/D ¹ | A/D ¹ |

| ADDITIONAL OPTIONS | | | | | | | | | |
|--------------------|--------------------|-----------------------------------------------------------------------------------------------------------------------------------------------------------------------------------------------------------------------------------------------------------------------------------------------------------------------------------------------------------------------------------------------------------------------------------------------------------------------------------------------------------------------|--------------------------|--------------------------|--------------------------|--------------------------|--------------------------|--------------------------|--------------------------|
| Free Flow RPO Code | Ref. Only RPO Code | Description | 1LT Convertible 1AG67 | 2LT Convertible 1AH67 | 3LT Convertible 1AH67 | LT1 Convertible 1AJ67 | 1SS Convertible 1AJ67 | 2SS Convertible 1AK67 | ZL1 Convertible 1AL67 |
| | | | 1LT | 2LT | 3LT | 1LZ | 1SS | 2SS | 1SE |
| SHL | | LPO, 20" (50.8 cm) 5-spoke gloss Black wheels with Red outline stripe. When ordering SHL with other optional wheels, 2 complete sets of wheels are being ordered. Please ensure customer desires both sets of wheels before proceeding to place order with LPO wheels SHL. 1 - Includes (VWD) Gloss Black wheel center caps with Silver bowtie, LPO. Not available with (SFE) wheel locks, LPO or (REG) 18" Silver-painted aluminum wheels. 2 - Not available with (SFE) wheel locks, LPO. | A/D ¹ | A/D ¹ | A/D ¹ | A/D ² | -- | -- | -- |
| 56H | | LPO, SS 20" (50.8 cm) 5-spoke gloss Black wheels with Red stripe. When ordering 56H with other optional wheels, 2 complete sets of wheels are being ordered. Please ensure customer desires both sets of wheels before proceeding to place order with LPO wheels 56H. Includes (VWD) Gloss Black wheel center caps with Silver bowtie, LPO. 1 - Not available with (SFE) wheel locks, LPO. | -- | -- | -- | -- | A/D ¹ | A/D ¹ | -- |
| SKW | | LPO, 20" (50.8 cm) 5-split spoke machined-face wheels. When ordering SKW with other optional wheels, 2 complete sets of wheels are being ordered. Please ensure customer desires both sets of wheels before proceeding to place order with LPO wheels SKW. 1 - Not available with (SFE) wheel locks, LPO or (REG) 18" Silver-painted aluminum wheels. 2 - Not available with (SFE) wheel locks, LPO. | A/D ¹ | A/D ¹ | A/D ¹ | A/D ² | -- | -- | -- |
| 56M | | LPO, SS 20" (50.8 cm) 5-split spoke machined-face wheels. When ordering 56M with other optional wheels, 2 complete sets of wheels are being ordered. Please ensure customer desires both sets of wheels before proceeding to place order with LPO wheels 56M. 1 - Not available with (SFE) wheel locks, LPO. | -- | -- | -- | -- | A/D ¹ | A/D ¹ | -- |
| 5JX | | LPO, LT 20" (50.8 cm) 5-split spoke Satin Black wheels. When ordering 5JX with other optional wheels, 2 complete sets of wheels are being ordered. Please ensure customer desires both sets of wheels before proceeding to place order with LPO wheels 5JX. 1 - Not available with (SFE) wheel locks, LPO or (REG) 18" Silver-painted aluminum wheels. 2 - Not available with (SFE) wheel locks, LPO. | A/D ¹ | A/D ¹ | A/D ¹ | A/D ² | -- | -- | -- |

| ADDITIONAL OPTIONS | | | | | | | | | | |
|--------------------|--------------------|----------------------------------------------------------------------------------------------------------------------------------------------------------------------------------------------------------------------------------------------------------------------------------------------------------------------|----------------|----------------|----------------|----------------|------------------|------------------|----------------|-------------|
| Free Flow RPO Code | Ref. Only RPO Code | Description | 1LT | 2LT | 3LT | LT1 | 1SS | 2SS | ZL1 | |
| | | | Convertible | Convertible | Convertible | Convertible | Convertible | Convertible | Convertible | Convertible |
| | | | 1AG67 | 1AH67 | 1AH67 | 1AJ67 | 1AJ67 | 1AK67 | 1AL67 | |
| | | | 1LT | 2LT | 3LT | 1LZ | 1SS | 2SS | 1SE | |
| 57S | | LPO, SS 20" (50.8 cm) 5-split spoke Satin Black wheels. When ordering 57S with other optional wheels, 2 complete sets of wheels are being ordered. Please ensure customer desires both sets of wheels before proceeding to place order with LPO wheels 57S. 1 - Not available with (SFE) wheel locks, LPO. | -- | -- | -- | -- | A/D ¹ | A/D ¹ | -- | |
| VLN | | LPO, Windscreen | A/D | A/D | A/D | A/D | A/D | A/D | A/D | |
| J6L | | Calipers, Orange-painted 1 - Includes (J55) Brembo 4-piston front, performance brakes. Not available REG/5K9 wheels. 2 - Not available with (57V) 20" Caliente wheels. | A ¹ | A ¹ | A ¹ | A | A ² | A ² | -- | |
| J6F | | Calipers, Red-painted 1 - Includes (J55) Brembo 4-piston front, performance brakes. Not available REG/5K9 wheels. 2 - Not available with (57V) 20" Caliente wheels. | A ¹ | A ¹ | A ¹ | A | A ² | A ² | -- | |
| DUU | | Black Center Stripe 1 - Not available with exterior color (GBA) Black. | A ¹ | A ¹ | A ¹ | -- | -- | -- | -- | |
| DW8 | | Black Metallic Center Stripe | -- | -- | -- | A | A | A | -- | |
| DVV | | Black Metallic Center Stripe 1 - Decklid and spoiler only, Not available with (CFW) Carbon Fiber weave hood insert. | -- | -- | -- | -- | -- | -- | A ¹ | |
| DUV | | Silver Center Stripe | A | A | A | A | A | A | -- | |
| FE9 | | Emissions, Federal requirements | A | A | A | A | A | A | A | |
| DW7 | | White Pearl Center Stripe 1 - Not available with exterior color (GAZ) Summit White. | A ¹ | A ¹ | A ¹ | A ¹ | A ¹ | A ¹ | -- | |
| C3O | | Black Rally Stripes 1 - Not available with exterior color (GBA) Black. | A ¹ | A ¹ | A ¹ | -- | -- | -- | -- | |
| YF5 | | Emissions, California state requirements | A | A | A | A | A | A | A | |
| BO4 | | Black Metallic Rally Stripes | -- | -- | -- | A | A | A | -- | |
| NE1 | | Emissions, Connecticut, Delaware, Maine, Maryland, Massachusetts, New Jersey, New York, Oregon, Pennsylvania, Rhode Island, Vermont and Washington state requirements | A | A | A | A | A | A | A | |

| ADDITIONAL OPTIONS | | | | | | | | | |
|--------------------|--------------------|--------------------------------------------------------------------------------------------------------------------------------------------------------------------------------------------------------------------------------------------------------------------------------------------------------------------------------------------------------------------------------------------------------------------------------------------------------------------------------------------------------------------------------------------------------------------------------------------------------------------------------------------------------------------------------------------|----------------|----------------|----------------|----------------|----------------|----------------|----------------|
| Free Flow RPO Code | Ref. Only RPO Code | Description | 1LT | 2LT | 3LT | LT1 | 1SS | 2SS | ZL1 |
| | | | Convertible | Convertible | Convertible | Convertible | Convertible | Convertible | Convertible |
| | | | 1AG67 | 1AH67 | 1AH67 | 1AJ67 | 1AJ67 | 1AK67 | 1AL67 |
| | | | 1LT | 2LT | 3LT | 1LZ | 1SS | 2SS | 1SE |
| NB8 | | Emissions override , California (allows a dealer in states that require California emissions - California, Connecticut, Delaware, Maryland, Massachusetts, New Jersey, New York, Oregon, Pennsylvania, Rhode Island or Washington - to order Federal emissions for a vehicle that will be registered in a state that has Federal emission requirements). Do not use for vehicles that will be registered in California, Connecticut, Delaware, Maryland, Massachusetts, New Jersey, New York, Oregon, Pennsylvania, Rhode Island or Washington. 1 - Requires (FE9) Federal emissions requirements. Not available in Maine or Vermont. | A ¹ | A ¹ | A ¹ | A ¹ | A ¹ | A ¹ | A ¹ |
| C2U | | Silver Rally Stripes | A | A | A | A | A | A | -- |
| NB9 | | Emissions override , state-specific (for dealers ordering vehicles in (YF5) or (NE1) emission states - California, Connecticut, Delaware, Maine, Maryland, Massachusetts, New Jersey, New York, Oregon, Pennsylvania, Rhode Island, Vermont and Washington) 1 - Allows a California dealer (YF5 emissions) to order (NE1) emissions with (NB9) emissions override code for registration in (NE1) states; or, a Connecticut, Delaware, Maine, Maryland, Massachusetts, New Jersey, New York, Oregon, Pennsylvania, Rhode Island, Vermont and Washington dealer (NE1 emissions) to order (YF5) emissions with (NB9) emissions override code for registration in California. | A ¹ | A ¹ | A ¹ | A ¹ | A ¹ | A ¹ | A ¹ |
| BO3 | | White Pearl Rally Stripes 1 - Not available with exterior color (GAZ) Summit White. | A ¹ | A ¹ | A ¹ | A ¹ | A ¹ | A ¹ | -- |
| NC7 | | Emissions override , Federal (for vehicles ordered by dealers in Federal emission states with (YF5) or (NE1) emissions - Not required for vehicles being shipped to California, Connecticut, Delaware, Maine, Maryland, Massachusetts, New Jersey, New York, Oregon, Pennsylvania, Rhode Island, Vermont or Washington) 1 - Requires (YF5) California state emissions requirements or (NE1) Connecticut, Delaware, Maine, Maryland, Massachusetts, New Jersey, New York, Oregon, Pennsylvania, Rhode Island, Vermont or Washington state emissions requirements. | A ¹ | A ¹ | A ¹ | A ¹ | A ¹ | A ¹ | A ¹ |

| ADDITIONAL OPTIONS | | | | | | | | | |
|--------------------|--------------------|---------------------------------------------------------------------------------------------------------------------------------------------------------------------------|----------------------|----------------------|----------------------|----------------------|----------------------|----------------------|----------------------|
| Free Flow RPO Code | Ref. Only RPO Code | Description | 1LT | 2LT | 3LT | LT1 | 1SS | 2SS | ZL1 |
| | | | Convertible 1AG67 | Convertible 1AH67 | Convertible 1AH67 | Convertible 1AJ67 | Convertible 1AJ67 | Convertible 1AK67 | Convertible 1AL67 |
| | | | 1LT | 2LT | 3LT | 1LZ | 1SS | 2SS | 1SE |
| B9M | | Tail lamps, dark tint 1 - Not available with (WRS) RS Package since it already includes dark tint tail lamps. | A ¹ | A ¹ | A ¹ | -- | -- | -- | -- |
| LGX | | Engine, 3.6L V6, DI, VVT (335 hp [250 kW] @ 6800 rpm, 284 lb-ft of torque [383.4 N-m] @ 5300 rpm) | A | A | A | -- | -- | -- | -- |
| K05 | | Engine block heater | A | A | A | -- | -- | -- | -- |
| NPP | | Exhaust, dual-mode 1 - Requires (LGX) 3.6L V6 engine. | A ¹ | A ¹ | A ¹ | A | A | A | S |
| 5WF | | LPO, Battery Protection Package | A/D | A/D | A/D | A/D | A/D | A/D | A/D |
| PCU | | LPO, 4-Corner Brembo brake upgrade system in Red, includes (5LQ) 6 Piston Front Brake Kit, LPO and (RX0) 4 Piston Brembo rear calipers in Red, LPO | -- | -- | -- | -- | A/D | A/D | -- |
| 5LQ | | LPO, 6 Piston Front Brake Kit, includes Brembo Red brake calipers, slotted rotors and pad upgrade. Front brakes only. | A/D | A/D | A/D | A/D | A/D | A/D | -- |
| RTJ | | Wheels, 20" (50.8 cm) 5-spilt spoke bright Silver-painted aluminum 1 - Requires (WRS) RS Package. | A ¹ | A ¹ | A ¹ | A | -- | -- | -- |
| RVK | | LPO, Performance air intake 1 - Not available at start of production. | -- | -- | -- | A/D ¹ | A/D ¹ | A/D ¹ | -- |
| RTH | | Wheels, 20" (50.8 cm) 5-spoke Carbon Flash painted aluminum | A | A | A | A | -- | -- | -- |
| RQ9 | | Wheels, 20" (50.8 cm) 5-split spoke premium Gray-painted, machined-face aluminum 1 - Included and only available with (WRS) RS Package. | A ¹ | A ¹ | A ¹ | A | -- | -- | -- |
| SCG | | LPO, 6.2L Strut tower brace in Black | -- | -- | -- | A/D | A/D | A/D | -- |
| WR1 | | Wheels, 20" (50.8 cm) 5-split spoke polished forged with Black star center cap 1 - Requires (WRS) RS Package. | A ¹ | A ¹ | A ¹ | A | -- | -- | -- |
| 5K9 | | Wheels, 20" (50.8 cm) Caliente 1 - Requires (WRS) RS Package. | A ¹ | A ¹ | A ¹ | A | -- | -- | -- |
| SG3 | | LPO, Lowering suspension upgrade system 1 - Not available with (REG) 18" Silver-painted aluminum wheels. 2 - Not available with (F55) Magnetic Ride Control. | A/D ¹ | A/D ¹ | A/D ¹ | A/D | A/D ² | A/D ² | -- |
| F55 | | Magnetic Ride Control | -- | -- | -- | -- | A | A | S |

| ADDITIONAL OPTIONS | | | | | | | | | |
|--------------------|--------------------|------------------------------------------------------------------------------------------------------------------------------------------------------------|----------------|----------------|----------------|-------------|-------------|-------------|-------------|
| Free Flow RPO Code | Ref. Only RPO Code | Description | 1LT | 2LT | 3LT | LT1 | 1SS | 2SS | ZL1 |
| | | | Convertible | Convertible | Convertible | Convertible | Convertible | Convertible | Convertible |
| | | | 1AG67 | 1AH67 | 1AH67 | 1AJ67 | 1AJ67 | 1AK67 | 1AL67 |
| | | | 1LT | 2LT | 3LT | 1LZ | 1SS | 2SS | 1SE |
| 56R | | Wheels , 20" x 8.5" (50.8 cm x 21.6 cm) front and 20" x 9.5" (50.8 cm x 24.1 cm) rear 5-split spoke premium Gray-painted machined-face aluminum | -- | -- | -- | -- | A | A | -- |
| 56W | | Wheels , 20" x 8.5" (50.8 cm x 21.6 cm) front and 20" x 9.5" (50.8 cm x 24.1 cm) rear 5-split spoke bright Silver-painted aluminum | -- | -- | -- | -- | A | A | -- |
| 56V | | Wheels , 20" x 8.5" (50.8 cm x 21.6 cm) front and 20" x 9.5" (50.8 cm x 24.1 cm) rear 5-spoke Carbon Flash painted aluminum | -- | -- | -- | -- | A | A | -- |
| 57W | | Wheels , 20" x 8.5" (50.8 cm x 21.6 cm) front and 20" x 9.5" (50.8 cm x 24.1 cm) rear 5-split spoke polished forged with Black star center cap | -- | -- | -- | -- | A | A | -- |
| 57V | | Wheels , 20" x 8.5" (50.8 cm x 21.6 cm) front and 20" x 9.5" (50.8 cm x 24.1 cm) rear Caliente | -- | -- | -- | -- | A | A | -- |
| MX0 | | Transmission , 8-speed automatic, includes transmission oil cooler and (BTV) remote vehicle starter system 1 - Requires (LTG) 2.0L Turbo engine. | A ¹ | A ¹ | A ¹ | -- | -- | -- | -- |
| MX0 | | Transmission , 10-speed automatic, includes transmission oil cooler and (BTV) remote vehicle starter system 1 - Requires (LGX) 3.6L V6 engine. | A ¹ | A ¹ | A ¹ | A | A | A | A |

S = Standard Equipment A = Available --(dashes) = Not Available D = ADI Available

■ = Included in Equipment Group □ = Included in Equipment Group but upgradeable

No deletions allowed to Equipment Groups. Additional options may be added; check ordering information section for compatibility

Codes listed in the shaded column titled Ref. Only RPO Code are for internal use only and should not be ordered.

| Free Flow RPO Code | Ref. Only RPO Code | Description | 1LS Coupe 1AG37 | 1LT Coupe 1AG37 | 2LT Coupe 1AH37 | 3LT Coupe 1AH37 | LT1 Coupe 1AJ37 | 1SS Coupe 1AJ37 | 2SS Coupe 1AK37 | ZL1 Coupe 1AL37 |
|-----------------------------|-----------------------------|--------------------|-----------------------|-----------------------|-----------------------|-----------------------|-----------------------|-----------------------|-----------------------|-----------------------|
| | | | 1LS | 1LT | 2LT | 3LT | 1LZ | 1SS | 2SS | 1SE |
| | | Standard Equipment | ■ | ■ | ■ | ■ | ■ | ■ | ■ | ■ |

S = Standard Equipment A = Available --(dashes) = Not Available D = ADI Available

■ = Included in Equipment Group □ = Included in Equipment Group but upgradeable

Codes listed in the shaded column titled Ref. Only RPO Code are for internal use only and should not be ordered.

| Free Flow RPO Code | Ref. Only RPO Code | Description | 1LS Coupe | 1LT Coupe | 2LT Coupe | 3LT Coupe | LT1 Coupe | 1SS Coupe | 2SS Coupe | ZL1 Coupe |
|--------------------|--------------------|------------------------------------------------------------------------------------------------------------------------------------------------------------------------------------------------------------------------------------------------------------------------------------------------------------------------------------------------------------------------------------------------------------------------------------------------------------------------------|----------------|----------------|----------------|----------------|----------------|----------------|----------------|----------------|
| | | | 1AG37 | 1AG37 | 1AH37 | 1AH37 | 1AJ37 | 1AJ37 | 1AK37 | 1AL37 |
| | | | 1LS | 1LT | 2LT | 3LT | 1LZ | 1SS | 2SS | 1SE |
| Y3W | | Technology Package , includes (IOS) Chevrolet Infotainment 3 Plus system, 8" diagonal HD color touchscreen and (UQA) Bose premium speaker system | -- | A | A | -- | A | -- | -- | -- |
| | AYG | Airbags , dual-stage frontal, thorax side-impact and knee, driver and front passenger, and head curtain side-impact, includes Passenger Sensing System 1 - Always use seat belts and child restraints. Children are safer when properly secured in a rear seat in the appropriate child restraint. See the Owner's Manual for more information. | S ¹ | S ¹ | S ¹ | S ¹ | S ¹ | S ¹ | S ¹ | S ¹ |
| | C68 | Air conditioning , single-zone automatic climate control | S | S | -- | -- | S | S | -- | -- |
| | CJ2 | Air conditioning , dual-zone automatic climate control with individual climate settings for driver and dedicated passenger controls and outside temperature display | -- | -- | S | S | -- | -- | S | S |
| | IOR | Audio system , Chevrolet Infotainment 3 system, 7" diagonal color touchscreen, AM/FM stereo. Additional features for compatible phones include: Bluetooth audio streaming for 2 active devices, voice command pass-through to phone, Apple CarPlay and Android Auto capable. | S | S | S | -- | S | -- | -- | -- |
| | IOS | Audio system , Chevrolet Infotainment 3 Plus system, 8" diagonal HD color touchscreen, AM/FM stereo, Bluetooth audio streaming for 2 active devices, Apple CarPlay and Android Auto capable, voice recognition, in-vehicle apps, cloud connected personalization for select infotainment and vehicle settings. Subscription required for enhanced and connected services after trial period. 1 - Included and only available with (Y3W) Technology Package. | -- | A ¹ | A ¹ | S | A ¹ | S | S | S |

| Free Flow RPO Code | Ref. Only RPO Code | Description | 1LS Coupe 1AG37 | 1LT Coupe 1AG37 | 2LT Coupe 1AH37 | 3LT Coupe 1AH37 | LT1 Coupe 1AJ37 | 1SS Coupe 1AJ37 | 2SS Coupe 1AK37 | ZL1 Coupe 1AL37 |
|--------------------|--------------------|-----------------------------------------------------------------------------------------------------------------------------------------------------------------------------------------------------------------------------------------------------------------------------------------------------------------------------------------------------------------------------------------------------------------------------------------------------------------------------------------------------------------------------------------------------------------------------------------------------------------------------------------------------------------------------------------------------------------------------------------------------------------------------------------------------------------------------------------------------------------------------------------------------------------------------------------------------------------------------|-----------------|-----------------|-----------------|-----------------|-----------------|-----------------|-----------------|-----------------|
| | | | 1LS | 1LT | 2LT | 3LT | 1LZ | 1SS | 2SS | 1SE |
| IOT | | Audio system , Chevrolet Infotainment 3 Premium system with connected Navigation, 8" diagonal HD color touchscreen, AM/FM stereo, Bluetooth audio streaming for 2 active devices, Apple CarPlay and Android Auto capable, enhanced voice recognition, additional memory for in-vehicle apps, cloud connected personalization for select infotainment and vehicle settings. Subscription required for enhanced and connected services after trial period. | -- | -- | -- | A | -- | -- | A | A |
| | U2K | SiriusXM Radio , enjoy a 12-month All Access trial subscription with over 150 channels including commercial-free music, plus sports, news and entertainment. Plus listening on the SiriusXM app, online and at home on compatible connected devices is included, so you'll hear the best SiriusXM has to offer, anywhere life takes you. Welcome to the world of SiriusXM. 1 - IMPORTANT: The SiriusXM radio trial package is not provided on vehicles that are ordered for Fleet Daily Rental ("FDR") use. If you decide to continue service after your trial, the subscription plan you choose will automatically renew thereafter and you will be charged according to your chosen payment method at then-current rates. Fees and taxes apply. See the SiriusXM Customer Agreement at www.siriusxm.com for complete terms and how to cancel. All fees, content, features, and availability are subject to change. | -- | S ¹ | S ¹ | -- | S ¹ | -- | -- | -- |

| Free Flow RPO Code | Ref. Only RPO Code | Description | 1LS Coupe 1AG37 | 1LT Coupe 1AG37 | 2LT Coupe 1AH37 | 3LT Coupe 1AH37 | LT1 Coupe 1AJ37 | 1SS Coupe 1AJ37 | 2SS Coupe 1AK37 | ZL1 Coupe 1AL37 |
|--------------------|--------------------|---------------------------------------------------------------------------------------------------------------------------------------------------------------------------------------------------------------------------------------------------------------------------------------------------------------------------------------------------------------------------------------------------------------------------------------------------------------------------------------------------------------------------------------------------------------------------------------------------------------------------------------------------------------------------------------------------------------------------------------------------------------------------------------------------------------------------------------------------------------------------------------------------------------------------------------------------------------------------------------------------------------------------------------------------------------------------------------------------------------------------------------------------------------------------------------------------------------------------------------------------------------------------------------------------------------------------------------------------------------------------------------------------------------------------------------------------------------------------------------------------------------------------------------------------------------------------------------------------------------------------------------------------------------------------------------------------------------------------------------------------------------------------------------------------------------------------------------------------------------------------------------------------------------------------------------------------------------------------------------------------------------------------------------------------------------------------------------------------------------------------------------------------------------|-----------------|-----------------|-----------------|-----------------|-----------------|-----------------|-----------------|-----------------|
| | | | 1LS | 1LT | 2LT | 3LT | 1LZ | 1SS | 2SS | 1SE |
| | | <p>SiriusXM with 360L. Equipped with SiriusXM with 360L. Enjoy a 12-month trial subscription of the All Access package for the full 360L experience, with a greater variety of SiriusXM content, a more personalized experience and easier navigation. With the All Access package, you can also enjoy your favorites everywhere you go, with the SiriusXM app, online and at home on compatible connected devices.</p> <p>1 - Included and only available with (IOS) Chevrolet Infotainment 3 Plus system. IMPORTANT: The SiriusXM radio trial package is not provided on vehicles that are ordered for Fleet Daily Rental ("FDR") use. If you decide to continue service after your trial, the subscription plan you choose will automatically renew thereafter and you will be charged according to your chosen payment method at then-current rates. Fees and taxes apply. See the SiriusXM Customer Agreement at www.siriusxm.com for complete terms and how to cancel. All fees, content, features, and availability are subject to change. GM connected vehicle services vary by vehicle model and require active service plan, working electrical system, cell reception and GPS signal. See onstar.com for details and limitations.</p> <p>2 - IMPORTANT: The SiriusXM radio trial package is not provided on vehicles that are ordered for Fleet Daily Rental ("FDR") use. If you decide to continue service after your trial, the subscription plan you choose will automatically renew thereafter and you will be charged according to your chosen payment method at then-current rates. Fees and taxes apply. See the SiriusXM Customer Agreement at www.siriusxm.com for complete terms and how to cancel. All fees, content, features, and availability are subject to change. GM connected vehicle services vary by vehicle model and require active service plan, working electrical system, cell reception and GPS signal. See onstar.com for details and limitations.</p> | -- | A ¹ | A ¹ | S ² | A ¹ | S ² | S ² | S ² |
| | UQ3 | Audio system feature, 6-speaker system | S | S | S | -- | S | S | -- | -- |
| | UQA | Audio system feature, Bose premium 9-speaker system 1 - Included and only available with (Y3W) Technology Package. | -- | A ¹ | A ¹ | S | A ¹ | -- | S | S |
| | UPG | Bluetooth for phone | S | S | S | S | S | S | S | S |
| | | Compass display | S | S | S | S | S | S | S | S |
| | | Cruise control, electronic with set and resume speed, steering wheel mounted | S | S | S | S | S | S | S | S |

| Free Flow RPO Code | Ref. Only RPO Code | Description | 1LS Coupe 1AG37 | 1LT Coupe 1AG37 | 2LT Coupe 1AH37 | 3LT Coupe 1AH37 | LT1 Coupe 1AJ37 | 1SS Coupe 1AJ37 | 2SS Coupe 1AK37 | ZL1 Coupe 1AL37 |
|--------------------|--------------------|-----------------------------------------------------------------------------------------------------------------------------------------------------------------------------------------------------------------------------------------------------------------------------------------------------------------------------------------------|-----------------|-----------------|-----------------|-----------------|-----------------|-----------------|-----------------|-----------------|
| | | | 1LS | 1LT | 2LT | 3LT | 1LZ | 1SS | 2SS | 1SE |
| | | Cup holders , 2 front | S | S | S | S | S | S | S | S |
| | | Dead pedal , driver | S | S | S | S | S | S | S | S |
| | | Defogger , rear-window, electric | S | S | S | S | S | S | S | S |
| | | Door locks , power programmable with lockout protection | S | S | S | S | S | S | S | S |
| | UDD | Driver Information Center , color display | S | S | S | -- | S | -- | -- | -- |
| | UHS | Driver Information Center , enhanced, 8" diagonal multi-color re-configurable display | -- | -- | -- | S | -- | S | S | S |
| | B34 | Floor mats , carpeted front | S | S | S | S | S | S | S | S |
| | UEU | Forward Collision Alert 1 - Deleted when (UQT) Performance data and video recorder is ordered. | -- | -- | -- | S ¹ | -- | -- | S ¹ | S ¹ |
| | | Glovebox , lockable | S | S | S | S | S | S | S | S |
| | UV6 | Head-Up Display , with color digital readouts for vehicle speed, selected gear, G-Force, audio system information, high-beam indicator, compass, outside air temperature, tachometer, vehicle messages, Turn-by-Turn information and phone information 1 - Included and only available with (A1Y) SS 1LE Track Performance Package. | -- | -- | -- | S | -- | A ¹ | S | S |
| | BRJ | Adrenaline Red Interior Package , includes Black interior with Adrenaline Red front seat inserts, door inserts and stitching on front seats, doors, steering wheel, shifter and center console 1 - Not available with exterior color (G16) Crush, (GKK) Riverside Blue Metallic or (GKO) Shock. | -- | -- | A ¹ | A ¹ | -- | -- | A ¹ | -- |
| | BRD | Ceramic White Interior Package , includes Black interior with Ceramic White front seat inserts, door inserts and stitching on front seats, doors, steering wheel, shifter and center console | -- | -- | A | A | -- | -- | A | -- |
| | | Interior trim , aluminum accents on door trim and shifter cap | -- | -- | -- | S | -- | -- | S | S |
| | 3DL | Interior trim , carbon fiber instrument panel molding | -- | -- | -- | -- | -- | -- | -- | A |
| | ATH | Keyless Open and Start , includes 2 remote transmitters that enable automatic door unlock and open by touching door switch | S | S | S | S | S | S | S | S |
| | 2F5 | Knee pads , Red 1 - Not available with (H01) Kalahari interior. | -- | A | A ¹ | A ¹ | A | A | A ¹ | A |

| Free Flow RPO Code | Ref. Only RPO Code | Description | 1LS Coupe 1AG37 | 1LT Coupe 1AG37 | 2LT Coupe 1AH37 | 3LT Coupe 1AH37 | LT1 Coupe 1AJ37 | 1SS Coupe 1AJ37 | 2SS Coupe 1AK37 | ZL1 Coupe 1AL37 |
|--------------------|--------------------|-----------------------------------------------------------------------------------------------------------------------------------------------------------------------------------------------------------------------------------------------------------------------------------------------------------------------------------------------------------------------|------------------|------------------|------------------|------------------|------------------|------------------|------------------|-----------------|
| | | | 1LS | 1LT | 2LT | 3LT | 1LZ | 1SS | 2SS | 1SE |
| | | LATCH system (Lower Anchors and Tethers for CHildren), for child restraint seats | S | S | S | S | S | S | S | S |
| | | Lighting , front reading lamps | S | S | S | S | S | S | S | S |
| | C70 | Lighting , interior spectrum, 24 different color selections | -- | -- | -- | S | -- | -- | S | S |
| 5V6 | | LPO, Black Interior Appearance Package , includes (WGT) Black Interior Trim Kit, door accent trim, LPO and (S0U) Black sueded knee pads, LPO | A/D | A/D | A/D | -- | A/D | A/D | -- | -- |
| PCX | | LPO, Camaro Logo Package , includes (SH1) Embroidered center console lid with Camaro badge, LPO, (VYW) premium carpeted floor mats with Camaro logo, LPO and (RIN) Camaro logo fender badge, LPO 1 - Not available with CG3, PCN, SFZ, SH2. 2 - Not available with CG3, PCN, SFZ, SH2, VTF. 3 - Not available with BRJ, CG3, H01, PCN, SFZ, SH2, VTF. | A/D ¹ | A/D ² | A/D ³ | A/D ³ | -- | A/D ² | A/D ³ | -- |
| PCN | | LPO, Winter/Summer Floor Mats Package , includes (VYW) Premium carpeted floor mats, LPO and (VAV) All-weather floor mats, LPO 1 - Not available with PCX, VQG. 2 - Not available with H01, PCX, VQG. 3 - Not available with (VQG) Weather Protection Package, LPO. | A/D ¹ | A/D ¹ | A/D ² | A/D ² | A/D ³ | A/D ¹ | A/D ² | -- |
| VQG | | LPO, Weather Protection Package , includes (VAV) All-weather floor mats, LPO, (VLI) All-weather cargo mat and (VRV) Body-color painted splash guards, LPO 1 - Not available with (5VM/VTD) Ground Effects Package, LPOs or exterior color (G16) Crush. | A/D ¹ | A/D ¹ | A/D ¹ | A/D ¹ | A/D ¹ | A/D ¹ | A/D ¹ | -- |
| PDX | | LPO, ZL1 Protection Package , includes (W1V) Premium carpeted floor mats with ZL1 logo, LPO and (VGS) Outdoor vehicle cover, Gray with ZL1 logo, LPO | -- | -- | -- | -- | -- | -- | -- | A/D |
| VLI | | LPO, All-weather cargo mat with Camaro logo | A/D | A/D | A/D | A/D | A/D | A/D | A/D | A/D |
| W2D | | LPO, Cargo net | A/D | A/D | A/D | A/D | A/D | A/D | A/D | A/D |
| SH1 | | LPO, Embroidered center console lid with Camaro badge 1 - Not available with (H01) Kalahari interior or (BRJ) Adrenaline Red Interior Accent Trim Package. | A/D | A/D | A/D ¹ | A/D ¹ | A/D | A/D | A/D ¹ | -- |

| Free Flow RPO Code | Ref. Only RPO Code | Description | 1LS Coupe 1AG37 | 1LT Coupe 1AG37 | 2LT Coupe 1AH37 | 3LT Coupe 1AH37 | LT1 Coupe 1AJ37 | 1SS Coupe 1AJ37 | 2SS Coupe 1AK37 | ZL1 Coupe 1AL37 |
|--------------------|--------------------|--------------------------------------------------------------------------------------------------------------------------------------------------------------------------------------------------------------------------------------------|------------------|------------------|--------------------------------------------------------------------------------------------------------------------------------------------------------------------------------------------------------------------------------------------------------------------------------------------------------------------------------------------|------------------|------------------|------------------|------------------|-----------------|
| | | | 1LS | 1LT | 2LT | 3LT | 1LZ | 1SS | 2SS | 1SE |
| | | | VTF | | LPO, Embroidered center console lid with RS or SS logo 1 - Requires (WRS) RS Package. 2 - Requires (WRS) RS Package. Not available with (H01) Kalahari interior or (BRJ) Adrenaline Red Interior Accent Trim Package. 3 - Not available with (H01) Kalahari interior or (BRJ) Adrenaline Red Interior Accent Trim Package. | -- | A/D ¹ | A/D ² | A/D ² | -- |
| SH2 | | LPO, Embroidered center console lid, Chevrolet Performance logo 1 - Not available with (SH1) Embroidered center console lid with Camaro badge, LPO. 2 - Not available with SH1, VTF. 3 - Not available with H01, SH1, VTF. | A/D ¹ | A/D ² | A/D ³ | A/D ³ | A/D ¹ | A/D ² | A/D ³ | A/D |
| VYW | | LPO, Floor mats, premium carpeted with Camaro logo 1 - Not available with (H01) Kalahari interior. | A/D | A/D | A/D ¹ | A/D ¹ | A/D | A/D | A/D ¹ | -- |
| W1V | | LPO, Floor mats, premium carpeted with ZL1 logo | -- | -- | -- | -- | -- | -- | -- | A/D |
| VAV | | LPO, All-weather floor mats | A/D | A/D | A/D | A/D | A/D | A/D | A/D | A/D |
| S0O | | LPO, Illuminated footwells | -- | -- | -- | A/D | -- | -- | A/D | -- |
| WGT | | LPO, Black Interior Trim Kit, door accent trim | A/D | A/D | A/D | -- | A/D | A/D | -- | -- |
| WGK | | LPO, Red Interior Trim Kit, door accent trim 1 - Not available with (H01) Kalahari interior or (BRJ) Adrenaline Red Interior Accent Trim Package. | A/D | A/D | A/D ¹ | -- | A/D | A/D | -- | -- |
| VTG | | LPO, White Interior Trim Kit, door accent trim 1 - Not available with (H01) Kalahari interior. | A/D | A/D | A/D ¹ | -- | A/D | A/D | -- | -- |
| S0U | | LPO, Black sueded knee pads | A/D | A/D | A/D | A/D | A/D | A/D | A/D | -- |
| WGL | | LPO, Kalahari knee pads 1 - Not available with (H72/H17) Medium Ash Gray interior. 2 - Not available with (BRJ/BRD) Interior Accent Trim Packages or (H17) Medium Ash Gray interior. | A/D ¹ | A/D ¹ | A/D ² | A/D ² | A/D ¹ | A/D ¹ | A/D ² | -- |
| WHA | | LPO, Red knee pads 1 - Not available with (2F5) Red knee pads. 2 - Not available with (2F5) Red knee pads, (BRD) Ceramic White Interior Accent Trim Package or (H01) Kalahari leather interior trim. | A/D | A/D ¹ | A/D ² | A/D ² | A/D ¹ | A/D ¹ | A/D ² | -- |
| S0V | | LPO, White knee pads 1 - Not available with (BRJ) Adrenaline Red Interior Accent Trim Package or (H01) Kalahari interior. | A/D | A/D | A/D ¹ | A/D ¹ | A/D | A/D | A/D ¹ | -- |

| Free Flow RPO Code | Ref. Only RPO Code | Description | 1LS Coupe 1AG37 | 1LT Coupe 1AG37 | 2LT Coupe 1AH37 | 3LT Coupe 1AH37 | LT1 Coupe 1AJ37 | 1SS Coupe 1AJ37 | 2SS Coupe 1AK37 | ZL1 Coupe 1AL37 |
|--------------------|--------------------|--------------------------------------------------------------------------------------------------------------------------------------------------------------------------------------------------|------------------|------------------|------------------|------------------|------------------|------------------|------------------|-----------------|
| | | | 1LS | 1LT | 2LT | 3LT | 1LZ | 1SS | 2SS | 1SE |
| 5KP | | LPO, Illuminated sill plates | A/D | A/D | A/D | -- | A/D | A/D | -- | -- |
| VEB | | LPO, Sport pedals kit 1 - Not available with (JF5) sport alloy pedals. | A/D | A/D ¹ | A/D ¹ | A/D ¹ | A/D ¹ | A/D ¹ | A/D ¹ | -- |
| 5YN | | LPO, Carbon Fiber-look shift knob (auto) or Carbon Fiber-look shift knob medallion (manual) | A/D | A/D | A/D | A/D | A/D | A/D | A/D | A/D |
| SA7 | | LPO, Suede shift knob and boot kit 1 - Not available with (MX0) automatic transmission. 2 - Not available with (KS9) sueded microfiber-wrapped shift knob or (MX0) automatic transmission. | A/D ¹ | A/D ² | A/D ² | A/D ² | A/D ² | A/D ² | A/D ² | -- |
| | A45 | Memory Package, recalls 2 driver "presets" for 8-way power driver seat and outside mirrors | -- | -- | -- | S | -- | -- | S | S |
| | D31 | Mirror, inside rearview manual day/night, frameless | S | S | S | -- | S | S | -- | -- |
| | DRZ | Rear Camera Mirror | -- | -- | -- | S | -- | -- | S | S |
| | DD8 | Mirror, inside rearview auto-dimming, frameless 1 - Included and only available with (A1Z) ZL1 1LE Extreme Track Performance Package. | -- | -- | -- | -- | -- | -- | -- | A ¹ |
| | UE1 | OnStar and Chevrolet connected services capable 1 - Terms and limitations apply. See onstar.com or dealer for details. | S ¹ | S ¹ | S ¹ | S ¹ | S ¹ | S ¹ | S ¹ | S ¹ |
| | VV4 | 4G LTE Wi-Fi Hotspot capable 1 - Terms and limitations apply. See onstar.com or dealer for details. | S ¹ | S ¹ | S ¹ | S ¹ | S ¹ | S ¹ | S ¹ | S ¹ |
| | | Chevrolet Connected Access capable 1 - Subject to terms. See onstar.com or dealer for details. | S ¹ | S ¹ | S ¹ | S ¹ | S ¹ | S ¹ | S ¹ | S ¹ |
| | JF5 | Pedals, sport alloy | -- | A | A | A | A | A | A | S |
| | UQT | Performance data and video recorder 1 - Requires (A1X/A1Y) 1LE Track Performance Package. Deletes (UEU) Forward Collision Alert. 2 - Deletes (UEU) Forward Collision Alert. | -- | -- | -- | A ¹ | -- | A ¹ | A ¹ | A ² |
| | UVB | HD Rear Vision Camera 1 - Rear Vision Camera display is not HD with IOR audio system. | S ¹ | S ¹ | S ¹ | S | S ¹ | S | S | S |
| | BTV | Remote vehicle starter system 1 - Included and only available with (MX0) automatic transmission. | A ¹ | A ¹ | A ¹ | A ¹ | A ¹ | A ¹ | A ¹ | A ¹ |
| | 3F9 | Seat belt color, Red | A | A | A | A | A | A | A | A |

| Free Flow RPO Code | Ref. Only RPO Code | Description | 1LS Coupe 1AG37 | 1LT Coupe 1AG37 | 2LT Coupe 1AH37 | 3LT Coupe 1AH37 | LT1 Coupe 1AJ37 | 1SS Coupe 1AJ37 | 2SS Coupe 1AK37 | ZL1 Coupe 1AL37 |
|--------------------|--------------------|--------------------------------------------------------------------------------------------------------------------------------------------------------------------------------------------------------------------------------------------------------------------------|-----------------|-----------------|-----------------|-----------------|-----------------|-----------------|-----------------|-----------------|
| | | | 1LS | 1LT | 2LT | 3LT | 1LZ | 1SS | 2SS | 1SE |
| | | Seat belts , 3-point, all positions, includes front seat driver and front passenger seat belt pretensioners | S | S | S | S | S | S | S | S |
| | A50 | Seats , front Sport bucket | S | S | S | S | S | S | S | -- |
| AQJ | | Seats , front bucket, RECARO performance 1 - Requires (H1T/H0Y) Jet Black interior trim. | -- | A ¹ | A ¹ | A ¹ | A ¹ | A ¹ | A ¹ | S |
| | AM7 | Seat , rear, folding | S | S | S | S | S | S | S | S |
| | A62 | Seat , rear fixed 1 - Included and only available with (A1Z) ZL1 1LE Extreme Track Performance Package. | -- | -- | -- | -- | -- | -- | -- | A ¹ |
| | KA1 | Seats , heated driver and front passenger | -- | -- | S | S | -- | -- | S | S |
| | KQV | Seats , ventilated driver and front passenger | -- | -- | S | S | -- | -- | S | S |
| | AV3 | Seat adjuster , driver, 8-way power | S | S | S | S | S | S | S | S |
| | AAQ | Seat adjuster , front passenger, 4-way manual with power recline | S | -- | -- | -- | -- | -- | -- | -- |
| | AKQ | Seat adjuster , front passenger, 6-way power | -- | S | S | S | S | S | S | S |
| | VY7 | Shift knob , leather-wrapped | S | S | S | S | S | S | S | -- |
| | KS9 | Shift knob , sueded microfiber-wrapped 1 - Included and only available with (N26) sueded microfiber-wrapped steering wheel or (A1X/A1Y) 1LE Track Performance Package. 2 - Included and only available with (N26) sueded microfiber-wrapped steering wheel. | -- | A ¹ | A ¹ | A ¹ | A ² | A ¹ | A ¹ | S |
| | B7G | Sill plates , illuminated | -- | -- | -- | S | -- | -- | S | S |
| | UMN | Speedometer , miles/kilometers | S | S | S | S | S | S | S | S |
| | | Steering column , manual rake and telescopic | S | S | S | S | S | S | S | S |
| | NP5 | Steering wheel , leather-wrapped, flat-bottom | S | S | S | S | S | S | S | -- |
| N26 | | Steering wheel , 3-spoke, sueded microfiber-wrapped, flat-bottom 1 - Requires (MX0) automatic transmission. | -- | A | A | A | A ¹ | A | A | S |
| | UVD | Steering wheel , heated | -- | -- | -- | S | -- | -- | S | S |
| CF5 | | Sunroof , power | -- | A | A | A | A | A | A | A |

| Free Flow RPO Code | Ref. Only RPO Code | Description | 1LS Coupe 1AG37 | 1LT Coupe 1AG37 | 2LT Coupe 1AH37 | 3LT Coupe 1AH37 | LT1 Coupe 1AJ37 | 1SS Coupe 1AJ37 | 2SS Coupe 1AK37 | ZL1 Coupe 1AL37 |
|--------------------|--------------------|----------------------------------------------------------------------------------------------------------------------------------------------------------------------------------------------------------------------------------------------------------------------------------------------------------------------------------------------------------------------------------------------------------|-----------------|-----------------|-----------------|-----------------|-----------------|-----------------|-----------------|-----------------|
| | | | 1LS | 1LT | 2LT | 3LT | 1LZ | 1SS | 2SS | 1SE |
| | TDM | Teen Driver , a configurable feature that lets you activate customizable vehicle settings associated with a key fob, to help encourage safe driving behavior. It can limit certain available vehicle features, and it prevents certain safety systems from being turned off. An in-vehicle report card gives you information on driving habits and helps you to continue to coach your new driver | S | S | S | S | S | S | S | S |
| | | Theft-deterrent system , electrical, unauthorized entry | S | S | S | S | S | S | S | S |
| | | Tire Fill Alert | S | S | S | S | S | S | S | S |
| | | Tire Pressure Monitor System | S | S | S | S | S | S | S | S |
| | | Trunk emergency release handle | S | S | S | S | S | S | S | S |
| | | Trunk release , power | S | S | S | S | S | S | S | S |
| | | Visors , driver and front passenger vanity mirrors, covered, non-illuminated | S | S | S | -- | S | -- | -- | -- |
| | | Visors , driver and front passenger vanity mirrors, covered, illuminated | -- | -- | -- | S | -- | S | S | S |
| | | Windows , power with driver and passenger Express-Down/Up | S | S | S | S | S | S | S | S |
| | K4C | Wireless Charging for devices | -- | -- | -- | S | -- | -- | S | S |
| | PPW | NEW! Wireless Apple CarPlay/Wireless Android Auto | S | S | S | S | S | S | S | S |

S = Standard Equipment A = Available --(dashes) = Not Available D = ADI Available

■ = Included in Equipment Group □ = Included in Equipment Group but upgradeable

Codes listed in the shaded column titled Ref. Only RPO Code are for internal use only and should not be ordered.

| Free Flow RPO Code | Ref. Only RPO Code | Description | 1LT | 2LT | 3LT | LT1 | 1SS | 2SS | ZL1 |
|--------------------|--------------------|------------------------------------------------------------------------------------------------------------------------------------------------------------------------------------------------------------------------------------------------------------------------------------------------------------------------------------------------------------------------------------------------------------------------------------------------------------------------------|----------------|----------------|----------------|----------------|----------------|----------------|----------------|
| | | | Convertible | Convertible | Convertible | Convertible | Convertible | Convertible | Convertible |
| | | | 1AG67 | 1AH67 | 1AH67 | 1AJ67 | 1AJ67 | 1AK67 | 1AL67 |
| | | | 1LT | 2LT | 3LT | 1LZ | 1SS | 2SS | 1SE |
| Y3W | | Technology Package , includes (IOS) Chevrolet Infotainment 3 Plus system, 8" diagonal HD color touchscreen and (UQA) Bose premium speaker system | A | A | -- | A | -- | -- | -- |
| | AJ9 | Airbags , dual-stage frontal, knee, head and thorax side-impact, driver and front passenger, includes Passenger Sensing System 1 - Always use seat belts and child restraints. Children are safer when properly secured in a rear seat in the appropriate child restraint. See the Owner's Manual for more information. | S ¹ | S ¹ | S ¹ | S ¹ | S ¹ | S ¹ | S ¹ |
| | C68 | Air conditioning , single-zone automatic climate control | S | -- | -- | S | S | -- | -- |
| | CJ2 | Air conditioning , dual-zone automatic climate control with individual climate settings for driver and dedicated passenger controls and outside temperature display | -- | S | S | -- | -- | S | S |
| | IOR | Audio system , Chevrolet Infotainment 3 system, 7" diagonal color touchscreen, AM/FM stereo. Additional features for compatible phones include: Bluetooth audio streaming for 2 active devices, voice command pass-through to phone, Apple CarPlay and Android Auto capable. | S | S | -- | S | -- | -- | -- |
| | IOS | Audio system , Chevrolet Infotainment 3 Plus system, 8" diagonal HD color touchscreen, AM/FM stereo, Bluetooth audio streaming for 2 active devices, Apple CarPlay and Android Auto capable, voice recognition, in-vehicle apps, cloud connected personalization for select infotainment and vehicle settings. Subscription required for enhanced and connected services after trial period. 1 - Included and only available with (Y3W) Technology Package. | A ¹ | A ¹ | S | A ¹ | S | S | S |
| | IOT | Audio system , Chevrolet Infotainment 3 Premium system with connected Navigation, 8" diagonal HD color touchscreen, AM/FM stereo, Bluetooth audio streaming for 2 active devices, Apple CarPlay and Android Auto capable, enhanced voice recognition, additional memory for in-vehicle apps, cloud connected personalization for select infotainment and vehicle settings. Subscription required for enhanced and connected services after trial period. | -- | -- | A | -- | -- | A | A |

| Free Flow RPO Code | Ref. Only RPO Code | Description | 1LT | 2LT | 3LT | LT1 | 1SS | 2SS | ZL1 |
|--------------------|--------------------|---------------------------------------------------------------------------------------------------------------------------------------------------------------------------------------------------------------------------------------------------------------------------------------------------------------------------------------------------------------------------------------------------------------------------------------------------------------------------------------------------------------------------------------------------------------------------------------------------------------------------------------------------------------------------------------------------------------------------------------------------------------------------------------------------------------------------------------------------------------------------------------------------------------------------------------------------------------------------------------|----------------|----------------|-------------|----------------|-------------|-------------|-------------|
| | | | Convertible | Convertible | Convertible | Convertible | Convertible | Convertible | Convertible |
| | | | 1AG67 | 1AH67 | 1AH67 | 1AJ67 | 1AJ67 | 1AK67 | 1AL67 |
| | | | 1LT | 2LT | 3LT | 1LZ | 1SS | 2SS | 1SE |
| | U2K | <p>SiriusXM Radio, enjoy a 12-month All Access trial subscription with over 150 channels including commercial-free music, plus sports, news and entertainment. Plus listening on the SiriusXM app, online and at home on compatible connected devices is included, so you'll hear the best SiriusXM has to offer, anywhere life takes you. Welcome to the world of SiriusXM.</p> <p>1 - IMPORTANT: The SiriusXM radio trial package is not provided on vehicles that are ordered for Fleet Daily Rental ("FDR") use. If you decide to continue service after your trial, the subscription plan you choose will automatically renew thereafter and you will be charged according to your chosen payment method at then-current rates. Fees and taxes apply. See the SiriusXM Customer Agreement at www.siriusxm.com for complete terms and how to cancel. All fees, content, features, and availability are subject to change.</p> | S ¹ | S ¹ | -- | S ¹ | -- | -- | -- |

| Free Flow RPO Code | Ref. Only RPO Code | Description | 1LT | 2LT | 3LT | LT1 | 1SS | 2SS | ZL1 |
|--------------------|--------------------|---------------------------------------------------------------------------------------------------------------------------------------------------------------------------------------------------------------------------------------------------------------------------------------------------------------------------------------------------------------------------------------------------------------------------------------------------------------------------------------------------------------------------------------------------------------------------------------------------------------------------------------------------------------------------------------------------------------------------------------------------------------------------------------------------------------------------------------------------------------------------------------------------------------------------------------------------------------------------------------------------------------------------------------------------------------------------------------------------------------------------------------------------------------------------------------------------------------------------------------------------------------------------------------------------------------------------------------------------------------------------------------------------------------------------------------------------------------------------------------------------------------------------------------------------------------------------------------------------------------------------------------------------------------------------------------------------------------------------------------------------------------------------------------------------------------------------------------------------------------------------------------------------------------------------------------------------------------------------------------------------------------------------------------------------------------------------------------------------------------------------------------------------------------|----------------|----------------|----------------|----------------|----------------|----------------|----------------|
| | | | Convertible | Convertible | Convertible | Convertible | Convertible | Convertible | Convertible |
| | | | 1AG67 | 1AH67 | 1AH67 | 1AJ67 | 1AJ67 | 1AK67 | 1AL67 |
| | | | 1LT | 2LT | 3LT | 1LZ | 1SS | 2SS | 1SE |
| | | <p>SiriusXM with 360L, Equipped with SiriusXM with 360L. Enjoy a 12-month trial subscription of the All Access package for the full 360L experience, with a greater variety of SiriusXM content, a more personalized experience and easier navigation. With the All Access package, you can also enjoy your favorites everywhere you go, with the SiriusXM app, online and at home on compatible connected devices.</p> <p>1 - Included and only available with (IOS) Chevrolet Infotainment 3 Plus system. IMPORTANT: The SiriusXM radio trial package is not provided on vehicles that are ordered for Fleet Daily Rental ("FDR") use. If you decide to continue service after your trial, the subscription plan you choose will automatically renew thereafter and you will be charged according to your chosen payment method at then-current rates. Fees and taxes apply. See the SiriusXM Customer Agreement at www.siriusxm.com for complete terms and how to cancel. All fees, content, features, and availability are subject to change. GM connected vehicle services vary by vehicle model and require active service plan, working electrical system, cell reception and GPS signal. See onstar.com for details and limitations.</p> <p>2 - IMPORTANT: The SiriusXM radio trial package is not provided on vehicles that are ordered for Fleet Daily Rental ("FDR") use. If you decide to continue service after your trial, the subscription plan you choose will automatically renew thereafter and you will be charged according to your chosen payment method at then-current rates. Fees and taxes apply. See the SiriusXM Customer Agreement at www.siriusxm.com for complete terms and how to cancel. All fees, content, features, and availability are subject to change. GM connected vehicle services vary by vehicle model and require active service plan, working electrical system, cell reception and GPS signal. See onstar.com for details and limitations.</p> | A ¹ | A ¹ | S ² | A ¹ | S ² | S ² | S ² |
| | UQ3 | Audio system feature , 6-speaker system | S | S | -- | S | S | -- | -- |
| | UQA | Audio system feature , Bose premium 7-speaker system 1 - Included and only available with (Y3W) Technology Package. | A ¹ | A ¹ | S | A ¹ | -- | S | S |
| | UPG | Bluetooth for phone | S | S | S | S | S | S | S |
| | | Compass display | S | S | S | S | S | S | S |
| | | Cruise control , electronic with set and resume speed, steering wheel mounted | S | S | S | S | S | S | S |
| | | Cup holders , 2 front | S | S | S | S | S | S | S |
| | | Dead pedal , driver | S | S | S | S | S | S | S |

| Free Flow RPO Code | Ref. Only RPO Code | Description | 1LT | 2LT | 3LT | LT1 | 1SS | 2SS | ZL1 |
|--------------------|--------------------|-----------------------------------------------------------------------------------------------------------------------------------------------------------------------------------------------------------------------------------------------------------------------------------------------------------|-------------|----------------|----------------|-------------|-------------|----------------|-------------|
| | | | Convertible | Convertible | Convertible | Convertible | Convertible | Convertible | Convertible |
| | | | 1AG67 | 1AH67 | 1AH67 | 1AJ67 | 1AJ67 | 1AK67 | 1AL67 |
| | | | 1LT | 2LT | 3LT | 1LZ | 1SS | 2SS | 1SE |
| | | Defogger , rear-window, electric | S | S | S | S | S | S | S |
| | | Door locks , power programmable with lockout protection | S | S | S | S | S | S | S |
| | UDD | Driver Information Center , color display | S | S | -- | S | -- | -- | -- |
| | UHS | Driver Information Center , enhanced, 8" diagonal multi-color re-configurable display | -- | -- | S | -- | S | S | S |
| | B34 | Floor mats , carpeted front | S | S | S | S | S | S | S |
| | | Glovebox , lockable | S | S | S | S | S | S | S |
| | UV6 | Head-Up Display , with color digital readouts for vehicle speed, selected gear, G-Force, audio system information, high-beam indicator, compass, outside air temperature, tachometer, vehicle messages, Turn-by-Turn information and phone information | -- | -- | S | -- | -- | S | S |
| BRJ | | Adrenaline Red Interior Package , includes Black interior with Adrenaline Red front seat inserts, door inserts and stitching on front seats, doors, steering wheel, shifter and center console 1 - Not available with exterior color (G16) Crush, (GKK) Riverside Blue Metallic or (GKO) Shock. | -- | A ¹ | A ¹ | -- | -- | A ¹ | -- |
| BRD | | Ceramic White Interior Package , includes Black interior with Ceramic White front seat inserts, door inserts and stitching on front seats, doors, steering wheel, shifter and center console | -- | A | A | -- | -- | A | -- |
| | | Interior trim , aluminum accents on door trim and shifter cap | -- | -- | S | -- | -- | S | S |
| 3DL | | Interior trim , carbon fiber instrument panel molding | -- | -- | -- | -- | -- | -- | A |
| | ATH | Keyless Open and Start , includes 2 remote transmitters that enable automatic door unlock and open by touching door switch | S | S | S | S | S | S | S |
| 2F5 | | Knee pads , Red 1 - Not available with (H01) Kalahari interior. | A | A ¹ | A ¹ | A | A | A ¹ | A |
| | | LATCH system (Lower Anchors and Tethers for CHildren), for child restraint seats | S | S | S | S | S | S | S |
| | | Lighting , front reading lamps | S | S | S | S | S | S | S |
| | C70 | Lighting , interior spectrum, 24 different color selections | -- | -- | S | -- | -- | S | S |
| 5V6 | | LPO, Black Interior Appearance Package , includes (WGT) Black Interior Trim Kit, door accent trim, LPO and (S0U) Black sueded knee pads, LPO | A/D | A/D | -- | A/D | A/D | -- | -- |

| Free Flow RPO Code | Ref. Only RPO Code | Description | 1LT | 2LT | 3LT | LT1 | 1SS | 2SS | ZL1 |
|--------------------|--------------------|--------------------------------------------------------------------------------------------------------------------------------------------------------------------------------------------------------------------------------------------------------------------------------------------------------------------------------------------|------------------|------------------|------------------|------------------|------------------|------------------|-------------|
| | | | Convertible | Convertible | Convertible | Convertible | Convertible | Convertible | Convertible |
| | | | 1AG67 | 1AH67 | 1AH67 | 1AJ67 | 1AJ67 | 1AK67 | 1AL67 |
| | | | 1LT | 2LT | 3LT | 1LZ | 1SS | 2SS | 1SE |
| PCX | | LPO, Camaro Logo Package , includes (SH1) Embroidered center console lid with Camaro badge, LPO, (VYW) premium carpeted floor mats with Camaro logo, LPO and (RIN) Camaro logo fender badge, LPO 1 - Not available with CG3, PCN, SFZ, SH2, VTF. 2 - Not available with BRJ, CG3, H01, PCN, SFZ, SH2, VTF. | A/D ¹ | A/D ² | A/D ² | -- | A/D ¹ | A/D ² | -- |
| PCN | | LPO, Winter/Summer Floor Mats Package , includes (VYW) Premium carpeted floor mats, LPO and (VAV) All-weather floor mats, LPO 1 - Not available with PCX, VQG. 2 - Not available with H01, PCX, VQG. 3 - Not available with (VQG) Weather Protection Package, LPO. | A/D ¹ | A/D ² | A/D ² | A/D ³ | A/D ¹ | A/D ² | -- |
| VQG | | LPO, Weather Protection Package , includes (VAV) All-weather floor mats, LPO and (VRV) Body-color painted splash guards, LPO 1 - Not available with (5VM/VTD) Ground Effects Package, LPOs or exterior color (G16) Crush. | A/D ¹ | A/D ¹ | A/D ¹ | A/D ¹ | A/D ¹ | A/D ¹ | -- |
| PDX | | LPO, ZL1 Protection Package , includes (W1V) Premium carpeted floor mats with ZL1 logo, LPO and (VGS) Outdoor vehicle cover, Gray with ZL1 logo, LPO | -- | -- | -- | -- | -- | -- | A/D |
| W2D | | LPO, Cargo net | A/D | A/D | A/D | A/D | A/D | A/D | A/D |
| SH1 | | LPO, Embroidered center console lid with Camaro badge 1 - Not available with (H01) Kalahari interior or (BRJ) Adrenaline Red Interior Accent Trim Package. | A/D | A/D ¹ | A/D ¹ | A/D | A/D | A/D ¹ | -- |
| VTF | | LPO, Embroidered center console lid with RS or SS logo 1 - Requires (WRS) RS Package. 2 - Requires (WRS) RS Package. Not available with (H01) Kalahari interior or (BRJ) Adrenaline Red Interior Accent Trim Package. 3 - Not available with (H01) Kalahari interior or (BRJ) Adrenaline Red Interior Accent Trim Package. | A/D ¹ | A/D ² | A/D ² | -- | A/D | A/D ³ | -- |
| SH2 | | LPO, Embroidered center console lid , Chevrolet Performance logo 1 - Not available with SH1, VTF. 2 - Not available with H01, SH1, VTF. 3 - Not available with (SH1) Embroidered center console lid with Camaro badge, LPO. | A/D ¹ | A/D ² | A/D ² | A/D ³ | A/D ¹ | A/D ² | A/D |
| VYW | | LPO, Floor mats , premium carpeted with Camaro logo 1 - Not available with (H01) Kalahari interior. | A/D | A/D ¹ | A/D ¹ | A/D | A/D | A/D ¹ | -- |
| W1V | | LPO, Floor mats , premium carpeted with ZL1 logo | -- | -- | -- | -- | -- | -- | A/D |
| VAV | | LPO, All-weather floor mats | A/D | A/D | A/D | A/D | A/D | A/D | A/D |
| S00 | | LPO, Illuminated footwells | -- | -- | A/D | -- | -- | A/D | -- |

| Free Flow RPO Code | Ref. Only RPO Code | Description | 1LT | 2LT | 3LT | LT1 | 1SS | 2SS | ZL1 |
|--------------------|--------------------|------------------------------------------------------------------------------------------------------------------------------------------------------------------------------------------------------------|----------------------|----------------------|----------------------|----------------------|----------------------|----------------------|----------------------|
| | | | Convertible 1AG67 | Convertible 1AH67 | Convertible 1AH67 | Convertible 1AJ67 | Convertible 1AJ67 | Convertible 1AK67 | Convertible 1AL67 |
| | | | 1LT | 2LT | 3LT | 1LZ | 1SS | 2SS | 1SE |
| WGT | | LPO, Black Interior Trim Kit, door accent trim | A/D | A/D | -- | A/D | A/D | -- | -- |
| WGK | | LPO, Red Interior Trim Kit, door accent trim 1 - Not available with (H01) Kalahari interior or (BRJ) Adrenaline Red Interior Accent Trim Package. | A/D | A/D ¹ | -- | A/D | A/D | -- | -- |
| VTG | | LPO, White Interior Trim Kit, door accent trim 1 - Not available with (H01) Kalahari interior. | A/D | A/D ¹ | -- | A/D | A/D | -- | -- |
| S0U | | LPO, Black sueded knee pads | A/D | A/D | A/D | A/D | A/D | A/D | -- |
| WGL | | LPO, Kalahari knee pads 1 - Not available with (H72/H17) Medium Ash Gray interior. 2 - Not available with (BRJ/BRD) Interior Accent Trim Packages or (H17) Medium Ash Gray interior. | A/D ¹ | A/D ² | A/D ² | A/D ¹ | A/D ¹ | A/D ² | -- |
| WHA | | LPO, Red knee pads 1 - Not available with (2F5) Red knee pads. 2 - Not available with (2F5) Red knee pads, (BRD) Ceramic White Interior Accent Trim Package or (H01) Kalahari leather interior trim. | A/D ¹ | A/D ² | A/D ² | A/D ¹ | A/D ¹ | A/D ² | -- |
| S0V | | LPO, White knee pads 1 - Not available with (BRJ) Adrenaline Red Interior Accent Trim Package or (H01) Kalahari interior. | A/D | A/D ¹ | A/D ¹ | A/D | A/D | A/D ¹ | -- |
| 5KP | | LPO, Illuminated sill plates | A/D | A/D | -- | A/D | A/D | -- | -- |
| VEB | | LPO, Sport pedals kit 1 - Not available with (JF5) sport alloy pedals. | A/D ¹ | A/D ¹ | A/D ¹ | A/D ¹ | A/D ¹ | A/D ¹ | -- |
| 5YN | | LPO, Carbon Fiber-look shift knob (auto) or Carbon Fiber-look shift knob medallion (manual) | A/D | A/D | A/D | A/D | A/D | A/D | A/D |
| SA7 | | LPO, Suede shift knob and boot kit 1 - Not available with (KS9) sueded microfiber-wrapped shift knob or (MX0) automatic transmission. | A/D ¹ | A/D ¹ | A/D ¹ | A/D ¹ | A/D ¹ | A/D ¹ | -- |
| | A45 | Memory Package, recalls 2 driver "presets" for 8-way power driver seat and outside mirrors | -- | -- | S | -- | -- | S | S |
| | D31 | Mirror, inside rearview manual day/night, frameless | S | S | -- | S | S | -- | -- |
| | DRZ | Rear Camera Mirror | -- | -- | S | -- | -- | S | S |
| | UE1 | OnStar and Chevrolet connected services capable 1 - Terms and limitations apply. See onstar.com or dealer for details. | S ¹ | S ¹ | S ¹ | S ¹ | S ¹ | S ¹ | S ¹ |
| | VV4 | 4G LTE Wi-Fi Hotspot capable 1 - Terms and limitations apply. See onstar.com or dealer for details. | S ¹ | S ¹ | S ¹ | S ¹ | S ¹ | S ¹ | S ¹ |

| Free Flow RPO Code | Ref. Only RPO Code | Description | 1LT | 2LT | 3LT | LT1 | 1SS | 2SS | ZL1 |
|--------------------|--------------------|---------------------------------------------------------------------------------------------------------------------------------------|----------------|----------------|----------------|----------------|----------------|----------------|----------------|
| | | | Convertible | Convertible | Convertible | Convertible | Convertible | Convertible | Convertible |
| | | | 1AG67 | 1AH67 | 1AH67 | 1AJ67 | 1AJ67 | 1AK67 | 1AL67 |
| | | | 1LT | 2LT | 3LT | 1LZ | 1SS | 2SS | 1SE |
| | | Chevrolet Connected Access capable 1 - Subject to terms. See onstar.com or dealer for details. | S ¹ | S ¹ | S ¹ | S ¹ | S ¹ | S ¹ | S ¹ |
| JF5 | | Pedals , sport alloy | A | A | A | A | A | A | S |
| | UVB | HD Rear Vision Camera 1 - Rear Vision Camera display is not HD with IOR audio system. | S ¹ | S ¹ | S | S ¹ | S | S | S |
| | BTV | Remote vehicle starter system 1 - Included and only available with (MX0) automatic transmission. | A ¹ | A ¹ | A ¹ | A ¹ | A ¹ | A ¹ | A ¹ |
| 3F9 | | Seat belt color , Red | A | A | A | A | A | A | A |
| | | Seat belts , 3-point, all positions, includes front seat driver and front passenger seat belt pretensioners | S | S | S | S | S | S | S |
| | A50 | Seats , front Sport bucket | S | S | S | S | S | S | -- |
| AQJ | | Seats , front bucket, RECARO performance 1 - Requires (H1T/H0Y) Jet Black interior trim. | A ¹ | A ¹ | A ¹ | A ¹ | A ¹ | A ¹ | S |
| | A62 | Seat , rear fixed | S | S | S | S | S | S | S |
| | KA1 | Seats , heated driver and front passenger | -- | S | S | -- | -- | S | S |
| | KQV | Seats , ventilated driver and front passenger | -- | S | S | -- | -- | S | S |
| | AV3 | Seat adjuster , driver, 8-way power | S | S | S | S | S | S | S |
| | AKQ | Seat adjuster , front passenger, 6-way power | S | S | S | S | S | S | S |
| | VY7 | Shift knob , leather-wrapped | S | S | S | S | S | S | -- |
| | KS9 | Shift knob , sueded microfiber-wrapped 1 - Included and only available with (N26) sueded microfiber-wrapped steering wheel. | A ¹ | A ¹ | A ¹ | A ¹ | A ¹ | A ¹ | S |
| | B7G | Sill plates , illuminated | -- | -- | S | -- | -- | S | S |
| | UMN | Speedometer , miles/kilometers | S | S | S | S | S | S | S |
| | | Steering column , manual rake and telescopic | S | S | S | S | S | S | S |
| | NP5 | Steering wheel , leather-wrapped, flat-bottom | S | S | S | S | S | S | -- |
| N26 | | Steering wheel , 3-spoke, sueded microfiber-wrapped, flat-bottom 1 - Requires (MX0) automatic transmission. | A | A | A | A ¹ | A | A | S |
| | UVD | Steering wheel , heated | -- | -- | S | -- | -- | S | S |

| Free Flow RPO Code | Ref. Only RPO Code | Description | 1LT | 2LT | 3LT | LT1 | 1SS | 2SS | ZL1 |
|--------------------|--------------------|----------------------------------------------------------------------------------------------------------------------------------------------------------------------------------------------------------------------------------------------------------------------------------------------------------------------------------------------------------------------------------------------------------|-------------|-------------|-------------|-------------|-------------|-------------|-------------|
| | | | Convertible | Convertible | Convertible | Convertible | Convertible | Convertible | Convertible |
| | | | 1AG67 | 1AH67 | 1AH67 | 1AJ67 | 1AJ67 | 1AK67 | 1AL67 |
| | | | 1LT | 2LT | 3LT | 1LZ | 1SS | 2SS | 1SE |
| | TDM | Teen Driver , a configurable feature that lets you activate customizable vehicle settings associated with a key fob, to help encourage safe driving behavior. It can limit certain available vehicle features, and it prevents certain safety systems from being turned off. An in-vehicle report card gives you information on driving habits and helps you to continue to coach your new driver | S | S | S | S | S | S | S |
| | | Theft-deterrent system , electrical, unauthorized entry | S | S | S | S | S | S | S |
| | | Tire Fill Alert | S | S | S | S | S | S | S |
| | | Tire Pressure Monitor System | S | S | S | S | S | S | S |
| | | Trunk emergency release handle | S | S | S | S | S | S | S |
| | | Trunk release , power | S | S | S | S | S | S | S |
| | | Visors , driver and front passenger vanity mirrors | S | S | S | S | S | S | S |
| | | Windows , power with driver and passenger Express-Down/Up | S | S | S | S | S | S | S |
| | K4C | Wireless Charging for devices | -- | -- | S | -- | -- | S | S |
| | PPW | NEW! Wireless Apple CarPlay/Wireless Android Auto | S | S | S | S | S | S | S |

S = Standard Equipment A = Available --(dashes) = Not Available D = ADI Available

■ = Included in Equipment Group □ = Included in Equipment Group but upgradeable

Codes listed in the shaded column titled Ref. Only RPO Code are for internal use only and should not be ordered.

| Free Flow RPO Code | Ref. Only RPO Code | Description | 1LS Coupe | 1LT Coupe | 2LT Coupe | 3LT Coupe | LT1 Coupe | 1SS Coupe | 2SS Coupe | ZL1 Coupe |
|--------------------|--------------------|----------------------------------------------------------------------------------------------------------------------------------------------------------------------------------------------------------------------------------------------------------------------------------------------------------------------------------------------------------------------------------------------------------------------------------------------------------------------------------------------------------------------------------------------------------------------------------------------------------------------------------------------------------------------------------------|----------------|----------------|----------------|----------------|----------------|----------------|----------------|-----------|
| | | | 1AG37 | 1AG37 | 1AH37 | 1AH37 | 1AJ37 | 1AJ37 | 1AK37 | 1AL37 |
| | | | 1LS | 1LT | 2LT | 3LT | 1LZ | 1SS | 2SS | 1SE |
| WBL | | <p>Redline Edition, includes (SRI/58E) 20" Black-painted aluminum wheels with Red accents, (CG6) Black Camaro fender badge with Red outline, (VUP) Redline Edition graphics, LPO, (3F9) Red seat belt color, (2F5) Red knee pads and (VYW) Premium carpeted floor mats, LPO</p> <p>1 - Requires (WRS) RS Package, (H1T/H0Y) Jet Black interior and exterior color (G9K) Satin Steel Metallic, (GAZ) Summit White or (GBA) Black. Not available with P3H, RO1, RO2, RZB.</p> <p>2 - Requires (H1T/H0Y) Jet Black interior and exterior color (G9K) Satin Steel Metallic, (GAZ) Summit White or (GBA) Black.</p> | -- | A ¹ | A ¹ | A ¹ | A ¹ | A ² | A ² | -- |
| WRS | | <p>RS Package, includes dark tint LED tail lamps, RS-specific grilles, Black front and rear bowties, and (D80) decklid-mounted lip spoiler</p> <p>1 - Also includes (RQ9) 20" 5-split spoke premium Gray-painted, machined-face aluminum wheels. Wheels are upgradeable to RTJ/RTH/WR1/5K9, or upgraded to package specific wheels.</p> | -- | A ¹ | A ¹ | A ¹ | A | -- | -- | -- |
| A9B | | <p>Satin Black Appearance Package, includes Satin Black outside mirrors and rear spoiler</p> <p>1 - Spoiler RPO is D80.</p> <p>2 - Spoiler RPO is D5Z.</p> | A ¹ | A ¹ | A ¹ | A ¹ | A ¹ | A ² | A ² | -- |
| PDL | | <p>NEW! Wild Cherry Design Package 1, includes (RY2) Black Metallic Hash Mark Stripes, LPO (5ZB) Camaro logo wheel center caps, LPO, (WR1/57W) 20" 5-split spoke polished forged wheels with Black star center cap and (VYW) premium carpeted floor mats with Camaro logo, LPO</p> <p>1 - Also includes (CG3) Camaro fender badge emblem. Requires exterior color (GSK) Wild Cherry Tintcoat and (WRS) RS Package. Wheel RPO is WR1.</p> <p>2 - Requires exterior color (GSK) Wild Cherry Tintcoat and (WRS) RS Package. Wheel RPO is WR1.</p> <p>3 - Also includes (CG3) Camaro fender badge emblem. Requires exterior color (GSK) Wild Cherry Tintcoat. Wheel RPO is 57W.</p> | -- | A ¹ | A ¹ | A ¹ | A ² | A ³ | A ³ | -- |

| Free Flow RPO Code | Ref. Only RPO Code | Description | 1LS | 1LT | 2LT | 3LT | LT1 | 1SS | 2SS | ZL1 |
|--------------------|--------------------|---------------------------------------------------------------------------------------------------------------------------------------------------------------------------------------------------------------------------------------------------------------------------------------------------------------------------------------------------------------------------------------------------------------------------------------------------------------------------------------------------------------------------------------------------------------------------------------------------------------------------|----------------|----------------|----------------|----------------|----------------|----------------|----------------|----------------|
| | | | Coupe 1AG37 | Coupe 1AG37 | Coupe 1AH37 | Coupe 1AH37 | Coupe 1AJ37 | Coupe 1AJ37 | Coupe 1AK37 | Coupe 1AL37 |
| | | | 1LS | 1LT | 2LT | 3LT | 1LZ | 1SS | 2SS | 1SE |
| PDN | | NEW! Wild Cherry Design Package 2 , includes (PDL) Wild Cherry Design Package 1, (S0U) Black sueded knee pads, LPO, (VQL) Fuel filler door in Black with visible carbon fiber insert, LPO, (VTD) Carbon Flash Metallic, second generation Ground Effects, LPO and (DUU/DUV/DW8) Center Stripe 1 - Requires exterior color (GSK) Wild Cherry Tintcoat and the selection of either (DUU) Black Center Stripe or (DUV) Silver Center Stripe. 2 - Requires exterior color (GSK) Wild Cherry Tintcoat and the selection of either (DW8) Black Metallic Center Stripe or (DUV) Silver Center Stripe. | -- | -- | A ¹ | A ¹ | -- | -- | A ² | -- |
| | U77 | Antenna , integral rear window | S | S | S | S | S | S | S | S |
| | | Antenna , OnStar and SiriusXM Radio, fin-type 1 - Black. 2 - Black, except when (WRS) RS Package is ordered and changes to body-color. 3 - Body-color. | S ¹ | S ² | S ² | S ³ | S ² | S ³ | S ³ | S ³ |
| | | Bowties , Black, front and rear 1 - Included and only available with (WRS) RS Package. | -- | A ¹ | A ¹ | A ¹ | S | S | S | S |
| P3H | | Bowties , Black, front and rear 1 - Not available with (WRS) RS Package. | A | A ¹ | A ¹ | A ¹ | -- | -- | -- | -- |
| | | Daytime Running Lamps , LED | S | S | S | S | S | S | S | S |
| CG3 | | Emblem , Camaro fender badge 1 - Not available with (WBL) Redline Edition. | A | A ¹ | A ¹ | A ¹ | -- | A ¹ | A ¹ | -- |
| | CG6 | Emblem , Black Camaro fender badge with Red outline 1 - Included and only available with (WBL) Redline Edition. | -- | A ¹ | A ¹ | A ¹ | A ¹ | A ¹ | A ¹ | -- |
| | FTF | Front splitter , Black 1 - Included and only available with (A1X) 1LE Track Performance Package. | -- | A ¹ | A ¹ | A ¹ | -- | -- | -- | -- |
| | FTJ | Front splitter , Black 1 - Included and only available with (A1Y) SS 1LE Track Performance Package. | -- | -- | -- | -- | -- | A ¹ | A ¹ | -- |
| | | Fueling system , capless | S | S | S | S | S | S | S | S |
| D88 | | 1LE Hash Mark Decal 1 - Requires (A1X/A1Y) 1LE Track Performance Package. | -- | A ¹ | A ¹ | A ¹ | -- | A ¹ | A ¹ | -- |
| CFW | | Hood insert , visible Carbon Fiber weave | -- | -- | -- | -- | -- | -- | -- | A |
| | DSM | Hood wrap , Satin Black 1 - Included and only available with (A1X/A1Y/A1Z) 1LE Track Performance Package. | -- | A ¹ | A ¹ | A ¹ | -- | A ¹ | A ¹ | A ¹ |

| Free Flow RPO Code | Ref. Only RPO Code | Description | 1LS | 1LT | 2LT | 3LT | LT1 | 1SS | 2SS | ZL1 |
|--------------------|--------------------|--------------------------------------------------------------------------------------------------------------------------------------------------------------------------------------------------------------------------------------------------------------------------------------------------------------------------------------------------------------------------------------------------------------------------------------------------------------------------------------|------------------|------------------|------------------|------------------|------------------|------------------|------------------|------------------|
| | | | Coupe 1AG37 | Coupe 1AG37 | Coupe 1AH37 | Coupe 1AH37 | Coupe 1AJ37 | Coupe 1AJ37 | Coupe 1AK37 | Coupe 1AL37 |
| | | | 1LS | 1LT | 2LT | 3LT | 1LZ | 1SS | 2SS | 1SE |
| | UKC | Lane Change Alert with Side Blind Zone Alert | -- | -- | -- | S | -- | -- | S | S |
| VK3 | | License plate bracket, front 1 - Will be forced on orders with ship-to states that require a front license plate. | A ¹ | A ¹ | A ¹ | A ¹ | A ¹ | A ¹ | A ¹ | A ¹ |
| PDY | | LPO, Body-Color Spoiler with Wicker Package , includes (5ZU) Body-color blade spoiler, LPO and (SIA) Wicker bill, LPO 1 - Requires exterior color (G7C) Red Hot, (GAZ) Summit White, (GBA) Black or (GKK) Riverside Blue Metallic. Not available with any RPO stripe option. 2 - Requires exterior color (G7C) Red Hot, (GAZ) Summit White, (GBA) Black or (GKK) Riverside Blue Metallic. Not available with any RPO stripe option or (D88) 1LE Hash Mark Decal. | A/D ¹ | A/D ² | A/D ² | A/D ² | A/D ¹ | A/D ² | A/D ² | -- |
| PCJ | | LPO, Dark Tint Rear Lighting Package , includes (62O) Clear CHMSL, LPO and (SCY) Dark finish tail lamps, LPO 1 - Not available with (B9M) dark tint tail lamps. 2 - Not available with (WRS) RS Package or (B9M) Dark tint tail lamps. | A/D ¹ | A/D ² | A/D ² | A/D ² | -- | -- | -- | -- |
| PCL | | LPO, Black Wheel Lug Nuts and Locks Package , includes (SPZ) Black wheel locks, LPO and (SPY) Black lug nuts, LPO 1 - Not available with (SFE) wheel locks, LPO. | -- | A/D ¹ | A/D ¹ | A/D ¹ | A/D ¹ | A/D ¹ | A/D ¹ | A/D ¹ |
| 5VM | | LPO, Ground Effects Package 1 - Requires 5V5 or 5ZU and exterior color (G9K) Satin Steel Metallic, (GAZ) Summit White or (GBA) Black. Not available with RMH, RZ3, VRV, VTD. 2 - Requires WRS, 5V5 or 5ZU and exterior color (G9K) Satin Steel Metallic, (GAZ) Summit White or (GBA) Black. Not available with RMH, RZ3, VRV, VTD. 3 - Requires exterior color (G9K) Satin Steel Metallic, (GAZ) Summit White or (GBA) Black. Not available with RMH, RZ3, VRV, VTD. | A/D ¹ | A/D ² | A/D ² | A/D ² | A/D ¹ | A/D ³ | A/D ³ | -- |
| VTD | | LPO, Ground effects, Carbon Flash Metallic, second generation 1 - Requires 5V5, 5ZU, or D80. Not available with 5VM, RMH, RZ3 or VRV. 2 - Not available with 5VM, RMH, RZ3 or VRV. | A/D ¹ | A/D ¹ | A/D ¹ | A/D ¹ | A/D ¹ | A/D ² | A/D ² | -- |

| Free Flow RPO Code | Ref. Only RPO Code | Description | 1LS Coupe 1AG37 | 1LT Coupe 1AG37 | 2LT Coupe 1AH37 | 3LT Coupe 1AH37 | LT1 Coupe 1AJ37 | 1SS Coupe 1AJ37 | 2SS Coupe 1AK37 | ZL1 Coupe 1AL37 |
|--------------------|--------------------|--------------------------------------------------------------------------------------------------------------------------------------------------------------------------------------------------------------------------------------------------------------------------------------------------------------------------------------------------------------------------------------------------------------------------------------------------------------------------------------------------------------------------------------------------------------------------------------------|------------------|------------------|------------------|------------------|------------------|------------------|------------------|-----------------|
| | | | 1LS | 1LT | 2LT | 3LT | 1LZ | 1SS | 2SS | 1SE |
| RIK | | LPO, Black front and rear bowtie emblems 1 - Not available with (R88) Front illuminated and rear non-illuminated bowtie emblems in Black, LPO or (P3H) Black front and rear bowties. 2 - Not available with (WRS) RS Package, (R88) Front illuminated and rear non-illuminated bowtie emblems in Black, LPO or (P3H) Black front and rear bowties. | A/D ¹ | A/D ² | A/D ² | A/D ² | -- | -- | -- | -- |
| R88 | | LPO, Front illuminated and rear non-illuminated bowtie emblems in Black 1 - Not available with (RIK) Black front and rear bowtie emblems, LPO or (P3H) Black front and rear bowties. | A/D ¹ | A/D ¹ | A/D ¹ | A/D ¹ | A/D | -- | -- | -- |
| | 62O | LPO, Clear CHMSL (Center High Mount Stop Lamp) 1 - Included and only available with (PCJ) Dark Tint Rear Lighting Package, LPO. | A/D ¹ | A/D ¹ | A/D ¹ | A/D ¹ | -- | -- | -- | -- |
| RZ3 | | LPO, Front splitter 1 - Requires 5V5, 5ZU or D80 and exterior color (G9K) Satin Steel Metallic, (GAZ) Summit White or (GBA) Black. 2 - Requires 5V5, 5ZU, D80 or WRS and exterior color (G9K) Satin Steel Metallic, (GAZ) Summit White or (GBA) Black. Not available with 5VM, RMH or VTD. 3 - Requires 5V5, 5ZU or D80 and exterior color (G9K) Satin Steel Metallic, (GAZ) Summit White or (GBA) Black. Not available with 5VM or VTD. 4 - Requires exterior color (G9K) Satin Steel Metallic, (GAZ) Summit White or (GBA) Black. Not available with 5VM, RMH or VTD. | A/D ¹ | A/D ² | A/D ² | A/D ² | A/D ³ | A/D ⁴ | A/D ⁴ | -- |
| SL2 | | LPO, Front fascia extension, Satin Black, second generation 1 - Requires 5V5, 5ZU, A9B or D80. Not available with 5VM, RMH, RZ3 or VTD. 2 - Not available with 5VM, RMH, RZ3 or VTD. | A/D ¹ | A/D ¹ | A/D ¹ | A/D ¹ | A/D ¹ | A/D ² | A/D ² | -- |
| RIN | | LPO, Camaro logo fender badge 1 - Not available with CG3, SFZ. 2 - Not available with CG3, SFZ, WBL. | A/D ¹ | A/D ² | A/D ² | A/D ² | -- | A/D ² | A/D ² | -- |
| SFZ | | LPO, Camaro fender badge, Black 1 - Not available with CG3, RIN. 2 - Not available with CG3, RIN, WBL. | A/D ¹ | A/D ² | A/D ² | A/D ² | -- | A/D ² | A/D ² | -- |
| VQL | | LPO, Fuel filler door in Black with visible carbon fiber insert | A/D | A/D | A/D | A/D | A/D | A/D | A/D | A/D |
| VTU | | LPO, Fuel filler door in Black with Gloss Black insert | A/D | A/D | A/D | A/D | A/D | A/D | A/D | A/D |

| Free Flow RPO Code | Ref. Only RPO Code | Description | 1LS | 1LT | 2LT | 3LT | LT1 | 1SS | 2SS | ZL1 |
|--------------------|--------------------|------------------------------------------------------------------------------------------------------------------------------------------------------------------------------------------------------------------------------------------------------------------------------------------------------------------------------------------------------------------------------------------------|------------------|------------------|------------------|------------------|------------------|------------------|------------------|------------------|
| | | | Coupe 1AG37 | Coupe 1AG37 | Coupe 1AH37 | Coupe 1AH37 | Coupe 1AJ37 | Coupe 1AJ37 | Coupe 1AK37 | Coupe 1AL37 |
| | | | 1LS | 1LT | 2LT | 3LT | 1LZ | 1SS | 2SS | 1SE |
| W0D | | LPO, Fuel filler door in Black with Red Hot insert 1 - Not available with exterior color (G16) Crush, (GKK) Riverside Blue Metallic, (GKO) Shock or (GSK) Wild Cherry Tintcoat. | A/D ¹ | A/D ¹ | A/D ¹ | A/D ¹ | A/D ¹ | A/D ¹ | A/D ¹ | A/D ¹ |
| W0E | | LPO, Fuel filler door in Black with Silver Ice Metallic insert | A/D | A/D | A/D | A/D | A/D | A/D | A/D | A/D |
| RZB | | LPO, Black lower grille with Red Hot inserts 1 - Not available with RO1, RO2 or exterior colors (G16) Crush, (GKK) Riverside Blue Metallic, (GKO) Shock or (GSK) Wild Cherry Tintcoat. | A/D ¹ | A/D ¹ | A/D ¹ | A/D ¹ | -- | -- | -- | -- |
| RO1 | | LPO, Black lower grille with Silver-painted inserts 1 - Not available with (RO2) Black lower grille with Gloss Black inserts, LPO. | A/D ¹ | A/D ¹ | A/D ¹ | A/D ¹ | -- | -- | -- | -- |
| RO2 | | LPO, Black lower grille with Gloss Black inserts 1 - Not available with (RO1) Black lower grille with Silver-painted inserts, LPO. | A/D ¹ | A/D ¹ | A/D ¹ | A/D ¹ | -- | -- | -- | -- |
| STI | | LPO, Satin Black rocker moldings 1 - Not available with 5VM, RMH, RZ3, VRV, VTD. | A/D ¹ | A/D ¹ | A/D ¹ | A/D ¹ | A/D ¹ | A/D ¹ | A/D ¹ | -- |
| RMH | | LPO, Front splitter, Carbon Flash Metallic 1 - Requires 5V5, 5ZU or D80. Not available with 5VM, RZ3, VTD. 2 - Not available with 5VM, RZ3, VTD. | A/D ¹ | A/D ¹ | A/D ¹ | A/D ¹ | A/D ¹ | A/D ² | A/D ² | -- |
| VRV | | LPO, Body-color painted splash guards 1 - Not available with 5VM, RMH, RZ3, STI, VTD or exterior colors (G16) Crush and (GKO) Shock. | A/D ¹ | A/D ¹ | A/D ¹ | A/D ¹ | A/D ¹ | A/D ¹ | A/D ¹ | -- |
| 5ZU | | LPO, Body-color blade spoiler 1 - Requires exterior color (G7C) Red Hot, (GAZ) Summit White, (GBA) Black or (GKK) Riverside Blue Metallic. Not available with any RPO stripe option. 2 - Requires (D80) decklid-mounted lip spoiler and exterior color (G7C) Red Hot, (GAZ) Summit White, (GBA) Black or (GKK) Riverside Blue Metallic. Not available with any RPO stripe option. | A/D ¹ | A/D ¹ | A/D ¹ | A/D ¹ | A/D ¹ | A/D ² | A/D ² | -- |
| 5ZZ | | LPO, Carbon Flash Metallic blade spoiler 1 - Not available with any RPO stripe option. | A/D ¹ | A/D ¹ | A/D ¹ | A/D ¹ | A/D ¹ | A/D ¹ | A/D ¹ | -- |
| 5ZV | | LPO, Satin Black blade spoiler 1 - Not available with any RPO stripe option. | A/D ¹ | A/D ¹ | A/D ¹ | A/D ¹ | A/D ¹ | A/D ¹ | A/D ¹ | -- |

| Free Flow RPO Code | Ref. Only RPO Code | Description | 1LS Coupe 1AG37 | 1LT Coupe 1AG37 | 2LT Coupe 1AH37 | 3LT Coupe 1AH37 | LT1 Coupe 1AJ37 | 1SS Coupe 1AJ37 | 2SS Coupe 1AK37 | ZL1 Coupe 1AL37 |
|--------------------|--------------------|------------------------------------------------------------------------------------------------------------------------------------------------------------------------------------------------------------------------------------------------------------------------------------------------------------------------------------------------------------------------------------------------------------------------------------------------------------|------------------|------------------|------------------|------------------|------------------|------------------|------------------|------------------|
| | | | 1LS | 1LT | 2LT | 3LT | 1LZ | 1SS | 2SS | 1SE |
| 5V5 | | LPO, Body-color high-wing spoiler 1 - Requires exterior color (G7C) Red Hot, (G9K) Satin Steel Metallic, (GAZ) Summit White, (GBA) Black or (GKK) Riverside Blue Metallic. Not available with any RPO stripe option. 2 - Requires (D80) decklid-mounted lip spoiler and exterior color (G7C) Red Hot, (G9K) Satin Steel Metallic, (GAZ) Summit White, (GBA) Black or (GKK) Riverside Blue Metallic. Not available with any RPO stripe option. | A/D ¹ | A/D ¹ | A/D ¹ | A/D ¹ | A/D ¹ | A/D ² | A/D ² | -- |
| SB2 | | LPO, Carbon Flash Metallic wing spoiler 1 - Not available with any RPO stripe option. | A/D ¹ | A/D ¹ | A/D ¹ | A/D ¹ | A/D ¹ | A/D ¹ | A/D ¹ | -- |
| 5ZW | | LPO, Satin Black wing spoiler 1 - Not available with any RPO stripe option. | A/D ¹ | A/D ¹ | A/D ¹ | A/D ¹ | A/D ¹ | A/D ¹ | A/D ¹ | -- |
| 6ZQ | | LPO, ZL1 1LE SPEC visible carbon fiber spoiler 1 - Requires 5VM, RMH, RZ3, VTD. Not available with any RPO stripe option. 2 - Not available with any RPO stripe option. | -- | -- | -- | -- | -- | A/D ¹ | A/D ¹ | A/D ² |
| SB3 | | LPO, ZL1 SPEC rear spoiler, body-color 1 - Requires exterior color (G7C) Red Hot, (GAZ) Summit White, (GBA) Black or (GKK) Riverside Blue Metallic. Not available with any stripes. | -- | -- | -- | -- | -- | A/D ¹ | A/D ¹ | -- |
| RY2 | | LPO, Black Metallic Hash Mark Stripes | A/D | A/D | A/D | A/D | A/D | A/D | A/D | -- |
| VPO | | LPO, Gray Hash Mark Stripes | A/D | A/D | A/D | A/D | A/D | A/D | A/D | -- |
| SNG | | LPO, Red Hash Mark Stripes 1 - Not available with exterior color (GSK) Wild Cherry Tintcoat. | A/D ¹ | A/D ¹ | A/D ¹ | A/D ¹ | A/D ¹ | A/D ¹ | A/D ¹ | -- |
| SF9 | | LPO, Blue Hash Mark Stripes 1 - Not available with exterior colors (G7C) Red Hot, (GKK) Riverside Blue Metallic or (GSK) Wild Cherry Tintcoat. | A/D ¹ | A/D ¹ | A/D ¹ | A/D ¹ | A/D ¹ | A/D ¹ | A/D ¹ | -- |
| SHQ | | LPO, Silver Hash Mark Stripes | A/D | A/D | A/D | A/D | A/D | A/D | A/D | -- |
| SFC | | LPO, White Pearl Hash Mark Stripes | A/D | A/D | A/D | A/D | A/D | A/D | A/D | -- |
| SHU | | LPO, Satin Black Hood Stripe with Red Hot Hash Mark | A/D | A/D | A/D | A/D | A/D | A/D | A/D | -- |
| SHS | | LPO, Satin Black Hood Stripe with Silver Ice Metallic Hash Mark | A/D | A/D | A/D | A/D | A/D | A/D | A/D | -- |
| VPW | | LPO, Black Metallic Body-Side Spear Stripes | A/D | A/D | A/D | A/D | A/D | A/D | A/D | -- |

| Free Flow RPO Code | Ref. Only RPO Code | Description | 1LS Coupe 1AG37 | 1LT Coupe 1AG37 | 2LT Coupe 1AH37 | 3LT Coupe 1AH37 | LT1 Coupe 1AJ37 | 1SS Coupe 1AJ37 | 2SS Coupe 1AK37 | ZL1 Coupe 1AL37 |
|--------------------|--------------------|--------------------------------------------------------------------------------------------------------------------------------------------------------------------|------------------|------------------|------------------|------------------|------------------|------------------|------------------|-----------------|
| | | | 1LS | 1LT | 2LT | 3LT | 1LZ | 1SS | 2SS | 1SE |
| SNS | | LPO, Blue Body-Side Spear Stripes 1 - Not available with exterior colors (G7C) Red Hot, (GKK) Riverside Blue Metallic or (GSK) Wild Cherry Tintcoat. | A/D ¹ | A/D ¹ | A/D ¹ | A/D ¹ | A/D ¹ | A/D ¹ | A/D ¹ | -- |
| SNQ | | LPO, Gray Body-Side Spear Stripes 1 - Not available with exterior color (GJI) Shadow Gray Metallic. | A/D ¹ | A/D ¹ | A/D ¹ | A/D ¹ | A/D ¹ | A/D ¹ | A/D ¹ | -- |
| SNP | | LPO, Red Body-Side Spear Stripes 1 - Not available with exterior color (G16) Crush, (G7C) Red Hot, (GKO) Shock or (GSK) Wild Cherry Tintcoat. | A/D ¹ | A/D ¹ | A/D ¹ | A/D ¹ | A/D ¹ | A/D ¹ | A/D ¹ | -- |
| SF8 | | LPO, Silver Body-Side Spear Stripes | A/D | A/D | A/D | A/D | A/D | A/D | A/D | -- |
| SNH | | LPO, White Pearl Body-Side Spear Stripes 1 - Not available with exterior color (GAZ) Summit White. | A/D ¹ | A/D ¹ | A/D ¹ | A/D ¹ | A/D ¹ | A/D ¹ | A/D ¹ | -- |
| SB7 | | LPO, Red Spider Stripes 1 - Not available with exterior colors (G7C) Red Hot or (GSK) Wild Cherry Tintcoat. | A/D ¹ | A/D ¹ | A/D ¹ | A/D ¹ | A/D ¹ | A/D ¹ | A/D ¹ | -- |
| SB9 | | LPO, Black Spider Stripes | A/D | A/D | A/D | A/D | A/D | A/D | A/D | -- |
| SNB | | LPO, Silver Spider Stripes | A/D | A/D | A/D | A/D | A/D | A/D | A/D | -- |
| SNC | | LPO, White Pearl Spider Stripes 1 - Not available with exterior color (GAZ) Summit White. | A/D ¹ | A/D ¹ | A/D ¹ | A/D ¹ | A/D ¹ | A/D ¹ | A/D ¹ | -- |
| SNJ | | LPO, Black Metallic Stinger Stripe | A/D | A/D | A/D | A/D | A/D | A/D | A/D | -- |
| SFA | | LPO, Red Stinger Stripe 1 - Not available with exterior color (G16) Crush, (G7C) Red Hot, (GKO) Shock or (GSK) Wild Cherry Tintcoat. | A/D ¹ | A/D ¹ | A/D ¹ | A/D ¹ | A/D ¹ | A/D ¹ | A/D ¹ | -- |
| SNE | | LPO, Silver Stinger Stripe | A/D | A/D | A/D | A/D | A/D | A/D | A/D | -- |
| SNM | | LPO, White Pearl Stinger Stripe 1 - Not available with exterior color (GAZ) Summit White. | A/D ¹ | A/D ¹ | A/D ¹ | A/D ¹ | A/D ¹ | A/D ¹ | A/D ¹ | -- |
| | VUP | LPO, Redline Edition graphics 1 - Included and only available with (WBL) Redline Edition. | -- | A/D ¹ | A/D ¹ | A/D ¹ | A/D ¹ | A/D ¹ | A/D ¹ | -- |
| SCY | | LPO, Dark finish tail lamps 1 - Not available with (B9M) dark tint tail lamps. 2 - Not available with (B9M) dark tint tail lamps or (WRS) RS Package. | A/D ¹ | A/D ² | A/D ² | A/D ² | -- | -- | -- | -- |
| RWH | | LPO, Indoor vehicle cover , Black with Camaro logo | A/D | A/D | A/D | A/D | A/D | A/D | A/D | -- |
| RWH | | LPO, Indoor vehicle cover , Black with ZL1 logo | -- | -- | -- | -- | -- | -- | -- | A/D |
| VDN | | LPO, Indoor vehicle cover , Gray | A/D | A/D | A/D | A/D | A/D | A/D | A/D | A/D |
| SL1 | | LPO, Indoor vehicle cover , Red | A/D | A/D | A/D | A/D | A/D | A/D | A/D | A/D |

| Free Flow RPO Code | Ref. Only RPO Code | Description | 1LS Coupe 1AG37 | 1LT Coupe 1AG37 | 2LT Coupe 1AH37 | 3LT Coupe 1AH37 | LT1 Coupe 1AJ37 | 1SS Coupe 1AJ37 | 2SS Coupe 1AK37 | ZL1 Coupe 1AL37 |
|--------------------|--------------------|------------------------------------------------------------------------------------------------------------------------------------------------------------------------------------------------------------------------------------------------------------------------------------------------|-----------------|------------------|------------------|------------------|------------------|------------------|------------------|------------------|
| | | | 1LS | 1LT | 2LT | 3LT | 1LZ | 1SS | 2SS | 1SE |
| RWJ | | LPO, Outdoor vehicle cover, Black | A/D | A/D | A/D | A/D | A/D | A/D | A/D | A/D |
| VRU | | LPO, Outdoor vehicle cover, Gray | A/D | A/D | A/D | A/D | A/D | A/D | A/D | A/D |
| RNX | | LPO, Outdoor vehicle cover, Red | A/D | A/D | A/D | A/D | A/D | A/D | A/D | A/D |
| VGS | | LPO, Outdoor vehicle cover, Gray, ZL1 logo | -- | -- | -- | -- | -- | -- | -- | A/D |
| RXH | | LPO, Silver RS wheel center caps 1 - Requires (WRS) RS Package. Not available with RTH, SHL. | -- | A/D ¹ | A/D ¹ | A/D ¹ | -- | -- | -- | -- |
| VW9 | | LPO, Black SS wheel center caps | -- | -- | -- | -- | -- | A/D | A/D | -- |
| RXJ | | LPO, Silver SS wheel center caps 1 - Not available with 56H, 56V. | -- | -- | -- | -- | -- | A/D ¹ | A/D ¹ | -- |
| 5ZB | | LPO, Camaro logo wheel center caps 1 - Not available with RTH, SHL. 2 - Not available with (RTH) 20" 5-spoke Carbon Flash painted aluminum wheels. 3 - Not available with (56H) SS 20" (50.8 cm) 5-spoke gloss Black wheels with Red stripe, LPO. 4 - Not available with 56H, 56V. | -- | A/D ¹ | A/D ¹ | A/D ¹ | A/D ² | A/D ³ | A/D ⁴ | -- |
| | VWD | LPO, Gloss Black wheel center caps with Silver bowtie 1 - Included and only available with (SHL) 20" 5-spoke gloss Black wheels with Red outline stripe, LPO. 2 - Included and only available with (56H) SS 20" 5-spoke gloss Black wheels with Red stripe, LPO. | -- | A/D ¹ | A/D ¹ | A/D ¹ | -- | A/D ² | A/D ² | -- |
| 5ZD | | LPO, Wheel center caps, Performance 1 - Not available with SHL, SKW. 2 - Not available with 56H, 56M. | -- | A/D ¹ | A/D ¹ | A/D ¹ | A/D | A/D ² | A/D ² | -- |
| SFE | | LPO, Wheel locks 1 - (SFE) Wheel locks is included with all LPO wheels. | A/D | A/D ¹ | A/D ¹ | A/D ¹ | A/D ¹ | A/D ¹ | A/D ¹ | A/D |
| SPZ | | LPO, Black wheel locks 1 - Not available with (SFE) wheel locks, LPO. | -- | A/D ¹ | A/D ¹ | A/D ¹ | A/D ¹ | A/D ¹ | A/D ¹ | A/D ¹ |
| SPY | | LPO, Black lug nuts 1 - Not available with (SFE) wheel locks, LPO. | -- | A/D ¹ | A/D ¹ | A/D ¹ | A/D ¹ | A/D ¹ | A/D ¹ | A/D ¹ |

| Free Flow RPO Code | Ref. Only RPO Code | Description | 1LS | 1LT | 2LT | 3LT | LT1 | 1SS | 2SS | ZL1 |
|--------------------|--------------------|-----------------------------------------------------------------------------------------------------------------------------------------------------------------------------------------------------------------------------------------------------------------------------------------------------------------------------------------------------------------------------------------------------------------------------------------------------------------------------------------------------------------------------------------------------------------------------------------------------------------------------|-------------|------------------|------------------|------------------|------------------|------------------|------------------|-------------|
| | | | Coupe 1AG37 | Coupe 1AG37 | Coupe 1AH37 | Coupe 1AH37 | Coupe 1AJ37 | Coupe 1AJ37 | Coupe 1AK37 | Coupe 1AL37 |
| | | | 1LS | 1LT | 2LT | 3LT | 1LZ | 1SS | 2SS | 1SE |
| SHL | | <p>LPO, 20" (50.8 cm) 5-spoke gloss Black wheels with Red outline stripe. When ordering SHL with other optional wheels, 2 complete sets of wheels are being ordered. Please ensure customer desires both sets of wheels before proceeding to place order with LPO wheels SHL.</p> <p>1 - Includes (VWD) Gloss Black wheel center caps with Silver bowtie, LPO. Not available with (SFE) wheel locks, LPO. When ordered with factory-installed (REG) 18" Silver-painted aluminum wheels, a more sporty ride will be experienced and will include 20" tires.</p> <p>2 - Not available with (SFE) wheel locks, LPO.</p> | -- | A/D ¹ | A/D ¹ | A/D ¹ | A/D ² | -- | -- | -- |
| 56H | | <p>LPO, SS 20" (50.8 cm) 5-spoke gloss Black wheels with Red stripe. When ordering 56H with other optional wheels, 2 complete sets of wheels are being ordered. Please ensure customer desires both sets of wheels before proceeding to place order with LPO wheels 56H. Includes (VWD) Gloss Black wheel center caps with Silver bowtie, LPO.</p> <p>1 - Not available with (SFE) wheel locks, LPO.</p> | -- | -- | -- | -- | -- | A/D ¹ | A/D ¹ | -- |
| SKW | | <p>LPO, 20" (50.8 cm) 5-split spoke machined-face wheels. When ordering SKW with other optional wheels, 2 complete sets of wheels are being ordered. Please ensure customer desires both sets of wheels before proceeding to place order with LPO wheels SKW.</p> <p>1 - Not available with (SFE) wheel locks, LPO. When ordered with factory-installed (REG) 18" Silver-painted aluminum wheels, a more sporty ride will be experienced and will include 20" tires.</p> <p>2 - Not available with (SFE) wheel locks, LPO.</p> | -- | A/D ¹ | A/D ¹ | A/D ¹ | A/D ² | -- | -- | -- |
| 56M | | <p>LPO, SS 20" (50.8 cm) 5-split spoke machined-face wheels. When ordering 56M with other optional wheels, 2 complete sets of wheels are being ordered. Please ensure customer desires both sets of wheels before proceeding to place order with LPO wheels 56M.</p> <p>1 - Not available with (SFE) wheel locks, LPO.</p> | -- | -- | -- | -- | -- | A/D ¹ | A/D ¹ | -- |

| Free Flow RPO Code | Ref. Only RPO Code | Description | 1LS Coupe 1AG37 | 1LT Coupe 1AG37 | 2LT Coupe 1AH37 | 3LT Coupe 1AH37 | LT1 Coupe 1AJ37 | 1SS Coupe 1AJ37 | 2SS Coupe 1AK37 | ZL1 Coupe 1AL37 |
|--------------------|--------------------|-----------------------------------------------------------------------------------------------------------------------------------------------------------------------------------------------------------------------------------------------------------------------------------------------------------------------------|------------------|------------------|---------------------------------------------------------------------------------------------------------------------------------------------------------------------------------------------------------------------------------------------------------------------------------------------------------------------------------------------------------------------------------------------------------------------------------------------------------------------------------------------------------------------------------------|------------------|------------------|------------------|------------------|------------------|
| | | | 1LS | 1LT | 2LT | 3LT | 1LZ | 1SS | 2SS | 1SE |
| | | | 5JX | | LPO, LT 20" (50.8 cm) 5-split spoke Satin Black wheels. When ordering 5JX with other optional wheels, 2 complete sets of wheels are being ordered. Please ensure customer desires both sets of wheels before proceeding to place order with LPO wheels 5JX. 1 - Not available with (SFE) wheel locks, LPO. When ordered with factory-installed (REG) 18" Silver-painted aluminum wheels, a more sporty ride will be experienced and will include 20" tires. 2 - Not available with (SFE) wheel locks, LPO. | -- | A/D ¹ | A/D ¹ | A/D ¹ | A/D ² |
| 57S | | LPO, SS 20" (50.8 cm) 5-split spoke Satin Black wheels. When ordering 57S with other optional wheels, 2 complete sets of wheels are being ordered. Please ensure customer desires both sets of wheels before proceeding to place order with LPO wheels 57S. 1 - Not available with (SFE) wheel locks, LPO. | -- | -- | -- | -- | -- | A/D ¹ | A/D ¹ | -- |
| SIA | | LPO, Wicker bill 1 - Requires (5ZU) Body-color blade spoiler, LPO. 2 - Requires (5ZU) Body-color blade spoiler, LPO or (A1X/A1Y) 1LE Track Performance Package. | A/D ¹ | A/D ² | A/D ² | A/D ² | A/D ¹ | A/D ² | A/D ² | -- |
| | DG7 | Mirrors , outside power-adjustable, body-color | S | S | S | -- | S | S | -- | -- |
| | DD1 | Mirrors , outside heated power-adjustable and driver-side auto-dimming, body-color | -- | -- | -- | S | -- | -- | S | S |
| | UFG | Rear Cross Traffic Alert | -- | -- | -- | S | -- | -- | S | S |
| | UD7 | Rear Park Assist | -- | -- | -- | S | -- | -- | S | S |
| | D5Z | Spoiler , rear, stanchion | -- | -- | -- | -- | -- | S | S | -- |
| | D52 | Spoiler , rear, sport | -- | -- | -- | -- | -- | -- | -- | S |
| D80 | | Spoiler , decklid-mounted lip spoiler 1 - Included with (A9B) Satin Black Appearance Package. 2 - Included with (A9B) Satin Black Appearance Package or (WRS) RS Package. 3 - Included and only available with 5V5, 5ZU, 5ZV, 5ZW, 5ZZ, SB2. | A ¹ | A ² | A ² | A ² | A ² | A ³ | A ³ | -- |
| | D5S | Spoiler , rear, blade, Satin Black 1 - Included and only available with (A1X/A1Y) 1LE Track Performance Package. | -- | A ¹ | A ¹ | A ¹ | -- | A ¹ | A ¹ | -- |

| Free Flow RPO Code | Ref. Only RPO Code | Description | 1LS Coupe 1AG37 | 1LT Coupe 1AG37 | 2LT Coupe 1AH37 | 3LT Coupe 1AH37 | LT1 Coupe 1AJ37 | 1SS Coupe 1AJ37 | 2SS Coupe 1AK37 | ZL1 Coupe 1AL37 |
|--------------------|--------------------|---------------------------------------------------------------------------------------------------------------------------------------------------------------------------------------------------------------------------------|-----------------|-----------------|-----------------|-----------------|-----------------|-----------------|-----------------|-----------------|
| | | | 1LS | 1LT | 2LT | 3LT | 1LZ | 1SS | 2SS | 1SE |
| | T42 | Spoiler, rear, visible weave carbon fiber 1 - Included and only available with (A1Z) ZL1 1LE Extreme Track Performance Package. | -- | -- | -- | -- | -- | -- | -- | A ¹ |
| DUU | | Black Center Stripe 1 - Not available with exterior color (GBA) Black. | A ¹ | A ¹ | A ¹ | A ¹ | -- | -- | -- | -- |
| DW8 | | Black Metallic Center Stripe | -- | -- | -- | -- | A | A | A | -- |
| DVV | | Black Metallic Center Stripe 1 - Roof, decklid and spoiler only, Not available with (CFW) Carbon Fiber weave hood insert. | -- | -- | -- | -- | -- | -- | -- | A ¹ |
| DUV | | Silver Center Stripe | A | A | A | A | A | A | A | -- |
| DW7 | | White Pearl Center Stripe 1 - Not available with exterior color (GAZ) Summit White. | A ¹ | A ¹ | A ¹ | A ¹ | A ¹ | A ¹ | A ¹ | -- |
| C3O | | Black Rally Stripes 1 - Not available with exterior color (GBA) Black. | A ¹ | A ¹ | A ¹ | A ¹ | -- | -- | -- | -- |
| BO4 | | Black Metallic Rally Stripes | -- | -- | -- | -- | A | A | A | -- |
| C2U | | Silver Rally Stripes | A | A | A | A | A | A | A | -- |
| BO3 | | White Pearl Rally Stripes 1 - Not available with exterior color (GAZ) Summit White. | A ¹ | A ¹ | A ¹ | A ¹ | A ¹ | A ¹ | A ¹ | -- |
| | | Tail lamps, dark tint 1 - Included and only available with (WRS) RS Package. | -- | A ¹ | A ¹ | A ¹ | A ¹ | S | S | S |
| B9M | | Tail lamps, dark tint 1 - Not available with (WRS) RS Package since it already includes dark tint tail lamps. | A | A ¹ | A ¹ | A ¹ | -- | -- | -- | -- |
| | KTI | Tire inflation kit 1 - Included and only available with (R0H) 245/50R18, blackwall, all-season tires. 2 - Included and only available with (R0G) 285/30R20 front and 305/30R20 rear, blackwall, summer-only tires. | A ¹ | A ¹ | A ¹ | A ¹ | -- | A ² | A ² | S |
| | R0H | Tires, 245/50R18, blackwall, all-season, includes (KTI) tire inflator kit | S | S | S | S | -- | -- | -- | -- |

| Free Flow RPO Code | Ref. Only RPO Code | Description | 1LS | 1LT | 2LT | 3LT | LT1 | 1SS | 2SS | ZL1 |
|--------------------|--------------------|------------------------------------------------------------------------------------------------------------------------------------------------------------------------------------------------------------------------------------------------------------------------------------------------------------------------------------------------------------------------------------------------------------------------------------------------------------------------------------------------------------------------------------------------------------------------------------------------------------------------------------------------------------------------------------------------------------------------------------------------------------------------------------------------------------------------------------------------------------------------------------------------------------------------------------------------------------------------------------------------------------------------------------------------------------------------------------------------------------------------------|-------------|----------------|----------------|----------------|-------------|----------------|----------------|----------------|
| | | | Coupe 1AG37 | Coupe 1AG37 | Coupe 1AH37 | Coupe 1AH37 | Coupe 1AJ37 | Coupe 1AJ37 | Coupe 1AK37 | Coupe 1AL37 |
| | | | 1LS | 1LT | 2LT | 3LT | 1LZ | 1SS | 2SS | 1SE |
| | R0F | <p>Tires, 245/40ZR20 front and 275/35ZR20 rear, blackwall, summer-only, run-flat</p> <p>1 - Included and only available with (A1X) 1LE Track Performance Package. Do not use summer only tires in winter conditions, as it would adversely affect vehicle safety, performance and durability. Use only GM-approved tire and wheel combinations. Unapproved combinations may change the vehicle's performance characteristics. For important tire and wheel information, go to https://my.chevrolet.com/learnAbout/chevrolet/tires or see your dealer.</p> <p>2 - Do not use summer only tires in winter conditions, as it would adversely affect vehicle safety, performance and durability. Use only GM-approved tire and wheel combinations. Unapproved combinations may change the vehicle's performance characteristics. For important tire and wheel information, go to https://my.chevrolet.com/learnAbout/chevrolet/tires or see your dealer.</p> | -- | A ¹ | A ¹ | A ¹ | -- | S ² | S ² | -- |
| | R0G | <p>Tires, 285/30R20 front and 305/30R20 rear, blackwall, summer-only</p> <p>1 - Included and only available with (A1Y) SS 1LE Track Performance Package. Includes (KTI) tire inflator kit. Do not use summer only tires in winter conditions, as it would adversely affect vehicle safety, performance and durability. Use only GM-approved tire and wheel combinations. Unapproved combinations may change the vehicle's performance characteristics. For important tire and wheel information, go to https://my.chevrolet.com/learnAbout/chevrolet/tires or see your dealer.</p> <p>2 - Do not use summer only tires in winter conditions, as it would adversely affect vehicle safety, performance and durability. Use only GM-approved tire and wheel combinations. Unapproved combinations may change the vehicle's performance characteristics. For important tire and wheel information, go to https://my.chevrolet.com/learnAbout/chevrolet/tires or see your dealer.</p> | -- | -- | -- | -- | -- | A ¹ | A ¹ | S ² |
| | R29 | <p>Tires, 245/40R20, blackwall, all-season, run-flat</p> <p>1 - Included and only available with (RTJ/RTH/RQ9/WR1/SRI/5K9) 20" wheels.</p> | -- | A ¹ | A ¹ | A ¹ | S | -- | -- | -- |

| Free Flow RPO Code | Ref. Only RPO Code | Description | 1LS Coupe 1AG37 | 1LT Coupe 1AG37 | 2LT Coupe 1AH37 | 3LT Coupe 1AH37 | LT1 Coupe 1AJ37 | 1SS Coupe 1AJ37 | 2SS Coupe 1AK37 | ZL1 Coupe 1AL37 |
|--------------------|--------------------|---------------------------------------------------------------------------------------------------------------------------------------------------------------------------------------------------------------------------------------------------------------------------------------------------------------------------------------------------------------------------------------------------------------------------------------------------------------------------------------------------------------------------------------------------------------------------------------------------------------------------------|-----------------|-----------------|-----------------|-----------------|-----------------|-----------------|-----------------|-----------------|
| | | | 1LS | 1LT | 2LT | 3LT | 1LZ | 1SS | 2SS | 1SE |
| | R6O | Tires , 305/30R19 front and 325/30R19 rear, blackwall, summer-only 1 - Included and only available with (A1Z) ZL1 1LE Extreme Track Performance Package. Do not use summer only tires in winter conditions, as it would adversely affect vehicle safety, performance and durability. Use only GM-approved tire and wheel combinations. Unapproved combinations may change the vehicle's performance characteristics. For important tire and wheel information, go to https://my.chevrolet.com/learnAbout/chevrolet/tires or see your dealer. | -- | -- | -- | -- | -- | -- | -- | A ¹ |
| | SGE | Wheels , 18" (45.7 cm) 5-split spoke Silver-painted aluminum | S | -- | -- | -- | -- | -- | -- | -- |
| | REG | Wheels , 18" (45.7 cm) Silver-painted aluminum | -- | S | S | S | -- | -- | -- | -- |
| | RQA | Wheels , 20" (50.8 cm) Silver-painted aluminum | -- | -- | -- | -- | S | -- | -- | -- |
| | 56S | Wheels , 20" x 8.5" (50.8 cm x 21.6 cm) front and 20" x 9.5" (50.8 cm x 24.1 cm) rear bright 5-spoke Silver-painted aluminum | -- | -- | -- | -- | -- | S | S | -- |
| | RTQ | Wheels , 20" x 10" (50.8 cm x 25.4 cm) front and 20" x 11" (50.8 cm x 27.9 cm) rear Dark Graphite premium paint, forged aluminum | -- | -- | -- | -- | -- | -- | -- | S |
| | RTJ | Wheels , 20" (50.8 cm) 5-spilt spoke bright Silver-painted aluminum 1 - Requires (WRS) RS Package. | -- | A ¹ | A ¹ | A ¹ | A | -- | -- | -- |
| | RTH | Wheels , 20" (50.8 cm) 5-spoke Carbon Flash painted aluminum | -- | A | A | A | A | -- | -- | -- |
| | RQ9 | Wheels , 20" (50.8 cm) 5-split spoke premium Gray-painted, machined-face aluminum 1 - Included and only available with (WRS) RS Package. | -- | A ¹ | A ¹ | A ¹ | A | -- | -- | -- |
| | WR1 | Wheels , 20" (50.8 cm) 5-split spoke polished forged with Black star center cap 1 - Requires (WRS) RS Package. | -- | A ¹ | A ¹ | A ¹ | A | -- | -- | -- |
| | 5K9 | Wheels , 20" (50.8 cm) Caliente 1 - Requires (WRS) RS Package. | -- | A ¹ | A ¹ | A ¹ | A | -- | -- | -- |
| | 56Z | Wheels , 20" x 8.5" (50.8 cm x 21.6 cm) front and 20" x 9.5" (50.8 cm x 24.1 cm) rear low gloss Black-painted forged aluminum 1 - Included and only available with (A1X) 1LE Track Performance Package. | -- | A ¹ | A ¹ | A ¹ | -- | -- | -- | -- |

| Free Flow RPO Code | Ref. Only RPO Code | Description | 1LS Coupe 1AG37 | 1LT Coupe 1AG37 | 2LT Coupe 1AH37 | 3LT Coupe 1AH37 | LT1 Coupe 1AJ37 | 1SS Coupe 1AJ37 | 2SS Coupe 1AK37 | ZL1 Coupe 1AL37 |
|--------------------|--------------------|------------------------------------------------------------------------------------------------------------------------------------------------------------------------------------------------------------------------------------|-----------------|-----------------|-----------------|-----------------|-----------------|-----------------|-----------------|-----------------|
| | | | 1LS | 1LT | 2LT | 3LT | 1LZ | 1SS | 2SS | 1SE |
| | SRI | Wheels, 20" (50.8 cm) Black-painted aluminum with Red accents 1 - Included and only available with (WBL) Redline Edition. | -- | A ¹ | A ¹ | A ¹ | A ¹ | -- | -- | -- |
| 56R | | Wheels, 20" x 8.5" (50.8 cm x 21.6 cm) front and 20" x 9.5" (50.8 cm x 24.1 cm) rear 5-split spoke premium Gray-painted machined-face aluminum | -- | -- | -- | -- | -- | A | A | -- |
| 56W | | Wheels, 20" x 8.5" (50.8 cm x 21.6 cm) front and 20" x 9.5" (50.8 cm x 24.1 cm) rear 5-split spoke bright Silver-painted aluminum | -- | -- | -- | -- | -- | A | A | -- |
| 56V | | Wheels, 20" x 8.5" (50.8 cm x 21.6 cm) front and 20" x 9.5" (50.8 cm x 24.1 cm) rear 5-spoke Carbon Flash painted aluminum | -- | -- | -- | -- | -- | A | A | -- |
| 57W | | Wheels, 20" x 8.5" (50.8 cm x 21.6 cm) front and 20" x 9.5" (50.8 cm x 24.1 cm) rear 5-split spoke polished forged with Black star center cap | -- | -- | -- | -- | -- | A | A | -- |
| 57V | | Wheels, 20" x 8.5" (50.8 cm x 21.6 cm) front and 20" x 9.5" (50.8 cm x 24.1 cm) rear Caliente | -- | -- | -- | -- | -- | A | A | -- |
| | 58E | Wheels, 20" x 8.5" (50.8 cm x 21.6 cm) front and 20" x 9.5" (50.8 cm x 24.1 cm) rear Black-painted aluminum with Red accents 1 - Included and only available with (WBL) Redline Edition. | -- | -- | -- | -- | -- | A ¹ | A ¹ | -- |
| | RSK | Wheels, 20" x 10" (50.8 cm x 25.4 cm) front and 20" x 11" (50.8 cm x 27.9 cm) rear Satin Graphite forged aluminum 1 - Included and only available with (A1Y) SS 1LE Track Performance Package. | -- | -- | -- | -- | -- | A ¹ | A ¹ | -- |
| | PKJ | Wheels, 19" x 11" (48.3 cm x 27.9 cm) front and 19" x 12" (48.3 cm x 30.48 cm) rear low gloss Black-painted forged aluminum 1 - Included and only available with (A1Z) ZL1 1LE Extreme Track Performance Package. | -- | -- | -- | -- | -- | -- | -- | A ¹ |
| | | Wipers, front variable-speed, intermittent with washers | S | S | S | S | S | S | S | S |

S = Standard Equipment A = Available --(dashes) = Not Available D = ADI Available

■ = Included in Equipment Group □ = Included in Equipment Group but upgradeable

Codes listed in the shaded column titled Ref. Only RPO Code are for internal use only and should not be ordered.

| Free Flow RPO Code | Ref. Only RPO Code | Description | 1LT | 2LT | 3LT | LT1 | 1SS | 2SS | ZL1 | |
|--------------------|--------------------|----------------------------------------------------------------------------------------------------------------------------------------------------------------------------------------------------------------------------------------------------------------------------------------------------------------------------------------------------------------------------------------------------------------------------------------------------------------------------------------------------------------------------------------------------------------------------------------------------------------------------------------------------------------------|----------------|----------------|----------------|----------------|----------------|----------------|-------------|-------------|
| | | | Convertible | Convertible | Convertible | Convertible | Convertible | Convertible | Convertible | Convertible |
| | | | 1AG67 | 1AH67 | 1AH67 | 1AJ67 | 1AJ67 | 1AK67 | 1AL67 | |
| | | | 1LT | 2LT | 3LT | 1LZ | 1SS | 2SS | 1SE | |
| WBL | | Redline Edition , includes (SRI/58E) 20" Black-painted aluminum wheels with Red accents, (CG6) Black Camaro fender badge with Red outline, (VUP) Redline Edition graphics, LPO, (3F9) Red seat belt color, (2F5) Red knee pads and (VYW) Premium carpeted floor mats, LPO 1 - Requires (WRS) RS Package, (19T) Black convertible top, (H1T/H0Y) Jet Black interior and exterior color (G9K) Satin Steel Metallic, (GAZ) Summit White or (GBA) Black. Not available with P3H, RO1, RO2, RZB. 2 - Requires (19T) Black convertible top, (H1T/H0Y) Jet Black interior and exterior color (G9K) Satin Steel Metallic, (GAZ) Summit White or (GBA) Black. | A ¹ | A ¹ | A ¹ | A ¹ | A ² | A ² | -- | |
| WRS | | RS Package , includes dark tint LED tail lamps, RS-specific grilles, and Black front and rear bowties 1 - Also includes (RQ9) 20" 5-split spoke premium Gray-painted, machined-face aluminum wheels. Wheels are upgradeable to RTJ/RTH/WR1/5K9, or upgraded to package specific wheels. | A ¹ | A ¹ | A ¹ | A | -- | -- | -- | |
| A9B | | Satin Black Appearance Package , includes Satin Black outside mirrors and rear spoiler | A | A | A | A | A | A | -- | |
| PDL | | NEW! Wild Cherry Design Package 1 , includes (RY2) Black Metallic Hash Mark Stripes, LPO (5ZB) Camaro logo wheel center caps, LPO, (WR1/57W) 20" 5-split spoke polished forged wheels with Black star center cap and (VYW) premium carpeted floor mats with Camaro logo, LPO 1 - Also includes (CG3) Camaro fender badge emblem. Requires exterior color (GSK) Wild Cherry Tintcoat and (WRS) RS Package. Wheel RPO is WR1. 2 - Requires exterior color (GSK) Wild Cherry Tintcoat and (WRS) RS Package. Wheel RPO is WR1. 3 - Also includes (CG3) Camaro fender badge emblem. Requires exterior color (GSK) Wild Cherry Tintcoat. Wheel RPO is 57W. | A ¹ | A ¹ | A ¹ | A ² | A ³ | A ³ | -- | |

| Free Flow RPO Code | Ref. Only RPO Code | Description | 1LT | 2LT | 3LT | LT1 | 1SS | 2SS | ZL1 |
|--------------------|--------------------|---------------------------------------------------------------------------------------------------------------------------------------------------------------------------------------------------------------------------------------------------------------------------------------------------------------------------------------------------------------------------------------------------------------------------------------------------------------------------------------------------------------------------------------------------------------------------------------------------------------------------|------------------|------------------|------------------|------------------|------------------|------------------|------------------|
| | | | Convertible | Convertible | Convertible | Convertible | Convertible | Convertible | Convertible |
| | | | 1AG67 | 1AH67 | 1AH67 | 1AJ67 | 1AJ67 | 1AK67 | 1AL67 |
| | | | 1LT | 2LT | 3LT | 1LZ | 1SS | 2SS | 1SE |
| PDN | | NEW! Wild Cherry Design Package 2 , includes (PDL) Wild Cherry Design Package 1, (SOU) Black sueded knee pads, LPO, (VQL) Fuel filler door in Black with visible carbon fiber insert, LPO, (VTD) Carbon Flash Metallic, second generation Ground Effects, LPO and (DUU/DUV/DW8) Center Stripe 1 - Requires exterior color (GSK) Wild Cherry Tintcoat and the selection of either (DUU) Black Center Stripe or (DUV) Silver Center Stripe. 2 - Requires exterior color (GSK) Wild Cherry Tintcoat and the selection of either (DW8) Black Metallic Center Stripe or (DUV) Silver Center Stripe. | -- | A ¹ | A ¹ | -- | -- | A ² | -- |
| | UB3 | Antenna , AM/FM, located in rear spoiler | S | S | S | S | S | S | S |
| | | Antenna , OnStar and SiriusXM Radio, fin-type 1 - Body-color. | S ¹ | S ¹ | S ¹ | S ¹ | S ¹ | S ¹ | S ¹ |
| | | Bowties , Black, front and rear 1 - Included and only available with (WRS) RS Package. | A ¹ | A ¹ | A ¹ | S | S | S | S |
| P3H | | Bowties , Black, front and rear 1 - Not available with (WRS) RS Package. | A ¹ | A ¹ | A ¹ | -- | -- | -- | -- |
| | CM8 | Convertible top , power-folding, remote control (down only), includes glass rear window with integral defogger | S | S | S | S | S | S | S |
| | | Daytime Running Lamps , LED | S | S | S | S | S | S | S |
| CG3 | | Emblem , Camaro fender badge 1 - Not available with (WBL) Redline Edition. | A ¹ | A ¹ | A ¹ | -- | A ¹ | A ¹ | -- |
| | CG6 | Emblem , Black Camaro fender badge with Red outline 1 - Included and only available with (WBL) Redline Edition. | A ¹ | A ¹ | A ¹ | A ¹ | A ¹ | A ¹ | -- |
| | | Fueling system , capless | S | S | S | S | S | S | S |
| CFW | | Hood insert , visible Carbon Fiber weave | -- | -- | -- | -- | -- | -- | A |
| | UKC | Lane Change Alert with Side Blind Zone Alert | -- | -- | S | -- | -- | S | S |
| VK3 | | License plate bracket , front 1 - Will be forced on orders with ship-to states that require a front license plate. | A ¹ | A ¹ | A ¹ | A ¹ | A ¹ | A ¹ | A ¹ |
| PCJ | | LPO, Dark Tint Rear Lighting Package , includes (62O) Clear CHMSL, LPO and (SCY) Dark finish tail lamps, LPO 1 - Not available with (WRS) RS Package or (B9M) Dark tint tail lamps. | A/D ¹ | A/D ¹ | A/D ¹ | -- | -- | -- | -- |
| PCL | | LPO, Black Wheel Lug Nuts and Locks Package , includes (SPZ) Black wheel locks, LPO and (SPY) Black lug nuts, LPO 1 - Not available with (SFE) wheel locks, LPO. | A/D ¹ | A/D ¹ | A/D ¹ | A/D ¹ | A/D ¹ | A/D ¹ | A/D ¹ |

| Free Flow RPO Code | Ref. Only RPO Code | Description | 1LT | 2LT | 3LT | LT1 | 1SS | 2SS | ZL1 |
|--------------------|--------------------|-----------------------------------------------------------------------------------------------------------------------------------------------------------------------------------------------------------------------------------------------------------------------------------------------------------------------------------|------------------|------------------|------------------|------------------|------------------|------------------|------------------|
| | | | Convertible | Convertible | Convertible | Convertible | Convertible | Convertible | Convertible |
| | | | 1AG67 | 1AH67 | 1AH67 | 1AJ67 | 1AJ67 | 1AK67 | 1AL67 |
| | | | 1LT | 2LT | 3LT | 1LZ | 1SS | 2SS | 1SE |
| 5VM | | LPO, Ground Effects Package 1 - Requires (WRS) RS Package and exterior color (G9K) Satin Steel Metallic, (GAZ) Summit White or (GBA) Black. Not available with RMH, RZ3, VRV, VTD. 2 - Requires exterior color (G9K) Satin Steel Metallic, (GAZ) Summit White or (GBA) Black. Not available with RMH, RZ3, VRV, VTD. | A/D ¹ | A/D ¹ | A/D ¹ | A/D ² | A/D ² | A/D ² | -- |
| VTD | | LPO, Ground effects, Carbon Flash Metallic, second generation 1 - Not available with 5VM, RMH, RZ3 or VRV. | A/D ¹ | A/D ¹ | A/D ¹ | A/D ¹ | A/D ¹ | A/D ¹ | -- |
| RIK | | LPO, Black front and rear bowtie emblems 1 - Not available with (WRS) RS Package, (R88) Front illuminated and rear non-illuminated bowtie emblems in Black, LPO or (P3H) Black front and rear bowties. | A/D ¹ | A/D ¹ | A/D ¹ | -- | -- | -- | -- |
| R88 | | LPO, Front illuminated and rear non-illuminated bowtie emblems in Black 1 - Not available with (RIK) Black front and rear bowtie emblems, LPO or (P3H) Black front and rear bowties. | A/D ¹ | A/D ¹ | A/D ¹ | A/D | -- | -- | -- |
| | 62O | LPO, Clear CHMSL (Center High Mount Stop Lamp) 1 - Included and only available with (PCJ) Dark Tint Rear Lighting Package, LPO. | A/D ¹ | A/D ¹ | A/D ¹ | -- | -- | -- | -- |
| RZ3 | | LPO, Front splitter 1 - Requires (WRS) RS Package and exterior color (G9K) Satin Steel Metallic, (GAZ) Summit White or (GBA) Black. Not available with 5VM, RMH or VTD. 2 - Requires exterior color (G9K) Satin Steel Metallic, (GAZ) Summit White or (GBA) Black. Not available with 5VM, RMH or VTD. | A/D ¹ | A/D ¹ | A/D ¹ | A/D ² | A/D ² | A/D ² | -- |
| SL2 | | LPO, Front fascia extension, Satin Black, second generation 1 - Not available with 5VM, RMH, RZ3 or VTD. | A/D ¹ | A/D ¹ | A/D ¹ | A/D ¹ | A/D ¹ | A/D ¹ | -- |
| RIN | | LPO, Camaro logo fender badge 1 - Not available with CG3, SFZ, WBL. | A/D ¹ | A/D ¹ | A/D ¹ | -- | A/D ¹ | A/D ¹ | -- |
| SFZ | | LPO, Camaro fender badge, Black 1 - Not available with CG3, RIN, WBL. | A/D ¹ | A/D ¹ | A/D ¹ | -- | A/D ¹ | A/D ¹ | -- |
| VQL | | LPO, Fuel filler door in Black with visible carbon fiber insert | A/D | A/D | A/D | A/D | A/D | A/D | A/D |
| VTU | | LPO, Fuel filler door in Black with Gloss Black insert | A/D | A/D | A/D | A/D | A/D | A/D | A/D |
| W0D | | LPO, Fuel filler door in Black with Red Hot insert 1 - Not available with exterior color (G16) Crush, (GKK) Riverside Blue Metallic, (GKO) Shock or (GSK) Wild Cherry Tintcoat. | A/D ¹ | A/D ¹ | A/D ¹ | A/D ¹ | A/D ¹ | A/D ¹ | A/D ¹ |
| W0E | | LPO, Fuel filler door in Black with Silver Ice Metallic insert | A/D | A/D | A/D | A/D | A/D | A/D | A/D |

| Free Flow RPO Code | Ref. Only RPO Code | Description | 1LT | 2LT | 3LT | LT1 | 1SS | 2SS | ZL1 |
|--------------------|--------------------|--------------------------------------------------------------------------------------------------------------------------------------------------------------------------------------------------|------------------|------------------|------------------|------------------|------------------|------------------|-------------|
| | | | Convertible | Convertible | Convertible | Convertible | Convertible | Convertible | Convertible |
| | | | 1AG67 | 1AH67 | 1AH67 | 1AJ67 | 1AJ67 | 1AK67 | 1AL67 |
| | | | 1LT | 2LT | 3LT | 1LZ | 1SS | 2SS | 1SE |
| RZB | | LPO, Black lower grille with Red Hot inserts 1 - Not available with RO1, RO2 or exterior colors (G16) Crush, (GKK) Riverside Blue Metallic, (GKO) Shock or (GSK) Wild Cherry Tintcoat. | A/D ¹ | A/D ¹ | A/D ¹ | -- | -- | -- | -- |
| RO1 | | LPO, Black lower grille with Silver-painted inserts 1 - Not available with (RO2) Black lower grille with Gloss Black inserts, LPO. | A/D ¹ | A/D ¹ | A/D ¹ | -- | -- | -- | -- |
| RO2 | | LPO, Black lower grille with Gloss Black inserts 1 - Not available with (RO1) Black lower grille with Silver-painted inserts, LPO. | A/D ¹ | A/D ¹ | A/D ¹ | -- | -- | -- | -- |
| STI | | LPO, Satin Black rocker moldings 1 - Not available with 5VM, RMH, RZ3, VRV, VTD. | A/D ¹ | A/D ¹ | A/D ¹ | A/D ¹ | A/D ¹ | A/D ¹ | -- |
| RMH | | LPO, Front splitter, Carbon Flash Metallic 1 - Not available with 5VM, RZ3, VTD. | A/D ¹ | A/D ¹ | A/D ¹ | A/D ¹ | A/D ¹ | A/D ¹ | -- |
| VRV | | LPO, Body-color painted splash guards 1 - Not available with 5VM, RMH, RZ3, STI, VTD or exterior colors (G16) Crush and (GKO) Shock. | A/D ¹ | A/D ¹ | A/D ¹ | A/D ¹ | A/D ¹ | A/D ¹ | -- |
| RY2 | | LPO, Black Metallic Hash Mark Stripes | A/D | A/D | A/D | A/D | A/D | A/D | -- |
| VPO | | LPO, Gray Hash Mark Stripes | A/D | A/D | A/D | A/D | A/D | A/D | -- |
| SNG | | LPO, Red Hash Mark Stripes 1 - Not available with exterior color (GSK) Wild Cherry Tintcoat. | A/D ¹ | A/D ¹ | A/D ¹ | A/D ¹ | A/D ¹ | A/D ¹ | -- |
| SF9 | | LPO, Blue Hash Mark Stripes 1 - Not available with exterior colors (G7C) Red Hot, (GKK) Riverside Blue Metallic or (GSK) Wild Cherry Tintcoat. | A/D ¹ | A/D ¹ | A/D ¹ | A/D ¹ | A/D ¹ | A/D ¹ | -- |
| SHQ | | LPO, Silver Hash Mark Stripes | A/D | A/D | A/D | A/D | A/D | A/D | -- |
| SFC | | LPO, White Pearl Hash Mark Stripes | A/D | A/D | A/D | A/D | A/D | A/D | -- |
| SHU | | LPO, Satin Black Hood Stripe with Red Hot Hash Mark | A/D | A/D | A/D | A/D | A/D | A/D | -- |
| SHS | | LPO, Satin Black Hood Stripe with Silver Ice Metallic Hash Mark | A/D | A/D | A/D | A/D | A/D | A/D | -- |
| SB7 | | LPO, Red Spider Stripes 1 - Requires (19T) Black convertible top. Not available with exterior colors (G7C) Red Hot or (GSK) Wild Cherry Tintcoat. | A/D ¹ | A/D ¹ | A/D ¹ | A/D ¹ | A/D ¹ | A/D ¹ | -- |
| SB9 | | LPO, Black Spider Stripes | A/D | A/D | A/D | A/D | A/D | A/D | -- |
| SNB | | LPO, Silver Spider Stripes | A/D | A/D | A/D | A/D | A/D | A/D | -- |
| SNC | | LPO, White Pearl Spider Stripes 1 - Not available with exterior color (GAZ) Summit White. | A/D ¹ | A/D ¹ | A/D ¹ | A/D ¹ | A/D ¹ | A/D ¹ | -- |
| SNJ | | LPO, Black Metallic Stinger Stripe | A/D | A/D | A/D | A/D | A/D | A/D | -- |

| Free Flow RPO Code | Ref. Only RPO Code | Description | 1LT | 2LT | 3LT | LT1 | 1SS | 2SS | ZL1 |
|--------------------|--------------------|-------------------------------------------------------------------------------------------------------------------------------------------------------------------------------------------------------------------------------------------------------------------------------------------------------|------------------|------------------|------------------|------------------|------------------|------------------|-------------|
| | | | Convertible | Convertible | Convertible | Convertible | Convertible | Convertible | Convertible |
| | | | 1AG67 | 1AH67 | 1AH67 | 1AJ67 | 1AJ67 | 1AK67 | 1AL67 |
| | | | 1LT | 2LT | 3LT | 1LZ | 1SS | 2SS | 1SE |
| SFA | | LPO, Red Stinger Stripe 1 - Not available with exterior color (G16) Crush, (G7C) Red Hot, (GKO) Shock or (GSK) Wild Cherry Tintcoat. | A/D ¹ | A/D ¹ | A/D ¹ | A/D ¹ | A/D ¹ | A/D ¹ | -- |
| SNE | | LPO, Silver Stinger Stripe | A/D | A/D | A/D | A/D | A/D | A/D | -- |
| SNM | | LPO, White Pearl Stinger Stripe 1 - Not available with exterior color (GAZ) Summit White. | A/D ¹ | A/D ¹ | A/D ¹ | A/D ¹ | A/D ¹ | A/D ¹ | -- |
| | VUP | LPO, Redline Edition graphics 1 - Included and only available with (WBL) Redline Edition. | A/D ¹ | A/D ¹ | A/D ¹ | A/D ¹ | A/D ¹ | A/D ¹ | -- |
| SCY | | LPO, Dark finish tail lamps 1 - Not available with (B9M) dark tint tail lamps or (WRS) RS Package. | A/D ¹ | A/D ¹ | A/D ¹ | -- | -- | -- | -- |
| RWH | | LPO, Indoor vehicle cover , Black with Camaro logo | A/D | A/D | A/D | A/D | A/D | A/D | -- |
| RWH | | LPO, Indoor vehicle cover , Black with ZL1 logo | -- | -- | -- | -- | -- | -- | A/D |
| VDN | | LPO, Indoor vehicle cover , Gray | A/D | A/D | A/D | A/D | A/D | A/D | A/D |
| SL1 | | LPO, Indoor vehicle cover , Red | A/D | A/D | A/D | A/D | A/D | A/D | A/D |
| RWJ | | LPO, Outdoor vehicle cover , Black | A/D | A/D | A/D | A/D | A/D | A/D | A/D |
| VRU | | LPO, Outdoor vehicle cover , Gray | A/D | A/D | A/D | A/D | A/D | A/D | A/D |
| RNX | | LPO, Outdoor vehicle cover , Red | A/D | A/D | A/D | A/D | A/D | A/D | A/D |
| VGS | | LPO, Outdoor vehicle cover , Gray, ZL1 logo | -- | -- | -- | -- | -- | -- | A/D |
| RXH | | LPO, Silver RS wheel center caps 1 - Requires (WRS) RS Package. Not available with RTH, SHL. | A/D ¹ | A/D ¹ | A/D ¹ | -- | -- | -- | -- |
| VW9 | | LPO, Black SS wheel center caps | -- | -- | -- | -- | A/D | A/D | -- |
| RXJ | | LPO, Silver SS wheel center caps 1 - Not available with 56H, 56V. | -- | -- | -- | -- | A/D ¹ | A/D ¹ | -- |
| 5ZB | | LPO, Camaro logo wheel center caps 1 - Not available with RTH, SHL. 2 - Not available with (RTH) 20" 5-spoke Carbon Flash painted aluminum wheels. 3 - Not available with (56H) SS 20" (50.8 cm) 5-spoke gloss Black wheels with Red stripe, LPO. 4 - Not available with 56H, 56V. | A/D ¹ | A/D ¹ | A/D ¹ | A/D ² | A/D ³ | A/D ⁴ | -- |
| | VWD | LPO, Gloss Black wheel center caps with Silver bowtie 1 - Included and only available with (SHL) 20" 5-spoke gloss Black wheels with Red outline stripe, LPO. 2 - Included and only available with (56H) SS 20" 5-spoke gloss Black wheels with Red stripe, LPO. | A/D ¹ | A/D ¹ | A/D ¹ | -- | A/D ² | A/D ² | -- |

| Free Flow RPO Code | Ref. Only RPO Code | Description | 1LT | 2LT | 3LT | LT1 | 1SS | 2SS | ZL1 |
|--------------------|--------------------|---------------------------------------------------------------------------------------------------------------------------------------------------------------------------------------------------------------------------------------------------------------------------------------------------------------------------------------------------------------------------------------------------------------------------------------------------------------------------------------------------------|------------------|------------------|------------------|------------------|------------------|------------------|------------------|
| | | | Convertible | Convertible | Convertible | Convertible | Convertible | Convertible | Convertible |
| | | | 1AG67 | 1AH67 | 1AH67 | 1AJ67 | 1AJ67 | 1AK67 | 1AL67 |
| | | | 1LT | 2LT | 3LT | 1LZ | 1SS | 2SS | 1SE |
| 5ZD | | LPO, Wheel center caps, Performance 1 - Not available with SHL, SKW. 2 - Not available with 56H, 56M. | A/D ¹ | A/D ¹ | A/D ¹ | A/D | A/D ² | A/D ² | -- |
| SFE | | LPO, Wheel locks 1 - (SFE) Wheel locks is included with all LPO wheels. | A/D ¹ | A/D ¹ | A/D ¹ | A/D ¹ | A/D ¹ | A/D ¹ | A/D |
| SPZ | | LPO, Black wheel locks 1 - Not available with (SFE) wheel locks, LPO. | A/D ¹ | A/D ¹ | A/D ¹ | A/D ¹ | A/D ¹ | A/D ¹ | A/D ¹ |
| SPY | | LPO, Black lug nuts 1 - Not available with (SFE) wheel locks, LPO. | A/D ¹ | A/D ¹ | A/D ¹ | A/D ¹ | A/D ¹ | A/D ¹ | A/D ¹ |
| SHL | | LPO, 20" (50.8 cm) 5-spoke gloss Black wheels with Red outline stripe. When ordering SHL with other optional wheels, 2 complete sets of wheels are being ordered. Please ensure customer desires both sets of wheels before proceeding to place order with LPO wheels SHL. 1 - Includes (VWD) Gloss Black wheel center caps with Silver bowtie, LPO. Not available with (SFE) wheel locks, LPO or (REG) 18" Silver-painted aluminum wheels. 2 - Not available with (SFE) wheel locks, LPO. | A/D ¹ | A/D ¹ | A/D ¹ | A/D ² | -- | -- | -- |
| 56H | | LPO, SS 20" (50.8 cm) 5-spoke gloss Black wheels with Red stripe. When ordering 56H with other optional wheels, 2 complete sets of wheels are being ordered. Please ensure customer desires both sets of wheels before proceeding to place order with LPO wheels 56H. Includes (VWD) Gloss Black wheel center caps with Silver bowtie, LPO. 1 - Not available with (SFE) wheel locks, LPO. | -- | -- | -- | -- | A/D ¹ | A/D ¹ | -- |
| SKW | | LPO, 20" (50.8 cm) 5-split spoke machined-face wheels. When ordering SKW with other optional wheels, 2 complete sets of wheels are being ordered. Please ensure customer desires both sets of wheels before proceeding to place order with LPO wheels SKW. 1 - Not available with (SFE) wheel locks, LPO or (REG) 18" Silver-painted aluminum wheels. 2 - Not available with (SFE) wheel locks, LPO. | A/D ¹ | A/D ¹ | A/D ¹ | A/D ² | -- | -- | -- |
| 56M | | LPO, SS 20" (50.8 cm) 5-split spoke machined-face wheels. When ordering 56M with other optional wheels, 2 complete sets of wheels are being ordered. Please ensure customer desires both sets of wheels before proceeding to place order with LPO wheels 56M. 1 - Not available with (SFE) wheel locks, LPO. | -- | -- | -- | -- | A/D ¹ | A/D ¹ | -- |

| Free Flow RPO Code | Ref. Only RPO Code | Description | 1LT | 2LT | 3LT | LT1 | 1SS | 2SS | ZL1 |
|--------------------|--------------------|--------------------------------------------------------------------------------------------------------------------------------------------------------------------------------------------------------------------------------------------------------------------------------------------------------------------------------------------------------------------------------------------------------------------|------------------|------------------|------------------|------------------|------------------|------------------|----------------|
| | | | Convertible | Convertible | Convertible | Convertible | Convertible | Convertible | Convertible |
| | | | 1AG67 | 1AH67 | 1AH67 | 1AJ67 | 1AJ67 | 1AK67 | 1AL67 |
| | | | 1LT | 2LT | 3LT | 1LZ | 1SS | 2SS | 1SE |
| 5JX | | LPO, LT 20" (50.8 cm) 5-split spoke Satin Black wheels. When ordering 5JX with other optional wheels, 2 complete sets of wheels are being ordered. Please ensure customer desires both sets of wheels before proceeding to place order with LPO wheels 5JX. 1 - Not available with (SFE) wheel locks, LPO or (REG) 18" Silver-painted aluminum wheels. 2 - Not available with (SFE) wheel locks, LPO. | A/D ¹ | A/D ¹ | A/D ¹ | A/D ² | -- | -- | -- |
| 57S | | LPO, SS 20" (50.8 cm) 5-split spoke Satin Black wheels. When ordering 57S with other optional wheels, 2 complete sets of wheels are being ordered. Please ensure customer desires both sets of wheels before proceeding to place order with LPO wheels 57S. 1 - Not available with (SFE) wheel locks, LPO. | -- | -- | -- | -- | A/D ¹ | A/D ¹ | -- |
| VLN | | LPO, Windscreen | A/D | A/D | A/D | A/D | A/D | A/D | A/D |
| | DG7 | Mirrors , outside power-adjustable, body-color | S | S | -- | S | S | -- | -- |
| | DD1 | Mirrors , outside heated power-adjustable and driver-side auto-dimming, body-color | -- | -- | S | -- | -- | S | S |
| | UFG | Rear Cross Traffic Alert | -- | -- | S | -- | -- | S | S |
| | UD7 | Rear Park Assist | -- | -- | S | -- | -- | S | S |
| | D5Z | Spoiler , rear, stanchion | S | S | S | S | S | S | S |
| DUU | | Black Center Stripe 1 - Not available with exterior color (GBA) Black. | A ¹ | A ¹ | A ¹ | -- | -- | -- | -- |
| DW8 | | Black Metallic Center Stripe | -- | -- | -- | A | A | A | -- |
| DVV | | Black Metallic Center Stripe 1 - Decklid and spoiler only, Not available with (CFW) Carbon Fiber weave hood insert. | -- | -- | -- | -- | -- | -- | A ¹ |
| DUV | | Silver Center Stripe | A | A | A | A | A | A | -- |
| DW7 | | White Pearl Center Stripe 1 - Not available with exterior color (GAZ) Summit White. | A ¹ | A ¹ | A ¹ | A ¹ | A ¹ | A ¹ | -- |
| C30 | | Black Rally Stripes 1 - Not available with exterior color (GBA) Black. | A ¹ | A ¹ | A ¹ | -- | -- | -- | -- |
| BO4 | | Black Metallic Rally Stripes | -- | -- | -- | A | A | A | -- |
| C2U | | Silver Rally Stripes | A | A | A | A | A | A | -- |
| BO3 | | White Pearl Rally Stripes 1 - Not available with exterior color (GAZ) Summit White. | A ¹ | A ¹ | A ¹ | A ¹ | A ¹ | A ¹ | -- |
| | | Tail lamps , dark tint 1 - Included and only available with (WRS) RS Package. | A ¹ | A ¹ | A ¹ | A ¹ | S | S | S |

| Free Flow RPO Code | Ref. Only RPO Code | Description | 1LT | 2LT | 3LT | LT1 | 1SS | 2SS | ZL1 |
|--------------------|--------------------|--------------------------------------------------------------------------------------------------------------------------------------------------------------------------------------------------------------------------------------------------------------------------------------------------------------------------------------------------------------------------------------------------------------------------------------------------------------------------------------------------------------------------------------------------|----------------|----------------|----------------|-------------|----------------|----------------|----------------|
| | | | Convertible | Convertible | Convertible | Convertible | Convertible | Convertible | Convertible |
| | | | 1AG67 | 1AH67 | 1AH67 | 1AJ67 | 1AJ67 | 1AK67 | 1AL67 |
| | | | 1LT | 2LT | 3LT | 1LZ | 1SS | 2SS | 1SE |
| B9M | | Tail lamps , dark tint 1 - Not available with (WRS) RS Package since it already includes dark tint tail lamps. | A ¹ | A ¹ | A ¹ | -- | -- | -- | -- |
| | KTI | Tire inflation kit 1 - Included and only available with (R0H) 245/50R18, blackwall, all-season tires. | A ¹ | A ¹ | A ¹ | -- | -- | -- | S |
| | R0H | Tires , 245/50R18, blackwall, all-season, includes (KTI) tire inflator kit | S | S | S | -- | -- | -- | -- |
| | R0F | Tires , 245/40ZR20 front and 275/35ZR20 rear, blackwall, summer-only, run-flat 1 - Do not use summer only tires in winter conditions, as it would adversely affect vehicle safety, performance and durability. Use only GM-approved tire and wheel combinations. Unapproved combinations may change the vehicle's performance characteristics. For important tire and wheel information, go to https://my.chevrolet.com/learnAbout/chevrolettires or see your dealer. | -- | -- | -- | -- | S ¹ | S ¹ | -- |
| | R0G | Tires , 285/30R20 front and 305/30R20 rear, blackwall, summer-only 1 - Do not use summer only tires in winter conditions, as it would adversely affect vehicle safety, performance and durability. Use only GM-approved tire and wheel combinations. Unapproved combinations may change the vehicle's performance characteristics. For important tire and wheel information, go to https://my.chevrolet.com/learnAbout/chevrolettires or see your dealer. | -- | -- | -- | -- | -- | -- | S ¹ |
| | R29 | Tires , 245/40R20, blackwall, all-season, run-flat 1 - Included and only available with (RTJ/RTH/RQ9/WR1/SRI/5K9) 20" wheels. | A ¹ | A ¹ | A ¹ | S | -- | -- | -- |
| | REG | Wheels , 18" (45.7 cm) Silver-painted aluminum | S | S | S | -- | -- | -- | -- |
| | RQA | Wheels , 20" (50.8 cm) Silver-painted aluminum | -- | -- | -- | S | -- | -- | -- |
| | 56S | Wheels , 20" x 8.5" (50.8 cm x 21.6 cm) front and 20" x 9.5" (50.8 cm x 24.1 cm) rear bright 5-spoke Silver-painted aluminum | -- | -- | -- | -- | S | S | -- |
| | RTQ | Wheels , 20" x 10" (50.8 cm x 25.4 cm) front and 20" x 11" (50.8 cm x 27.9 cm) rear Dark Graphite premium paint, forged aluminum | -- | -- | -- | -- | -- | -- | S |
| | RTJ | Wheels , 20" (50.8 cm) 5-spilt spoke bright Silver-painted aluminum 1 - Requires (WRS) RS Package. | A ¹ | A ¹ | A ¹ | A | -- | -- | -- |
| | RTH | Wheels , 20" (50.8 cm) 5-spoke Carbon Flash painted aluminum | A | A | A | A | -- | -- | -- |

| Free Flow RPO Code | Ref. Only RPO Code | Description | 1LT | 2LT | 3LT | LT1 | 1SS | 2SS | ZL1 |
|--------------------|--------------------|----------------------------------------------------------------------------------------------------------------------------------------------------------------------------------------------------|----------------|----------------|----------------|----------------|----------------|----------------|-------------|
| | | | Convertible | Convertible | Convertible | Convertible | Convertible | Convertible | Convertible |
| | | | 1AG67 | 1AH67 | 1AH67 | 1AJ67 | 1AJ67 | 1AK67 | 1AL67 |
| | | | 1LT | 2LT | 3LT | 1LZ | 1SS | 2SS | 1SE |
| RQ9 | | Wheels, 20" (50.8 cm) 5-split spoke premium Gray-painted, machined-face aluminum 1 - Included and only available with (WRS) RS Package. | A ¹ | A ¹ | A ¹ | A | -- | -- | -- |
| WR1 | | Wheels, 20" (50.8 cm) 5-split spoke polished forged with Black star center cap 1 - Requires (WRS) RS Package. | A ¹ | A ¹ | A ¹ | A | -- | -- | -- |
| 5K9 | | Wheels, 20" (50.8 cm) Caliente 1 - Requires (WRS) RS Package. | A ¹ | A ¹ | A ¹ | A | -- | -- | -- |
| | SRI | Wheels, 20" (50.8 cm) Black-painted aluminum with Red accents 1 - Included and only available with (WBL) Redline Edition. | A ¹ | A ¹ | A ¹ | A ¹ | -- | -- | -- |
| 56R | | Wheels, 20" x 8.5" (50.8 cm x 21.6 cm) front and 20" x 9.5" (50.8 cm x 24.1 cm) rear 5-split spoke premium Gray-painted machined-face aluminum | -- | -- | -- | -- | A | A | -- |
| 56W | | Wheels, 20" x 8.5" (50.8 cm x 21.6 cm) front and 20" x 9.5" (50.8 cm x 24.1 cm) rear 5-split spoke bright Silver-painted aluminum | -- | -- | -- | -- | A | A | -- |
| 56V | | Wheels, 20" x 8.5" (50.8 cm x 21.6 cm) front and 20" x 9.5" (50.8 cm x 24.1 cm) rear 5-spoke Carbon Flash painted aluminum | -- | -- | -- | -- | A | A | -- |
| 57W | | Wheels, 20" x 8.5" (50.8 cm x 21.6 cm) front and 20" x 9.5" (50.8 cm x 24.1 cm) rear 5-split spoke polished forged with Black star center cap | -- | -- | -- | -- | A | A | -- |
| 57V | | Wheels, 20" x 8.5" (50.8 cm x 21.6 cm) front and 20" x 9.5" (50.8 cm x 24.1 cm) rear Caliente | -- | -- | -- | -- | A | A | -- |
| | 58E | Wheels, 20" x 8.5" (50.8 cm x 21.6 cm) front and 20" x 9.5" (50.8 cm x 24.1 cm) rear Black-painted aluminum with Red accents 1 - Included and only available with (WBL) Redline Edition. | -- | -- | -- | -- | A ¹ | A ¹ | -- |
| | | Wipers, front variable-speed, intermittent with washers | S | S | S | S | S | S | S |

S = Standard Equipment A = Available --(dashes) = Not Available D = ADI Available

■ = Included in Equipment Group □ = Included in Equipment Group but upgradeable

Codes listed in the shaded column titled Ref. Only RPO Code are for internal use only and should not be ordered.

| Free Flow RPO Code | Ref. Only RPO Code | Description | 1LS | 1LT | 2LT | 3LT | LT1 | 1SS | 2SS | ZL1 | |
|-----------------------------|-----------------------------|--------------------------------------------------------------------------------------------------------------------------------------------------------------------------------------------------------------------------------------------------------------------------|-------|----------------|----------------|----------------|-------|----------------|----------------|-------|-------|
| | | | Coupe | Coupe | Coupe | Coupe | Coupe | Coupe | Coupe | Coupe | Coupe |
| | | | 1AG37 | 1AG37 | 1AH37 | 1AH37 | 1AJ37 | 1AJ37 | 1AK37 | 1AL37 | |
| | | | 1LS | 1LT | 2LT | 3LT | 1LZ | 1SS | 2SS | 1SE | |
| | | Battery rundown protection | S | S | S | S | S | S | S | S | |
| | | Brake , parking, electric | S | S | S | S | S | S | S | S | |
| | JL9 | Brakes , 4-wheel antilock, 4-wheel disc | S | S | S | S | -- | -- | -- | -- | |
| | J55 | Brakes , Brembo 4-piston front, performance, 4-wheel antilock, 4-wheel disc 1 - Included and only available with (Y4Q) Heavy-Duty Cooling and Brake Package, (A1X) 1LE Track Performance Package, (J6F) Red-painted calipers or (J6L) Orange-painted calipers. | -- | A ¹ | A ¹ | A ¹ | S | -- | -- | -- | |
| | J6G | Brakes , Brembo 4-piston front and rear, performance, 4-wheel antilock, 4-wheel disc | -- | -- | -- | -- | -- | S | S | -- | |
| | J6H | Brakes , Brembo 6-piston front and 4-piston rear, performance, 4-wheel antilock, 4-wheel disc | -- | -- | -- | -- | -- | -- | -- | S | |
| | J6M | Brakes , Brembo Red, 6-piston front monobloc calipers, 4-piston rear calipers, 2-piece rotors, performance, 4-wheel antilock, 4-wheel disc 1 - Included and only available with (A1Y) SS 1LE Track Performance Package. | -- | -- | -- | -- | -- | A ¹ | A ¹ | -- | |
| | J6L | Calipers , Orange-painted 1 - Includes (J55) Brembo 4-piston front, performance brakes. Not available REG/5K9 wheels. 2 - Not available with (57V) 20" Caliente wheels. | -- | A ¹ | A ¹ | A ¹ | A | A ² | A ² | -- | |
| | J6F | Calipers , Red-painted 1 - Includes (J55) Brembo 4-piston front, performance brakes. Not available REG/5K9 wheels. 2 - Not available with (57V) 20" Caliente wheels. | -- | A ¹ | A ¹ | A ¹ | A | A ² | A ² | -- | |
| | KC4 | Cooling , external engine oil cooler 1 - Included and only available with (Y4Q) Heavy-Duty Cooling and Brake Package or (A1X) 1LE Track Performance Package. | -- | A ¹ | A ¹ | A ¹ | S | S | S | S | |
| | V03 | Cooling system , extra capacity 1 - Included and only available with (Y4Q) Heavy-Duty Cooling and Brake Package when (MX0) automatic transmission is ordered, or (A1X) 1LE Track Performance Package. | -- | A ¹ | A ¹ | A ¹ | -- | S | S | S | |

| Free Flow RPO Code | Ref. Only RPO Code | Description | 1LS Coupe 1AG37 | 1LT Coupe 1AG37 | 2LT Coupe 1AH37 | 3LT Coupe 1AH37 | LT1 Coupe 1AJ37 | 1SS Coupe 1AJ37 | 2SS Coupe 1AK37 | ZL1 Coupe 1AL37 |
|--------------------|--------------------|-----------------------------------------------------------------------------------------------------------------------------------------------------------------------------------------------------------------------------------------------------------------------------------------------------------------------------------------------------------------------------------------------------------------------------------------------------------------------------------------------------------------------------------------------------------------------------------------------------------------------------------------------------|-----------------|-----------------|-----------------|-----------------|-----------------|-----------------|-----------------|-----------------|
| | | | 1LS | 1LT | 2LT | 3LT | 1LZ | 1SS | 2SS | 1SE |
| | V18 | Cooler , engine coolant, auxiliary 1 - Included and only available with (Y4Q) Heavy-Duty Cooling and Brake Package when (LGX) 3.6L V6 engine is ordered. | -- | A ¹ | A ¹ | A ¹ | -- | S | S | S |
| | KNR | Cooler , rear differential 1 - Included and only available with (A1X) 1LE Track Performance Package. | -- | A ¹ | A ¹ | A ¹ | -- | S | S | S |
| | KD1 | Cooler , transmission oil 1 - Included and only available with (A1X) 1LE Track Performance Package. | -- | A ¹ | A ¹ | A ¹ | -- | S | S | S |
| | G80 | Differential , limited slip 1 - Deleted when (MX0) automatic transmission is ordered. | S ¹ | S ¹ | S ¹ | S ¹ | S | S | S | -- |
| | G96 | Differential , electronic limited-slip (eLSD) 1 - Included and only available with (A1Y) SS 1LE Track Performance Package. | -- | -- | -- | -- | -- | A ¹ | A ¹ | S |
| | | Driver Selector Mode , up to 4 modes available for various driving conditions - Snow/Ice, Tour, Sport and Track (SS and ZL1 models only) | S | S | S | S | S | S | S | S |
| FE9 | | Emissions , Federal requirements | A | A | A | A | A | A | A | A |
| YF5 | | Emissions , California state requirements | A | A | A | A | A | A | A | A |
| NE1 | | Emissions , Connecticut, Delaware, Maine, Maryland, Massachusetts, New Jersey, New York, Oregon, Pennsylvania, Rhode Island, Vermont and Washington state requirements | A | A | A | A | A | A | A | A |
| NB8 | | Emissions override , California (allows a dealer in states that require California emissions - California, Connecticut, Delaware, Maryland, Massachusetts, New Jersey, New York, Oregon, Pennsylvania, Rhode Island or Washington - to order Federal emissions for a vehicle that will be registered in a state that has Federal emission requirements). Do not use for vehicles that will be registered in California, Connecticut, Delaware, Maryland, Massachusetts, New Jersey, New York, Oregon, Pennsylvania, Rhode Island or Washington. 1 - Requires (FE9) Federal emissions requirements. Not available in Maine or Vermont. | A ¹ | A ¹ | A ¹ | A ¹ | A ¹ | A ¹ | A ¹ | A ¹ |

| Free Flow RPO Code | Ref. Only RPO Code | Description | 1LS Coupe 1AG37 | 1LT Coupe 1AG37 | 2LT Coupe 1AH37 | 3LT Coupe 1AH37 | LT1 Coupe 1AJ37 | 1SS Coupe 1AJ37 | 2SS Coupe 1AK37 | ZL1 Coupe 1AL37 |
|--------------------|--------------------|-----------------------------------------------------------------------------------------------------------------------------------------------------------------------------------------------------------------------------------------------------------------------------------------------------------------------------------------------------------------------------------------------------------------------------------------------------------------------------------------------------------------------------------------------------------------------------------|-----------------|-----------------|--------------------------------------------------------------------------------------------------------------------------------------------------------------------------------------------------------------------------------------------------------------------------------------------------------------------------------------------------------------------------------------------------------------------------------------------------------------------------------------------------------------------------------------------------------------------------------------------------------------------------------------------------------------------------------------------|-----------------|-----------------|-----------------|-----------------|-----------------|
| | | | 1LS | 1LT | 2LT | 3LT | 1LZ | 1SS | 2SS | 1SE |
| | | | NB9 | | Emissions override , state-specific (for dealers ordering vehicles in (YF5) or (NE1) emission states - California, Connecticut, Delaware, Maine, Maryland, Massachusetts, New Jersey, New York, Oregon, Pennsylvania, Rhode Island, Vermont and Washington) 1 - Allows a California dealer (YF5 emissions) to order (NE1) emissions with (NB9) emissions override code for registration in (NE1) states; or, a Connecticut, Delaware, Maine, Maryland, Massachusetts, New Jersey, New York, Oregon, Pennsylvania, Rhode Island, Vermont and Washington dealer (NE1 emissions) to order (YF5) emissions with (NB9) emissions override code for registration in California. | A ¹ | A ¹ | A ¹ | A ¹ | A ¹ |
| NC7 | | Emissions override , Federal (for vehicles ordered by dealers in Federal emission states with (YF5) or (NE1) emissions - Not required for vehicles being shipped to California, Connecticut, Delaware, Maine, Maryland, Massachusetts, New Jersey, New York, Oregon, Pennsylvania, Rhode Island, Vermont or Washington) 1 - Requires (YF5) California state emissions requirements or (NE1) Connecticut, Delaware, Maine, Maryland, Massachusetts, New Jersey, New York, Oregon, Pennsylvania, Rhode Island, Vermont or Washington state emissions requirements. | A ¹ | A ¹ | A ¹ | A ¹ | A ¹ | A ¹ | A ¹ | A ¹ |
| | LTG | Engine , 2.0L Turbo, 4-cylinder, SIDI, VVT (275 hp [205 kW] @ 5600 rpm, 295 lb-ft of torque [398.3 N-m] @ 3000-4500 rpm) | S | S | S | S | -- | -- | -- | -- |
| | LGX | Engine , 3.6L V6, DI, VVT (335 hp [250 kW] @ 6800 rpm, 284 lb-ft of torque [383.4 N-m] @ 5300 rpm) | -- | A | A | A | -- | -- | -- | -- |
| | LT1 | Engine , 6.2L (376 ci) V8 DI, VVT (455 hp [339.3 kW] @ 6000 rpm, 455 lb-ft of torque [614.3 N-m] @ 4400 rpm) | -- | -- | -- | -- | S | S | S | -- |
| | LT4 | Engine , 6.2L supercharged V8 DI, VVT (650 hp [485 kW] @ 6400 rpm, 650 lb-ft torque [881N-m] @ 3600 rpm) | -- | -- | -- | -- | -- | -- | -- | S |
| | | Engine air filter life monitor | S | S | S | S | -- | -- | -- | -- |
| K05 | | Engine block heater | A | A | A | A | -- | -- | -- | -- |
| | N10 | Exhaust , dual-outlet stainless-steel, with bright tips | S | S | S | S | S | S | S | -- |
| NPP | | Exhaust , dual-mode 1 - Requires (LGX) 3.6L V6 engine. | -- | A ¹ | A ¹ | A ¹ | A | A | A | S |

| Free Flow RPO Code | Ref. Only RPO Code | Description | 1LS Coupe 1AG37 | 1LT Coupe 1AG37 | 2LT Coupe 1AH37 | 3LT Coupe 1AH37 | LT1 Coupe 1AJ37 | 1SS Coupe 1AJ37 | 2SS Coupe 1AK37 | ZL1 Coupe 1AL37 |
|--------------------|--------------------|------------------------------------------------------------------------------------------------------------------------------------------------------------------------------------------------------------------------------|-----------------|------------------|------------------|------------------|------------------|------------------|------------------|-----------------|
| | | | 1LS | 1LT | 2LT | 3LT | 1LZ | 1SS | 2SS | 1SE |
| | XLC | Launch control , custom 1 - Included and only available with (MX0) automatic transmission. | -- | -- | -- | -- | -- | A ¹ | A ¹ | S |
| 5WF | | LPO, Battery Protection Package | A/D | A/D | A/D | A/D | A/D | A/D | A/D | A/D |
| PCU | | LPO, 4-Corner Brembo brake upgrade system in Red , includes (5LQ) 6 Piston Front Brake Kit, LPO and (RX0) 4 Piston Brembo rear calipers in Red, LPO | -- | -- | -- | -- | -- | A/D | A/D | -- |
| 5LQ | | LPO, 6 Piston Front Brake Kit , includes Brembo Red brake calipers, slotted rotors and pad upgrade. Front brakes only. | A/D | A/D | A/D | A/D | A/D | A/D | A/D | -- |
| | RX0 | LPO, 4 Piston Brembo rear calipers in Red 1 - Included and only available with (PCU) 4-Corner Brembo brake upgrade system in Red, LPO. | -- | -- | -- | -- | -- | A/D ¹ | A/D ¹ | -- |
| RVK | | LPO, Performance air intake 1 - Not available at start of production. | -- | -- | -- | -- | A/D ¹ | A/D ¹ | A/D ¹ | -- |
| SLN | | LPO, Strut tower brace | -- | -- | -- | -- | -- | A/D | A/D | -- |
| SCG | | LPO, 6.2L Strut tower brace in Black 1 - Not available with (SLN) Strut tower brace. LPO. | -- | -- | -- | -- | A/D | A/D ¹ | A/D ¹ | -- |
| SCJ | | LPO, Suspension Handling Package , 1LE Track Pack - V8 1 - Requires (F55) Magnetic Ride Control. Not available with (SG3) Lowering suspension upgrade system, LPO. | -- | -- | -- | -- | -- | A/D ¹ | A/D ¹ | -- |
| SG3 | | LPO, Lowering suspension upgrade system 1 - Not available with (REG) 18" Silver-painted aluminum wheels. 2 - Not available with (F55) Magnetic Ride Control. | -- | A/D ¹ | A/D ¹ | A/D ¹ | A/D | A/D ² | A/D ² | -- |
| SC1 | | LPO, Sway bar suspension upgrade system 1 - Requires (SG3) Lowering suspension upgrade system, LPO. 2 - Requires (SG3) Lowering suspension upgrade system, LPO. Not available with (F55) Magnetic Ride Control. | -- | -- | -- | -- | A/D ¹ | A/D ² | A/D ² | -- |
| F55 | | Magnetic Ride Control 1 - Deleted when (A1Z) ZL1 1LE Extreme Track Performance Package is ordered. | -- | -- | -- | -- | -- | A | A | S ¹ |

| Free Flow RPO Code | Ref. Only RPO Code | Description | 1LS Coupe 1AG37 | 1LT Coupe 1AG37 | 2LT Coupe 1AH37 | 3LT Coupe 1AH37 | LT1 Coupe 1AJ37 | 1SS Coupe 1AJ37 | 2SS Coupe 1AK37 | ZL1 Coupe 1AL37 |
|--------------------|--------------------|--------------------------------------------------------------------------------------------------------------------------------------------------------------------------------------------------------------------------------------------------------------------------------------------------------------------------------------------------------------------------------------------------------------------------------------------------------------------------------------------------------------------------------------------------------------------------------------------------------------------------------------------------------------------------------------------------------------------------------------------------------------------------------------------------------------------------------------------------------------------------------------------------------------------------------------------------------------------------------------------------------------------------------------------------------------------------------------------------------------------------------------------------------------------------------------------------------------------------------------------------------------------------------------------------------------------------|-----------------|-----------------|----------------------------------------------------------------------------------------------------------------------------------------------------------------------------------------------------------------------------------------------------------------------------------------------------------------------------------------------------------------------------------------------------------------------------------------------------------------------------------------------------------------------------|-----------------|-----------------|-----------------|-----------------|-----------------|
| | | | 1LS | 1LT | 2LT | 3LT | 1LZ | 1SS | 2SS | 1SE |
| | | | Y4Q | | Heavy-Duty Cooling and Brake Package , includes (KC4) external engine oil cooler and (J55) Brembo 4-piston front performance, 4-wheel antilock, 4-wheel disc brakes; also includes (V18) auxiliary engine coolant cooler when (LGX) 3.6L V6 engine is ordered; also includes (V03) extra capacity cooling system when (MX0) automatic transmission is ordered 1 - Requires (WRS) RS Package or (RTH) 20" 5-spoke Carbon Flash painted aluminum wheels. Included with (A1X) 1LE Track Performance Package. | -- | A ¹ | A ¹ | A ¹ | -- |
| A1X | | 1LE Track Performance Package , includes (J55) Brembo 4-piston front, performance, 4-wheel antilock, 4-wheel disc brakes, (KC4) external engine oil cooler, (V03) extra capacity cooling system, (KNR) rear differential cooler, (KD1) transmission oil cooler, (G80) limited slip differential, (Y4Q) Heavy-Duty Cooling and Brake Package, (FE3) performance suspension, (FTF) Black front splitter, (DSM) Satin Black hood wrap, (D5S) Satin Black rear blade spoiler, (R0F) 245/40ZR20 front and 275/35ZR20 rear, blackwall, summer-only, run-flat tires, (56Z) 20" x 8.5" front and 20" x 9.5" rear Black forged aluminum wheels, RS badging, RS lighting, (N26) sueded-wrapped, flat-bottom steering wheel and (KS9) sueded-wrapped shift knob, also includes (NPP) dual-mode exhaust when (LGX) 3.6L V6 engine is ordered 1 - Requires (H1T/H0Y) Jet Black interior and (MN6) 6-speed manual transmission. Not available with A9B, B9M, P3H, PDL, PDN, WRS; any other wheels; the following Stripes: BO3, C2U, C3O, DUU, DUV, DW7; and the following LPOs: 5JX, 5V5, 5VM, 5ZB, 5ZD, 5ZU, 5ZV, 5ZW, 5ZZ, PCX, R88, RMH, RXH, RY2, RZ3, RZB, SA7, SB2, SB7, SB9, SCY, SF8, SF9, SFA, SFC, SFZ, SG3, SHL, SHQ, SKW, SL2, SNB, SNC, SNE, SNG, SNH, SNJ, SNM, SNP, SNQ, SNS, VPO, VPW, VTD, VTF, WGL. | -- | A ¹ | A ¹ | A ¹ | -- | -- | -- | -- |

| Free Flow RPO Code | Ref. Only RPO Code | Description | 1LS Coupe 1AG37 | 1LT Coupe 1AG37 | 2LT Coupe 1AH37 | 3LT Coupe 1AH37 | LT1 Coupe 1AJ37 | 1SS Coupe 1AJ37 | 2SS Coupe 1AK37 | ZL1 Coupe 1AL37 |
|--------------------|--------------------|------------------------------------------------------------------------------------------------------------------------------------------------------------------------------------------------------------------------------------------------------------------------------------------------------------------------------------------------------------------------------------------------------------------------------------------------------------------------------------------------------------------------------------------------------------------------------------------------------------------------------------------------------------------------------------------------------------------------------------------------------------------------------------------------------------------------------------------------------------------------------------------------------------------------------------------------------------------------------------------------------------------------------------------------------------------------------------------------------------------------------------------------------------------------------------------------------------------------------------------------------------------------------------------------------------------------------------------------------------------------------------------------------------------------------------------------------------------------------------------------------------------------------------------------------------------------------------------------------------------------------------------------------------------------------------------------------------------------------|-----------------|-----------------|-----------------|-----------------|-----------------|-----------------|-----------------|-----------------|
| | | | 1LS | 1LT | 2LT | 3LT | 1LZ | 1SS | 2SS | 1SE |
| A1Y | | <p>SS 1LE Track Performance Package, includes (J6M) Brembo Red, 6-piston front monobloc calipers, 4-piston rear calipers, 2-piece rotors, performance, 4-wheel antilock, 4-wheel disc brakes, (G96) electronic limited slip differential, (NPP) dual-mode performance exhaust, (F55) Magnetic Ride Control, (FE4) performance suspension, (FTJ) Black front splitter, (DSM) Satin Black hood wrap, (D5S) Satin Black rear blade spoiler, (R0G) 285/30R20 front and 305/30R20 rear, blackwall, summer-only tires, (RSK) 20" x 10" front and 20" x 11" rear Satin Graphite forged aluminum wheels, (AQJ) RECARO performance front bucket seats, (N26) sueded-wrapped, flat-bottom steering wheel and (KS9) sueded-wrapped shift knob, also includes (HRD) 2.85 rear axle ratio when (MX0) automatic transmission is ordered</p> <p>1 - Also includes (UV6) Head-Up Display. Requires (H1T) Jet Black interior. Not available with A9B, J6F, J6L, PDL; any other wheels; the following Stripes: BO3, BO4, C2U, DUV, DW7, DW8; and the following LPOs: 5LQ, 5V5, 5VM, 5ZB, 5ZD, 5ZU, 5ZV, 5ZW, 5ZZ, PCX, RMH, RXJ, RY2, RZ3, S0V, SA7, SB2, SB3, SB7, SB9, SC1, SCJ, SF8, SF9, SFA, SFC, SFZ, SG3, SHQ, SL2, SNB, SNC, SNE, SNG, SNH, SNJ, SNM, SNP, SNQ, SNS, VPO, VPW, VTD, WGL.</p> <p>2 - Requires (H0Y) Jet Black interior. Not available with A9B, J6F, J6L, PDL, PDN; any other wheels; the following Stripes: BO3, BO4, C2U, DUV, DW7, DW8; and the following LPOs: 5LQ, 5V5, 5VM, 5ZB, 5ZD, 5ZU, 5ZV, 5ZW, 5ZZ, PCX, RMH, RXJ, RY2, RZ3, S0V, SA7, SB2, SB3, SB7, SB9, SC1, SCJ, SF8, SF9, SFA, SFC, SFZ, SG3, SHQ, SL2, SNB, SNC, SNE, SNG, SNH, SNJ, SNM, SNP, SNQ, SNS, VPO, VPW, VTD, WGL.</p> | -- | -- | -- | -- | -- | A ¹ | A ² | -- |

| Free Flow RPO Code | Ref. Only RPO Code | Description | 1LS Coupe 1AG37 | 1LT Coupe 1AG37 | 2LT Coupe 1AH37 | 3LT Coupe 1AH37 | LT1 Coupe 1AJ37 | 1SS Coupe 1AJ37 | 2SS Coupe 1AK37 | ZL1 Coupe 1AL37 |
|--------------------|--------------------|---------------------------------------------------------------------------------------------------------------------------------------------------------------------------------------------------------------------------------------------------------------------------------------------------------------------------------------------------------------------------------------------------------------------------------------------------------------------------------------------------------------------------------------------------------------------------------------------------------------------------------------------------------------------------------------------------------------------------------------------------------------------------------------------------------------------------------------------------------|-----------------|-----------------|-----------------|-----------------|-----------------|-----------------|-----------------|-----------------|
| | | | 1LS | 1LT | 2LT | 3LT | 1LZ | 1SS | 2SS | 1SE |
| A1Z | | ZL1 1LE Extreme Track Performance Package , includes (FEA) Performance Suspension with DSSV dampers, Red calipers, (DSM) Satin Black hood wrap, (CFW) exposed Carbon Fiber weave hood insert, (T42) exposed weave carbon fiber rear spoiler, low-gloss Black outside rearview mirrors, dark tail lamps, front dive planes, unique front splitter with lower DRL deleted, (R6O) 305/30R19 front and 325/30R19 rear, blackwall, summer-only tires, (PKJ) 19" x 11" front and 19" x 12" rear low gloss Black-painted forged aluminum wheels, (DD8) auto-dimming inside rearview mirror, (A62) rear fixed seat, and specific ratios when 6-speed manual transmission is ordered 1 - Not available with (CF5) power sunroof, any other wheels, (DVV) Black Metallic Center Stripe; and the following LPOs: 6ZQ, PDX, RNX, RWJ, SL1, VDN, VGS, VRU. | -- | -- | -- | -- | -- | -- | -- | A ¹ |
| | KB7 | Paddle-shift manual controls 1 - Included and only available with (MX0) automatic transmission. | A ¹ | A ¹ | A ¹ | A ¹ | A ¹ | A ¹ | A ¹ | A ¹ |
| | GW6 | Rear axle, 3.27 ratio | S | S | S | S | -- | -- | -- | -- |
| | GT4 | Rear axle, 3.73 ratio 1 - Included with (MN6) 6-speed manual transmission. | -- | -- | -- | -- | S ¹ | S ¹ | S ¹ | S ¹ |
| | HRD | Rear axle, 2.85 ratio 1 - Included and only available with (A1Y) SS 1LE Track Performance Package when (MX0) automatic transmission is ordered. 2 - Included and only available with (MX0) automatic transmission. | -- | -- | -- | -- | -- | A ¹ | A ¹ | A ² |
| | HRE | Rear axle, 2.77 ratio 1 - Included and only available with (MX0) automatic transmission when (LGX) 3.6L V6 engine is ordered. 2 - Included and only available with (MX0) automatic transmission. 3 - Included and only available with (MX0) automatic transmission when (A1Y) SS 1LE Track Performance Package is not ordered. | -- | A ¹ | A ¹ | A ¹ | A ² | A ³ | A ³ | -- |
| | | Rear wheel drive | S | S | S | S | S | S | S | S |
| | | StabiliTrak , stability control system with brake assist, includes traction control | S | S | S | S | S | S | S | S |
| | NV9 | Steering , power, variable ratio, electric | S | S | S | S | S | S | S | S |
| | FE2 | Suspension , Sport | S | S | S | S | -- | -- | -- | -- |
| | FE3 | Suspension , Performance 1 - Included and only available with (A1X) 1LE Track Performance Package. | -- | A ¹ | A ¹ | A ¹ | S | S | S | -- |

| Free Flow RPO Code | Ref. Only RPO Code | Description | 1LS Coupe 1AG37 | 1LT Coupe 1AG37 | 2LT Coupe 1AH37 | 3LT Coupe 1AH37 | LT1 Coupe 1AJ37 | 1SS Coupe 1AJ37 | 2SS Coupe 1AK37 | ZL1 Coupe 1AL37 |
|--------------------|--------------------|-----------------------------------------------------------------------------------------------------------------------------------------------------------|-----------------|-----------------|-----------------|-----------------|-----------------|-----------------|-----------------|-----------------|
| | | | 1LS | 1LT | 2LT | 3LT | 1LZ | 1SS | 2SS | 1SE |
| | FE4 | Suspension, Performance 1 - Included and only available with (A1Y) SS 1LE Track Performance Package. | -- | -- | -- | -- | -- | A ¹ | A ¹ | S |
| | FEA | Suspension, Performance with DSSV dampers 1 - Included and only available with (A1Z) ZL1 1LE Extreme Track Performance Package. | -- | -- | -- | -- | -- | -- | -- | A ¹ |
| | MN6 | Transmission, 6-speed manual 1 - Includes Active Rev Matching. | S | S | S | S | S ¹ | S ¹ | S ¹ | S ¹ |
| MX0 | | Transmission, 8-speed automatic, includes transmission oil cooler and (BTV) remote vehicle starter system 1 - Requires (LTG) 2.0L Turbo engine. | A | A ¹ | A ¹ | A ¹ | -- | -- | -- | -- |
| MX0 | | Transmission, 10-speed automatic, includes transmission oil cooler and (BTV) remote vehicle starter system 1 - Requires (LGX) 3.6L V6 engine. | -- | A ¹ | A ¹ | A ¹ | A | A | A | A |

S = Standard Equipment A = Available --(dashes) = Not Available D = ADI Available

■ = Included in Equipment Group □ = Included in Equipment Group but upgradeable

Codes listed in the shaded column titled Ref. Only RPO Code are for internal use only and should not be ordered.

| Free Flow RPO Code | Ref. Only RPO Code | Description | 1LT | 2LT | 3LT | LT1 | 1SS | 2SS | ZL1 | |
|--------------------|--------------------|-----------------------------------------------------------------------------------------------------------------------------------------------------------------------------------------|----------------|----------------|----------------|-------------|----------------|----------------|-------------|-------------|
| | | | Convertible | Convertible | Convertible | Convertible | Convertible | Convertible | Convertible | Convertible |
| | | | 1AG67 | 1AH67 | 1AH67 | 1AJ67 | 1AJ67 | 1AK67 | 1AL67 | |
| | | | 1LT | 2LT | 3LT | 1LZ | 1SS | 2SS | 1SE | |
| | | Battery rundown protection | S | S | S | S | S | S | S | |
| | | Brake , parking, electric | S | S | S | S | S | S | S | |
| | JL9 | Brakes , 4-wheel antilock, 4-wheel disc | S | S | S | -- | -- | -- | -- | |
| | J55 | Brakes , Brembo 4-piston front, performance, 4-wheel antilock, 4-wheel disc 1 - Included and only available with (J6F) Red-painted calipers or (J6L) Orange-painted calipers. | A ¹ | A ¹ | A ¹ | S | -- | -- | -- | |
| | J6G | Brakes , Brembo 4-piston front and rear, performance, 4-wheel antilock, 4-wheel disc | -- | -- | -- | -- | S | S | -- | |
| | J6H | Brakes , Brembo 6-piston front and 4-piston rear, performance, 4-wheel antilock, 4-wheel disc | -- | -- | -- | -- | -- | -- | S | |
| J6L | | Calipers , Orange-painted 1 - Includes (J55) Brembo 4-piston front, performance brakes. Not available REG/5K9 wheels. 2 - Not available with (57V) 20" Caliente wheels. | A ¹ | A ¹ | A ¹ | A | A ² | A ² | -- | |
| J6F | | Calipers , Red-painted 1 - Includes (J55) Brembo 4-piston front, performance brakes. Not available REG/5K9 wheels. 2 - Not available with (57V) 20" Caliente wheels. | A ¹ | A ¹ | A ¹ | A | A ² | A ² | -- | |
| | KC4 | Cooling , external engine oil cooler | -- | -- | -- | S | S | S | S | |
| | V03 | Cooling system , extra capacity | -- | -- | -- | -- | S | S | S | |
| | V18 | Cooler , engine coolant, auxiliary | -- | -- | -- | -- | -- | -- | S | |
| | KNR | Cooler , rear differential | -- | -- | -- | -- | -- | -- | S | |
| | KD1 | Cooler , transmission oil 1 - Included and only available with (MX0) automatic transmission. | -- | -- | -- | -- | A ¹ | A ¹ | S | |
| | G80 | Differential , limited slip 1 - Deleted when (MX0) automatic transmission is ordered. | S ¹ | S ¹ | S ¹ | S | S | S | S | |
| | | Driver Selector Mode , up to 4 modes available for various driving conditions - Snow/Ice, Tour, Sport and Track (SS and ZL1 models only) | S | S | S | S | S | S | S | |
| FE9 | | Emissions , Federal requirements | A | A | A | A | A | A | A | |
| YF5 | | Emissions , California state requirements | A | A | A | A | A | A | A | |

| Free Flow RPO Code | Ref. Only RPO Code | Description | 1LT | 2LT | 3LT | LT1 | 1SS | 2SS | ZL1 |
|--------------------|--------------------|--------------------------------------------------------------------------------------------------------------------------------------------------------------------------------------------------------------------------------------------------------------------------------------------------------------------------------------------------------------------------------------------------------------------------------------------------------------------------------------------------------------------------------------------------------------------------------------------------------------------------------------------------------------------------------------------|----------------|----------------|----------------|----------------|----------------|----------------|----------------|
| | | | Convertible | Convertible | Convertible | Convertible | Convertible | Convertible | Convertible |
| | | | 1AG67 | 1AH67 | 1AH67 | 1AJ67 | 1AJ67 | 1AK67 | 1AL67 |
| | | | 1LT | 2LT | 3LT | 1LZ | 1SS | 2SS | 1SE |
| NE1 | | Emissions , Connecticut, Delaware, Maine, Maryland, Massachusetts, New Jersey, New York, Oregon, Pennsylvania, Rhode Island, Vermont and Washington state requirements | A | A | A | A | A | A | A |
| NB8 | | Emissions override , California (allows a dealer in states that require California emissions - California, Connecticut, Delaware, Maryland, Massachusetts, New Jersey, New York, Oregon, Pennsylvania, Rhode Island or Washington - to order Federal emissions for a vehicle that will be registered in a state that has Federal emission requirements). Do not use for vehicles that will be registered in California, Connecticut, Delaware, Maryland, Massachusetts, New Jersey, New York, Oregon, Pennsylvania, Rhode Island or Washington. 1 - Requires (FE9) Federal emissions requirements. Not available in Maine or Vermont. | A ¹ | A ¹ | A ¹ | A ¹ | A ¹ | A ¹ | A ¹ |
| NB9 | | Emissions override , state-specific (for dealers ordering vehicles in (YF5) or (NE1) emission states - California, Connecticut, Delaware, Maine, Maryland, Massachusetts, New Jersey, New York, Oregon, Pennsylvania, Rhode Island, Vermont and Washington) 1 - Allows a California dealer (YF5 emissions) to order (NE1) emissions with (NB9) emissions override code for registration in (NE1) states; or, a Connecticut, Delaware, Maine, Maryland, Massachusetts, New Jersey, New York, Oregon, Pennsylvania, Rhode Island, Vermont and Washington dealer (NE1 emissions) to order (YF5) emissions with (NB9) emissions override code for registration in California. | A ¹ | A ¹ | A ¹ | A ¹ | A ¹ | A ¹ | A ¹ |
| NC7 | | Emissions override , Federal (for vehicles ordered by dealers in Federal emission states with (YF5) or (NE1) emissions - Not required for vehicles being shipped to California, Connecticut, Delaware, Maine, Maryland, Massachusetts, New Jersey, New York, Oregon, Pennsylvania, Rhode Island, Vermont or Washington) 1 - Requires (YF5) California state emissions requirements or (NE1) Connecticut, Delaware, Maine, Maryland, Massachusetts, New Jersey, New York, Oregon, Pennsylvania, Rhode Island, Vermont or Washington state emissions requirements. | A ¹ | A ¹ | A ¹ | A ¹ | A ¹ | A ¹ | A ¹ |
| | LTG | Engine , 2.0L Turbo, 4-cylinder, SIDI, VVT (275 hp [205 kW] @ 5600 rpm, 295 lb-ft of torque [398.3 N-m] @ 3000-4500 rpm) | S | S | S | -- | -- | -- | -- |
| | LGX | Engine , 3.6L V6, DI, VVT (335 hp [250 kW] @ 6800 rpm, 284 lb-ft of torque [383.4 N-m] @ 5300 rpm) | A | A | A | -- | -- | -- | -- |

| Free Flow RPO Code | Ref. Only RPO Code | Description | 1LT | 2LT | 3LT | LT1 | 1SS | 2SS | ZL1 |
|--------------------|--------------------|---------------------------------------------------------------------------------------------------------------------------------------------------------------------------|------------------|------------------|------------------|------------------|------------------|------------------|----------------|
| | | | Convertible | Convertible | Convertible | Convertible | Convertible | Convertible | Convertible |
| | | | 1AG67 | 1AH67 | 1AH67 | 1AJ67 | 1AJ67 | 1AK67 | 1AL67 |
| | | | 1LT | 2LT | 3LT | 1LZ | 1SS | 2SS | 1SE |
| | LT1 | Engine , 6.2L (376 ci) V8 DI, VVT (455 hp [339.3 kW] @ 6000 rpm, 455 lb-ft of torque [614.3 N-m] @ 4400 rpm) | -- | -- | -- | S | S | S | -- |
| | LT4 | Engine , 6.2L supercharged V8 DI, VVT (650 hp [485 kW] @ 6400 rpm, 650 lb-ft torque [881N-m] @ 3600 rpm) | -- | -- | -- | -- | -- | -- | S |
| | | Engine air filter life monitor | S | S | S | -- | -- | -- | -- |
| K05 | | Engine block heater | A | A | A | -- | -- | -- | -- |
| | N10 | Exhaust , dual-outlet stainless-steel, with bright tips | S | S | S | S | S | S | -- |
| | NPP | Exhaust , dual-mode 1 - Requires (LGX) 3.6L V6 engine. | A ¹ | A ¹ | A ¹ | A | A | A | S |
| | XLC | Launch control , custom 1 - Included and only available with (MX0) automatic transmission. | -- | -- | -- | -- | A ¹ | A ¹ | S |
| | 5WF | LPO, Battery Protection Package | A/D | A/D | A/D | A/D | A/D | A/D | A/D |
| | PCU | LPO, 4-Corner Brembo brake upgrade system in Red , includes (5LQ) 6 Piston Front Brake Kit, LPO and (RX0) 4 Piston Brembo rear calipers in Red, LPO | -- | -- | -- | -- | A/D | A/D | -- |
| | 5LQ | LPO, 6 Piston Front Brake Kit , includes Brembo Red brake calipers, slotted rotors and pad upgrade. Front brakes only. | A/D | A/D | A/D | A/D | A/D | A/D | -- |
| | RX0 | LPO, 4 Piston Brembo rear calipers in Red 1 - Included and only available with (PCU) 4-Corner Brembo brake upgrade system in Red, LPO. | -- | -- | -- | -- | A/D ¹ | A/D ¹ | -- |
| | RVK | LPO, Performance air intake 1 - Not available at start of production. | -- | -- | -- | A/D ¹ | A/D ¹ | A/D ¹ | -- |
| | SCG | LPO, 6.2L Strut tower brace in Black | -- | -- | -- | A/D | A/D | A/D | -- |
| | SG3 | LPO, Lowering suspension upgrade system 1 - Not available with (REG) 18" Silver-painted aluminum wheels. 2 - Not available with (F55) Magnetic Ride Control. | A/D ¹ | A/D ¹ | A/D ¹ | A/D | A/D ² | A/D ² | -- |
| | F55 | Magnetic Ride Control | -- | -- | -- | -- | A | A | S |
| | KB7 | Paddle-shift manual controls 1 - Included and only available with (MX0) automatic transmission. | A ¹ | A ¹ | A ¹ | A ¹ | A ¹ | A ¹ | A ¹ |
| | GW6 | Rear axle , 3.27 ratio | S | S | S | -- | -- | -- | -- |
| | GT4 | Rear axle , 3.73 ratio 1 - Included with (MN6) 6-speed manual transmission. | -- | -- | -- | S ¹ | S ¹ | S ¹ | S ¹ |

| Free Flow RPO Code | Ref. Only RPO Code | Description | 1LT | 2LT | 3LT | LT1 | 1SS | 2SS | ZL1 |
|--------------------|--------------------|---------------------------------------------------------------------------------------------------------------------------------------------------------------------------------------------------------------|----------------|----------------|----------------|----------------|----------------|----------------|----------------|
| | | | Convertible | Convertible | Convertible | Convertible | Convertible | Convertible | Convertible |
| | | | 1AG67 | 1AH67 | 1AH67 | 1AJ67 | 1AJ67 | 1AK67 | 1AL67 |
| | | | 1LT | 2LT | 3LT | 1LZ | 1SS | 2SS | 1SE |
| | HRE | Rear axle, 2.77 ratio 1 - Included and only available with (MX0) automatic transmission when (LGX) 3.6L V6 engine is ordered. 2 - Included and only available with (MX0) automatic transmission. | A ¹ | A ¹ | A ¹ | A ² | A ² | A ² | A ² |
| | | Rear wheel drive | S | S | S | S | S | S | S |
| | | StabiliTrak , stability control system with brake assist, includes traction control | S | S | S | S | S | S | S |
| | NV9 | Steering , power, variable ratio, electric | S | S | S | S | S | S | S |
| | FE2 | Suspension , Sport | S | S | S | -- | -- | -- | -- |
| | FE3 | Suspension , Performance | -- | -- | -- | S | S | S | -- |
| | FE4 | Suspension , Performance | -- | -- | -- | -- | -- | -- | S |
| | MN6 | Transmission , 6-speed manual 1 - Includes Active Rev Matching. | S | S | S | S ¹ | S ¹ | S ¹ | S ¹ |
| MX0 | | Transmission , 8-speed automatic, includes transmission oil cooler and (BTV) remote vehicle starter system 1 - Requires (LTG) 2.0L Turbo engine. | A ¹ | A ¹ | A ¹ | -- | -- | -- | -- |
| MX0 | | Transmission , 10-speed automatic, includes transmission oil cooler and (BTV) remote vehicle starter system 1 - Requires (LGX) 3.6L V6 engine. | A ¹ | A ¹ | A ¹ | A | A | A | A |

| S = Standard Equipment A = Available --(dashes) = Not Available D = ADI Available | | | | | | | | | |
|-----------------------------------------------------------------------------------|----------------------------------|-----------|-------------------------------------------|-----------|-----------------|----------|-----------------------------|----------------------------|----------------------------|
| ■ = Included in Equipment Group □ = Included in Equipment Group but upgradeable | | | | | | | | | |
| Model | Seat Type | Seat Code | Seat Trim | Interior | | | | | |
| | | | | Jet Black | Medium Ash Gray | Kalahari | Adrenaline Red ¹ | Ceramic White ² | Jet Black with Red accents |
| 1LS, 1LT, 1LZ, 1SS | Sport front buckets | A50 | Cloth | H1T | H72 | -- | -- | -- | -- |
| 1LT, 1LZ, 1SS | RECARO Performance front buckets | AQJ | Front leather-trimmed with sueded inserts | H1T | -- | -- | -- | -- | -- |
| 2LT, 3LT, 2SS | Sport front buckets | A50 | Front leather-trimmed seats | H0Y | H17 | H01 | H16 | H13 | -- |
| 2LT, 3LT, 2SS | RECARO Performance front buckets | AQJ | Front leather-trimmed with sueded inserts | H0Y | -- | -- | -- | -- | -- |
| ZL1 | RECARO Performance front buckets | AQJ | Front leather-trimmed with sueded inserts | -- | -- | -- | -- | -- | H0W |

| Exterior Solid Paint | Color Code | Touch Up Paint Number | Interior | | | | | |
|--------------------------------------------------------------------------------------------------------------------------------------------------------------------------------------------------------------------------------------------------------------------------------------------------------------------------------------------------------------------|---------------|--------------------------|-----------------------|--------------------|----------------|-----------------------------|----------------------------|-------------------------------|
| | | | Jet Black | Medium Ash Gray | Kalahari | Adrenaline Red ¹ | Ceramic White ² | Jet Black with Red accents |
| Crush ³ Convertible top color | G16 | WA-413C | A 19T | A 19T | -- | -- | A 19T | A 19T |
| Red Hot Convertible top color | G7C | WA-130X | A 19T | A 19T | A 19T/ 21T | A 19T | A 19T | A 19T |
| Satin Steel Metallic Convertible top color | G9K | WA-464C | A 00T/ 19T | A 00T/ 19T | A 19T/ 21T | A 19T | A 00T/ 19T | A 19T |
| Summit White Convertible top color | GAZ | WA-8624 | A 00T/ 19T/ 21T | A 00T/ 19T | A 19T/ 21T | A 19T | A 00T/ 19T/ 21T | A 19T |
| Black Convertible top color | GBA | WA-8555 | A 00T/ 19T/ 21T | A 00T/ 19T | A 19T/ 21T | A 19T | A 00T/ 19T | A 19T |
| Shadow Gray Metallic Convertible top color | GJI | WA-626D | A 00T/ 19T/ 21T | A 00T/ 19T | A 19T/ 21T | A 19T | A 00T/ 19T | A 19T |
| Riverside Blue Metallic Convertible top color | GKK | WA-627D | A 00T/ 19T | A 00T/ 19T | A 19T/ 21T | -- | A 00T/ 19T | A 19T |
| Shock ³ Convertible top color | GKO | WA-628D | A 19T | A 19T | -- | -- | A 19T | A 19T |
| NEW! Wild Cherry Tintcoat ³ Convertible top color | GSK | WA-252F | A 19T | A 19T | A 19T / 21T | A 19T | A 19T | A 19T |
| Convertible top colors: 00T = Blue, 19T = Black, 21T = Kalahari. Convertible top must be specified in "Plus" (+) option section of order worksheet. 1 - Included and only available with (BRJ) Adrenaline Red Interior Accent Trim Package. 2 - Included and only available with (BRD) Ceramic White Interior Accent Trim Package. 3 - Extra cost. | | | | | | | | |

S = Standard Equipment A = Available --(dashes) = Not Available D = ADI Available

■ = Included in Equipment Group □ = Included in Equipment Group but upgradeable

Codes listed in the shaded column titled Ref. Only RPO Code are for internal use only and should not be ordered.

| Free Flow RPO Code | Ref. Only RPO Code | Description | 1LS Coupe | 1LT Coupe | 2LT Coupe | 3LT Coupe | LT1 Coupe | 1SS Coupe | 2SS Coupe | ZL1 Coupe |
|--------------------|--------------------|----------------------------------------------------------------------------------------------------------------------------------------------------------------------------------------------------------------------------------------------------------------------------------------------------------------------------------------------------------------------------------------------------------------------------------------------------------------------------------------------------------------------------------------------------------------------------------------------------------------------------------------------------------------------------|----------------|----------------|----------------|----------------|----------------|----------------|----------------|----------------|
| | | | 1AG37 | 1AG37 | 1AH37 | 1AH37 | 1AJ37 | 1AJ37 | 1AK37 | 1AL37 |
| | | | 1LS | 1LT | 2LT | 3LT | 1LZ | 1SS | 2SS | 1SE |
| P0J | | <p>OnStar Additional 21 months of OnStar Fleet Safety and Security. Provides 21 months of Fleet Safety and Security service in addition to the 3 months of complimentary coverage that is included in the price of the vehicle. Total OnStar Fleet Safety and Security service duration is 24 months. 1 - Requires (UE1) OnStar. Requires one of the following Fleet or Government order types: FLS, FNR, FRC, FBC, FGO or FEF. Not available with P0K, P0L, P1R, P1S, P1T or P1U. Not available with a ship-to of Guam, Puerto Rico or the Virgin Islands.</p> | A ¹ | A ¹ | A ¹ | A ¹ | A ¹ | A ¹ | A ¹ | A ¹ |
| P0K | | <p>OnStar Additional 33 months of OnStar Fleet Safety and Security. Provides 33 months of Fleet Safety and Security service in addition to the 3 months of complimentary coverage that is included in the price of the vehicle. Total OnStar Fleet Safety and Security service duration is 36 months. 1 - Requires (UE1) OnStar. Requires one of the following Fleet or Government order types: FLS, FNR, FRC, FBC, FGO or FEF. Not available with P0J, P0L, P1R, P1S, P1T or P1U. Not available with a ship-to of Guam, Puerto Rico or the Virgin Islands.</p> | A ¹ | A ¹ | A ¹ | A ¹ | A ¹ | A ¹ | A ¹ | A ¹ |
| P0L | | <p>OnStar Additional 45 months of OnStar Fleet Safety and Security. Provides 45 months of Fleet Safety and Security service in addition to the 3 months of complimentary coverage that is included in the price of the vehicle. Total OnStar Fleet Safety and Security service duration is 48 months. 1 - Requires (UE1) OnStar. Requires one of the following Fleet or Government order types: FLS, FNR, FRC, FBC, FGO or FEF. Not available with P0J, P0K, P1R, P1S, P1T or P1U. Not available with a ship-to of Guam, Puerto Rico or the Virgin Islands.</p> | A ¹ | A ¹ | A ¹ | A ¹ | A ¹ | A ¹ | A ¹ | A ¹ |

| Free Flow RPO Code | Ref. Only RPO Code | Description | 1LS Coupe 1AG37 | 1LT Coupe 1AG37 | 2LT Coupe 1AH37 | 3LT Coupe 1AH37 | LT1 Coupe 1AJ37 | 1SS Coupe 1AJ37 | 2SS Coupe 1AK37 | ZL1 Coupe 1AL37 |
|--------------------|--------------------|-------------------------------------------------------------------------------------------------------------------------------------------------------------------------------------------------------------------------------------------------------------------------------------------------------------------------------------------------------------------------------------------------------------------------------------------------------------------------------------------------------------------------------------------------------------|-----------------|-----------------|-------------------------------------------------------------------------------------------------------------------------------------------------------------------------------------------------------------------------------------------------------------------------------------------------------------------------------------------------------------------------------------------------------------------------------------------------------------------------------------------------------------------------------------------------------------|-----------------|-----------------|-----------------|-----------------|-----------------|
| | | | 1LS | 1LT | 2LT | 3LT | 1LZ | 1SS | 2SS | 1SE |
| | | | P0M | | <p>OnStar Additional 21 months of OnStar Fleet Remote Access. Provides 21 months of Fleet Remote Access service in addition to the 3 months of complimentary coverage that is included in the price of the vehicle. Total OnStar Fleet Remote Access service duration is 24 months.</p> <p>1 - Requires (UE1) OnStar. Requires one of the following Fleet or Government order types: FLS, FNR, FRC, FBC, FGO or FEF. Not available with P0N, P0O, P1R, P1S, P1T or P1U. Not available with a ship-to of Guam, Puerto Rico or the Virgin Islands.</p> | A ¹ | A ¹ | A ¹ | A ¹ | A ¹ |
| P0N | | <p>OnStar Additional 33 months of OnStar Fleet Remote Access. Provides 33 months of Fleet Remote Access service in addition to the 3 months of complimentary coverage that is included in the price of the vehicle. Total OnStar Fleet Remote Access service duration is 36 months.</p> <p>1 - Requires (UE1) OnStar. Requires one of the following Fleet or Government order types: FLS, FNR, FRC, FBC, FGO or FEF. Not available with P0M, P0O, P1R, P1S, P1T or P1U. Not available with a ship-to of Guam, Puerto Rico or the Virgin Islands.</p> | A ¹ | A ¹ | A ¹ | A ¹ | A ¹ | A ¹ | A ¹ | A ¹ |
| P0O | | <p>OnStar Additional 45 months of OnStar Fleet Remote Access. Provides 45 months of Fleet Remote Access service in addition to the 3 months of complimentary coverage that is included in the price of the vehicle. Total OnStar Fleet Remote Access service duration is 48 months.</p> <p>1 - Requires (UE1) OnStar. Requires one of the following Fleet or Government order types: FLS, FNR, FRC, FBC, FGO or FEF. Not available with P0M, P0N, P1R, P1S, P1T or P1U. Not available with a ship-to of Guam, Puerto Rico or the Virgin Islands.</p> | A ¹ | A ¹ | A ¹ | A ¹ | A ¹ | A ¹ | A ¹ | A ¹ |

| Free Flow RPO Code | Ref. Only RPO Code | Description | 1LS Coupe 1AG37 | 1LT Coupe 1AG37 | 2LT Coupe 1AH37 | 3LT Coupe 1AH37 | LT1 Coupe 1AJ37 | 1SS Coupe 1AJ37 | 2SS Coupe 1AK37 | ZL1 Coupe 1AL37 |
|--------------------|--------------------|------------------------------------------------------------------------------------------------------------------------------------------------------------------------------------------------------------------------------------------------------------------------------------------------------------------------------------------------------------------------------------------------------------------------------------------------------------------------------------------------------------------------------------------------------------------------------------------------------------------------------------------------------------------------------------------------------------------------------------------------------------------------------------------------------------------------------------------------------------------------------------------------------------------------------------------------------------------------------------------------------------|-----------------|-----------------|-----------------------------------------------------------------------------------------------------------------------------------------------------------------------------------------------------------------------------------------------------------------------------------------------------------------------------------------------------------------------------------------------------------------------------------------------------------------------------------------------------------------------------------------------------------------------------------------------------------------------------------------------------------------------------------------------------------------------------------------------------------------------------------------------------------------------------------------------------------------------------------------------------------------------------------------------------------------------------------------------------------|-----------------|-----------------|-----------------|-----------------|-----------------|
| | | | 1LS | 1LT | 2LT | 3LT | 1LZ | 1SS | 2SS | 1SE |
| | | | P0V | | <p>OnStar Vehicle Insights - 1 year of Service. Includes 12 months of OnStar Vehicle Insights service. OnStar Vehicle Insights provides fleet managers and drivers the tools and data they need to help maximize fleet productivity and help maximize fleet's operational efficiencies. OnStar Vehicle Insights relays real-time vehicle data like vehicle location, driver performance information and more. Eligible customers must sign up for an account at www.onstarvehicleinsights.com in order to take advantage of this 12 months offer. Requires an active connected vehicle services plan. The OnStar Vehicle Insights service is included in the price of the vehicle. Total service duration is 12 months. Non-Transferrable. Non-Refundable.</p> <p>1 - Requires (UE1) OnStar. Requires one of the following Fleet or Government order types: FLS, FNR, FRC, FBC, FGO or FEF. Not available with POW, POX, POY or POZ.</p> | A ¹ | A ¹ | A ¹ | A ¹ | A ¹ |
| P0W | | <p>OnStar Vehicle Insights - 2 years of Service. Includes 24 months of OnStar Vehicle Insights service. OnStar Vehicle Insights provides fleet managers and drivers the tools and data they need to help maximize fleet productivity and help maximize fleet's operational efficiencies. OnStar Vehicle Insights relays real-time vehicle data like vehicle location, driver performance information and more. Eligible customers must sign up for an account at www.onstarvehicleinsights.com in order to take advantage of this 24 months offer. Requires an active connected vehicle services plan. The OnStar Vehicle Insights service is included in the price of the vehicle. Total service duration is 24 months. Non-Transferrable. Non-Refundable.</p> <p>1 - Requires (UE1) OnStar. Requires one of the following Fleet or Government order types: FLS, FNR, FRC, FBC, FGO or FEF. Not available with POV, POX, POY or POZ.</p> | A ¹ | A ¹ | A ¹ | A ¹ | A ¹ | A ¹ | A ¹ | |

| Free Flow RPO Code | Ref. Only RPO Code | Description | 1LS Coupe 1AG37 | 1LT Coupe 1AG37 | 2LT Coupe 1AH37 | 3LT Coupe 1AH37 | LT1 Coupe 1AJ37 | 1SS Coupe 1AJ37 | 2SS Coupe 1AK37 | ZL1 Coupe 1AL37 |
|--------------------|--------------------|------------------------------------------------------------------------------------------------------------------------------------------------------------------------------------------------------------------------------------------------------------------------------------------------------------------------------------------------------------------------------------------------------------------------------------------------------------------------------------------------------------------------------------------------------------------------------------------------------------------------------------------------------------------------------------------------------------------------------------------------------------------------------------------------------------------------------------------------------------------------------------------------------------------------------------------------------------------------------------------------------------|-----------------|-----------------|------------------------------------------------------------------------------------------------------------------------------------------------------------------------------------------------------------------------------------------------------------------------------------------------------------------------------------------------------------------------------------------------------------------------------------------------------------------------------------------------------------------------------------------------------------------------------------------------------------------------------------------------------------------------------------------------------------------------------------------------------------------------------------------------------------------------------------------------------------------------------------------------------------------------------------------------------------------------------------------------------------|-----------------|-----------------|-----------------|-----------------|-----------------|
| | | | 1LS | 1LT | 2LT | 3LT | 1LZ | 1SS | 2SS | 1SE |
| | | | P0X | | <p>OnStar Vehicle Insights - 3 years of Service. Includes 36 months of OnStar Vehicle Insights service. OnStar Vehicle Insights provides fleet managers and drivers the tools and data they need to help maximize fleet productivity and help maximize fleet's operational efficiencies. OnStar Vehicle Insights relays real-time vehicle data like vehicle location, driver performance information and more. Eligible customers must sign up for an account at www.onstarvehicleinsights.com in order to take advantage of this 36 months offer. Requires an active connected vehicle services plan. The OnStar Vehicle Insights service is included in the price of the vehicle. Total service duration is 36 months. Non-Transferrable. Non-Refundable.</p> <p>1 - Requires (UE1) OnStar. Requires one of the following Fleet or Government order types: FLS, FNR, FRC, FBC, FGO or FEF. Not available with POV, POW, POY or POZ.</p> | A ¹ | A ¹ | A ¹ | A ¹ | A ¹ |
| P0Y | | <p>OnStar Vehicle Insights - 4 years of Service. Includes 48 months of OnStar Vehicle Insights service. OnStar Vehicle Insights provides fleet managers and drivers the tools and data they need to help maximize fleet productivity and help maximize fleet's operational efficiencies. OnStar Vehicle Insights relays real-time vehicle data like vehicle location, driver performance information and more. Eligible customers must sign up for an account at www.onstarvehicleinsights.com in order to take advantage of this 48 months offer. Requires an active connected vehicle services plan. The OnStar Vehicle Insights service is included in the price of the vehicle. Total service duration is 48 months. Non-Transferrable. Non-Refundable.</p> <p>1 - Requires (UE1) OnStar. Requires one of the following Fleet or Government order types: FLS, FNR, FRC, FBC, FGO or FEF. Not available with POV, POW, POX or POZ.</p> | A ¹ | A ¹ | A ¹ | A ¹ | A ¹ | A ¹ | A ¹ | |

| Free Flow RPO Code | Ref. Only RPO Code | Description | 1LS Coupe 1AG37 | 1LT Coupe 1AG37 | 2LT Coupe 1AH37 | 3LT Coupe 1AH37 | LT1 Coupe 1AJ37 | 1SS Coupe 1AJ37 | 2SS Coupe 1AK37 | ZL1 Coupe 1AL37 |
|--------------------|--------------------|-------------------------------------------------------------------------------------------------------------------------------------------------------------------------------------------------------------------------------------------------------------------------------------------------------------------------------------------------------------------------------------------------------------------------------------------------------------------------------------------------------------------------------------------------------------------------------------------------------------------------------------------------------------|-----------------|-----------------|----------------------------------------------------------------------------------------------------------------------------------------------------------------------------------------------------------------------------------------------------------------------------------------------------------------------------------------------------------------------------------------------------------------------------------------------------------------------------------------------------------------------------------------------------------------------------------------------------------------------------------------------------------------------------------------------------------------------------------------------------------------------------------------------------------------------------------------------------------------------------------------------------------------------------------------------------------------------------------------------------------|-----------------|-----------------|-----------------|-----------------|-----------------|
| | | | 1LS | 1LT | 2LT | 3LT | 1LZ | 1SS | 2SS | 1SE |
| | | | P0Z | | <p>OnStar Vehicle Insights - 5 years of Service. Includes 60 months of OnStar Vehicle Insights service. OnStar Vehicle Insights provides fleet managers and drivers the tools and data they need to help maximize fleet productivity and help maximize fleet's operational efficiencies. OnStar Vehicle Insights relays real-time vehicle data like vehicle location, driver performance information and more. Eligible customers must sign up for an account at www.onstarvehicleinsights.com in order to take advantage of this 60 months offer. Requires an active connected vehicle services plan. The OnStar Vehicle Insights service is included in the price of the vehicle. Total service duration is 60 months. Non-Transferrable. Non-Refundable.</p> <p>1 - Requires (UE1) OnStar. Requires one of the following Fleet or Government order types: FLS, FNR, FRC, FBC, FGO or FEF. Not available on P0V, P0W, P0X or P0Y.</p> | A ¹ | A ¹ | A ¹ | A ¹ | A ¹ |
| P1R | | <p>OnStar Additional 9 months of OnStar Fleet Essentials for Tier3 Fleets. Provides 9 months of Fleet Essentials service in addition to the 3 months of complimentary Safety & Security coverage that is included in the price of the vehicle. Total Fleet OnStar Safety & Security service duration is 3 months and 9 months of Fleet Essentials.</p> <p>1 - Requires (UE1) OnStar. Requires one of the following Fleet or Government order types: FLS, FNR, FRC, FBC, FGO or FEF. Not available with P0J, P0K, P0L, P0M, P0N, P0O, P1S, P1T or P1U. Not available with a ship-to of Guam, Puerto Rico or the Virgin Islands.</p> | A ¹ | A ¹ | A ¹ | A ¹ | A ¹ | A ¹ | A ¹ | |
| P1S | | <p>OnStar Additional 21 months of OnStar Fleet Essentials for Tier3 Fleets. Provides 21 months of Fleet Essentials service in addition to the 3 months of complimentary Safety & Security coverage that is included in the price of the vehicle. Total Fleet OnStar Safety & Security service duration is 3 months and 21 months of Fleet Essentials.</p> <p>1 - Requires (UE1) OnStar. Requires one of the following Fleet or Government order types: FLS, FNR, FRC, FBC, FGO or FEF. Not available with P0J, P0K, P0L, P0M, P0N, P0O, P1R, P1T or P1U. Not available with a ship-to of Guam, Puerto Rico or the Virgin Islands.</p> | A ¹ | A ¹ | A ¹ | A ¹ | A ¹ | A ¹ | A ¹ | |

| Free Flow RPO Code | Ref. Only RPO Code | Description | 1LS Coupe 1AG37 | 1LT Coupe 1AG37 | 2LT Coupe 1AH37 | 3LT Coupe 1AH37 | LT1 Coupe 1AJ37 | 1SS Coupe 1AJ37 | 2SS Coupe 1AK37 | ZL1 Coupe 1AL37 |
|--------------------|--------------------|------------------------------------------------------------------------------------------------------------------------------------------------------------------------------------------------------------------------------------------------------------------------------------------------------------------------------------------------------------------------------------------------------------------------------------------------------------------------------------------------------------------------------------------------------------------------------------------------------------------------------------------------------|-----------------|-----------------|-----------------|-----------------|-----------------|-----------------|-----------------|-----------------|
| | | | 1LS | 1LT | 2LT | 3LT | 1LZ | 1SS | 2SS | 1SE |
| P1T | | <p>OnStar Additional 33 months of OnStar Fleet Essentials for Tier3 Fleets. Provides 33 months of Fleet Essentials service in addition to the 3 months of complimentary Safety & Security coverage that is included in the price of the vehicle. Total Fleet OnStar Safety & Security service duration is 3 months and 33 months of Fleet Essentials.</p> <p>1 - Requires (UE1) OnStar. Requires one of the following Fleet or Government order types: FLS, FNR, FRC, FBC, FGO or FEF. Not available with P0J, P0K, P0L, P0M, P0N, P0O, P1R, P1S or P1U. Not available with a ship-to of Guam, Puerto Rico or the Virgin Islands.</p> | A | A ¹ | A ¹ | A ¹ | A ¹ | A ¹ | A ¹ | A ¹ |
| P1U | | <p>OnStar Additional 45 months of OnStar Fleet Essentials for Tier3 Fleets. Provides 45 months of Fleet Essentials service in addition to the 3 months of complimentary Safety & Security coverage that is included in the price of the vehicle. Total Fleet OnStar Safety & Security service duration is 3 months and 45 months of Fleet Essentials.</p> <p>1 - Requires (UE1) OnStar. Requires one of the following Fleet or Government order types: FLS, FNR, FRC, FBC, FGO or FEF. Not available with P0J, P0K, P0L, P0M, P0N, P0O, P1R, P1S or P1T. Not available with a ship-to of Guam, Puerto Rico or the Virgin Islands.</p> | A ¹ | A ¹ | A ¹ | A ¹ | A ¹ | A ¹ | A ¹ | A ¹ |

S = Standard Equipment A = Available --(dashes) = Not Available D = ADI Available

■ = Included in Equipment Group □ = Included in Equipment Group but upgradeable

Codes listed in the shaded column titled Ref. Only RPO Code are for internal use only and should not be ordered.

| Free Flow RPO Code | Ref. Only RPO Code | Description | 1LT | 2LT | 3LT | LT1 | 1SS | 2SS | ZL1 |
|--------------------|--------------------|--------------------------------------------------------------------------------------------------------------------------------------------------------------------------------------------------------------------------------------------------------------------------------------------------------------------------------------------------------------------------------------------------------------------------------------------------------------------------------------------------------------------------------------------------------------------|----------------|----------------|----------------|----------------|----------------|----------------|----------------|
| | | | Convertible | Convertible | Convertible | Convertible | Convertible | Convertible | Convertible |
| | | | 1AG67 | 1AH67 | 1AH67 | 1AJ67 | 1AJ67 | 1AK67 | 1AL67 |
| | | | 1LT | 2LT | 3LT | 1LZ | 1SS | 2SS | 1SE |
| P0J | | OnStar Additional 21 months of OnStar Fleet Safety and Security. Provides 21 months of Fleet Safety and Security service in addition to the 3 months of complimentary coverage that is included in the price of the vehicle. Total OnStar Fleet Safety and Security service duration is 24 months. 1 - Requires (UE1) OnStar. Requires one of the following Fleet or Government order types: FLS, FNR, FRC, FBC, FGO or FEF. Not available with P0K, P0L, P1R, P1S, P1T or P1U. Not available with a ship-to of Guam, Puerto Rico or the Virgin Islands. | A ¹ | A ¹ | A ¹ | A ¹ | A ¹ | A ¹ | A ¹ |
| P0K | | OnStar Additional 33 months of OnStar Fleet Safety and Security. Provides 33 months of Fleet Safety and Security service in addition to the 3 months of complimentary coverage that is included in the price of the vehicle. Total OnStar Fleet Safety and Security service duration is 36 months. 1 - Requires (UE1) OnStar. Requires one of the following Fleet or Government order types: FLS, FNR, FRC, FBC, FGO or FEF. Not available with P0J, P0L, P1R, P1S, P1T or P1U. Not available with a ship-to of Guam, Puerto Rico or the Virgin Islands. | A ¹ | A ¹ | A ¹ | A ¹ | A ¹ | A ¹ | A ¹ |
| P0L | | OnStar Additional 45 months of OnStar Fleet Safety and Security. Provides 45 months of Fleet Safety and Security service in addition to the 3 months of complimentary coverage that is included in the price of the vehicle. Total OnStar Fleet Safety and Security service duration is 48 months. 1 - Requires (UE1) OnStar. Requires one of the following Fleet or Government order types: FLS, FNR, FRC, FBC, FGO or FEF. Not available with P0J, P0K, P1R, P1S, P1T or P1U. Not available with a ship-to of Guam, Puerto Rico or the Virgin Islands. | A ¹ | A ¹ | A ¹ | A ¹ | A ¹ | A ¹ | A ¹ |
| P0M | | OnStar Additional 21 months of OnStar Fleet Remote Access. Provides 21 months of Fleet Remote Access service in addition to the 3 months of complimentary coverage that is included in the price of the vehicle. Total OnStar Fleet Remote Access service duration is 24 months. 1 - Requires (UE1) OnStar. Requires one of the following Fleet or Government order types: FLS, FNR, FRC, FBC, FGO or FEF. Not available with P0N, P0O, P1R, P1S, P1T or P1U. Not available with a ship-to of Guam, Puerto Rico or the Virgin Islands. | A ¹ | A ¹ | A ¹ | A ¹ | A ¹ | A ¹ | A ¹ |

| Free Flow RPO Code | Ref. Only RPO Code | Description | 1LT | 2LT | 3LT | LT1 | 1SS | 2SS | ZL1 |
|--------------------|--------------------|----------------------------------------------------------------------------------------------------------------------------------------------------------------------------------------------------------------------------------------------------------------------------------------------------------------------------------------------------------------------------------------------------------------------------------------------------------------------------------------------------------------------------------------------------------------------------------------------------------------------------------------------------------------------------------------------------------------------------------------------------------------------------------------------------------------------------------------------------------------------------------------------------------------------------------------------------------------------------------------------------|----------------|----------------|----------------|----------------|----------------|----------------|----------------|
| | | | Convertible | Convertible | Convertible | Convertible | Convertible | Convertible | Convertible |
| | | | 1AG67 | 1AH67 | 1AH67 | 1AJ67 | 1AJ67 | 1AK67 | 1AL67 |
| | | | 1LT | 2LT | 3LT | 1LZ | 1SS | 2SS | 1SE |
| P0N | | <p>OnStar Additional 33 months of OnStar Fleet Remote Access. Provides 33 months of Fleet Remote Access service in addition to the 3 months of complimentary coverage that is included in the price of the vehicle. Total OnStar Fleet Remote Access service duration is 36 months.</p> <p>1 - Requires (UE1) OnStar. Requires one of the following Fleet or Government order types: FLS, FNR, FRC, FBC, FGO or FEF. Not available with P0M, P0O, P1R, P1S, P1T or P1U. Not available with a ship-to of Guam, Puerto Rico or the Virgin Islands.</p> | A ¹ | A ¹ | A ¹ | A ¹ | A ¹ | A ¹ | A ¹ |
| P0O | | <p>OnStar Additional 45 months of OnStar Fleet Remote Access. Provides 45 months of Fleet Remote Access service in addition to the 3 months of complimentary coverage that is included in the price of the vehicle. Total OnStar Fleet Remote Access service duration is 48 months.</p> <p>1 - Requires (UE1) OnStar. Requires one of the following Fleet or Government order types: FLS, FNR, FRC, FBC, FGO or FEF. Not available with P0M, P0N, P1R, P1S, P1T or P1U. Not available with a ship-to of Guam, Puerto Rico or the Virgin Islands.</p> | A ¹ | A ¹ | A ¹ | A ¹ | A ¹ | A ¹ | A ¹ |
| P0V | | <p>OnStar Vehicle Insights - 1 year of Service. Includes 12 months of OnStar Vehicle Insights service. OnStar Vehicle Insights provides fleet managers and drivers the tools and data they need to help maximize fleet productivity and help maximize fleet's operational efficiencies. OnStar Vehicle Insights relays real-time vehicle data like vehicle location, driver performance information and more. Eligible customers must sign up for an account at www.onstarvehicleinsights.com in order to take advantage of this 12 months offer. Requires an active connected vehicle services plan. The OnStar Vehicle Insights service is included in the price of the vehicle. Total service duration is 12 months. Non-Transferrable. Non-Refundable.</p> <p>1 - Requires (UE1) OnStar. Requires one of the following Fleet or Government order types: FLS, FNR, FRC, FBC, FGO or FEF. Not available with P0W, P0X, P0Y or P0Z.</p> | A ¹ | A ¹ | A ¹ | A ¹ | A ¹ | A ¹ | A ¹ |

| Free Flow RPO Code | Ref. Only RPO Code | Description | 1LT | 2LT | 3LT | LT1 | 1SS | 2SS | ZL1 |
|--------------------|--------------------|------------------------------------------------------------------------------------------------------------------------------------------------------------------------------------------------------------------------------------------------------------------------------------------------------------------------------------------------------------------------------------------------------------------------------------------------------------------------------------------------------------------------------------------------------------------------------------------------------------------------------------------------------------------------------------------------------------------------------------------------------------------------------------------------------------------------------------------------------------------------------------------------------------------------------------------------------------------------------------------------------------|----------------|----------------|----------------|----------------|----------------|----------------|----------------|
| | | | Convertible | Convertible | Convertible | Convertible | Convertible | Convertible | Convertible |
| | | | 1AG67 | 1AH67 | 1AH67 | 1AJ67 | 1AJ67 | 1AK67 | 1AL67 |
| | | | 1LT | 2LT | 3LT | 1LZ | 1SS | 2SS | 1SE |
| P0W | | <p>OnStar Vehicle Insights - 2 years of Service. Includes 24 months of OnStar Vehicle Insights service. OnStar Vehicle Insights provides fleet managers and drivers the tools and data they need to help maximize fleet productivity and help maximize fleet's operational efficiencies. OnStar Vehicle Insights relays real-time vehicle data like vehicle location, driver performance information and more. Eligible customers must sign up for an account at www.onstarvehicleinsights.com in order to take advantage of this 24 months offer. Requires an active connected vehicle services plan. The OnStar Vehicle Insights service is included in the price of the vehicle. Total service duration is 24 months. Non-Transferrable. Non-Refundable.</p> <p>1 - Requires (UE1) OnStar. Requires one of the following Fleet or Government order types: FLS, FNR, FRC, FBC, FGO or FEF. Not available with P0V, P0X, P0Y or P0Z.</p> | A ¹ | A ¹ | A ¹ | A ¹ | A ¹ | A ¹ | A ¹ |
| P0X | | <p>OnStar Vehicle Insights - 3 years of Service. Includes 36 months of OnStar Vehicle Insights service. OnStar Vehicle Insights provides fleet managers and drivers the tools and data they need to help maximize fleet productivity and help maximize fleet's operational efficiencies. OnStar Vehicle Insights relays real-time vehicle data like vehicle location, driver performance information and more. Eligible customers must sign up for an account at www.onstarvehicleinsights.com in order to take advantage of this 36 months offer. Requires an active connected vehicle services plan. The OnStar Vehicle Insights service is included in the price of the vehicle. Total service duration is 36 months. Non-Transferrable. Non-Refundable.</p> <p>1 - Requires (UE1) OnStar. Requires one of the following Fleet or Government order types: FLS, FNR, FRC, FBC, FGO or FEF. Not available with P0V, P0W, P0Y or P0Z.</p> | A ¹ | A ¹ | A ¹ | A ¹ | A ¹ | A ¹ | A ¹ |

| Free Flow RPO Code | Ref. Only RPO Code | Description | 1LT | 2LT | 3LT | LT1 | 1SS | 2SS | ZL1 |
|--------------------|--------------------|------------------------------------------------------------------------------------------------------------------------------------------------------------------------------------------------------------------------------------------------------------------------------------------------------------------------------------------------------------------------------------------------------------------------------------------------------------------------------------------------------------------------------------------------------------------------------------------------------------------------------------------------------------------------------------------------------------------------------------------------------------------------------------------------------------------------------------------------------------------------------------------------------------------------------------------------------------------------------------------------------------|----------------|----------------|----------------|----------------|----------------|----------------|----------------|
| | | | Convertible | Convertible | Convertible | Convertible | Convertible | Convertible | Convertible |
| | | | 1AG67 | 1AH67 | 1AH67 | 1AJ67 | 1AJ67 | 1AK67 | 1AL67 |
| | | | 1LT | 2LT | 3LT | 1LZ | 1SS | 2SS | 1SE |
| P0Y | | <p>OnStar Vehicle Insights - 4 years of Service. Includes 48 months of OnStar Vehicle Insights service. OnStar Vehicle Insights provides fleet managers and drivers the tools and data they need to help maximize fleet productivity and help maximize fleet's operational efficiencies. OnStar Vehicle Insights relays real-time vehicle data like vehicle location, driver performance information and more. Eligible customers must sign up for an account at www.onstarvehicleinsights.com in order to take advantage of this 48 months offer. Requires an active connected vehicle services plan. The OnStar Vehicle Insights service is included in the price of the vehicle. Total service duration is 48 months. Non-Transferrable. Non-Refundable.</p> <p>1 - Requires (UE1) OnStar. Requires one of the following Fleet or Government order types: FLS, FNR, FRC, FBC, FGO or FEF. Not available with P0V, P0W, P0X or P0Z.</p> | A ¹ | A ¹ | A ¹ | A ¹ | A ¹ | A ¹ | A ¹ |
| P0Z | | <p>OnStar Vehicle Insights - 5 years of Service. Includes 60 months of OnStar Vehicle Insights service. OnStar Vehicle Insights provides fleet managers and drivers the tools and data they need to help maximize fleet productivity and help maximize fleet's operational efficiencies. OnStar Vehicle Insights relays real-time vehicle data like vehicle location, driver performance information and more. Eligible customers must sign up for an account at www.onstarvehicleinsights.com in order to take advantage of this 60 months offer. Requires an active connected vehicle services plan. The OnStar Vehicle Insights service is included in the price of the vehicle. Total service duration is 60 months. Non-Transferrable. Non-Refundable.</p> <p>1 - Requires (UE1) OnStar. Requires one of the following Fleet or Government order types: FLS, FNR, FRC, FBC, FGO or FEF. Not available on P0V, P0W, P0X or P0Y.</p> | A ¹ | A ¹ | A ¹ | A ¹ | A ¹ | A ¹ | A ¹ |

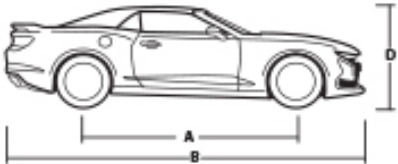
| Free Flow RPO Code | Ref. Only RPO Code | Description | 1LT | 2LT | 3LT | LT1 | 1SS | 2SS | ZL1 |
|--------------------|--------------------|------------------------------------------------------------------------------------------------------------------------------------------------------------------------------------------------------------------------------------------------------------------------------------------------------------------------------------------------------------------------------------------------------------------------------------------------------------------------------------------------------------------------------------------------------------------------------------------------------------------------------------------------------|----------------|----------------|----------------|----------------|----------------|----------------|----------------|
| | | | Convertible | Convertible | Convertible | Convertible | Convertible | Convertible | Convertible |
| | | | 1AG67 | 1AH67 | 1AH67 | 1AJ67 | 1AJ67 | 1AK67 | 1AL67 |
| | | | 1LT | 2LT | 3LT | 1LZ | 1SS | 2SS | 1SE |
| P1R | | <p>OnStar Additional 9 months of OnStar Fleet Essentials for Tier3 Fleets. Provides 9 months of Fleet Essentials service in addition to the 3 months of complimentary Safety & Security coverage that is included in the price of the vehicle. Total Fleet OnStar Safety & Security service duration is 3 months and 9 months of Fleet Essentials.</p> <p>1 - Requires (UE1) OnStar. Requires one of the following Fleet or Government order types: FLS, FNR, FRC, FBC, FGO or FEF. Not available with P0J, P0K, P0L, P0M, P0N, P0O, P1S, P1T or P1U. Not available with a ship-to of Guam, Puerto Rico or the Virgin Islands.</p> | A ¹ | A ¹ | A ¹ | A ¹ | A ¹ | A ¹ | A ¹ |
| P1S | | <p>OnStar Additional 21 months of OnStar Fleet Essentials for Tier3 Fleets. Provides 21 months of Fleet Essentials service in addition to the 3 months of complimentary Safety & Security coverage that is included in the price of the vehicle. Total Fleet OnStar Safety & Security service duration is 3 months and 21 months of Fleet Essentials.</p> <p>1 - Requires (UE1) OnStar. Requires one of the following Fleet or Government order types: FLS, FNR, FRC, FBC, FGO or FEF. Not available with P0J, P0K, P0L, P0M, P0N, P0O, P1R, P1T or P1U. Not available with a ship-to of Guam, Puerto Rico or the Virgin Islands.</p> | A ¹ | A ¹ | A ¹ | A ¹ | A ¹ | A ¹ | A ¹ |
| P1T | | <p>OnStar Additional 33 months of OnStar Fleet Essentials for Tier3 Fleets. Provides 33 months of Fleet Essentials service in addition to the 3 months of complimentary Safety & Security coverage that is included in the price of the vehicle. Total Fleet OnStar Safety & Security service duration is 3 months and 33 months of Fleet Essentials.</p> <p>1 - Requires (UE1) OnStar. Requires one of the following Fleet or Government order types: FLS, FNR, FRC, FBC, FGO or FEF. Not available with P0J, P0K, P0L, P0M, P0N, P0O, P1R, P1S or P1U. Not available with a ship-to of Guam, Puerto Rico or the Virgin Islands.</p> | A ¹ | A ¹ | A ¹ | A ¹ | A ¹ | A ¹ | A ¹ |
| P1U | | <p>OnStar Additional 45 months of OnStar Fleet Essentials for Tier3 Fleets. Provides 45 months of Fleet Essentials service in addition to the 3 months of complimentary Safety & Security coverage that is included in the price of the vehicle. Total Fleet OnStar Safety & Security service duration is 3 months and 45 months of Fleet Essentials.</p> <p>1 - Requires (UE1) OnStar. Requires one of the following Fleet or Government order types: FLS, FNR, FRC, FBC, FGO or FEF. Not available with P0J, P0K, P0L, P0M, P0N, P0O, P1R, P1S or P1T. Not available with a ship-to of Guam, Puerto Rico or the Virgin Islands.</p> | A ¹ | A ¹ | A ¹ | A ¹ | A ¹ | A ¹ | A ¹ |

All dimensions in inches (mm) unless otherwise stated.

| | | Specifications | 1AG3 | 1AG3 | 1AH3 | 1AH3 | 1AJ37 | 1AJ37 | 1AK3 | 1AL3 |
|--|---|---------------------------|------------------------|------------------------|------------------------|------------------------|-------------------|-------------------|------------------------|------------------------|
| | | | 7 1LS Cou- pe | 7 1LT Cou- pe | 7 2LT Cou- pe | 7 3LT Cou- pe | LT1 Cou- pe | 1SS Cou- pe | 7 2SS Cou- pe | 7 ZL1 Cou- pe |
| | A | Wheelbase | 110.7 (2812) | 110.7 (2812) | 110.7 (2812) | 110.7 (2812) | 110.7 (2812) | 110.7 (2812) | 110.7 (2812) | 110.7 (2812) |
| | B | Overall length | 188.3 (4783) | 188.3 (4783) | 188.3 (4783) | 188.3 (4783) | 188.3 (4783) | 188.3 (4783) | 188.3 (4783) | 190.2 (4831) |
| | | Overall width | 74.7 (1897) | 74.7 (1897) | 74.7 (1897) | 74.7 (1897) | 74.7 (1897) | 74.7 (1897) | 74.7 (1897) | 75 (1905) |
| | D | Overall height | 53.1 (1349) | 53.1 (1349) | 53.1 (1349) | 53.1 (1349) | 53.1 (1349) | 53.1 (1349) | 53.1 (1349) | 52.9 (1344) |
| | | Front track width | 62.5 (1588) | 62.5 (1588) | 62.5 (1588) | 62.5 (1588) | 62.5 (1588) | 63 (1600) | 63 (1600) | 63.4 (1610) |
| | | Rear track width | 63.7 (1618) | 63.7 (1618) | 63.7 (1618) | 63.7 (1618) | 63.7 (1618) | 62.9 (1598) | 62.9 (1598) | 62 (1575) |
| | | Head room, front, maximum | 38.5 (978) | 38.5 (978) | 38.5 (978) | 38.5 (978) | 38.5 (978) | 38.5 (978) | 38.5 (978) | 38.5 (978) |
| | | Leg room, front, maximum | 43.9 (1115) | 43.9 (1115) | 43.9 (1115) | 43.9 (1115) | 43.9 (1115) | 43.9 (1115) | 43.9 (1115) | 43.9 (1115) |

Published dimensions indicated are without optional equipment or accessories. Additional accessories or equipment ordered at the customer's request can result in a minor change in these dimensions.

All dimensions in inches (mm) unless otherwise stated.

| Specifications | | 1AG67 | 1AH67 | 1AH67 | 1AJ67 | 1AJ67 | 1AK67 | 1AL67 | |
|-----------------------------------------------------------------------------------|---|------------------------------|------------------------------|------------------------------|------------------------------|------------------------------|------------------------------|------------------------------|----------------|
| | | 1LT Con- verti- ble | 2LT Con- verti- ble | 3LT Con- verti- ble | LT1 Con- verti- ble | 1SS Con- verti- ble | 2SS Con- verti- ble | ZL1 Con- verti- ble | |
|  | A | Wheelbase | 110.7 (2812) | 110.7 (2812) | 110.7 (2812) | 110.7 (2812) | 110.7 (2812) | 110.7 (2812) | |
| | B | Overall length | 188.3 (4783) | 188.3 (4783) | 188.3 (4783) | 188.3 (4783) | 188.3 (4783) | 190.2 (4831) | |
| | | Overall width | 74.7 (1897) | 74.7 (1897) | 74.7 (1897) | 74.7 (1897) | 74.7 (1897) | 75 (1905) | |
| | D | Overall height | 52.9 (1344) | 52.9 (1344) | 52.9 (1344) | 52.9 (1344) | 52.9 (1344) | 52.6 (1336) | |
| | | Front track width | 62.5 (1588) | 62.5 (1588) | 62.5 (1588) | 62.5 (1588) | 63 (1600) | 63 (1600) | 63.4 (1610) |
| | | Rear track width | 63.7 (1618) | 63.7 (1618) | 63.7 (1618) | 63.7 (1618) | 62.9 (1598) | 62.9 (1598) | 62 (1575) |
| | | Head room, front, maximum | 38.4 (975) | 38.4 (975) | 38.4 (975) | 38.4 (975) | 38.4 (975) | 38.4 (975) | 38.4 (975) |
| | | Leg room, front, maximum | 43.9 (1115) | 43.9 (1115) | 43.9 (1115) | 43.9 (1115) | 43.9 (1115) | 43.9 (1115) | 43.9 (1115) |

Published dimensions indicated are without optional equipment or accessories. Additional accessories or equipment ordered at the customer's request can result in a minor change in these dimensions.

| | 1AG37 1LS Coupe | 1AG37 1LT Coupe | 1AH37 2LT Coupe | 1AH37 3LT Coupe | 1AJ37 LT1 Coupe | 1AJ37 1SS Coupe | 1AK37 2SS Coupe | 1AL37 ZL1 Coupe |
|----------------------------------------------------|-----------------------|-----------------------|-----------------------|-----------------------|-----------------------|-----------------------|-----------------------|-----------------------|
| Capacities | | | | | | | | |
| Curb weight, manual with LTG 2.0L Turbo, lbs. (kg) | 3351 (1520) | 3354 (1521) | 3374 (1530) | 3374 (1530) | -- | -- | -- | -- |
| Curb weight, auto with LTG 2.0L Turbo, lbs. (kg) | 3332 (1511) | 3334 (1512) | 3354 (1521) | 3354 (1521) | -- | -- | -- | -- |
| Curb weight, manual with LGX 3.6L, lbs. (kg) | -- | 3411 (1547) | 3431 (1556) | 3431 (1556) | -- | -- | -- | -- |
| Curb weight, auto with LGX 3.6L, lbs. (kg) | -- | 3418 (1550) | 3438 (1559) | 3438 (1559) | -- | -- | -- | -- |
| Curb weight, with 1LE, LTG 2.0L Turbo, lbs. (kg) | -- | 3393 (1539) | 3413 (1548) | 3413 (1548) | -- | -- | -- | -- |
| Curb weight, with 1LE, LGX 3.6L, lbs. (kg) | -- | 3468 (1573) | 3488 (1582) | 3488 (1582) | -- | -- | -- | -- |
| Curb weight, manual, lbs. (kg) | -- | -- | -- | -- | 3619 (1642) | 3685 (1672) | 3696 (1677) | 3907 (1772) |
| Curb weight, automatic, lbs. (kg) | -- | -- | -- | -- | 3681 (1670) | 3747 (1700) | 3757 (1704) | 3938 (1786) |
| Curb weight, with 1LE, manual, lbs. (kg) | -- | -- | -- | -- | -- | 3754 (1703) | 3762 (1706) | 3853 (1748) |
| Curb weight, with 1LE, auto, lbs. (kg) | -- | -- | -- | -- | -- | -- | -- | 3883 (1761) |
| Trunk volume, cu. ft. (liters) | 9.1 (257.7) | 9.1 (257.7) | 9.1 (257.7) | 9.1 (257.7) | 9.1 (257.7) | 9.1 (257.7) | 9.1 (257.7) | 9.1 (257.7) |
| Seating capacity (front/rear) | 2/2 | 2/2 | 2/2 | 2/2 | 2/2 | 2/2 | 2/2 | 2/2 |



| | 1AG67 1LT Convertible | 1AH67 2LT Convertible | 1AH67 3LT Convertible | 1AJ67 LT1 Convertible | 1AJ67 1SS Convertible | 1AK67 2SS Convertible | 1AL67 ZL1 Convertible |
|----------------------------------------------------|-----------------------------|-----------------------------|-----------------------------|-----------------------------|-----------------------------|-----------------------------|-----------------------------|
| Capacities | | | | | | | |
| Curb weight, manual with LTG 2.0L Turbo, lbs. (kg) | 3627 (1645) | 3638 (1650) | 3638 (1650) | -- | -- | -- | -- |
| Curb weight, auto with LTG 2.0L Turbo, lbs. (kg) | 3607 (1636) | 3618 (1641) | 3618 (1641) | -- | -- | -- | -- |
| Curb weight, manual with LGX 3.6L, lbs. (kg) | 3684 (1671) | 3695 (1676) | 3695 (1676) | -- | -- | -- | -- |
| Curb weight, auto with LGX 3.6L, lbs. (kg) | 3691 (1674) | 3702 (1679) | 3702 (1679) | -- | -- | -- | -- |
| Curb weight, manual, lbs. (kg) | -- | -- | -- | 3865 (1753) | 3932 (1784) | 3937 (1786) | 4120 (1869) |
| Curb weight, automatic, lbs. (kg) | -- | -- | -- | 3927 (1781) | 3993 (1811) | 3999 (1814) | 4151 (1883) |
| Trunk volume, cu. ft. (liters) | 7.3 (206.7) | 7.3 (206.7) | 7.3 (206.7) | 7.3 (206.7) | 7.3 (206.7) | 7.3 (206.7) | 7.3 (206.7) |
| Seating capacity (front/rear) | 2/2 | 2/2 | 2/2 | 2/2 | 2/2 | 2/2 | 2/2 |

| | |
|-------------------------------------------------------------------------------------|-----------------------------------------------------------------------------------------------------------------------------------------------------------------------|
|  | <p>SGE Wheels, 18" (45.7 cm) 5-split spoke Silver-painted aluminum</p> |
|  | <p>56R Wheels, 20" x 8.5" (50.8 cm x 21.6 cm) front and 20" x 9.5" (50.8 cm x 24.1 cm) rear 5-split spoke premium Gray-painted machined-face aluminum</p> |
|  | <p>56S Wheels, 20" x 8.5" (50.8 cm x 21.6 cm) front and 20" x 9.5" (50.8 cm x 24.1 cm) rear bright 5-spoke Silver-painted aluminum</p> |
|  | <p>56W Wheels, 20" x 8.5" (50.8 cm x 21.6 cm) front and 20" x 9.5" (50.8 cm x 24.1 cm) rear 5-split spoke bright Silver-painted aluminum</p> |
|  | <p>RQ9 Wheels, 20" (50.8 cm) 5-split spoke premium Gray-painted, machined-face aluminum</p> |

| | |
|-------------------------------------------------------------------------------------|---------------------------------------------------------------------------------------------------------------------------------------------------------------------------------------------------------------------------------------------------------------------------------------------------|
|  | <p>RTJ Wheels, 20" (50.8 cm) 5-spilt spoke bright Silver-painted aluminum</p> |
|  | <p>REG Wheels, 18" (45.7 cm) Silver-painted aluminum</p> |
|  | <p>SHL LPO, 20" (50.8 cm) 5-spoke gloss Black wheels with Red outline stripe. When ordering SHL with other optional wheels, 2 complete sets of wheels are being ordered. Please ensure customer desires both sets of wheels before proceeding to place order with LPO wheels SHL.</p> |
|  | <p>56Z Wheels, 20" x 8.5" (50.8 cm x 21.6 cm) front and 20" x 9.5" (50.8 cm x 24.1 cm) rear low gloss Black-painted forged aluminum</p> |
|  | <p>RSK Wheels, 20" x 10" (50.8 cm x 25.4 cm) front and 20" x 11" (50.8 cm x 27.9 cm) rear Satin Graphite forged aluminum</p> |

| | |
|-------------------------------------------------------------------------------------|-----------------------------------------------------------------------------------------------------------------------------------------------------------------------------------------------------------------------------------------------------------------------------------|
|  | <p>RTQ Wheels, 20" x 10" (50.8 cm x 25.4 cm) front and 20" x 11" (50.8 cm x 27.9 cm) rear Dark Graphite premium paint, forged aluminum</p> |
|  | <p>PKJ Wheels, 19" x 11" (48.3 cm x 27.9 cm) front and 19" x 12" (48.3 cm x 30.48 cm) rear low gloss Black-painted forged aluminum</p> |
|  | <p>SRI Wheels, 20" (50.8 cm) Black-painted aluminum with Red accents</p> |
|  | <p>58E Wheels, 20" x 8.5" (50.8 cm x 21.6 cm) front and 20" x 9.5" (50.8 cm x 24.1 cm) rear Black-painted aluminum with Red accents</p> |
|  | <p>SKW LPO, 20" (50.8 cm) 5-split spoke machined-face wheels. When ordering SKW with other optional wheels, 2 complete sets of wheels are being ordered. Please ensure customer desires both sets of wheels before proceeding to place order with LPO wheels SKW.</p> |

| | |
|-------------------------------------------------------------------------------------|--------------------------------------------------------------------------------------------------------------------------------------------------------------------------------------------------------------------------------------------------------------------------------------------------------------------------------------------------------------------|
|  | <p>5JX LPO, LT 20" (50.8 cm) 5-split spoke Satin Black wheels. When ordering 5JX with other optional wheels, 2 complete sets of wheels are being ordered. Please ensure customer desires both sets of wheels before proceeding to place order with LPO wheels 5JX.</p> |
|  | <p>57S LPO, SS 20" (50.8 cm) 5-split spoke Satin Black wheels. When ordering 57S with other optional wheels, 2 complete sets of wheels are being ordered. Please ensure customer desires both sets of wheels before proceeding to place order with LPO wheels 57S.</p> |
|  | <p>RTH Wheels, 20" (50.8 cm) 5-spoke Carbon Flash painted aluminum</p> |
|  | <p>56V Wheels, 20" x 8.5" (50.8 cm x 21.6 cm) front and 20" x 9.5" (50.8 cm x 24.1 cm) rear 5-spoke Carbon Flash painted aluminum</p> |
|  | <p>56H LPO, SS 20" (50.8 cm) 5-spoke gloss Black wheels with Red stripe. When ordering 56H with other optional wheels, 2 complete sets of wheels are being ordered. Please ensure customer desires both sets of wheels before proceeding to place order with LPO wheels 56H. Includes (VWD) Gloss Black wheel center caps with Silver bowtie, LPO.</p> |

| | |
|-------------------------------------------------------------------------------------|-----------------------------------------------------------------------------------------------------------------------------------------------------------------------------------------------------------------------------------------------------------------------------------------------------------|
|  | <p>56M LPO, SS 20" (50.8 cm) 5-split spoke machined-face wheels. When ordering 56M with other optional wheels, 2 complete sets of wheels are being ordered. Please ensure customer desires both sets of wheels before proceeding to place order with LPO wheels 56M.</p> |
|  | <p>57W Wheels, 20" x 8.5" (50.8 cm x 21.6 cm) front and 20" x 9.5" (50.8 cm x 24.1 cm) rear 5-split spoke polished forged with Black star center cap</p> |
|  | <p>RQA Wheels, 20" (50.8 cm) Silver-painted aluminum</p> |
|  | <p>WR1 Wheels, 20" (50.8 cm) 5-split spoke polished forged with Black star center cap</p> |
|  | <p>5K9 Wheels, 20" (50.8 cm) Caliente</p> |



57V

Wheels, 20" x 8.5" (50.8 cm x 21.6 cm) front and 20" x 9.5" (50.8 cm x 24.1 cm) rear Caliente

| Option Code | Description |
|-------------|------------------------------------------------------------------------------------------------------------------------------------------------|
| 2F5 | Knee pads, Red |
| 3DL | Interior trim, carbon fiber instrument panel molding |
| 3F9 | Seat belt color, Red |
| 56H | LPO, SS 20" (50.8 cm) 5-spoke gloss Black wheels with Red stripe |
| 56M | LPO, SS 20" (50.8 cm) 5-split spoke machined-face wheels |
| 56R | Wheels, 20" x 8.5" (50.8 cm x 21.6 cm) front and 20" x 9.5" (50.8 cm x 24.1 cm) rear 5-split spoke premium Gray-painted machined-face aluminum |
| 56S | Wheels, 20" x 8.5" (50.8 cm x 21.6 cm) front and 20" x 9.5" (50.8 cm x 24.1 cm) rear bright 5-spoke Silver-painted aluminum |
| 56V | Wheels, 20" x 8.5" (50.8 cm x 21.6 cm) front and 20" x 9.5" (50.8 cm x 24.1 cm) rear 5-spoke Carbon Flash painted aluminum |
| 56W | Wheels, 20" x 8.5" (50.8 cm x 21.6 cm) front and 20" x 9.5" (50.8 cm x 24.1 cm) rear 5-split spoke bright Silver-painted aluminum |
| 56Z | Wheels, 20" x 8.5" (50.8 cm x 21.6 cm) front and 20" x 9.5" (50.8 cm x 24.1 cm) rear low gloss Black-painted forged aluminum |
| 57S | LPO, SS 20" (50.8 cm) 5-split spoke Satin Black wheels |
| 57V | Wheels, 20" x 8.5" (50.8 cm x 21.6 cm) front and 20" x 9.5" (50.8 cm x 24.1 cm) rear Caliente |
| 57W | Wheels, 20" x 8.5" (50.8 cm x 21.6 cm) front and 20" x 9.5" (50.8 cm x 24.1 cm) rear 5-split spoke polished forged with Black star center cap |
| 58E | Wheels, 20" x 8.5" (50.8 cm x 21.6 cm) front and 20" x 9.5" (50.8 cm x 24.1 cm) rear Black-painted aluminum with Red accents |
| 5JX | LPO, LT 20" (50.8 cm) 5-split spoke Satin Black wheels |
| 5K9 | Wheels, 20" (50.8 cm) Caliente |
| 5KP | LPO, Illuminated sill plates |
| 5LQ | LPO, 6 Piston Front Brake Kit |
| 5V5 | LPO, Body-color high-wing spoiler |
| 5V6 | LPO, Black Interior Appearance Package |
| 5VM | LPO, Ground Effects Package |
| 5WF | LPO, Battery Protection Package |
| 5YN | LPO, Carbon Fiber-look shift knob (auto) or Carbon Fiber-look shift knob medallion (manual) |
| 5ZB | LPO, Camaro logo wheel center caps |
| 5ZD | LPO, Wheel center caps |
| 5ZU | LPO, Body-color blade spoiler |
| 5ZV | LPO, Satin Black blade spoiler |
| 5ZW | LPO, Satin Black wing spoiler |
| 5ZZ | LPO, Carbon Flash Metallic blade spoiler |
| 62O | LPO, Clear CHMSL (Center High Mount Stop Lamp) |
| 6ZQ | LPO, ZL1 1LE SPEC visible carbon fiber spoiler |
| A1X | 1LE Track Performance Package |
| A1Y | SS 1LE Track Performance Package |
| A1Z | ZL1 1LE Extreme Track Performance Package |
| A45 | Memory Package |
| A50 | Seats, front Sport bucket |
| A62 | Seat, rear fixed |
| A9B | Satin Black Appearance Package |
| AAQ | Seat adjuster, front passenger |
| AJ9 | Airbags, dual-stage frontal, knee, head and thorax side-impact, driver and front passenger |
| AKQ | Seat adjuster, front passenger, 6-way power |
| AM7 | Seat, rear, folding |
| AQJ | Seats, front bucket, RECARO performance |
| ATH | Keyless Open and Start |
| AV3 | Seat adjuster, driver, 8-way power |

| Option Code | Description |
|-------------|--------------------------------------------------------------------------------------------------------------------|
| AYG | Airbags, dual-stage frontal, thorax side-impact and knee, driver and front passenger, and head curtain side-impact |
| B34 | Floor mats, carpeted front |
| B7G | Sill plates, illuminated |
| B9M | Tail lamps, dark tint |
| BO3 | White Pearl Rally Stripes |
| BO4 | Black Metallic Rally Stripes |
| BRD | Ceramic White Interior Package |
| BRJ | Adrenaline Red Interior Package |
| BTV | Remote vehicle starter system |
| C2U | Silver Rally Stripes |
| C3O | Black Rally Stripes |
| C68 | Air conditioning, single-zone automatic climate control |
| C70 | Lighting, interior spectrum |
| CF5 | Sunroof, power |
| CFW | Hood insert, visible Carbon Fiber weave |
| CG3 | Emblem, Camaro fender badge |
| CG6 | Emblem, Black Camaro fender badge with Red outline |
| CJ2 | Air conditioning, dual-zone automatic climate control |
| CM8 | Convertible top, power-folding |
| D31 | Mirror, inside rearview manual day/night |
| D52 | Spoiler, rear |
| D5S | Spoiler, rear, blade, Satin Black |
| D5Z | Spoiler, rear, stanchion |
| D80 | Spoiler, decklid-mounted lip spoiler |
| D88 | 1LE Hash Mark Decal |
| DD1 | Mirrors, outside heated power-adjustable and driver-side auto-dimming, body-color |
| DD8 | Mirror, inside rearview auto-dimming |
| DG7 | Mirrors, outside power-adjustable, body-color |
| DRZ | Rear Camera Mirror |
| DSM | Hood wrap, Satin Black |
| DUU | Black Center Stripe |
| DUV | Silver Center Stripe |
| DVV | Black Metallic Center Stripe |
| DW7 | White Pearl Center Stripe |
| DW8 | Black Metallic Center Stripe |
| F55 | Magnetic Ride Control |
| FE2 | Suspension, Sport |
| FE3 | Suspension, Performance |
| FE4 | Suspension, Performance |
| FE9 | Emissions, Federal requirements |
| FEA | Suspension, Performance |
| FTF | Front splitter |
| FTJ | Front splitter |
| G80 | Differential, limited slip |
| G96 | Differential, electronic limited-slip |
| GT4 | Rear axle, 3.73 ratio |
| GW6 | Rear axle, 3.27 ratio |
| HRD | Rear axle, 2.85 ratio |
| HRE | Rear axle, 2.77 ratio |
| IOR | Audio system, Chevrolet Infotainment 3 system, 7" diagonal color touchscreen |
| IOS | Audio system, Chevrolet Infotainment 3 Plus system, 8" diagonal HD color touchscreen |

| Option Code | Description |
|-------------|-----------------------------------------------------------------------------------------------------------------------------------------------------------------------|
| IOT | Audio system, Chevrolet Infotainment 3 Premium system with connected Navigation, 8" diagonal HD color touchscreen |
| J55 | Brakes, Brembo 4-piston front, performance, 4-wheel antilock, 4-wheel disc |
| J6F | Calipers, Red |
| J6G | Brakes, Brembo 4-piston front and rear, performance, 4-wheel antilock, 4-wheel disc |
| J6H | Brakes, Brembo 6-piston front and 4-piston rear, performance |
| J6L | Calipers, Orange |
| J6M | Brakes, Brembo Red, 6-piston front monobloc calipers, 4-piston rear calipers, 2-piece rotors, performance |
| JF5 | Pedals, sport alloy |
| JL9 | Brakes, 4-wheel antilock, 4-wheel disc |
| K05 | Engine block heater |
| K4C | Wireless Charging |
| KA1 | Seats, heated driver and front passenger |
| KB7 | Paddle-shift manual controls |
| KC4 | Cooling, external engine oil cooler |
| KD1 | Cooler, transmission oil |
| KNR | Cooler, rear differential |
| KQV | Seats, ventilated driver and front passenger |
| KS9 | Shift knob, sueded microfiber-wrapped |
| KTI | Tire inflation kit |
| LGX | Engine, 3.6L V6, DI, VVT |
| LT1 | Engine, 6.2L (376 ci) V8 DI |
| LT4 | Engine, 6.2L supercharged V8 |
| LTG | Engine, 2.0L Turbo, 4-cylinder, SIDI, VVT |
| MN6 | Transmission, 6-speed manual |
| MX0 | Transmission, 8-speed automatic |
| MX0 | Transmission, 10-speed automatic |
| N10 | Exhaust, dual-outlet stainless-steel |
| N26 | Steering wheel, 3-spoke, sueded microfiber-wrapped, flat-bottom |
| NB8 | Emissions override, California |
| NB9 | Emissions override, state-specific |
| NC7 | Emissions override, Federal |
| NE1 | Emissions, Connecticut, Delaware, Maine, Maryland, Massachusetts, New Jersey, New York, Oregon, Pennsylvania, Rhode Island, Vermont and Washington state requirements |
| NP5 | Steering wheel, leather-wrapped |
| NPP | Exhaust, dual-mode |
| NV9 | Steering, power |
| P0J | OnStar Additional 21 months of OnStar Fleet Safety and Security |
| P0K | OnStar Additional 33 months of OnStar Fleet Safety and Security |
| P0L | OnStar Additional 45 months of OnStar Fleet Safety and Security |
| P0M | OnStar Additional 21 months of OnStar Fleet Remote Access |
| P0N | OnStar Additional 33 months of OnStar Fleet Remote Access |
| P0O | OnStar Additional 45 months of OnStar Fleet Remote Access |
| P0V | OnStar Vehicle Insights - 1 year of Service. |
| P0W | OnStar Vehicle Insights - 2 years of Service. |
| P0X | OnStar Vehicle Insights - 3 years of Service. |
| P0Y | OnStar Vehicle Insights - 4 years of Service. |
| P0Z | OnStar Vehicle Insights - 5 years of Service. |
| P1R | OnStar Additional 9 months of OnStar Fleet Essentials for Tier3 Fleets |
| P1S | OnStar Additional 21 months of OnStar Fleet Essentials for Tier3 Fleets |
| P1T | OnStar Additional 33 months of OnStar Fleet Essentials for Tier3 Fleets |
| P1U | OnStar Additional 45 months of OnStar Fleet Essentials for Tier3 Fleets |

| Option Code | Description |
|-------------|---------------------------------------------------------------------------------------------------------------------------------|
| P3H | Bowties, Black, front and rear |
| PCJ | LPO, Dark Tint Rear Lighting Package |
| PCL | LPO, Black Wheel Lug Nuts and Locks Package |
| PCN | LPO, Winter/Summer Floor Mats Package |
| PCU | LPO, 4-Corner Brembo brake upgrade system in Red |
| PCX | LPO, Camaro Logo Package |
| PDL | Wild Cherry Design Package 1 |
| PDN | Wild Cherry Design Package 2 |
| PDX | LPO, ZL1 Protection Package |
| PDY | LPO, Body-Color Spoiler with Wicker Package |
| PKJ | Wheels, 19" x 11" (48.3 cm x 27.9 cm) front and 19" x 12" (48.3 cm x 30.48 cm) rear low gloss Black-painted forged aluminum |
| PPW | Wireless Apple CarPlay/Wireless Android Auto |
| R0F | Tires, 245/40ZR20 front and 275/35ZR20 rear, blackwall, summer-only |
| R0G | Tires, 285/30R20 front and 305/30R20 rear, blackwall, summer-only |
| R0H | Tires, 245/50R18, blackwall, all-season |
| R29 | Tires, 245/40R20, blackwall, all-season |
| R6O | Tires, 305/30R19 front and 325/30R19 rear, blackwall, summer-only |
| R88 | LPO, Front illuminated and rear non-illuminated bowtie emblems in Black |
| REG | Wheels, 18" (45.7 cm) Silver-painted aluminum |
| RIK | LPO, Black front and rear bowtie emblems |
| RIN | LPO, Camaro logo fender badge |
| RMH | LPO, Front splitter, Carbon Flash Metallic |
| RNX | LPO, Outdoor vehicle cover |
| RO1 | LPO, Black lower grille with Silver-painted inserts |
| RO2 | LPO, Black lower grille with Gloss Black inserts |
| RQ9 | Wheels, 20" (50.8 cm) 5-split spoke premium Gray-painted, machined-face aluminum |
| RQA | Wheels, 20" (50.8 cm) Silver-painted aluminum |
| RSK | Wheels, 20" x 10" (50.8 cm x 25.4 cm) front and 20" x 11" (50.8 cm x 27.9 cm) rear Satin Graphite forged aluminum |
| RTH | Wheels, 20" (50.8 cm) 5-spoke Carbon Flash painted aluminum |
| RTJ | Wheels, 20" (50.8 cm) 5-spilt spoke bright Silver-painted aluminum |
| RTQ | Wheels, 20" x 10" (50.8 cm x 25.4 cm) front and 20" x 11" (50.8 cm x 27.9 cm) rear Dark Graphite premium paint, forged aluminum |
| RVK | LPO, Performance air intake |
| RWH | LPO, Indoor vehicle cover |
| RWH | LPO, Indoor vehicle cover |
| RWJ | LPO, Outdoor vehicle cover |
| RX0 | LPO, 4 Piston Brembo rear calipers in Red |
| RXH | LPO, Silver RS wheel center caps |
| RXJ | LPO, Silver SS wheel center caps |
| RY2 | LPO, Black Metallic Hash Mark Stripes |
| RZ3 | LPO, Front splitter |
| RZB | LPO, Black lower grille with Red Hot inserts |
| S0O | LPO, Illuminated footwells |
| S0U | LPO, Black sueded knee pads |
| S0V | LPO, White knee pads |
| SA7 | LPO, Suede shift knob and boot kit |
| SB2 | LPO, Carbon Flash Metallic wing spoiler |
| SB3 | LPO, ZL1 SPEC rear spoiler, body-color |
| SB7 | LPO, Red Spider Stripes |
| SB9 | LPO, Black Spider Stripes |
| SC1 | LPO, Sway bar suspension upgrade system |

| Option Code | Description |
|-------------|-----------------------------------------------------------------------|
| SCG | LPO, 6.2L Strut tower brace in Black |
| SCJ | LPO, Suspension Handling Package, 1LE Track Pack - V8 |
| SCY | LPO, Dark finish tail lamps |
| SF8 | LPO, Silver Body-Side Spear Stripes |
| SF9 | LPO, Blue Hash Mark Stripes |
| SFA | LPO, Red Stinger Stripe |
| SFC | LPO, White Pearl Hash Mark Stripes |
| SFE | LPO, Wheel locks |
| SFZ | LPO, Camaro fender badge, Black |
| SG3 | LPO, Lowering suspension upgrade system |
| SGE | Wheels, 18" (45.7 cm) 5-split spoke Silver-painted aluminum |
| SH1 | LPO, Embroidered center console lid with Camaro badge |
| SH2 | LPO, Embroidered center console lid |
| SHL | LPO, 20" (50.8 cm) 5-spoke gloss Black wheels with Red outline stripe |
| SHQ | LPO, Silver Hash Mark Stripes |
| SHS | LPO, Satin Black Hood Stripe with Silver Ice Metallic Hash Mark |
| SHU | LPO, Satin Black Hood Stripe with Red Hot Hash Mark |
| SIA | LPO, Wicker bill |
| SKW | LPO, 20" (50.8 cm) 5-split spoke machined-face wheels |
| SL1 | LPO, Indoor vehicle cover |
| SL2 | LPO, Front fascia extension, Satin Black, second generation |
| SLN | LPO, Strut tower brace |
| SNB | LPO, Silver Spider Stripes |
| SNC | LPO, White Pearl Spider Stripes |
| SNE | LPO, Silver Stinger Stripe |
| SNG | LPO, Red Hash Mark Stripes |
| SNH | LPO, White Pearl Body-Side Spear Stripes |
| SNJ | LPO, Black Metallic Stinger Stripe |
| SNM | LPO, White Pearl Stinger Stripe |
| SNP | LPO, Red Body-Side Spear Stripes |
| SNQ | LPO, Gray Body-Side Spear Stripes |
| SNS | LPO, Blue Body-Side Spear Stripes |
| SPY | LPO, Black lug nuts |
| SPZ | LPO, Black wheel locks |
| SRI | Wheels, 20" (50.8 cm) Black-painted aluminum with Red accents |
| STI | LPO, Satin Black rocker moldings |
| T42 | Spoiler, rear, visible weave carbon fiber |
| TDM | Teen Driver |
| U2K | SiriusXM Radio |
| U77 | Antenna, integral rear window |
| UB3 | Antenna, AM/FM |
| UD7 | Rear Park Assist |
| UDD | Driver Information Center, color display |
| UE1 | OnStar and Chevrolet connected services capable |
| UEU | Forward Collision Alert |
| UFG | Rear Cross Traffic Alert |
| UHS | Driver Information Center |
| UKC | Lane Change Alert |
| UMN | Speedometer, miles/kilometers |
| UPG | Bluetooth for phone |
| UQ3 | Audio system feature, 6-speaker system |
| UQA | Audio system feature, Bose premium 7-speaker system |

| Option Code | Description |
|-------------|--------------------------------------------------------------------------------|
| UQA | Audio system feature, Bose premium 9-speaker system |
| UQT | Performance data and video recorder |
| UV6 | Head-Up Display |
| UVB | HD Rear Vision Camera |
| UVD | Steering wheel, heated |
| V03 | Cooling system, extra capacity |
| V18 | Cooler, engine coolant |
| VAV | LPO, All-weather floor mats |
| VDN | LPO, Indoor vehicle cover |
| VEB | LPO, Sport pedals kit |
| VGS | LPO, Outdoor vehicle cover, Gray, ZL1 logo |
| VK3 | License plate bracket, front |
| VLI | LPO, All-weather cargo mat |
| VLN | LPO, Windscreen |
| VPO | LPO, Gray Hash Mark Stripes |
| VPW | LPO, Black Metallic Body-Side Spear Stripes |
| VQG | LPO, Weather Protection Package |
| VQG | LPO, Weather Protection Package |
| VQL | LPO, Fuel filler door in Black with visible carbon fiber insert |
| VRU | LPO, Outdoor vehicle cover, Gray |
| VRV | LPO, Body-color painted splash guards |
| VTD | LPO, Ground effects, Carbon Flash Metallic |
| VTF | LPO, Embroidered center console lid |
| VTG | LPO, White Interior Trim Kit |
| VTU | LPO, Fuel filler door in Black with Gloss Black insert |
| VUP | LPO, Redline Edition graphics |
| VV4 | 4G LTE Wi-Fi Hotspot capable |
| VW9 | LPO, Black SS wheel center caps |
| VWD | LPO, Gloss Black wheel center caps with Silver bowtie |
| VY7 | Shift knob, leather-wrapped |
| VYW | LPO, Floor mats, premium carpeted |
| W0D | LPO, Fuel filler door in Black with Red Hot insert |
| W0E | LPO, Fuel filler door in Black with Silver Ice Metallic insert |
| W1V | LPO, Floor mats, premium carpeted |
| W2D | LPO, Cargo net |
| WBL | Redline Edition |
| WGK | LPO, Red Interior Trim Kit |
| WGL | LPO, Kalahari knee pads |
| WGT | LPO, Black Interior Trim Kit |
| WHA | LPO, Red knee pads |
| WR1 | Wheels, 20" (50.8 cm) 5-split spoke polished forged with Black star center cap |
| WRS | RS Package |
| WRS | RS Package |
| XLC | Launch control, custom |
| Y3W | Technology Package |
| Y4Q | Heavy-Duty Cooling and Brake Package |
| YF5 | Emissions, California state requirements |

Updates for Camaro

Week of 5/4/2020

Effective 5/4/2020, the following changes will be made to the Vehicle Order Guide:

- Coupe Exterior section-(PDL) Wild Cherry Package Design 1 Package, updated extended description to now read "includes (RY2) Black Metallic Hash Mark Stripes, LPO (5ZB) Camaro logo wheel center caps, LPO, (WR1/57W) 20" 5-split spoke polished forged wheels with Black star center cap and (VYW) premium carpeted floor mats with Camaro logo, LPO". Also updated footnote 1 to now read "Also includes (CG3) Camaro fender badge emblem. Requires exterior color (GSK) Wild Cherry Tintcoat and (WRS) RS Package. Wheel RPO is WR1." Also updated footnote 2 to now read "Requires exterior color (GSK) Wild Cherry Tintcoat and (WRS) RS Package. Wheel RPO is WR1." Also updated footnote 3 to now read "Also includes (CG3) Camaro fender badge emblem. Requires exterior color (GSK) Wild Cherry Tintcoat. Wheel RPO is 57W."
- Coupe Exterior section-(PDN) Wild Cherry Package Design 2 Package, updated extended description to now read "includes (PDL) Wild Cherry Design Package 1, (S0U) Black sueded knee pads, LPO, (VQL) Fuel filler door in Black with visible carbon fiber insert, LPO, (VTD) Carbon Flash Metallic, second generation Ground Effects, LPO and (DUU/DUV/DW8) Center Stripe". Also updated footnote 1 to now read "Requires exterior color (GSK) Wild Cherry Tintcoat and the selection of either (DUU) Black Center Stripe or (DUV) Silver Center Stripe." Also updated footnote 2 to now read "Requires exterior color (GSK) Wild Cherry Tintcoat and the selection of either (DW8) Black Metallic Center Stripe or (DUV) Silver Center Stripe."
- Coupe Exterior section-(RXH) LPO, Silver RS wheel center caps, updated footnote 1 to now read "Requires (WRS) RS Package. Not available with RTH, SHL."
- Coupe Exterior section-(5ZB) LPO, Camaro logo wheel center caps, updated footnote 1 to now read "Not available with RTH, SHL." Also updated footnote 3 to now read "Not available with (56H) SS 20" (50.8 cm) 5-spoke gloss Black wheels with Red stripe, LPO." Also updated footnote 4 to now read "Not available with 56H, 56V."
- Coupe Exterior section-(5ZD) LPO, Wheel center caps, Performance, updated footnote 1 to now read "Not available with SHL, SKW." Also updated footnote 2 to now read "Not available with 56H, 56M."
- Coupe Exterior section-Deleted (5JW) LPO, 20" (50.8 cm) 5-split spoke polished forged wheels with Black star center cap.
- Coupe Exterior section-Deleted (56K) LPO, SS 20" (50.8 cm) 5-split spoke polished forged wheels with Black star center cap.
- Convertible Exterior section-(PDL) Wild Cherry Package Design 1 Package, updated extended description to now read "includes (RY2) Black Metallic Hash Mark Stripes, LPO (5ZB) Camaro logo wheel center caps, LPO, (WR1/57W) 20" 5-split spoke polished forged wheels with Black star center cap and (VYW) premium carpeted floor mats with Camaro logo, LPO". Also updated footnote 1 to now read "Also includes (CG3) Camaro fender badge emblem. Requires exterior color (GSK) Wild Cherry Tintcoat and (WRS) RS Package. Wheel RPO is WR1." Also updated footnote 2 to now read "Requires exterior color (GSK) Wild Cherry Tintcoat and (WRS) RS Package. Wheel RPO is WR1." Also updated footnote 3 to now read "Also includes (CG3) Camaro fender badge emblem. Requires exterior color (GSK) Wild Cherry Tintcoat. Wheel RPO is 57W."

Week of 5/4/2020

Effective 5/4/2020, the following changes will be made to the Vehicle Order Guide:

- Convertible Exterior section-(PDN) Wild Cherry Package Design 2 Package, updated extended description to now read "includes (PDL) Wild Cherry Design Package 1, (S0U) Black sueded knee pads, LPO, (VQL) Fuel filler door in Black with visible carbon fiber insert, LPO, (VTD) Carbon Flash Metallic, second generation Ground Effects, LPO and (DUU/DUV/DW8) Center Stripe". Also updated footnote 1 to now read "Requires exterior color (GSK) Wild Cherry Tintcoat and the selection of either (DUU) Black Center Stripe or (DUV) Silver Center Stripe." Also updated footnote 2 to now read "Requires exterior color (GSK) Wild Cherry Tintcoat and the selection of either (DW8) Black Metallic Center Stripe or (DUV) Silver Center Stripe."
- Convertible Exterior section-(RXH) LPO, Silver RS wheel center caps, updated footnote 1 to now read "Requires (WRS) RS Package. Not available with RTH, SHL."
- Convertible Exterior section-(5ZB) LPO, Camaro logo wheel center caps, updated footnote 1 to now read "Not available with RTH, SHL." Also updated footnote 3 to now read "Not available with (56H) SS 20" (50.8 cm) 5-spoke gloss Black wheels with Red stripe, LPO." Also updated footnote 4 to now read "Not available with 56H, 56V."
- Convertible Exterior section-(5ZD) LPO, Wheel center caps, Performance, updated footnote 1 to now read "Not available with SHL, SKW." Also updated footnote 2 to now read "Not available with 56H, 56M."
- Convertible Exterior section-Deleted (5JW) LPO, 20" (50.8 cm) 5-split spoke polished forged wheels with Black star center cap.
- Convertible Exterior section-Deleted (56K) LPO, SS 20" (50.8 cm) 5-split spoke polished forged wheels with Black star center cap.
- Coupe Mechanical section-(A1X) 1LE Track Performance Package, updated the portion of footnote 1 that reads "Not available with the following LPOs" by deleting "5JW".

Week of 4/27/2020

Effective 4/27/2020, the following changes will be made to the Vehicle Order Guide:

- Coupe Interior section-(UV6) Head Up Display, updated extended description to now read "with color digital readouts for vehicle speed, selected gear, G-Force, audio system information, high-beam indicator, compass, outside air temperature, tachometer, vehicle messages, Turn-by-Turn information and phone information".
- Convertible Interior section-(UV6) Head Up Display, updated extended description to now read "with color digital readouts for vehicle speed, selected gear, G-Force, audio system information, high-beam indicator, compass, outside air temperature, tachometer, vehicle messages, Turn-by-Turn information and phone information".
- Coupe Exterior section-(PDL) Wild Cherry Package Design 1 Package, changed Package name to "Wild Cherry Design Package 1".
- Coupe Exterior section-(PDN) Wild Cherry Package Design 2 Package, changed Package name to "Wild Cherry Design Package 2". Also updated extended description to now read " includes (PDL) Wild Cherry Design Package 1, (S0U) Black sueded knee pads, LPO, (VQL) Fuel filler door in Black with visible carbon fiber insert, LPO and (VTD) Carbon Flash Metallic, second generation Ground Effects, LPO".
- Coupe Exterior section-(RZ3) LPO, Front fascia extension, changed description to "LPO, Front splitter".

- Convertible Exterior section-(PDL) Wild Cherry Package Design 1 Package, changed Package name to "Wild Cherry Design Package 1".
- Convertible Exterior section-(PDN) Wild Cherry Package Design 2 Package, changed Package name to "Wild Cherry Design Package 2". Also updated extended description to now read " includes (PDL) Wild Cherry Design Package 1, (S0U) Black sueded knee pads, LPO, (VQL) Fuel filler door in Black with visible carbon fiber insert, LPO and (VTD) Carbon Flash Metallic, second generation Ground Effects, LPO".
- Convertible Exterior section-(RZ3) LPO, Front fascia extension, changed description to "LPO, Front splitter".

Week of 4/20/2020

Effective 4/20/2020, the following changes will be made to the Vehicle Order Guide:

- Coupe Exterior section-Added (PDL) Wild Cherry Package Design 1 Package, includes (RY2) Black Metallic Hash Mark Stripes, LPO (5ZB) Camaro logo wheel center caps, LPO and (VYW) premium carpeted floor mats with Camaro logo, LPO. It is "A1" on 1LT, 2LT and 3LT with a footnote 1 that reads "Also includes (CG3) Camaro fender badge emblem. Requires exterior color (GSK) Wild Cherry Tintcoat, (WR1) 20" 5-split spoke polished forged wheels with Black star center cap and (WRS) RS Package." Also it is "A2" on 1LZ with a footnote 2 that reads "Requires exterior color (GSK) Wild Cherry Tintcoat, (WR1) 20" 5-split spoke polished forged wheels with Black star center cap and (WRS) RS Package." Also it is "A3" on 1SS and 2SS with a footnote 3 that reads "Also includes (CG3) Camaro fender badge emblem. Requires exterior color (GSK) Wild Cherry Tintcoat and (57W) 20" 5-split spoke polished forged wheels with Black star center cap."
- Coupe Exterior section-Added (PDN) Wild Cherry Package Design 2 Package, includes (PDL) Wild Cherry Package Design 1 Package, (S0U) Black sueded knee pads, LPO, (VQL) Fuel filler door in Black with visible carbon fiber insert, LPO and (VTD) Carbon Flash Metallic, second generation Ground Effects, LPO. It is "A1" on 2LT and 3LT with a footnote 1 that reads "Requires exterior color (GSK) Wild Cherry Tintcoat and (DUU) Black Center Stripe or (DUV) Silver Center Stripe." Also it is "A2" on 2SS with a footnote 2 that reads "Requires exterior color (GSK) Wild Cherry Tintcoat and (DW8) Black Metallic Center Stripe or (DUV) Silver Center Stripe."
- Convertible Exterior section-Added (PDL) Wild Cherry Package Design 1 Package, includes (RY2) Black Metallic Hash Mark Stripes, LPO (5ZB) Camaro logo wheel center caps, LPO and (VYW) premium carpeted floor mats with Camaro logo, LPO. It is "A1" on 1LT, 2LT and 3LT with a footnote 1 that reads "Also includes (CG3) Camaro fender badge emblem. Requires exterior color (GSK) Wild Cherry Tintcoat, (WR1) 20" 5-split spoke polished forged wheels with Black star center cap and (WRS) RS Package." Also it is "A2" on 1LZ with a footnote 2 that reads "Requires exterior color (GSK) Wild Cherry Tintcoat, (WR1) 20" 5-split spoke polished forged wheels with Black star center cap and (WRS) RS Package." Also it is "A3" on 1SS and 2SS with a footnote 3 that reads "Also includes (CG3) Camaro fender badge emblem. Requires exterior color (GSK) Wild Cherry Tintcoat and (57W) 20" 5-split spoke polished forged wheels with Black star center cap."
- Convertible Exterior section-Added (PDN) Wild Cherry Package Design 2 Package, includes (PDL) Wild Cherry Package Design 1 Package, (S0U) Black sueded knee pads, LPO, (VQL) Fuel filler door in Black with visible carbon fiber insert, LPO and (VTD) Carbon Flash Metallic, second generation Ground Effects, LPO. It is "A1" on 2LT and 3LT with a footnote 1 that reads "Requires exterior color (GSK) Wild Cherry Tintcoat and (DUU) Black Center Stripe or (DUV) Silver Center Stripe." Also it is "A2" on 2SS with a footnote 2 that reads

"Requires exterior color (GSK) Wild Cherry Tintcoat and (DW8) Black Metallic Center Stripe or (DUV) Silver Center Stripe."

- Coupe Mechanical section-(A1X) 1LE Track Performance Package, updated this portion of footnote 1 "Not available with A9B, B9M, P3H, WRS;" to now read "Not available with A9B, B9M, P3H, PDL, PDN, WRS;".
- Coupe Mechanical section-(A1Y) SS 1LE Track Performance Package, updated this portion of footnote 1 "Not available with A9B, J6F, J6L; " to now read "Not available with A9B, J6F, J6L, PDL;". Also updated this portion of footnote 2 "Not available with A9B, J6F, J6L;" to now read "Not available with A9B, J6F, J6L, PDL, PDN;".

Week of 4/6/2020

Effective 4/6/2020, the following changes will be made to the Vehicle Order Guide:

- Coupe Interior section-(VQG) LPO, Weather Protection Package, applied existing footnote 1 to 1LS.
- Coupe Exterior section-(WBL) Redline Edition, updated footnote 1 to now read "Requires (WRS) RS Package, (H1T/H0Y) Jet Black interior and exterior color (G9K) Satin Steel Metallic, (GAZ) Summit White or (GBA) Black. Not available with P3H, RO1, RO2, RZB."
- Convertible Exterior section-(WBL) Redline Edition, updated footnote 1 to now read "Requires (WRS) RS Package, (19T) Black convertible top, (H1T/H0Y) Jet Black interior and exterior color (G9K) Satin Steel Metallic, (GAZ) Summit White or (GBA) Black. Not available with P3H, RO1, RO2, RZB." Also updated footnote 2 to now read "Requires (19T) Black convertible top, (H1T/H0Y) Jet Black interior and exterior color (G9K) Satin Steel Metallic, (GAZ) Summit White or (GBA) Black."
- Coupe Mechanical section-(A1X) 1LE Track Performance Package, updated footnote 1 by adding "PCX" to the "Not available with the following LPOs" portion of the footnote.
- Coupe Mechanical section-(A1Y) SS 1LE Track Performance Package, updated footnote 1 to now read "Also includes (UV6) Head-Up Display. Requires (H1T) Jet Black interior. Not available with A9B, J6F, J6L; any other wheels; the following Stripes: BO3, BO4, C2U, DUV, DW7, DW8; and the following LPOs: 5LQ, 5V5, 5VM, 5ZB, 5ZD, 5ZU, 5ZV, 5ZW, 5ZZ, PCX, RMH, RXJ, RY2, RZ3, S0V, SA7, SB2, SB3, SB7, SB9, SC1, SCJ, SF8, SF9, SFA, SFC, SFZ, SG3, SHQ, SL2, SNB, SNC, SNE, SNG, SNH, SNJ, SNM, SNP, SNQ, SNS, VPO, VPW, VTD, WGL." Also updated footnote 2 to now read "Requires (H0Y) Jet Black interior. Not available with A9B, J6F, J6L; any other wheels; the following Stripes: BO3, BO4, C2U, DUV, DW7, DW8; and the following LPOs: 5LQ, 5V5, 5VM, 5ZB, 5ZD, 5ZU, 5ZV, 5ZW, 5ZZ, PCX, RMH, RXJ, RY2, RZ3, S0V, SA7, SB2, SB3, SB7, SB9, SC1, SCJ, SF8, SF9, SFA, SFC, SFZ, SG3, SHQ, SL2, SNB, SNC, SNE, SNG, SNH, SNJ, SNM, SNP, SNQ, SNS, VPO, VPW, VTD, WGL."