



View offers > Coupé
> Cabriolet



Book a test drive > Coupé
> Cabriolet
> AMG



> Find a Retailer



> View the Range Guide

C-Class

Coupé and Cabriolet



Effective from September 2018 Production.

Mercedes-Benz





View offers > Coupé
> Cabriolet



Book a test drive > Coupé
> Cabriolet
> AMG



> Find a Retailer



> View the Range Guide

Contents

Model prices	9	Standard equipment	33	Road Fund Licence	71
Finance offers	13	Wheels	39	Services and insurance	72
AMG Line	21	Driving Assistance package	42	Mercedes me	73
Mercedes-AMG models	23	Optional equipment	43	Mercedes-Benz Finance	75
Premium and Premium Plus equipment lines	29	Genuine Accessories	49		
Pricing summary for model and equipment lines	31	Colours and materials	53		
		Technical data	57		



View offers

- > Coupé
- > Cabriolet



Book a
test drive

- > Coupé
- > Cabriolet
- > AMG



> Find a Retailer



> View the Range Guide

The hard facts to melt your heart

At Mercedes-Benz we appreciate the importance of detail. Over the following pages you'll find model prices and a breakdown of standard and optional equipment, as well as details of the comprehensive services and benefits that are available to every Mercedes-Benz driver.

See Mercedes-Benz in a new light. Now is the time to get yourself behind the wheel of a C-Class. Choose from a number of attractive finance offers. Please see pages 13-20 for further details, or visit www.mercedes-benz.co.uk/offers

Of course, some things have to be experienced to be truly appreciated, such as the qualities that set a Mercedes-Benz apart. Which is why we'd like to invite you for a test drive at your local Mercedes-Benz Retailer. Alternatively, you can make arrangements by visiting www.mercedes-benz.co.uk/testdrive

For more information visit www.mercedes-benz.co.uk or call 0333 222 0500.



View offers > Coupé
> Cabriolet



Book a test drive > Coupé
> Cabriolet
> AMG



> Find a Retailer



> View the Range Guide





View offers > Coupé
> Cabriolet



Book a test drive > Coupé
> Cabriolet
> AMG



> Find a Retailer



> View the Range Guide



Some of the model features, optional extras and colours shown may not be available, or may only be available in a different specification.



View offers > Coupé
> Cabriolet



Book a test drive > Coupé
> Cabriolet
> AMG



> Find a Retailer



> View the Range Guide



Some of the model features, optional extras and colours shown may not be available, or may only be available in a different specification.



View offers
➤ Coupé
➤ Cabriolet



Book a
test drive
➤ Coupé
➤ Cabriolet
➤ AMG



➤ Find a Retailer



➤ View the Range Guide



Some of the model features, optional extras and colours shown may not be available, or may only be available in a different specification.



View offers > Coupé
> Cabriolet



Book a test drive > Coupé
> Cabriolet
> AMG



> Find a Retailer



> View the Range Guide





View offers > Coupé
> Cabriolet



Book a test drive > Coupé
> Cabriolet
> AMG



> Find a Retailer



> View the Range Guide

Model prices – Coupé

Engine	Model line	Transmission	CO ₂ ¹	Basic RRP excl. VAT (£)	Total RRP incl. VAT (£)	Road Fund Licence (£) ²	Rec. OTR price (£) ³	P11D value (£)	BiK tax rate 2018/19 (%)
C220 d Diesel – 1,950 cc, 4-cylinder, 194 hp/143 kW	AMG Line	9G-TRONIC PLUS 9-speed automatic	121	32,675.00	39,210.00	205.00	40,130.00	39,870.00	29
C220 d 4MATIC Diesel – 1,950 cc, 4-cylinder, 194 hp/143 kW	AMG Line	9G-TRONIC PLUS 9-speed automatic	129	34,008.33	40,810.00	205.00	41,730.00	41,470.00	30
C300 d Diesel – 1,950 cc, 4-cylinder, 245 hp/180 kW	AMG Line	9G-TRONIC PLUS 9-speed automatic	129	33,554.17	40,265.00	205.00	41,185.00	40,925.00	30
C300 d 4MATIC Diesel – 1,950 cc, 4-cylinder, 245 hp/180 kW	AMG Line	9G-TRONIC PLUS 9-speed automatic	137	34,887.50	41,865.00	515.00	43,095.00	42,525.00	32
C 180 Petrol – 1,595 cc, 4-cylinder, 156 hp/115 kW	AMG Line	6-speed manual	134	28,366.67	34,040.00	205.00	34,960.00	34,700.00	27
		9G-TRONIC PLUS 9-speed automatic	145	29,700.00	35,640.00	205.00	36,560.00	36,300.00	30
C200 Petrol – 1,497 cc, 4-cylinder, 184 hp/135 kW EQ Boost – 14 hp/10 kW	AMG Line	9G-TRONIC PLUS 9-speed automatic	140	30,583.33	36,700.00	205.00	37,620.00	37,360.00	29
C200 4MATIC Petrol – 1,497 cc, 4-cylinder, 184 hp/135 kW EQ Boost – 14 hp/10 kW	AMG Line	9G-TRONIC PLUS 9-speed automatic	150	31,916.67	38,300.00	205.00	39,220.00	38,960.00	31
C300 Petrol – 1,991 cc, 4-cylinder, 258 hp/190 kW	AMG Line	9G-TRONIC PLUS 9-speed automatic	147	32,883.33	39,460.00	205.00	40,380.00	40,120.00	30

¹The indicated values were determined according to the prescribed measurement method. These are the 'NEDC CO₂ values' according to Worldwide Harmonised Light Vehicle Test Procedure (WLTP). For more information on these values and how they have been calculated please see www.mercedes-benz.co.uk/WLTP

²A different first year rate of Vehicle Excise Duty (Road Fund Licence) applies for new cars. Please refer to page 71 for the relevant rate for the second and subsequent years

³The recommended on-the-road price includes the Road Fund Licence applicable to the standard model plus delivery charge (£635.00 incl. VAT), new vehicle registration fee (£55.00) and number plates (£25.00 incl. VAT). VAT is calculated at the standard rate of 20%



View offers > Coupé
> Cabriolet



Book a test drive > Coupé
> Cabriolet
> AMG



> Find a Retailer



> View the Range Guide

Model prices | Coupé

10

Engine	Model line	Transmission	CO ₂ ¹	Basic RRP excl. VAT (£)	Total RRP incl. VAT (£)	Road Fund Licence (£) ²	Rec. OTR price (£) ³	P11D value (£)	BiK tax rate 2018/19 (%)
Mercedes-AMG									
Mercedes-AMG C 43 4MATIC Petrol – 2,996 cc, 6-cylinder, 390 hp/287 kW	-	9G-TRONIC PLUS 9-speed automatic	217	41,675.00	50,010.00	1,240.00	51,965.00	50,670.00	37
Mercedes-AMG C 63 Petrol – 3,982 cc, 8-cylinder, 476 hp/350 kW	-	AMG SPEEDSHIFT MCT 9-speed auto.	230	55,203.33	66,244.00	1,760.00	68,719.00	66,904.00	37
Mercedes-AMG C 63 S Petrol – 3,982 cc, 8-cylinder, 510 hp/375 kW	-	AMG SPEEDSHIFT MCT 9-speed auto.	230	62,685.83	75,223.00	1,760.00	77,698.00	75,883.00	37

¹The indicated values were determined according to the prescribed measurement method. These are the 'NEDC CO₂ values' according to Worldwide Harmonised Light Vehicle Test Procedure (WLTP). For more information on these values and how they have been calculated please see www.mercedes-benz.co.uk/WLTP

²A different first year rate of Vehicle Excise Duty (Road Fund Licence) applies for new cars. Please refer to page 71 for the relevant rate for the second and subsequent years

³The recommended on-the-road price includes the Road Fund Licence applicable to the standard model plus delivery charge (£635.00 incl. VAT), new vehicle registration fee (£55.00) and number plates (£25.00 incl. VAT). VAT is calculated at the standard rate of 20%



Model prices – Cabriolet

Engine	Model line	Transmission	CO ₂ ¹	Basic RRP excl. VAT (£)	Total RRP incl. VAT (£)	Road Fund Licence (£) ²	Rec. OTR price (£) ³	P11D value (£)	BiK tax rate 2018/19 (%)
C220 d Diesel – 1,950 cc, 4-cylinder, 194 hp/143 kW	AMG Line	9G-TRONIC PLUS 9-speed automatic	126	35,857.50	43,029.00	205.00	43,949.00	43,689.00	30
C220 d 4MATIC Diesel – 1,950 cc, 4-cylinder, 194 hp/143 kW	AMG Line	9G-TRONIC PLUS 9-speed automatic	136	37,190.83	44,629.00	515.00	45,859.00	45,289.00	32
C300 d Diesel – 1,950 cc, 4-cylinder, 245 hp/180 kW	AMG Line	9G-TRONIC PLUS 9-speed automatic	138	36,736.67	44,084.00	515.00	45,314.00	44,744.00	32
C 180 Petrol – 1,595 cc, 4-cylinder, 156 hp/115 kW	AMG Line	6-speed manual	149	31,549.17	37,859.00	205.00	38,779.00	38,519.00	30
		9G-TRONIC PLUS 9-speed automatic	149	32,882.50	39,459.00	205.00	40,379.00	40,119.00	30
C200 Petrol – 1,497 cc, 4-cylinder, 184 hp/135 kW EQ Boost – 14 hp/10 kW	AMG Line	9G-TRONIC PLUS 9-speed automatic	145	33,765.83	40,519.00	205.00	41,439.00	41,179.00	30
C300 Petrol – 1,991 cc, 4-cylinder, 258 hp/190 kW	AMG Line	9G-TRONIC PLUS 9-speed automatic	153	36,065.83	43,279.00	515.00	44,509.00	43,939.00	31

¹The indicated values were determined according to the prescribed measurement method. These are the 'NEDC CO₂ values' according to Worldwide Harmonised Light Vehicle Test Procedure (WLTP). For more information on these values and how they have been calculated please see www.mercedes-benz.co.uk/WLTP

²A different first year rate of Vehicle Excise Duty (Road Fund Licence) applies for new cars. Please refer to page 71 for the relevant rate for the second and subsequent years

³The recommended on-the-road price includes the Road Fund Licence applicable to the standard model plus delivery charge (£635.00 incl. VAT), new vehicle registration fee (£55.00) and number plates (£25.00 incl. VAT). VAT is calculated at the standard rate of 20%



View offers > Coupé
> Cabriolet



Book a test drive > Coupé
> Cabriolet
> AMG



> Find a Retailer



> View the Range Guide

Engine	Model line	Transmission	CO ₂ ¹	Basic RRP excl. VAT (£)	Total RRP incl. VAT (£)	Road Fund Licence (£) ²	Rec. OTR price (£) ³	P11D value (£)	BiK tax rate 2018/19 (%)
Mercedes-AMG									
Mercedes-AMG C 43 4MATIC Petrol – 2,996 cc, 6-cylinder, 390 hp/287 kW	-	9G-TRONIC PLUS 9-speed automatic	223	44,857.50	53,829.00	1,240.00	55,784.00	54,489.00	37
Mercedes-AMG C 63 Petrol – 3,982 cc, 8-cylinder, 476 hp/350 kW	-	AMG SPEEDSHIFT MCT 9-speed auto.	236	58,385.00	70,062.00	1,760.00	72,537.00	70,722.00	37
Mercedes-AMG C 63 S Petrol – 3,982 cc, 8-cylinder, 510 hp/375 kW	-	AMG SPEEDSHIFT MCT 9-speed auto.	236	65,867.50	79,041.00	1,760.00	81,516.00	79,701.00	37

¹The indicated values were determined according to the prescribed measurement method. These are the 'NEDC CO₂ values' according to Worldwide Harmonised Light Vehicle Test Procedure (WLTP). For more information on these values and how they have been calculated please see www.mercedes-benz.co.uk/WLTP

²A different first year rate of Vehicle Excise Duty (Road Fund Licence) applies for new cars. Please refer to page 71 for the relevant rate for the second and subsequent years

³The recommended on-the-road price includes the Road Fund Licence applicable to the standard model plus delivery charge (£635.00 incl. VAT), new vehicle registration fee (£55.00) and number plates (£25.00 incl. VAT). VAT is calculated at the standard rate of 20%



View offers > Coupé
> Cabriolet



Book a test drive > Coupé
> Cabriolet
> AMG



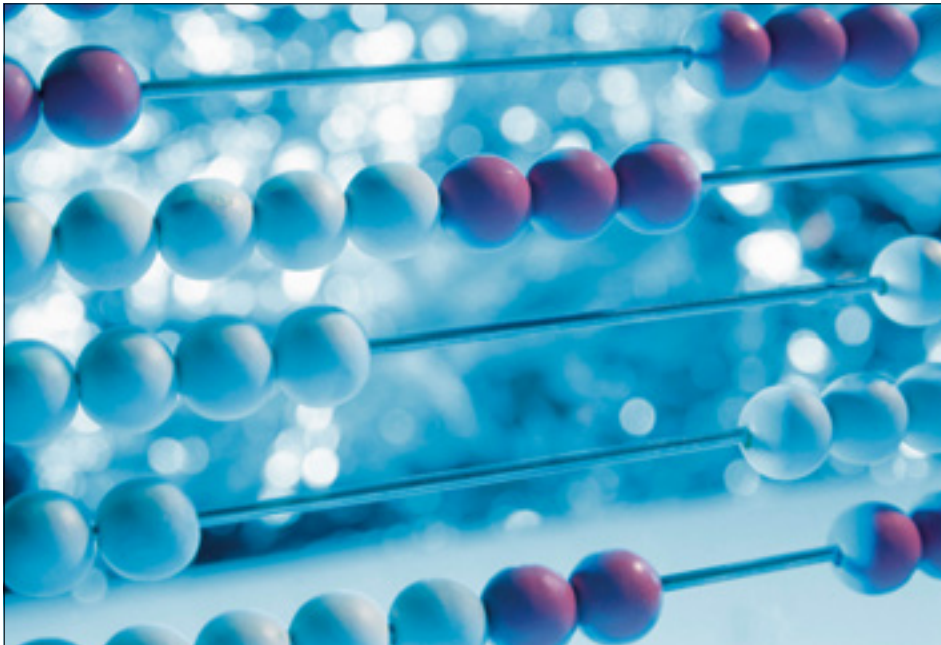
> Find a Retailer



> View the Range Guide

Mercedes-Benz Finance

As you'd expect with models of efficiency, the repayments aren't excessive



C 180 AMG Line Coupé with optional metallic paint (representative example)

Based on 10,000 miles per annum

48 monthly payments of ¹	£389.00
Customer deposit	£5,999.00
On-the-road price	£37,246.00
Retailer deposit contribution	£2,677.27
Optional purchase payment ²	£14,375.00
Amount of credit	£28,569.73
Duration of agreement	48 months
Total amount payable ³	£41,733.27
Purchase activation fee ²	£10.00
APR	5.3%
Fixed interest rate	5.12%
Excess mileage	13.2p per mile



**Example offers –
5.3% APR Representative**

	Automatic	Metallic	On-the-road price	Retailer deposit contribution	Customer deposit	48 monthly payments of ¹
C 200 AMG Line Coupé	●	○	£38,305.00	£2,677.27	£6,156.08	£399.00
C 220d AMG Line Coupé	●	○	£40,815.00	£2,677.27	£7,682.64	£409.00

● Standard equipment ○ Optional equipment included in the price

Mercedes-Benz Service Care

- Mercedes-Benz trained Technicians
- Maintained by Mercedes-Benz Retailers
- Meets requirements of Mercedes-Benz Agility finance agreement

Mercedes-Benz Motor Insurance

- 24/7 UK accident recovery
- We use Mercedes-Benz GenuineParts
- To qualify for up to 10% discount online, go to www.mercedes-benz.co.uk/motorinsurance
- Alternatively, call Mercedes-Benz Motor Insurance now on **0345 600 2180**⁴ for an annual quote

We may decline to quote in some circumstances. Mercedes-Benz Motor Insurance is underwritten by Aviva Insurance Limited

Content relating to finance is promoted by Mercedes-Benz Finance. Your Retailer may offer finance on behalf of other companies.

Orders/credit approvals on selected new C-Class Coupé models only, between 1 July and 30 September 2018, registered by 31 December 2018; excluding Mercedes-AMG models. Some combinations of features/options may not be available. Please contact your local Mercedes-Benz Retailer for availability

¹Based on a Mercedes-Benz Agility agreement. Vehicle condition, excess mileage and other charges may be payable. Quotations available on request for alternative contract lengths and mileages. Guarantees may be required. Over 18s only.

Credit provided, subject to status, by Mercedes-Benz Finance, MK15 8BA

²Payable if you exercise the option to purchase the car

³Includes optional purchase payment, purchase activation fee and Retailer deposit contribution (where applicable)

⁴Calls are charged at local rate and may be recorded



View offers > Coupé
> Cabriolet



Book a test drive > Coupé
> Cabriolet
> AMG



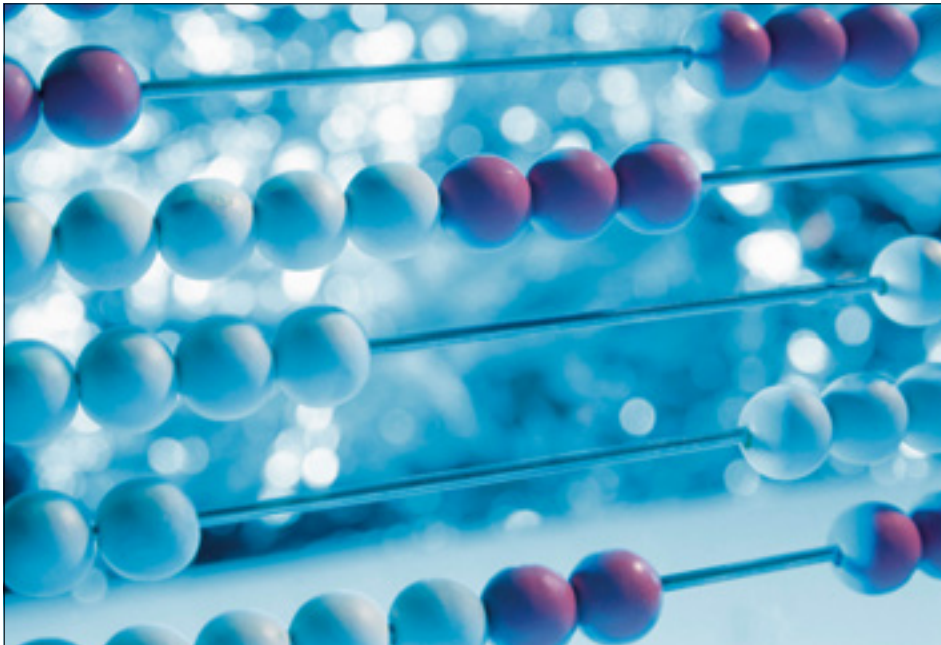
> Find a Retailer



> View the Range Guide

Mercedes-Benz Finance

Where the clever money goes



Mercedes-AMG C 43 4MATIC Coupé with optional metallic paint (representative example)

Based on 10,000 miles per annum

48 monthly payments of ¹	£609.00
Customer deposit	£10,000.14
On-the-road price	£52,650.00
Optional purchase payment ²	£20,900.00
Amount of credit	£42,649.86
Duration of agreement	48 months
Total amount payable ³	£60,142.14
Purchase activation fee ²	£10.00
APR	5.9%
Fixed interest rate	5.77%
Excess mileage	24p per mile



**Example offer –
5.9% APR Representative**

	Automatic	Metallic	On-the-road price	Customer deposit	48 monthly payments of ¹
Mercedes-AMG C 43 4MATIC Coupé	●	○	£52,650.00	£10,000.14	£609.00

● Standard equipment ○ Optional equipment included in the price

Mercedes-Benz Service Care

- Mercedes-Benz trained Technicians
- Maintained by Mercedes-Benz Retailers
- Meets requirements of Mercedes-Benz Agility finance agreement

Mercedes-Benz Motor Insurance

- 24/7 UK accident recovery
- We use Mercedes-Benz GenuineParts
- To qualify for up to 10% discount online, go to www.mercedes-benz.co.uk/motorinsurance
- Alternatively, call Mercedes-Benz Motor Insurance now on **0345 600 2180⁴** for an annual quote

We may decline to quote in some circumstances. Mercedes-Benz Motor Insurance is underwritten by Aviva Insurance Limited

Content relating to finance is promoted by Mercedes-Benz Finance. Your Retailer may offer finance on behalf of other companies.

Orders/credit approvals on selected Mercedes-AMG C-Class Coupé models only, between 1 July and 30 September 2018, registered by 31 December 2018; excluding non-Mercedes-AMG models. Some combinations of features/options may not be available. Please contact your local Mercedes-Benz Retailer for availability

¹Based on a Mercedes-Benz Agility agreement. Vehicle condition, excess mileage and other charges may be payable. Quotations available on request for alternative contract lengths and mileages. Guarantees may be required. Over 18s only.

Credit provided, subject to status, by Mercedes-Benz Finance, MK15 8BA

²Payable if you exercise the option to purchase the car

³Includes optional purchase payment, purchase activation fee and Retailer deposit contribution (where applicable)

⁴Calls are charged at local rate and may be recorded



View offers > Coupé
> Cabriolet



Book a test drive > Coupé
> Cabriolet
> AMG



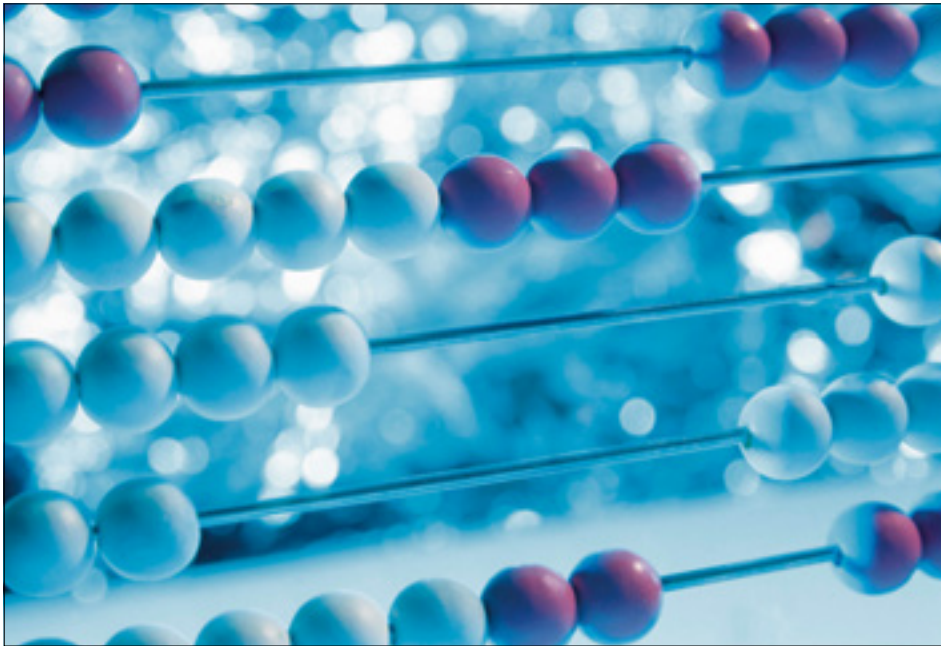
> Find a Retailer



> View the Range Guide

Mercedes-Benz Finance

The finance plan is designed to impress too



C 180 AMG Line Cabriolet with optional metallic paint (representative example)

Based on 10,000 miles per annum

48 monthly payments of ¹	£419.00
Customer deposit	£6,499.00
On-the-road price	£41,064.00
Retailer deposit contribution	£3,452.53
Optional purchase payment ²	£15,900.00
Amount of credit	£31,112.47
Duration of agreement	48 months
Total amount payable ³	£45,973.53
Purchase activation fee ²	£10.00
APR	5.3%
Fixed interest rate	5.12%
Excess mileage	14.4p per mile



**Example offers –
5.3% APR Representative**

	Automatic	Metallic	On-the-road price	Retailer deposit contribution	Customer deposit	48 monthly payments of ¹
C 200 AMG Line Cabriolet	●	○	£42,124.00	£3,452.53	£6,677.45	£429.00
C 220 d AMG Line Cabriolet	●	○	£44,634.00	£3,452.53	£8,183.63	£439.00

● Standard equipment ○ Optional equipment included in the price

Mercedes-Benz Service Care

- Mercedes-Benz trained Technicians
- Maintained by Mercedes-Benz Retailers
- Meets requirements of Mercedes-Benz Agility finance agreement

Mercedes-Benz Motor Insurance

- 24/7 UK accident recovery
- We use Mercedes-Benz GenuineParts
- To qualify for up to 10% discount online, go to www.mercedes-benz.co.uk/motorinsurance
- Alternatively, call Mercedes-Benz Motor Insurance now on **0345 600 2180**⁴ for an annual quote

We may decline to quote in some circumstances. Mercedes-Benz Motor Insurance is underwritten by Aviva Insurance Limited

Content relating to finance is promoted by Mercedes-Benz Finance. Your Retailer may offer finance on behalf of other companies.

Orders/credit approvals on selected new C-Class Cabriolet models only, between 1 July and 30 September 2018, registered by 31 December 2018; excluding Mercedes-AMG models. Some combinations of features/options may not be available. Please contact your local Mercedes-Benz Retailer for availability

¹Based on a Mercedes-Benz Agility agreement. Vehicle condition, excess mileage and other charges may be payable. Quotations available on request for alternative contract lengths and mileages. Guarantees may be required. Over 18s only.

Credit provided, subject to status, by Mercedes-Benz Finance, MK15 8BA

²Payable if you exercise the option to purchase the car

³Includes optional purchase payment, purchase activation fee and Retailer deposit contribution (where applicable)

⁴Calls are charged at local rate and may be recorded



View offers > Coupé
> Cabriolet



Book a test drive > Coupé
> Cabriolet
> AMG



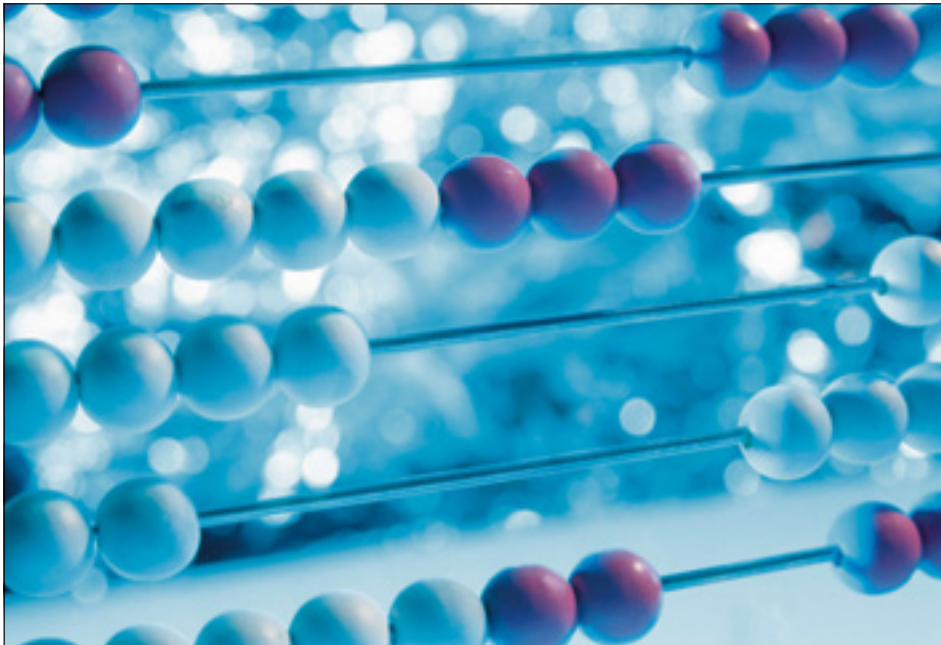
> Find a Retailer



> View the Range Guide

Mercedes-Benz Finance

It comes with a specification list worth exploring



Mercedes-AMG C 43 4MATIC Cabriolet with optional metallic paint (representative example)

Based on 10,000 miles per annum

48 monthly payments of ¹	£659.00
Customer deposit	£10,489.02
On-the-road price	£56,469.00
Optional purchase payment ²	£22,400.00
Amount of credit	£45,979.98
Duration of agreement	48 months
Total amount payable ³	£64,531.02
Purchase activation fee ²	£10.00
APR	5.9%
Fixed interest rate	5.77%
Excess mileage	25.2p per mile



**Example offer –
5.9% APR Representative**

	Automatic	Metallic	On-the-road price	Customer deposit	48 monthly payments of ¹
Mercedes-AMG C 43 4MATIC Cabriolet	●	○	£56,469.00	£10,489.02	£659.00

● Standard equipment ○ Optional equipment included in the price

Mercedes-Benz Service Care

- Mercedes-Benz trained Technicians
- Maintained by Mercedes-Benz Retailers
- Meets requirements of Mercedes-Benz Agility finance agreement

Mercedes-Benz Motor Insurance

- 24/7 UK accident recovery
- We use Mercedes-Benz GenuineParts
- To qualify for up to 10% discount online, go to www.mercedes-benz.co.uk/motorinsurance
- Alternatively, call Mercedes-Benz Motor Insurance now on **0345 600 2180⁴** for an annual quote

We may decline to quote in some circumstances. Mercedes-Benz Motor Insurance is underwritten by Aviva Insurance Limited

Content relating to finance is promoted by Mercedes-Benz Finance. Your Retailer may offer finance on behalf of other companies.

Orders/credit approvals on selected Mercedes-AMG C-Class Cabriolet models only, between 1 July and 30 September 2018, registered by 31 December 2018; excluding non-Mercedes-AMG models. Some combinations of features/options may not be available. Please contact your local Mercedes-Benz Retailer for availability

¹Based on a Mercedes-Benz Agility agreement. Vehicle condition, excess mileage and other charges may be payable. Quotations available on request for alternative contract lengths and mileages. Guarantees may be required. Over 18s only.

Credit provided, subject to status, by Mercedes-Benz Finance, MK15 8BA

²Payable if you exercise the option to purchase the car

³Includes optional purchase payment, purchase activation fee and Retailer deposit contribution (where applicable)

⁴Calls are charged at local rate and may be recorded



View offers > Coupé
> Cabriolet



Book a test drive > Coupé
> Cabriolet
> AMG



> Find a Retailer



> View the Range Guide

C-Class AMG Line



Optional brilliant blue metallic paint finish shown



View offers

- > Coupé
- > Cabriolet



Book a test drive

- > Coupé
- > Cabriolet
- > AMG



Find a Retailer



View the Range Guide

The AMG Line instantly grabs the attention with dynamic features like the new LED High Performance headlamps and AMG bodystyling with a restyled front apron, rear apron and side skirts. The tremolite grey 18" aero alloy wheels in a 5-spoke design add to the bold look. Once in motion, both the Sports suspension and the Sports Direct-Steer system with speed-sensitive steering ensure a thrilling road performance.

The interior features stylish upholstery in a black ARTICO leather¹/DINAMICA microfibre combination, paired with a striking silver and nappa leather AMG steering wheel with a flattened bottom section and touch controls. The latter can also be used to activate the Audio 20 or the DAB digital radio with a 10.25-inch colour display.

Exterior

Mirror package – electrically folding mirrors and automatically dimming exterior driver's mirror and rear-view mirror

18" aero alloy wheels – 5-spoke design, painted tremolite grey

Active Parking Assist including PARKTRONIC and reversing camera

AMG bodystyling – front apron, rear apron and side skirts

Diamond grille with integrated star – chrome pins

DYNAMIC SELECT with a choice of five driving modes

Headlamps – LED High Performance headlamps with integral LED daytime running lamps

Sports braking system with perforated front brake discs

Sports Direct-Steer system with speed-sensitive steering

Sports suspension

Interior

AIRCAP – wind deflector and draught-stop (Cabriolet only)

AIRSCARF – neck-level heating system (Cabriolet only)

AMG sports pedals in brushed stainless steel with rubber studs

Audio 20 with 10.25-inch colour display and Media Interface

DAB digital radio tuner

Floor mats – black with 'AMG' lettering

SD card-based navigation system

Seat belts – automatic seat-belt presenter for driver and front passenger

Silver steering wheel gearshift paddles

Steering wheel – AMG design in nappa leather with touch controls and flattened bottom section

Trim and Upholstery

Black ash wood with brushed aluminium



ARTICO leather¹/DINAMICA microfibre – black



¹Man-made leather ²Recommended Retail Price: this price will vary according to engine chosen, due to Road Fund Licence



View offers > Coupé
> Cabriolet



Book a test drive > Coupé
> Cabriolet
> AMG



> Find a Retailer



> View the Range Guide

Mercedes-AMG C 43 4MATIC



Optional MULTIBEAM LED Intelligent Light System shown



Optional 19" AMG alloy wheels – multi-spoke design, painted black shown



View offers > Coupé
> Cabriolet



Book a test drive > Coupé
> Cabriolet
> AMG



> Find a Retailer



> View the Range Guide

This powerful V6 offers a high dosage of top-performing technology and the looks to match – starting with the AMG front grille featuring a double louvre in matt iridium silver and ‘AMG’ lettering. The AMG bodystyling includes a front apron with distinctive air intakes, AMG side sill panels and an AMG diffuser-look rear apron, while the 18" aero alloy wheels in a 5-spoke design are painted tremolite grey. The interior plays with bold colours revealing red contrast stitching on the ARTICO leather¹/DINAMICA microfibre sports

seats and ARTICO leather¹ dashboard, as well as red seat belts combined with a high-gloss black trim and aluminium door inlays. The AMG steering wheel is clad in nappa leather and comes with touch controls and a flattened bottom section for the ultimate grip in every corner. The AMG floor mats continue the performance-inspired theme with red piping against black leather edging.

Exterior

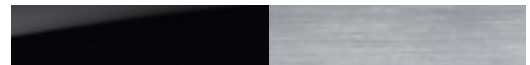
- 18" aero alloy wheels – 5-spoke design, painted tremolite grey
- AMG bodystyling – front apron with distinctive air intakes, AMG side sill panels, AMG rear apron with diffuser look
- ‘AMG’ lettering on front brake calipers
- AMG Performance exhaust system
- AMG spoiler lip in vehicle colour
- Badging – ‘BITURBO 4MATIC’ lettering on front wings
- Black mirror housings
- Front grille – AMG design with double louvre in matt iridium silver and ‘AMG’ lettering

Interior

- AMG boot logo in central screen
- ARTICO leather¹ dashboard with red contrast stitching
- Floor mats – with black leather edging, red piping and AMG logo
- Front door sill panels with ‘AMG’ lettering
- Seat belts – red
- Steering wheel – AMG design in nappa leather with touch controls and flattened bottom section
- Upholstery – ARTICO leather¹/DINAMICA microfibre with red contrast stitching

Trim and Upholstery

High-gloss black with aluminium door inlays



ARTICO leather¹/DINAMICA microfibre – black with red contrast stitching



¹Man-made leather



View offers > Coupé
> Cabriolet



Book a test drive > Coupé
> Cabriolet
> AMG



> Find a Retailer



> View the Range Guide

Mercedes-AMG C 63



Options shown: 19" AMG cross-spoke forged wheels painted titanium grey with a high-shine finish (code 766)



Welcome to the bold powerhouse that is the Mercedes-AMG C 63. Fitted with a 4-litre V8 biturbo engine, it delivers a highly-refined driving experience. The exterior sets the tone with 'V8 BITURBO' lettering on the front wings and striking side air intakes. As you'd expect, there is AMG bodystyling, as well as an AMG-specific radiator grille, a new angular tailpipe design and 18" AMG 10-spoke alloy wheels in grey, aerodynamically optimised, revealing

silver brake calipers. The interior is fitted with black sports seats against a high-gloss black and aluminium trim. Seated behind the leather-clad AMG Performance nappa leather steering wheel with gearshift paddles and touch-control buttons, you have access to the 12.3" digital instrument cluster display. Meanwhile, the ambient lighting and mid-range sound system create the perfect atmosphere on board.

Exterior

- 18" AMG 10-spoke alloy wheels, aerodynamically optimised, painted tantalite grey with a high-shine finish
- AMG boot lid spoiler in body colour
- AMG electronic rear axle differential lock
- AMG Performance exhaust system
- AMG-specific radiator grille
- Anti-lock braking system (ABS)
- Badging - 'V8 BITURBO' lettering on front wings
- Brake calipers - silver with 'AMG' lettering
- Headlamps - MULTIBEAM LED
- New lamella design for side air intake
- New rear apron including diffuser
- New tailpipe design (double angular)

Interior

- 12.3" digital instrument cluster display - AMG-specific
- AMG Performance steering wheel in nappa leather - sporty 3-spoke design, flattened lower section and perforated grip area
- AMG sports seats with nappa leather upholstery
- Ambient lighting - 64 colours
- COMAND Online system with touchpad¹
- Load compartment cover
- Memory seats
- Mid-range sound system
- Rear seats - split folding 40:20:40
- Seat belts - black
- SPEEDTRONIC cruise control with variable speed limit
- Wireless charging

Trim and Upholstery

High-gloss black with brushed aluminium



Nappa leather - black



Nappa leather - two-tone platinum white pearl/black



Nappa leather - two-tone red pepper/black



¹COMAND Online functionality and Wi-Fi connectivity is dependent on a compatible cellular data connection. Please check with your local Mercedes-Benz Retailer on network compatibility



View offers > Coupé
> Cabriolet



Book a test drive > Coupé
> Cabriolet
> AMG



> Find a Retailer



> View the Range Guide

Mercedes-AMG C 63 S



Options shown: 19"/20" AMG Performance 5-twin-spoke forged wheels, painted matt black with high-sheen rim flange (code RXC); AMG Night package (code P60)



View offers > Coupé
> Cabriolet



Book a test drive > Coupé
> Cabriolet
> AMG



> Find a Retailer



> View the Range Guide

If you can't get enough of the C-Class, opt for the Mercedes-AMG C 63 S. It truly raises you to the next level with the AMG Driver's package that increases the top speed. The exterior oozes pure power: starting from the grey 19"/20" AMG 5-twin-spoke alloy wheels with red brake calipers all the way to the new rear apron diffuser and the dual angular tailpipe design.

In addition/replacement to Mercedes-AMG C 63:

Exterior

AMG Driver's package - increase in top speed to 174 mph (Cabriolet)/180 mph (Coupé)

19"/20" AMG 5-twin-spoke alloy wheels, aerodynamically optimised, painted tantalite grey with a high-sheen finish

New rear apron including diffuser blade

Red brake calipers

Interior

AMG Performance seats in nappa leather upholstery

AMG Track Pace

Mercedes-AMG C 63 S badging at the rear

Seat belts - crystal grey

Inside, you'll find AMG Performance seats with nappa leather upholstery in black featuring red contrast stitching and crystal grey seatbelts. In true performance style, COMAND Online also features AMG Track Pace, a handy feature to record your lap times on the racetrack.¹

Trim and Upholstery

High-gloss black with brushed aluminium



Nappa leather - black



Nappa leather - two-tone platinum white pearl/black



Nappa leather - two-tone red pepper/black



¹COMAND Online functionality and Wi-Fi connectivity is dependent on a compatible cellular data connection. Please check with your local Mercedes-Benz Retailer on network compatibility



View offers > Coupé
> Cabriolet



Book a test drive > Coupé
> Cabriolet
> AMG



> Find a Retailer



> View the Range Guide

Premium and Premium Plus equipment lines



Ambient lighting



KEYLESS-GO Comfort package



Wireless charging



Panoramic glass sunroof



Burmester® surround sound system



COMAND Online system with touchpad



View offers > Coupé
> Cabriolet



Book a test drive > Coupé
> Cabriolet
> AMG



> Find a Retailer



> View the Range Guide

Why not look over our equipment lines to enhance and personalise your choice of new car? If you want to increase your comfort and add the best in entertainment to your C-Class, the Premium and Premium Plus equipment lines do just that.

Premium equipment line (code PYN) comprises:

12.3" Digital Instrument Cluster display. High-resolution instrument cluster screen with choice of three display styles

Ambient lighting. Interior 64-colour dynamic multicolour LED lighting of trim on dashboard, centre console, and front and rear door panelling; in front and rear door pockets, cup holder and stowage compartment, rear footwell and rear door handle recesses

COMAND Online system with Media Interface and touchpad.¹ Digital TV reception, online functions, navigation: hard disk navigation with high-quality topographic map display including 3D places of interest and city models. Latest map data thanks to 3 years of free map updates (from date of initial registration, vehicle-specific). Display of satellite maps (requires a Bluetooth®-connected mobile phone). Car-to-X communication. Use of the Live Traffic Information service for optimised dynamic route guidance and more precisely-estimated time of arrival (country-specific). LINGUATRONIC voice control system, two USB ports and one SD card slot in the centre console

Mid-range sound system. Four mid-range speakers, 2 tweeters, 2 frontbass speakers, 1 centre speaker and 225 W amplifier output

MULTIBEAM LED. Headlamps with 84 individually-controlled LEDs, integrated daytime running lamps, Active Light System, cornering light function, motorway mode function, enhanced fog lamp function, Adaptive Highbeam Assist and locator lighting

Wireless charging surface integrated into quick stowage tray in front of centre console. Quick establishment of connection between multimedia system and mobile phone via Near Field Communication (NFC)

Coupé and Cabriolet Total incl. VAT £2,795.00

Standard on Mercedes-AMG C 63 and C 63 S

Additionally, the Premium Plus equipment line (code PYO) comprises:

360° camera. Four networked short-range cameras in the radiator grille, next to the tailgate release handle plus in the exterior mirror housings, for displaying all four vehicle sides and visualising the vehicle and surroundings from a bird's-eye view in the media display

Burmester® surround sound system. Thirteen speakers and a 9-channel amplifier with total output of 590 W (7 × 50 W and 2 × 120 W). (Replaces the Premium sound system)

KEYLESS-GO Comfort package. Hands-free access, automatic powered boot closing, keyless entry and keyless start. Includes chrome trim on top half of door handles. (Cabriolet: keyless entry and keyless start only)

Panoramic electric glass sunroof. Consisting of a fixed panoramic glass rear section and an electrically-operated sliding glass front section, the glass roof provides additional light and ventilation into the car. (Coupé only)

AMG Line and

Mercedes-AMG C 43 4MATIC

Coupé £4,995.00

Cabriolet¹ £3,595.00

Mercedes-AMG C 63 and C 63 S

Coupé £2,595.00

Cabriolet¹ £1,195.00

¹COMAND Online functionality and Wi-Fi connectivity is dependent on a compatible cellular data connection. Please check with your local Mercedes-Benz Retailer on network compatibility



Pricing summary for model and equipment lines – Coupé

Model	Transmission	Recommended OTR price (£) ¹					
		AMG Line	AMG Line Premium	AMG Line Premium Plus	Mercedes-AMG	Mercedes-AMG Premium	Mercedes-AMG Premium Plus
C 220 d	9G-TRONIC PLUS 9-speed automatic	40,130.00	42,925.00	45,125.00	-	-	-
C 220 d 4MATIC	9G-TRONIC PLUS 9-speed automatic	41,730.00	44,525.00	46,725.00	-	-	-
C 300 d	9G-TRONIC PLUS 9-speed automatic	41,185.00	43,980.00	46,180.00	-	-	-
C 300 d 4MATIC	9G-TRONIC PLUS 9-speed automatic	43,095.00	45,890.00	48,090.00	-	-	-
C 180	6-speed manual	34,960.00	-	-	-	-	-
	9G-TRONIC PLUS 9-speed automatic	36,560.00	39,355.00	41,555.00	-	-	-
C 200	9G-TRONIC PLUS 9-speed automatic	37,620.00	40,415.00	42,615.00	-	-	-
C 200 4MATIC	9G-TRONIC PLUS 9-speed automatic	39,220.00	42,015.00	44,215.00	-	-	-
C 300	9G-TRONIC PLUS 9-speed automatic	40,380.00	43,175.00	45,375.00	-	-	-
Mercedes-AMG C 43 4MATIC	9G-TRONIC PLUS 9-speed automatic	-	-	-	51,965.00	54,760.00	56,960.00
Mercedes-AMG C 63	AMG SPEEDSHIFT MCT 9-speed auto.	-	-	-	68,719.00	-	71,314.00
Mercedes-AMG C 63 S	AMG SPEEDSHIFT MCT 9-speed auto.	-	-	-	77,698.00	-	80,293.00

¹The recommended on-the-road price includes the Road Fund Licence applicable to the standard model plus delivery charge (£635.00 incl. VAT), new vehicle registration fee (£55.00) and number plates (£25.00 incl. VAT). VAT is calculated at the standard rate of 20%



View offers > Coupé
> Cabriolet



Book a test drive > Coupé
> Cabriolet
> AMG



> Find a Retailer



> View the Range Guide

Pricing summary for model and equipment lines – Cabriolet

Model	Transmission	Recommended OTR price (£) ¹					
		AMG Line	AMG Line Premium	AMG Line Premium Plus	Mercedes-AMG	Mercedes-AMG Premium	Mercedes-AMG Premium Plus
C 220 d	9G-TRONIC PLUS 9-speed automatic	43,949.00	46,744.00	47,544.00	-	-	-
C 220 d 4MATIC	9G-TRONIC PLUS 9-speed automatic	45,859.00	48,654.00	49,454.00	-	-	-
C 300 d	9G-TRONIC PLUS 9-speed automatic	45,314.00	48,109.00	48,909.00	-	-	-
C 180	6-speed manual	38,779.00	-	-	-	-	-
	9G-TRONIC PLUS 9-speed automatic	40,379.00	43,174.00	43,974.00	-	-	-
C 200	9G-TRONIC PLUS 9-speed automatic	41,439.00	44,234.00	45,034.00	-	-	-
C 300	9G-TRONIC PLUS 9-speed automatic	44,509.00	47,304.00	48,104.00	-	-	-
Mercedes-AMG C 43 4MATIC	9G-TRONIC PLUS 9-speed automatic	-	-	-	55,784.00	58,579.00	59,379.00
Mercedes-AMG C 63	AMG SPEEDSHIFT MCT 9-speed auto.	-	-	-	72,537.00	-	73,732.00
Mercedes-AMG C 63 S	AMG SPEEDSHIFT MCT 9-speed auto.	-	-	-	81,516.00	-	82,711.00

¹The recommended on-the-road price includes the Road Fund Licence applicable to the standard model plus delivery charge (£635.00 incl. VAT), new vehicle registration fee (£55.00) and number plates (£25.00 incl. VAT). VAT is calculated at the standard rate of 20%



Standard equipment

Item	AMG Line	Mercedes-AMG C 43 4MATIC	Mercedes-AMG C 63	Mercedes-AMG C 63 S
Steering, Suspension and Transmission				
AMG Driver's package Includes an increase to your vehicle's electronically-limited top speed (174 mph Cabriolet/180 mph Coupé)	-	-	-	●
6-speed manual transmission (C 180 only)	●	-	-	-
9G-Tronic Plus 9-speed automatic transmission (optional for C 180)	●	●	-	-
AGILITY CONTROL sports suspension - lowered by 15 mm	●	-	-	-
AMG electronic rear axle differential lock Complimentary differential oil change required after first 2,000 miles	-	-	●	●
AMG performance 4MATIC with torque distribution of 31:69 (front/rear)	-	●	-	-
AMG RIDE CONTROL sports suspension	-	●	●	●
AMG SPEEDSHIFT MCT 9-speed automatic sports transmission, steering wheel gearshift paddles, SPEEDTRONIC cruise control and RACE START function	-	-	●	●
Driving modes - AMG DYNAMIC SELECT with a choice of AMG-specific driving modes (Comfort, Sport, Sport+, Individual and Race modes for Mercedes-AMG C 63 S)	-	-	●	●

Item	AMG Line	Mercedes-AMG C 43 4MATIC	Mercedes-AMG C 63	Mercedes-AMG C 63 S
Driving modes - DYNAMIC SELECT with a choice of driving modes (Comfort, ECO, Sport, Sport+, Individual)	●	●	-	-
Steering - AMG 2-stage speed-sensitive sports steering	-	●	-	-
Steering - AMG 3-stage speed-sensitive sports steering	-	-	●	●
Steering - Sports Direct-Steer system with speed-sensitive steering	●	-	-	-
Steering column - manually adjustable for height and reach	●	●	-	-



Standard equipment

Item	AMG Line	Mercedes-AMG C 43 4MATIC	Mercedes-AMG C 63	Mercedes-AMG C 63 S
Exterior				
Mirror package – electrically folding mirrors and automatically dimming exterior driver’s mirror and rear-view mirror	●	●	●	●
Acoustic soft-top – with enhanced climate and noise comfort (Cabriolet only)	●	●	●	●
AIRCAP – wind deflector and draught-stop (Cabriolet only)	●	●	●	●
AIRSCARF – neck-level heating system (Cabriolet only)	●	●	●	●
AMG bodystyling – front apron, rear apron and side skirts	●	●	–	–
AMG bonnet with powerdomes	–	–	●	●
AMG boot lid spoiler in body colour	–	●	●	●
AMG front apron with A-wing in vehicle colour	–	–	●	–
AMG front apron with A-wing in high-gloss black	–	–	–	●
AMG Performance exhaust system	–	●	●	●
AMG rear apron with 4 diffuser fins (with diffuser board plus trim strip painted matt iridium silver on Mercedes-AMG C 63 S)	–	–	●	●
AMG side sill panels (with silver chrome inserts on Mercedes-AMG C 63 S)	–	–	●	●
Badging – ‘BITURBO 4MATIC’ lettering on front wings	–	●	–	–
Badging – flared AMG wings with ‘V8 BITURBO’ lettering in the front	–	–	●	●
Brake calipers – red with ‘AMG’ lettering	–	–	–	●
Brake calipers – silver with ‘AMG’ lettering	–	–	●	–
Brake calipers – with ‘AMG’ lettering and perforated front brake discs	–	●	–	–

Item	AMG Line	Mercedes-AMG C 43 4MATIC	Mercedes-AMG C 63	Mercedes-AMG C 63 S
Brake calipers – with ‘Mercedes-Benz’ lettering and perforated front brake discs	●	–	–	–
Exterior mirrors – heated and electronically adjustable	●	●	●	●
Fuel tank with increased capacity – 66 litres	●	●	●	●
Headlamps – LED High Performance headlamps with integral LED daytime running lamps	●	●	–	–
Headlamps – MULTIBEAM LED	△	△	●	●
Radiator grille – AMG-specific radiator grille in high-sheen chrome with ‘AMG’ lettering	–	–	●	●
Radiator grille – diamond grille with integrated star and chrome pins	●	–	–	–
Radiator grille – AMG design with double louvre in matt iridium silver and ‘AMG’ lettering	–	●	–	–
Rain-sensing windscreen wipers	●	●	●	●
Semi-automatic boot separator (Cabriolet only)	●	●	●	●
Sport exhaust system (C 200 and C 300 only)	●	–	–	–
Tail lamps – full LED	●	●	●	●
Tinted glass all round – green	●	●	●	●
Top surround of side windows in polished aluminium	●	●	●	●
Visible twin-pipe exhaust trim integrated into rear bumper	●	–	–	–



Standard equipment

Item	AMG Line	Mercedes-AMG C 43 4MATIC	Mercedes-AMG C 63	Mercedes-AMG C 63 S
Interior				
Interior Lighting package Lighting of footwells, door handle recesses, as well as rear reading lights (LED) and courtesy lights in all doors	●	●	●	●
Seat Comfort package Electro-pneumatic four-way lumbar support for driver and front passenger seat Manual seat cushion depth adjustment (6 cm)	●	●	-	-
Stowage package Including luggage net in boot and folding box under luggage compartment floor	●	●	●	●
12.3" digital instrument display (with AMG-specific selectable display 'Supersport' for Mercedes-AMG C 63 and C 63 S)	△	△	●	●
'AMG' emblem in front head restraints	-	-	-	●
AMG Performance seats	-	○	○	●
ARTICO leather ¹ upper dashboard with contrast stitching	●	●	●	●
Electric windows (2) – one-touch opening and closing, including obstruction sensors	●	●	●	●
Electronic key – chrome surround	●	●	●	●
Floor mats – black with 'AMG' lettering	●	●	●	●
Front door sill panels with 'AMG' lettering	-	●	●	●
Front door sill panels with 'Mercedes-Benz' lettering	●	-	-	-
Gear lever and gear lever gaiter in nappa leather (manual transmission only)	●	-	-	-
Gearshift paddle on steering wheel	●	●	●	●

Item	AMG Line	Mercedes-AMG C 43 4MATIC	Mercedes-AMG C 63	Mercedes-AMG C 63 S
Instrument cluster with two tube-design round dials and 5.5-inch TFT multifunction display	●	●	-	-
Outside temperature display	●	●	●	●
Seats – AMG sports seats	-	●	●	-
Seats – front, heated	●	●	●	●
Seats – front, with electrical height and back adjustment	●	●	-	-
Seats – rear, split folding 40:20:40	●	●	●	●
Seats – sports seats with integrated head restraints	●	●	-	-
Seat belts – automatic seat-belt presenter for driver and front passenger	●	●	●	●
Seat belts – black	●	-	●	-
Seat belts – crystal grey	-	-	-	●
Seat belts – red	-	●	-	-
Sports pedals in brushed stainless steel with rubber studs	●	●	●	●
Steering column – manually adjustable for height and reach	●	●	-	-
Steering wheel – 3-spoke multifunction AMG steering wheel in leather with flattened bottom section, chrome inserts and perforated leather in grip area	●	-	-	-
Steering wheel – 3-spoke multifunction sports steering wheel in black leather with flattened bottom section, heavily embossed in central grip area, in silver chrome and contrasting topstitching in red	-	●	-	-



Item	AMG Line	Mercedes-AMG C43 4MATIC	Mercedes-AMG C63	Mercedes-AMG C63 S
Interior (continued)				
Steering wheel – AMG Performance steering wheel in nappa leather/ DINAMICA microfibre: sporty 3-spoke design with flattened lower section, 12 o'clock marking in black, silver-coloured aluminium gearshift paddles allow manual gearshifts, touch-control buttons	-	-	-	●
Steering wheel – AMG Performance steering wheel in nappa leather: sporty 3-spoke design with flattened lower section and perforated grip area, 12 o'clock marking in black, silver-coloured aluminium gearshift paddles allow manual gearshifts, touch-control buttons	-	-	●	-
Steering wheel – multifunction with audio and onboard settings control	●	●	●	●
Stowage – front centre armrest with stowage compartment	●	●	●	●
Stowage – double cupholder in centre console	●	●	●	●
Stowage – illuminated glove compartment	●	●	●	●
Sun visors with illuminated vanity mirrors	●	●	●	●
THERMATIC – automatic climate control, two-zone	●	●	●	●

Item	AMG Line	Mercedes-AMG C43 4MATIC	Mercedes-AMG C63	Mercedes-AMG C63 S
Paint, Trim and Upholstery				
Paint – non-metallic	●	●	●	●
Trim – ARTICO leather ¹ dashboard with red contrast stitching	-	●	-	-
Trim – ARTICO leather ¹ dashboard with contrast stitching	-	-	●	●
Trim – black ash wood with aluminium door trims	●	○	○	○
Trim – high-gloss black with aluminium door trims	-	●	●	●
Upholstery – AMG black nappa leather	-	-	●	●
Upholstery – ARTICO leather ¹ /DINAMICA microfibre	●	-	-	-
Upholstery – ARTICO leather ¹ /DINAMICA microfibre with red contrast stitching	-	●	-	-



Item	AMG Line	Mercedes-AMG C 43 4MATIC	Mercedes-AMG C 63	Mercedes-AMG C 63 S
Safety and Assistance Systems				
Active bonnet – pedestrian safety measure which detects an impact and raises bonnet	●	●	●	●
Active Parking Assist including PARKTRONIC The system automatically steers vehicle into parking spaces. Bay and parallel parking capable	●	●	●	●
Adaptive Brake Assist with HOLD function and brake-drying function	●	●	●	●
Adaptive brake lamps	●	●	●	●
AMG high-performance braking system	-	-	●	●
Anti-lock braking system (ABS)	●	●	●	●
Anti-Theft Protection package – consisting of a break-in and anti-theft alarm system (ATA), interior monitoring and tow-away protection	●	●	●	●
ATTENTION ASSIST – can help alert to long journey fatigue	●	●	●	●
Automatic child seat recognition sensor	●	●	●	●
Central locking with interior switch, automatic locking and crash sensor with emergency opening function	●	●	●	●
COLLISION PREVENTION ASSIST PLUS	●	●	●	●
Diesel particulate filter – all diesel engines	●	-	-	-

Item	AMG Line	Mercedes-AMG C 43 4MATIC	Mercedes-AMG C 63	Mercedes-AMG C 63 S
Dual-stage airbags – driver and front passenger; sidebags in front seats; driver kneebag; pelvis bag and windowbags for driver, front passenger and rear passengers	●	●	●	●
Electric parking brake	●	●	●	●
Electronic Stability Programme (ESP®)	●	●	●	●
First-aid kit and warning triangle	●	●	●	●
ISOFIX child seat attachment points with top tether in rear	●	●	●	●
Petrol Particulate Filter (PPF) – all petrol engines	●	●	●	●
Remote boot release	●	●	●	●
Reversing camera	●	●	●	●
Service indicator ASSYST	●	●	●	●
SPEEDTRONIC cruise control with variable speed limiter	●	●	●	●
Sports braking system with larger brake discs	-	●	-	-
Status display for rear seat belts in instrument cluster	●	●	●	●
TIREFIT with tyre inflation compressor	●	●	●	●
Tyre pressure monitoring system	●	●	●	●



View offers > Coupé
> Cabriolet



Book a test drive > Coupé
> Cabriolet
> AMG



> Find a Retailer



> View the Range Guide

Standard equipment

Item	AMG Line	Mercedes-AMG C 43 4MATIC	Mercedes-AMG C 63	Mercedes-AMG C 63 S
Communications and In-Car Entertainment				
AMG Track Pace	-	-	-	●
Audio 20 CD including with integrated Media Interface and Bluetooth® interface with hands-free function	●	●	-	-
COMAND Online system with touchpad ¹ Digital TV reception, online functions, navigation: hard disk navigation with high-quality topographic map display including 3D places of interest and city models. Latest map data thanks to 3 years of free map updates (from date of initial registration, vehicle-specific). Display of satellite maps (requires a Bluetooth®-connected mobile phone). Car-to-X communication. Use of the Live Traffic Information service for optimised dynamic route guidance and more precisely-estimated time of arrival (country-specific). LINGUATRONIC voice control system, two USB ports and one SD card slot in the centre console	△	△	●	●
DAB digital radio tuner	●	●	●	●
High-resolution 10.25-inch multimedia colour display	●	●	●	●
Mercedes me connect (Vehicle Set-up and Vehicle Monitoring) Onboard use of remote and location services, e.g. geographic vehicle monitoring, vehicle location, remote door locking and unlocking, remote interrogation of vehicle status. Remote Online subscription services are limited to three years from initial registration, and can be extended at additional cost	●	●	●	●

Item	AMG Line	Mercedes-AMG C 43 4MATIC	Mercedes-AMG C 63	Mercedes-AMG C 63 S
Mercedes me connect (standard services) Including emergency call system (eCall), accident recovery, breakdown and maintenance management	●	●	●	●
Mid-range sound system Four mid-range speakers, two tweeters, two Frontbass speakers, one centre speaker, 225W amplifier output	△	△	●	●
Pre-wiring for SD navigation system	●	●	●	●
Radio aerial integrated into rear window	●	●	●	●
SD card-based navigation system Operation via controller or voice control. SD card navigation with instructions shown on 10.25-inch high-resolution colour display and in the instrument cluster. Includes 3D views with visualisation of roads and buildings as well as junction and lane assistants, making it easy for drivers to orientate themselves. Spoken instructions are emitted through vehicle's built-in speakers	●	●	-	-
Speakers with Frontbass	●	●	●	●
Two USB ports and one SD card slot in centre console	●	●	●	●
Wireless charging surface integrated into quick stowage tray in front of centre console. Quick establishment of connection between multimedia system and mobile phone via Near Field Communication (NFC)	△	△	●	●

● Standard ○ Optional - Not available △ Available only as part of optional Premium or Premium Plus equipment lines (code PYN and PYO)

¹COMAND Online functionality and Wi-Fi connectivity is dependent on a compatible cellular data connection. Please check with your local Mercedes-Benz Retailer on network compatibility



View offers > Coupé
> Cabriolet



Book a test drive > Coupé
> Cabriolet
> AMG






> Find a Retailer



> View the Range Guide

A revolution in style

Item	Notes		AMG Line	Mercedes-AMG C 43 4MATIC	Mercedes-AMG C 63	Mercedes-AMG C 63 S	Basic RRP excl. VAT (£)	Total RRP incl. VAT (£)
Wheels								
18" aero alloy wheels (4) – 5-spoke design, tremolite grey front: 225/45 tyres rear: 245/40 tyres			RSJ	●	●	-	-	-
19" AMG alloy wheels (4) – 5-twin-spoke design, painted high-gloss black front: 225/40 tyres rear: 255/35 tyres	TIREFIT is replaced by run-flat tyres		604	○	-	-	495.83	595.00
19" AMG alloy wheels (4) – multi-spoke design, painted black front: 225/40 tyres rear: 255/35 tyres	TIREFIT is replaced by run-flat tyres		RVD	-	○	-	495.83	595.00

● Standard ○ Optional - Not available



View offers > Coupé
> Cabriolet



Book a test drive > Coupé
> Cabriolet
> AMG






> Find a Retailer



> View the Range Guide

Wheels

40

Item	Notes		AMG Line	Mercedes-AMG C 43 4MATIC	Mercedes-AMG C 63	Mercedes-AMG C 63 S	Basic RRP excl. VAT (£)	Total RRP incl. VAT (£)	
Wheels									
18" AMG 10-spoke alloy wheels (4) – aerodynamically optimised, painted tantalite grey with a high-sheen finish front: 245/40 rear: 265/40			RUP	-	-	●	-	-	
19"/20" AMG 5-twin-spoke alloy wheels (4) – aerodynamically optimised, painted tantalite grey with a high-sheen finish front: 245/35 rear: 265/45	With red brake calipers		RSW	-	-	-	●	-	
19" AMG cross-spoke forged wheels (4) – painted titanium grey with a high-sheen finish front: 255/35 tyres rear: 285/30 tyres	With red brake calipers on Mercedes-AMG C 63 S only		766	-	-	○	-	1,875.00	2,250.00
				-	-	-	○	1,133.33	1,360.00

● Standard ○ Optional - Not available



View offers

- > Coupé
- > Cabriolet



Book a test drive



- > Coupé
- > Cabriolet
- > AMG



> Find a Retailer



> View the Range Guide

Item	Notes		AMG Line	Mercedes-AMG C 43 4MATIC	Mercedes-AMG C 63	Mercedes-AMG C 63 S	Basic RRP excl. VAT (£)	Total RRP incl. VAT (£)
Wheels								
19" AMG alloy wheels (4) – forged cross-spoke design, painted matt black front: 255/35 tyres rear: 285/30 tyres	With red brake calipers on Mercedes-AMG C 63 S only		767	-	-	○	2,083.33	2,500.00
				-	-	○	1,445.83	1,735.00
19"/20" AMG Performance 5-twin-spoke forged wheels (4) – painted matt black with high-sheen rim flange front: 255/35 tyres rear: 285/30 tyres	With red brake calipers. Only available on Coupé. Image shows optional AMG high-performance ceramic composite braking system (code B07)		RXC	-	-	○	1,995.83	2,395.00



View offers > Coupé
> Cabriolet



Book a test drive > Coupé
> Cabriolet
> AMG



> Find a Retailer



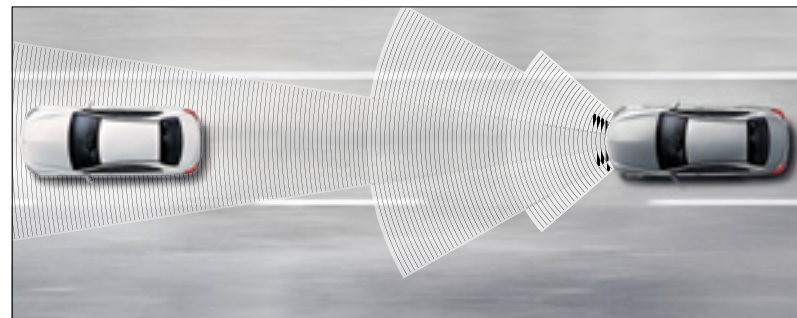
> View the Range Guide

Driving Assistance package

The Driving Assistance package contains a range of highly intelligent features to help you stay safe on the road – by making the drive more effortless, by warning of danger, and by taking steps to protect you in an emergency. This package is only available with automatic transmission and Premium or Premium Plus equipment line (code PYN and PYO).

Driving Assistance package (code 23P) – designed and priced as a package, including items as listed.

AMG Line¹ and Mercedes-AMG C 43 4MATIC Total incl. VAT £1,695.00



DISTRONIC PLUS

¹Only available with automatic transmission and Premium or Premium Plus equipment line (code PYN and PYO)

Driving Assistance package (code 23P)

Active Blind Spot Assist

Active Blind Spot Assist can warn the driver of vehicles in the blind spot during a lane change and can help to avoid a collision by means of one-sided braking intervention

Active Braking Assist with cross-traffic function and tailback emergency braking function

Can help to avoid accidents with vehicles ahead, crossing traffic and also pedestrians, and/or mitigate their consequences

Active Distance Assist DISTRONIC – Active Steering Assist – Active Speed Limit Assist

DISTRONIC proximity control helps maintain the desired distance from another vehicle in front. Active Steering Assist provides targeted steering intervention to prevent unintentional drifting out of lane. Active Speed Limit Assist¹ ensures detected speed limits are automatically adopted as the set speed for Active Distance Assist DISTRONIC

Active Lane-change Assist¹

Assists the driver with changing lanes by means of steering torque as soon as the driver initiates the change by activating the direction indicator, provided the system does not detect another vehicle in the adjacent lane

Active Lane Keeping Assist

Active Lane Keeping Assist can warn drivers when they unintentionally leave their lane and can use one-sided braking intervention to help manoeuvre the vehicle back into its lane (including, in the case of broken lane markings, if there is a risk of collision)

Evasive Steering Assist

Evasive Steering Assist can support the driver in making evasive manoeuvres if, in a dangerous situation, he/she moves to avoid any pedestrian detected by the system

PRE-SAFE[®] Impulse Side

Can prepare the front occupants for a side impact with a lateral impulse, reducing risk of injury

PRE-SAFE[®] PLUS

When a rear-end collision threatens, PRE-SAFE[®] PLUS can initiate preventive measures to protect the occupants, including warning following traffic and locking the brakes on standstill



View offers > Coupé
> Cabriolet



Book a test drive > Coupé
> Cabriolet
> AMG



> Find a Retailer



> View the Range Guide

Optional equipment



Privacy glass



Memory package



Head-up display



View offers > Coupé
> Cabriolet



Book a test drive > Coupé
> Cabriolet
> AMG



> Find a Retailer



> View the Range Guide

Optional equipment

44

Item	Notes	AMG Line	Mercedes-AMG C 43 4MATIC	Mercedes-AMG C 63	Mercedes-AMG C 63 S	Basic RRP excl. VAT (£)	Total RRP incl. VAT (£)	
AMG Performance Studio								
AMG Aerodynamics package Additional side facings for rear apron air vents in high-gloss black Aerodynamically-optimised diffuser in high-gloss black Front splitter in high-gloss black Performance spoiler lip in high-gloss black for more downforce Side member cladding inserts in high-gloss black	Coupé only	B26	-	-	○	○	1,050.00	1,260.00
AMG Exterior Carbon Fibre package 1 AMG front apron A-wing in carbon fibre AMG rear apron diffuser insert in carbon fibre AMG side sill panel inserts in carbon fibre Spoiler lip in carbon fibre		773	-	-	○	○	2,808.33	3,370.00
AMG Exterior Carbon Fibre package 2 AMG carbon fibre exterior mirror housing AMG carbon fibre spoiler lip		B28	-	○	○	○	1,050.00	1,260.00
AMG Night package AMG exhaust system with two black chrome-plated twin tailpipe trim elements AMG side sill panel inserts in high-gloss black Beltline trim strip and window surround in high-gloss black Exterior mirror housings in high-gloss black Front apron in high-gloss black Privacy glass Rear apron trim strip in high-gloss black		P60	-	-	○	○	487.50	585.00



View offers > Coupé
> Cabriolet



Book a test drive > Coupé
> Cabriolet
> AMG



> Find a Retailer



> View the Range Guide

Optional equipment

45

Item	Notes	AMG Line	Mercedes-AMG C 43 4MATIC	Mercedes-AMG C 63	Mercedes-AMG C 63 S	Basic RRP excl. VAT (£)	Total RRP incl. VAT (£)
AMG Performance Studio (continued)							
AMG high-performance ceramic composite braking system		B07	-	-	-	3,570.83	4,285.00
AMG Performance seats Cushion depth adjustment Pneumatically-adjustable seat side bolsters Steep seat angle and optimum lateral support for dynamic driving	Mercedes-AMG C 43 4MATIC Coupé: available with standard interior (code 641A) or with leather upholstery (code 241A) in conjunction with Memory package (code 275) Mercedes-AMG C 43 4MATIC Cabriolet: only available with leather upholstery (code 241A) in conjunction with Memory package (code 275)	555	-	○	○	1,170.83	1,405.00
Dashboard and beltlines in black nappa-look ARTICO man-made leather		U34	-	-	○		
Head-up display Projects key driver information such as vehicle speed, navigation tips and speed limits as virtual colour image (21 × 7 cm) into the driver's field of vision. Special light sensors adjust the brightness of the head-up display to ensure good visibility without distraction. The display is easily height-adjustable		463	-	○	○	600.00	720.00

● Standard ○ Optional - Not available ¹Man-made leather



View offers > Coupé
> Cabriolet



Book a test drive > Coupé
> Cabriolet
> AMG



> Find a Retailer



> View the Range Guide

Optional equipment

46

Item	Notes	AMG Line	Mercedes-AMG C 43 4MATIC	Mercedes-AMG C 63	Mercedes-AMG C 63 S	Basic RRP excl. VAT (£)	Total RRP incl. VAT (£)
Suspension							
AIRMATIC Dynamic Handling package Enhances the ability to tailor the driving experience by combining suspension set-up with each of the driving modes accessed via the DYNAMIC SELECT switch. Self-levelling suspension can be raised by 25 mm to increase ground clearance and automatically lowers by up to 15 mm at high speeds to help reduce aerodynamic drag and improve handling stability. Variable damper control, which optimises damping at each wheel to suit the speed and road conditions		483	○	-	-	745.83	895.00
Exterior							
Privacy glass Includes side windows rear of B-pillar and rear windscreen	Coupé only. Included in AMG Night package (code P60)	840	○	○	○	320.83	385.00
Soft-top in brown	Cabriolet only	741	○	○	○		no-cost option
Soft-top in dark blue	Cabriolet only	744	○	○	○		no-cost option
Soft-top in red	Cabriolet only	742	○	○	○		no-cost option
Tow bar, manually folding – includes 13-pin socket When ordering please discuss with your Retailer any specific electrical towing requirements	Excludes 7-pin adapter	550	○	-	-	625.00	750.00



View offers > Coupé
> Cabriolet



Book a test drive > Coupé
> Cabriolet
> AMG



> Find a Retailer



> View the Range Guide

Optional equipment

47

Item	Notes		AMG Line	Mercedes-AMG C 43 4MATIC	Mercedes-AMG C 63	Mercedes-AMG C 63 S	Basic RRP excl. VAT (£)	Total RRP incl. VAT (£)
Interior								
Memory package Driver's seat, front passenger seat, steering column and exterior mirrors – electrically adjustable with memory	Only available with leather upholstery when ordered in conjunction with AMG Performance seats (code 555)	275	○	○	●	●	500.00	600.00
Paint, Trim and Upholstery								
Paint – metallic		'	○	○	○	○	570.83	685.00
Paint – designo cashmere white magno metallic	Cabriolet only	049	-	-	○	○	1,495.83	1,795.00
Paint – designo diamond white metallic		799	○	○	○	○	745.83	895.00
Paint – designo hyacinth red metallic		996	○	○	-	-	745.83	895.00
Paint – designo selenite grey magno		297	○	○	○	○	1,495.83	1,795.00
Paint – graphite grey magno metallic	Coupé only	818	-	-	○	○	1,495.83	1,795.00
Trim – carbon fibre with analogue clock		H73	-	○	○	○	583.33	700.00
Trim – glass fibre with analogue clock		H84	-	○	○	○	583.33	700.00
Trim – open-pore grey oak with analogue clock	Analogue clock only with automatic transmission	H31	○	○	○	○	162.50	195.00
Trim – open-pore black ash wood with aluminum door trims and analogue clock	Analogue clock only with automatic transmission	737+739	●	○	○	○	162.50	195.00
Upholstery – leather		'	○	○	-	-	662.50	795.00

● Standard ○ Optional - Not available



View offers > Coupé
> Cabriolet



Book a test drive > Coupé
> Cabriolet
> AMG



> Find a Retailer



> View the Range Guide

Optional equipment

48

Item	Notes	14U	AMG Line	Mercedes-AMG C 43 4MATIC	Mercedes-AMG C 63	Mercedes-AMG C 63 S	Basic RRP excl. VAT (£)	Total RRP incl. VAT (£)
Communications and In-Car Entertainment								
Smartphone integration via Android Auto or Apple CarPlay™ Please check on www.android.com/intl/en_uk/auto/ and www.apple.com/uk/ios/carplay/ for compatibility and approved apps. Certain features and apps require a 3G or 4G data connection. Control of features available through voice control and controller on centre console	Standard in conjunction with COMAND Online system – part of the Premium and Premium Plus equipment line (code PYN/PYO)		○	○	●	●	245.83	295.00
Service Package								
ServiceCare ServiceCare allows you to spread the cost of servicing your new car in the Mercedes-Benz Retailer network. Taking out a ServiceCare plan ensures your servicing needs are taken care of by fully trained Mercedes-Benz Technicians with the added benefit of a Mercedes-Benz service history	Price is based on a monthly rate. Example given is for two services taken over 24 months; three services over 36 months; or four services over 48 months. Further payment options are available. New ServiceCare prices apply only to vehicles up to 12 months old prior to first service	1	○	○	-	-	25.83	31.00
			-	-	○	○	32.50	39.00

● Standard ○ Optional - Not available



View offers > Coupé
> Cabriolet



Book a test drive > Coupé
> Cabriolet
> AMG



> Find a Retailer



> View the Range Guide

Genuine Accessories

We've developed a range of Accessories you can add to help personalise and enhance your C-Class. Your local Mercedes-Benz Retailer can advise on fitting costs of Accessories, where applicable. Further information on our full range of Genuine Accessories can be found on the Mercedes-Benz UK website.

01 | Valve caps

Set of 4 decorative chrome caps for valves. Star logo embossed on front, under transparent plastic. Also suitable for tyre pressure monitoring valves.

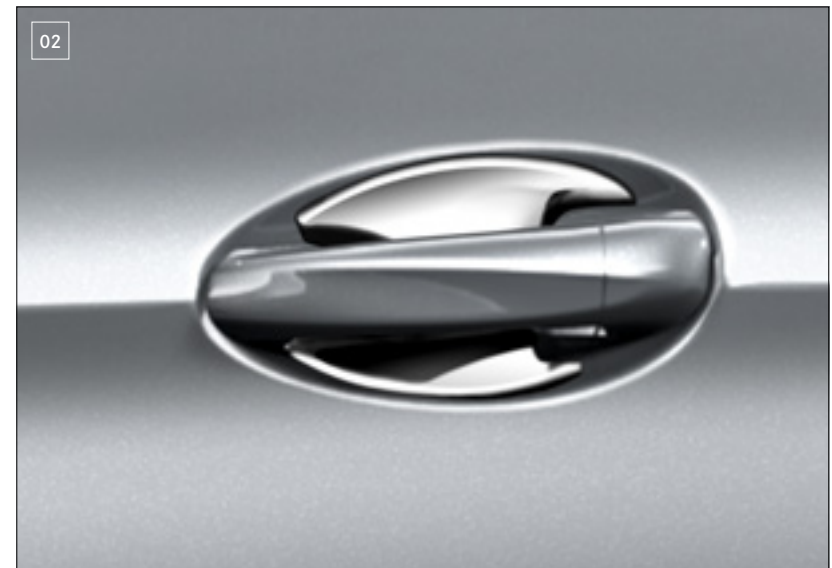
RRP £16.00 (incl. VAT)



02 | Door handle recess

High-shine door handle recesses in chrome design. Protects the recess behind the door handle from scratches and offers a high-quality, individual look.

RRP £41.76 (incl. VAT), excluding fitting





View offers
 > Coupé
 > Cabriolet



Book a test drive
 > Coupé
 > Cabriolet
 > AMG



> Find a Retailer



> View the Range Guide

03 | Luggage net

Prevents lightweight objects from sliding around during the journey. The net is in pocket format.

RRP £52.80 (incl. VAT)

04 | All-season floor mats

Robust, washable synthetic material, designed for heavy use. Latest design with recessed areas and raised edge. With distinctive Mercedes-Benz star logo. Price for front and rear mats.

RRP £92.44 (incl. VAT)





View offers > Coupé
> Cabriolet



Book a test drive > Coupé
> Cabriolet
> AMG



> Find a Retailer



> View the Range Guide



05 | Concertina load sill protector

Protects the rear of the car from scratches when you're loading the vehicle – and prevents dirt from the car from getting onto your clothes. Practical design – can be connected to a shallow boot tub or reversible mat.

RRP £41.50 (incl. VAT)

06 | Shallow boot tub

Made from impact-resistant, non-slip polypropylene. Suitable for transporting shopping. Structured surface holds separately available stowage crate in place. Vehicle's load-securing rings remain accessible.

RRP £86.40 (incl. VAT)



View offers > Coupé
> Cabriolet



Book a test drive > Coupé
> Cabriolet
> AMG



> Find a Retailer



> View the Range Guide



07 | Basic carrier bars

Aluminium carrier bars, precision-tailored to the body of your Mercedes-Benz – the perfect basis for a range of Mercedes-Benz transport accessories such as bicycle rack or roof boxes. Aerodynamic Mercedes-Benz design with optimised noise level. Crash-tested. Lockable.

RRP £231.60 (incl. VAT)

08 | Sports pedals

For a sporty look – the pedal covers, in brushed stainless steel, add a sporty, high-quality touch to the interior. These genuine accessories feature a non-slip rubber stud inlay and comply with Mercedes-Benz's safety standards. Available for both manual and automatic models.

RRP from £130.80 (incl. VAT)

09 | Folding draught stop

The draught stop protects against draughts in the front and makes driving with the top down possible even at higher speeds and cooler temperatures. It's installed above the rear seats and can be removed again at any time, to be stowed away in its protective cover in the boot. Cabriolet only.

RRP £294.00 (incl. VAT), excluding fitting



Colours and materials

Non-metallic paints

Standard



149 polar white

Metallic paints

Optional



197 obsidian black



890 cavansite blue¹



775 iridium silver



896 brilliant blue



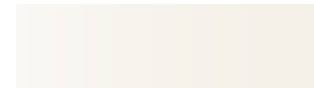
859 mojave silver



992 selenite grey

Special metallic paints

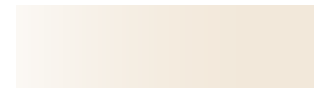
Additional-cost option



049 designo cashmere white magno^{1,2}



297 designo selenite grey magno



799 diamond white



818 graphite grey magno^{2,3}



996 designo hyacinth red

Soft-top colours



740 black



741 dark brown



742 dark red



744 dark blue

¹Cabriolet only ²Mercedes-AMG C63/S only ³Coupé only Please note that, owing to limitations of on-screen representation, paint colours may differ from those shown



ARTICO leather¹/DINAMICA²
AMG Line
(standard)



651A black

ARTICO leather¹/DINAMICA²
Mercedes-AMG C 43 4MATIC
(standard)



641A black with red contrast stitching

Leather
AMG Line and Mercedes-AMG
C 43 4MATIC (optional)



201A black



224A saddle brown



225A porcelain



227A cranberry red



241A black with red contrast stitching³

Nappa leather
Mercedes-AMG C 63/S
(standard)



801A/811A black

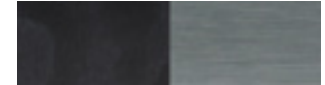


851A two-tone platin white pearl/black

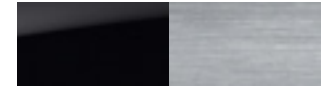


857A two-tone red pepper/black

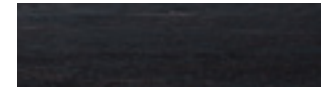
Trim
Standard and optional⁴



737+739 black ash wood/aluminium



739 high-gloss black/aluminium



H31 open-pore grey oak



H73 AMG carbon fibre/aluminium



H84 AMG glass fibre/aluminium

¹Man-made leather ²DINAMICA microfibre ³Only available for Mercedes-AMG C 43 4MATIC ⁴For detailed availability please refer to optional equipment section from page 47



View offers > Coupé
> Cabriolet



Book a test drive > Coupé
> Cabriolet
> AMG



> Find a Retailer



> View the Range Guide

Trim and upholstery combinations

	AMG Line	Mercedes-AMG C 43 4MATIC	Mercedes-AMG C 63 and C 63 S		
	ARTICO man-made leather/ DINAMICA microfibre	ARTICO man-made leather/ DINAMICA microfibre	Nappa leather		
	black (651A)	black/red contrast stitching (641A)	black (801A/811A)	two-tone platinum white/black (851A)	two-tone red pepper/black (857A)
Dashboard					
Steering wheel	black	black	black	black	black
Upper dashboard trim	black	black/red contrast stitching	black	black	black
Lower dashboard trim	black	black	black	black	black
Seats					
Seat cushion centre section	black	black/red contrast stitching	black	platinum white	red pepper
Side bolster trim	black	black/red contrast stitching	black	black	black
Head restraint	black	black/red contrast stitching	black	black	black
Seat belt	black	red	black/crystal grey	black/crystal grey	black
Doors					
Door trim at beltline	black	black/red contrast stitching	black/crystal grey	black/platinum white	black/red pepper
Door centre panel	black	black/red contrast stitching	black	black	black
Roof liner	black	black	black	black	black
Parcel shelf	black	black	black	black	black
Floor covering					
Front and rear	black	black	black	black	black



Combination options

	ARTICO man-made leather/ DINAMICA microfibre AMG Line	ARTICO leather/ DINAMICA microfibre Mercedes-AMG C43 4MATIC	Leather AMG Line/ Mercedes-AMG C43 4MATIC	Nappa leather Mercedes-AMG C63/S
Non-metallic paints (standard)				
149 polar white	●	●	● ● ● ● ●	● ● ●
Metallic paints (optional)				
197 obsidian black	●	●	● ● ● ● ●	● ● ●
775 iridium silver	●	●	● ● ● ● ●	● ● ●
859 mojave silver	●	●	● ● ○ ● ●	● ● ●
890 cavansite blue	●	●	● ● ○ ○ ●	● ● △
896 brilliant blue	●	●	● ● ● △ ●	● ● △
992 selenite grey	●	●	● ● ● ● ●	● ● ●
Special metallic paints (additional-cost option)				
049 designo cashmere white magno	●	●	● ● ● ● ●	● ● ●
297 designo selenite grey magno	●	●	● ● ● ● ●	● ● ●
799 diamond white	●	●	● ● ● ● ●	● ○ ●
818 graphite grey magno	●	●	● ● ● ● ●	● ● ●
996 designo hyacinth red	●	●	● △ ○ ● ●	● ○ ○

● Recommended ○ Possible △ Not recommended - Not available Please note that, owing to limitations of on-screen representation, paint colours may differ from those shown



Technical data – Coupé

		Diesel engine			
Model		C 220 d	C 220 d 4MATIC	C 300 d	C 300 d 4MATIC
Engine					
Total displacement	cc	1,950	1,950	1,950	1,950
Arrangement/cylinders/valves		in-line/4/16	in-line/4/16	in-line/4/16	in-line/4/16
Fuel delivery		Common-rail diesel with twin turbochargers	Common-rail diesel with twin turbochargers	Common-rail diesel with twin turbochargers	Common-rail diesel with twin turbochargers
Power ¹	hp (kW) at rpm	194 (143)/3,800	194 (143)/3,800	245 (180)/4,200	245 (180)/4,200
Torque ¹	Nm at rpm	400/1,600–2,800	400/1,600–2,800	500/1,600–2,400	500/1,600–2,400
Compression ratio		15.5:1	15.5:1	15.5:1	15.5:1
Transmission					
9G-TRONIC PLUS 9-speed auto.		●	●	●	●
Tyre sizes					
Front		225/45 R 18	225/45 R 18	225/45 R 18	225/45 R 18
Rear		245/40 R 18	245/40 R 18	245/40 R 18	245/40 R 18



		Diesel engine			
Model		C 220 d	C 220 d 4MATIC	C 300 d	C 300 d 4MATIC

Performance

Acceleration 0–62 mph	sec	7.0	7.3	6.0	6.0
Top speed	mph	149	145	155 ³	155 ³

Weights and capacities

Kerb weight ³	kg	1,650	1,705	1,690	1,735
Perm. Gross Vehicle Weight	kg	2,145	2,200	2,185	2,230
Towing capacity – unbraked/ braked	kg	750/ 1,800	750/ 1,800	750/ 1,800	750/ 1,800
Boot capacity	l	380	380	380	380
Fuel tank capacity/ of which reserve	l	66/7	66/7	66/7	66/7
Turning circle	m	11.22	15.55	11.22	15.55

²Electronically limited

³Figures according to Directive 92/21/EC (kerb weight with fuel tank 90% full, driver 68 kg, and luggage 7 kg) for standard-specification vehicles. Optional extras and accessories will generally increase this figure and reduce the payload capacity accordingly



View offers > Coupé
> Cabriolet



Book a test drive > Coupé
> Cabriolet
> AMG



> Find a Retailer



> View the Range Guide

Model	Diesel engine			
	C 220 d	C 220 d 4MATIC	C 300 d	C 300 d 4MATIC

Fuel consumption^{4,5,6} mpg

Urban	52.3	45.6	47.1	45.6
Extra-urban ⁷	68.9	67.3	65.7	61.4
Combined	61.4	57.7	57.7	54.3

CO₂ emissions^{5,6} g/km

Emissions standard	EU6	EU6	EU6	EU6
18" 245/40 tyres	121	129	129	137
19" 255/35 tyres	130	141	143	150

Insurance group ratings

Base model: AMG Line	tba	tba	tba	tba
Incl. Premium	tba	tba	tba	tba
Incl. Premium Plus	tba	tba	tba	tba

Insurance ratings may vary depending on model line and specification. Please refer to <http://www.thatcham.org/abigrouprating/> for further details

⁴All figures are based on a standard specification with the smallest tyre size ⁵The choice of wheels and transmission may affect CO₂ emissions and corresponding Road Fund Licence

⁶The indicated values were determined according to the prescribed measurement method. These are the 'NEDC CO₂ values' according to Worldwide Harmonised Light Vehicle Test Procedure (WLTP). For more information on these values and how they have been calculated please see www.mercedes-benz.co.uk/WLTP ⁷EUDC: extra-urban driving cycle. Testing procedures adhere to EU Directive 93/116



Model	Petrol engines					
	C 180	C 200	C 200 4MATIC	C 300	Mercedes-AMG C 43 4MATIC	Mercedes-AMG C 63 [C 63 S]

Engine		C 180	C 200	C 200 4MATIC	C 300	Mercedes-AMG C 43 4MATIC	Mercedes-AMG C 63 [C 63 S]
Total displacement	cc	1,595	1,497	1,497	1,991	2,996	3,982
Arrangement/cylinders/valves		in-line/4/16	in-line/4/16	in-line/4/16	in-line/4/16	V/6/24	V/8/32
Fuel delivery		Electronically controlled direct injection with turbocharger	Electronically controlled direct injection with twin-scroll turbochargers	Electronically controlled direct injection with twin-scroll turbochargers	Electronically controlled direct injection with twin-scroll turbochargers	Electronically controlled direct injection	Electronically controlled direct injection with twin turbochargers
Power ¹	hp (kW) at rpm						
	Combustion engine	156 (115)/5,300	184 (135)/5,800–6,100	184 (135)/5,800–6,100	258 (190)/5,800–6,100	390 (287)/6,100	476 (350)/5,500–6,250 [510 (375)/5,500–6,250]
	EQ Boost	–	14 (10)	14 (10)	–	–	–
Torque ¹	Nm at rpm						
	Combustion engine	250/1,200–4,000	280/3,000–4,000	280/3,000–4,000	370/1,800–4,000	520/2,500–5,000	650/1,750–4,500 [700/2,000–4,500]
Compression ratio		10.3:1	10.5:1	10.5:1	10.5:1	10.5:1	10.5:1

Transmission		C 180	C 200	C 200 4MATIC	C 300	Mercedes-AMG C 43 4MATIC	Mercedes-AMG C 63 [C 63 S]
6-speed manual		●	–	–	–	–	–
9G-TRONIC PLUS 9-speed auto.		○	●	●	●	●	–
AMG SPEEDSHIFT MCT 9-speed auto.		–	–	–	–	–	●



Model	Petrol engines					
	C 180	C 200	C 200 4MATIC	C 300	Mercedes-AMG C 43 4MATIC	Mercedes-AMG C 63 [C 63 S]

Tyre sizes						
Front	225/45 R 18	225/45 R 18	225/45 R 18	225/45 R 18	225/45 R 18	245/40 [245/35]
Rear	245/40 R 18	245/40 R 18	245/40 R 18	245/40 R 18	245/40 R 18	265/40 [265/45]

Performance		man.	auto.	auto.	auto.	auto.	auto.	auto.
Acceleration 0–62 mph	sec	8.5	8.5	7.9	8.4	6.0	4.7	4.0 [3.9]
Top speed	mph	140	140	149	145	155 ²	155 ²	155 ² [180]

Weights and capacities		man.	auto.	auto.	auto.	auto.	auto.	auto.
Kerb weight ³	kg	1,505	1,530	1,590	1,660	1,600	1,750	1,810 [1,820]
Perm. Gross Vehicle Weight	kg	2,000	2,025	2,085	2,155	2,095	2,185	2,155 [2,160]
Towing capacity – unbraked/ braked	kg	750/ 1,400	750/ 1,800	750/ 1,800	750/ 1,800	750/ 1,800	750/ 1,800	–/ –
Boot capacity	l	380	380	360	360	380	400	355
Fuel tank capacity/ of which reserve	l	66/7	66/7	66/7	66/7	66/7	66/7	66/7
Turning circle	m	11.22	11.22	11.22	15.55	11.22	12.10	11.80

²Electronically limited

³Figures according to Directive 92/21/EC (kerb weight with fuel tank 90% full, driver 68 kg, and luggage 7 kg) for standard-specification vehicles. Optional extras and accessories will generally increase this figure and reduce the payload capacity accordingly



Petrol engines								
Model	C 180	C 200	C 200 4MATIC	C 300	Mercedes-AMG C 43 4MATIC	Mercedes-AMG C 63 [C 63 S]		
Fuel consumption^{4,5,6} mpg	man.	auto.	auto.	auto.	auto.	auto.	auto.	auto.
Urban	37.7	34.9	34.9	32.5	31.7	22.2	20.2	[20.2]
Extra-urban ⁷	57.7	54.3	56.5	53.3	56.5	36.7	36.2	[36.2]
Combined	48.7	44.8	46.3	42.8	44.1	29.7	28.0	[28.0]
CO₂ emissions^{5,6} g/km	man.	auto.	auto.	auto.	auto.	auto.	auto.	auto.
Emissions standard	EU6	EU6	EU6	EU6	EU6	EU6	EU6	EU6
18" 245/40 tyres	134	145	140	150	147	217	230	[-]
19" 255/35 tyres	145	152	148	159	157	217	230	[230]
20" 285/30 tyres	-	-	-	-	-	-	-	[230]

Insurance group ratings

Base model: AMG Line	tba	tba	tba	tba	tba	tba	tba
Incl. Premium	-	tba	tba	tba	tba	tba	-
Incl. Premium Plus	-	tba	tba	tba	tba	tba	tba

Insurance ratings may vary depending on model line and specification. Please refer to <http://www.thatcham.org/abigrouprating/> for further details

⁴All figures are based on a standard specification with the smallest tyre size ⁵The choice of wheels and transmission may affect CO₂ emissions and corresponding Road Fund Licence

⁶The indicated values were determined according to the prescribed measurement method. These are the 'NEDC CO₂ values' according to Worldwide Harmonised Light Vehicle Test Procedure (WLTP). For more information on these values and how they have been calculated please see www.mercedes-benz.co.uk/WLTP ⁷EUDC: extra-urban driving cycle. Testing procedures adhere to EU Directive 93/116



View offers > Coupé
> Cabriolet



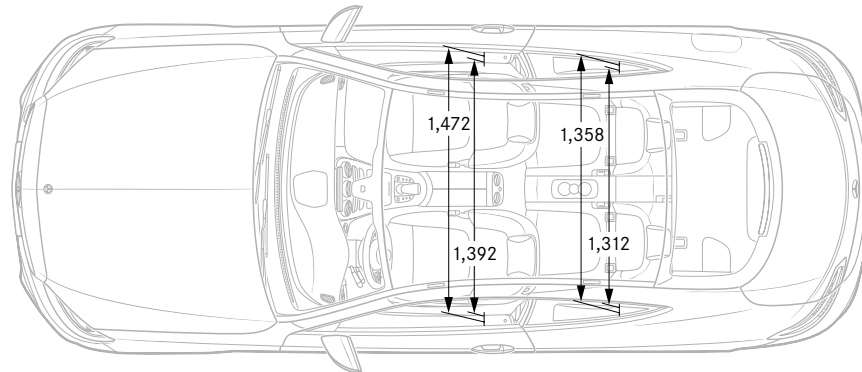
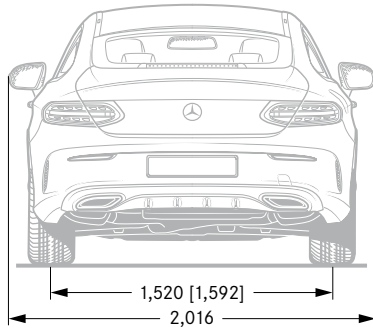
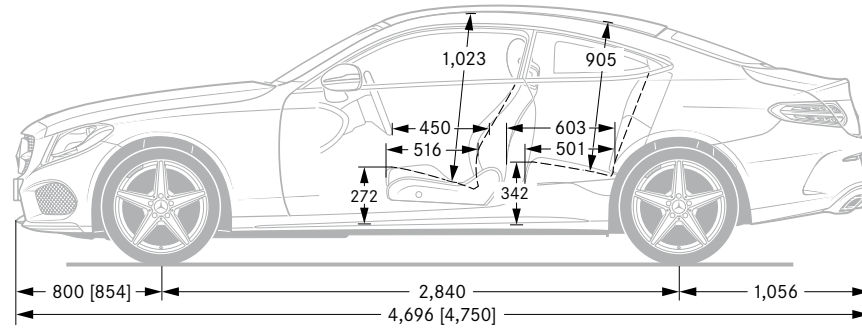
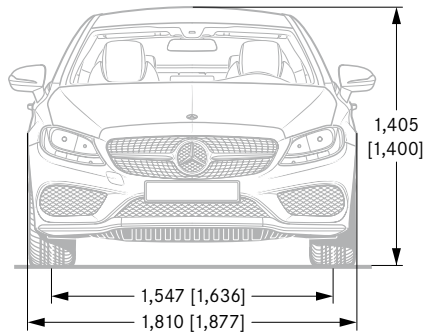
Book a test drive > Coupé
> Cabriolet
> AMG



> Find a Retailer



> View the Range Guide



Figures in square brackets relate to Mercedes-AMG models. All measurements in millimetres. The dimensions are mean values and apply to standard-specification, unladen vehicles. The figures on pages 57–63 are correct at time of publication. Please refer to the government website for latest data – <http://carfueldata.direct.gov.uk/>



Technical data – Cabriolet

		Diesel engine		
Model		C 220 d	C 220 d 4MATIC	C 300 d
Engine				
Total displacement	cc	1,950	1,950	1,950
Arrangement/cylinders/valves		in-line/4/16	in-line/4/16	in-line/4/16
Fuel delivery		Common-rail diesel with twin turbochargers	Common-rail diesel with twin turbochargers	Common-rail diesel with twin turbochargers
Power ¹	hp (kW) at rpm	194 (143)/3,800	194 (143)/3,800	245 (180)/4,200
Torque ¹	Nm at rpm	400/1,600–2,800	400/1,600–2,800	500/1,600–2,400
Compression ratio		15.5:1	15.5:1	15.5:1
Transmission				
9G-TRONIC PLUS 9-speed auto.		●	●	●
Tyre sizes				
Front		225/45 R 18	225/45 R 18	225/45 R 18
Rear		245/40 R 18	245/40 R 18	245/40 R 18



View offers > Coupé
> Cabriolet



Book a test drive > Coupé
> Cabriolet
> AMG



> Find a Retailer



> View the Range Guide

		Diesel engine		
Model		C 220 d	C 220 d 4MATIC	C 300 d
Performance				
Acceleration 0–62 mph	sec	7.5	7.8	6.3
Top speed	mph	145	142	155 ³
Weights and capacities				
Kerb weight ³	kg	1,785	1,840	1,820
Perm. Gross Vehicle Weight	kg	2,250	2,305	2,285
Towing capacity – unbraked/ braked	kg	750/ 1,800	750/ 1,800	750/ 1,800
Boot capacity (roof down)	l	360 (285)	360 (285)	360 (285)
Fuel tank capacity/ of which reserve	l	66/7	66/7	66/7
Turning circle	m	11.22	15.52	11.22

²Electronically limited

³Figures according to Directive 92/21/EC (kerb weight with fuel tank 90% full, driver 68 kg, and luggage 7 kg) for standard-specification vehicles. Optional extras and accessories will generally increase this figure and reduce the payload capacity accordingly



View offers > Coupé
> Cabriolet



Book a test drive > Coupé
> Cabriolet
> AMG



> Find a Retailer



> View the Range Guide

Model	Diesel engine		
	C 220 d	C 220 d 4MATIC	C 300 d

Fuel consumption ^{4,5,6} mpg			
Urban	54.3	44.1	46.3
Extra-urban ⁷	62.8	62.8	60.1
Combined	58.9	54.3	54.3

CO ₂ emissions ^{5,6} g/km			
Emissions standard	EU6	EU6	EU6
18" 245/40 tyres	126	136	138
19" 255/35 tyres	136	148	151

Insurance group ratings			
Base model: AMG Line	tba	tba	tba
Incl. Premium	tba	tba	tba
Incl. Premium Plus	tba	tba	tba

Insurance ratings may vary depending on model line and specification. Please refer to <http://www.thatcham.org/abigrouprating/> for further details

⁴All figures are based on a standard specification with the smallest tyre size ⁵The choice of wheels and transmission may affect CO₂ emissions and corresponding Road Fund Licence

⁶The indicated values were determined according to the prescribed measurement method. These are the 'NEDC CO₂ values' according to Worldwide Harmonised Light Vehicle Test Procedure (WLTP). For more information on these values and how they have been calculated please see www.mercedes-benz.co.uk/WLTP ⁷EUUC: extra-urban driving cycle. Testing procedures adhere to EU Directive 93/116



View offers > Coupé
> Cabriolet



Book a test drive > Coupé
> Cabriolet
> AMG



> Find a Retailer



> View the Range Guide

Model	Petrol engines				
	C 180	C 200	C 300	Mercedes-AMG C 43 4MATIC	Mercedes-AMG C 63 [C 63 S]
Engine					
Total displacement cc	1,595	1,497	1,991	2,996	3,982
Arrangement/cylinders/valves	in-line/4/16	in-line/4/16	in-line/4/16	V/6/24	V/8/32
Fuel delivery	Electronically controlled direct injection with turbocharger	Electronically controlled direct injection with twin-scroll turbochargers	Electronically controlled direct injection with twin-scroll turbochargers	Electronically controlled direct injection	Electronically controlled direct injection with twin turbochargers
Power ¹ hp (kW) at rpm Combustion engine	156 (115)/5,300	184 (135)/5,800–6,100	258 (190)/5,800–6,100	390 (287)/6,100	476 (350)/5,500–6,250 [510 (375)/5,500–6,250]
EQ Boost	–	14 (10)	–	–	–
Torque ¹ Nm at rpm Combustion engine	250/1,200–4,000	280/3,000–4,000	370/1,800–4,000	520/2,500–5,000	650/1,750–4,500 [700/2,000–4,500]
Compression ratio	10.3:1	10.5:1	10.5:1	10.5:1	10.5:1
Transmission					
6-speed manual	●	–	–	–	–
9G-TRONIC PLUS 9-speed auto.	○	●	●	●	–
AMG SPEEDSHIFT MCT 9-speed auto.	–	–	–	–	●



View offers > Coupé
> Cabriolet



Book a test drive > Coupé
> Cabriolet
> AMG



> Find a Retailer



> View the Range Guide

		Petrol engines				
Model		C 180	C 200	C 300	Mercedes-AMG C 43 4MATIC	Mercedes-AMG C 63 [C 63 S]
Tyre sizes						
Front		225/45 R 18	225/45 R 18	225/45 R 18	225/45 R 18	245/40 [245/35]
Rear		245/40 R 18	245/40 R 18	245/40 R 18	245/40 R 18	265/40 [265/45]
Performance						
		man.	auto.	auto.	auto.	auto.
Acceleration 0–62 mph	sec	8.9	8.9	8.5	6.2	4.8
Top speed	mph	138	137	146	155 ²	155 ³ [174]
Weights and capacities						
		man.	auto.	auto.	auto.	auto.
Kerb weight ³	kg	1,650	1,665	1,730	1,735	1,885
Perm. Gross Vehicle Weight	kg	2,115	2,130	2,195	2,200	2,315
Towing capacity – unbraked/ braked	kg	750/ 1,400	750/ 1,800	750/ 1,800	750/ 1,800	750/ 1,800
Boot capacity (roof down)	l	360 (285)	360 (285)	335 (260)	360 (285)	355 (280)
Fuel tank capacity/ of which reserve	l	66/7	66/7	66/7	66/7	66/7
Turning circle	m	11.22	11.22	11.22	11.22	12.10

²Electronically limited

³Figures according to Directive 92/21/EC (kerb weight with fuel tank 90% full, driver 68 kg, and luggage 7 kg) for standard-specification vehicles. Optional extras and accessories will generally increase this figure and reduce the payload capacity accordingly



View offers > Coupé
> Cabriolet



Book a test drive > Coupé
> Cabriolet
> AMG



> Find a Retailer



> View the Range Guide

Model	Petrol engines					
	C 180	C 200	C 300	Mercedes-AMG C 43 4MATIC	Mercedes-AMG C 63 [C 63 S]	
Fuel consumption ^{4,5,6} mpg	man.	auto.	auto.	auto.	auto.	auto.
Urban	34.0	35.8	34.0	31.0	22.1	19.5 [19.5]
Extra-urban ⁷	51.4	49.6	54.3	53.3	35.8	35.3 [35.3]
Combined	43.5	43.5	44.1	42.2	29.1	27.2 [27.2]
CO₂ emissions ^{5,6} g/km	man.	auto.	auto.	auto.	auto.	auto.
Emissions standard	EU6	EU6	EU6	EU6	EU6	EU6
18" 245/40 tyres	149	149	145	153	223	236 [-]
19" 255/35 tyres	156	159	154	163	223	236 [236]

Insurance group ratings

Base model: AMG Line	tba	tba	tba	tba	tba	tba
Incl. Premium	-	tba	tba	tba	tba	-
Incl. Premium Plus	-	tba	tba	tba	tba	tba

Insurance ratings may vary depending on model line and specification. Please refer to <http://www.thatcham.org/abigrouprating/> for further details

⁴All figures are based on a standard specification with the smallest tyre size ⁵The choice of wheels and transmission may affect CO₂ emissions and corresponding Road Fund Licence

⁶The indicated values were determined according to the prescribed measurement method. These are the 'NEDC CO₂ values' according to Worldwide Harmonised Light Vehicle Test Procedure (WLTP). For more information on these values and how they have been calculated please see www.mercedes-benz.co.uk/WLTP ⁷EUDC: extra-urban driving cycle. Testing procedures adhere to EU Directive 93/116



View offers > Coupé
> Cabriolet



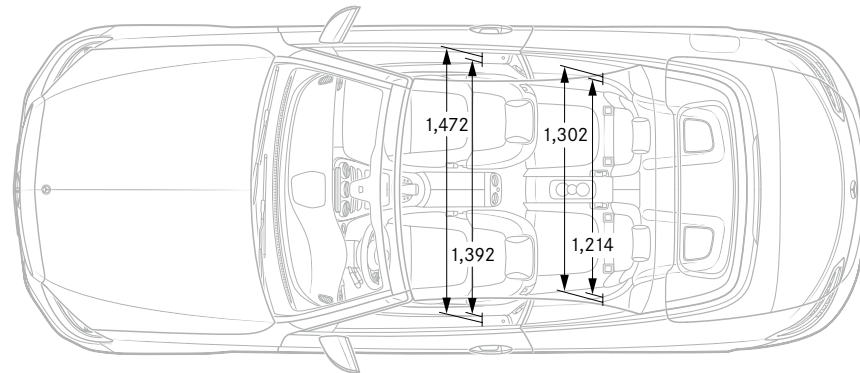
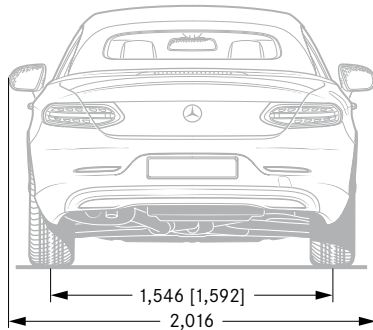
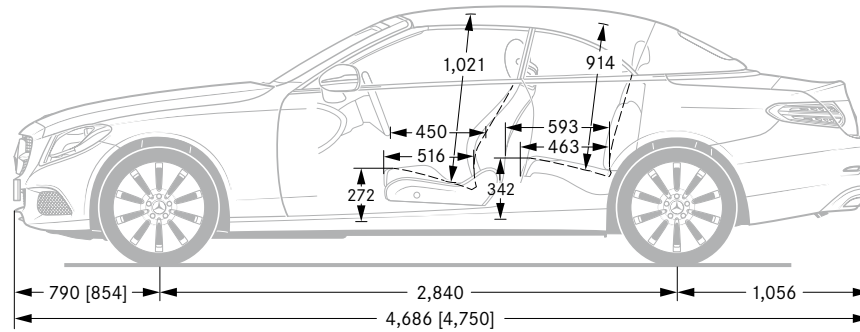
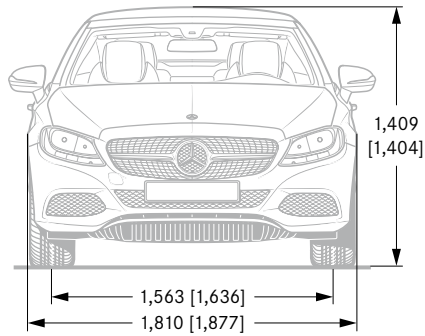
Book a test drive > Coupé
> Cabriolet
> AMG



> Find a Retailer



> View the Range Guide



Figures in square brackets relate to Mercedes-AMG models. All measurements in millimetres. The dimensions are mean values and apply to standard-specification, unladen vehicles. The figures on pages 64–70 are correct at time of publication. Please refer to the government website for latest data – <http://carfueldata.direct.gov.uk/>



View offers

- > Coupé
- > Cabriolet



Book a test drive

- > Coupé
- > Cabriolet
- > AMG



Find a Retailer



View the Range Guide

Road Fund Licence



All road vehicle registrations are subject to Vehicle Excise Duty (Road Fund Licence), which varies in accordance with the vehicle's CO₂ emissions. A first year rate for each taxation band will apply. The table below shows the bands (A–M) created by the DVLA and the corresponding Road Fund Licence. CO₂ emissions are listed in the technical data on pages 59, 62, 66 and 69, and the relevant Excise Duty is reflected in the on-the-road prices on pages 9–12.

Band	CO ₂ emissions	First year rate (£)	First year rate diesel (£) ¹	Standard rate (£)	Premium rate (£) ²
A	0 g/km	0.00	0.00	0.00	310.00
B	1 to 50 g/km	10.00	25.00	140.00	450.00
C	51 to 75 g/km	25.00	105.00	140.00	450.00
D	76 to 90 g/km	105.00	125.00	140.00	450.00
E	91 to 100 g/km	125.00	145.00	140.00	450.00
F	101 to 110 g/km	145.00	165.00	140.00	450.00
G	111 to 130 g/km	165.00	205.00	140.00	450.00
H	131 to 150 g/km	205.00	515.00	140.00	450.00
I	151 to 170 g/km	515.00	830.00	140.00	450.00
J	171 to 190 g/km	830.00	1,240.00	140.00	450.00
K	191 to 225 g/km	1,240.00	1,760.00	140.00	450.00
L	226 to 255 g/km	1,760.00	2,070.00	140.00	450.00
M	over 255 g/km	2,070.00	2,070.00	140.00	450.00

¹Applies to all Mercedes-Benz diesel models which do not comply with Real Driving Emissions step 2 (RDE2)

²Premium rate only applicable to vehicles where the list price is over £40,000 including any factory-fitted options, standard UK delivery charge, number plates, fuel and VAT



View offers

- > Coupé
- > Cabriolet



Book a test drive

- > Coupé
- > Cabriolet
- > AMG



> Find a Retailer



> View the Range Guide

Services and insurance

Mercedes-Benz ServiceCare

We believe that servicing costs should be as flexible and affordable as possible for your C-Class, which is why we offer ServiceCare, an easy way to budget for all your servicing costs. It spreads your bills into manageable payments based on whether you have a new or used Mercedes-Benz.

With ServiceCare we guarantee the price of parts and labour for up to four services and safeguard against any further inflation. It also covers the cost of any additional items including brake fluid, spark plugs, air filters, fuel filters and screen wash.

You can choose either to add your servicing costs into your monthly spend or pay the full amount in a one-off payment, giving you peace of mind that they are taken care of for the period of the plan.

To receive a personalised ServiceCare plan recommendation visit the ServiceCare Calculator at servicecarerates.mercedes-benz.co.uk

Warranty and breakdown cover

Every Mercedes-Benz comes with a three-year unlimited mileage warranty against manufacturing or material defects¹ and up to 30 years warranty against perforation due to corrosion from the inside out.² What's more, it's also covered by Mercedes-Benz Roadside Assistance – a unique package comprising up to 30 years pan-European breakdown assistance.²

Insurance

Since our name is synonymous with reliability, who better to trust with your motor insurance? Mercedes-Benz Insurance provides a motor insurance policy specifically designed to give you the cover you would expect from Mercedes-Benz. For a motor insurance quotation, call **0345 600 2180**.*

¹Applies to vehicles sold by Mercedes-Benz in the UK to its franchised Retailers ²Subject to full Terms and Conditions, dependent on date of registration, available upon request Mercedes-Benz Motor Insurance is underwritten by Aviva Insurance UK Limited. Credit provided, subject to status, by Mercedes-Benz Financial Services UK Ltd, MK15 8BA *For joint protection, calls may be recorded and/or monitored. All calls charged at local rate. We may decline to quote in some circumstances



View offers

- > Coupé
- > Cabriolet



Book a test drive

- > Coupé
- > Cabriolet
- > AMG



> Find a Retailer



> View the Range Guide

Mercedes me connect

Mercedes me connect enables you to connect to your car via desktop, tablet or smartphone via an app. It provides access to services that enhance your Mercedes-Benz experience and fit effortlessly into your daily digital routine.¹

Standard Services.

Available on all models, except G-Class.

- **Emergency Call** – if there’s an accident, this feature automatically shares your vehicle location and status for a fast response from the emergency services
- **Accident & Breakdown Management** – contact our Customer Assistance Centre with a single button for fast breakdown recovery
- **Telediagnosics** – automatically detects and shares details of any vehicle wear and tear with you, and shares the data with your Retailer
- **Maintenance Management** – reminds you when your service is due and automatically shares maintenance data with your Retailer
- **Parking Time Assist** – track the time on your parking meter and receive an alert when it’s due to expire



Vehicle Setup.

These services come as standard if you have COMAND Online. Available as an optional £69 upgrade for all other customers.

- **Personal Profile** – store your preferences, such as your favourite radio stations and apps, to create your personal driver profile
- **Maintenance (Vehicle Status)** – check safety information, such as coolant level and brake pad condition, so you can be sure your car is safe and ready to drive
- **Remote Door Unlock** – lock and unlock your car remotely, wherever you are in the world
- **Send to Car Function** – search for destinations on your smartphone, tablet or desktop, then send the routes direct to your car for navigation

¹Currently unavailable in the Channel Islands and the Isle of Man



View offers

- > Coupé
- > Cabriolet



Book a test drive

- > Coupé
- > Cabriolet
- > AMG



> Find a Retailer



> View the Range Guide

Remote Online Services.

Standard on all models with COMAND Online, except for new E-Class. Available to purchase for an additional £150.00 (incl. VAT) for all models without COMAND Online.

- **Trip information and vehicle status** – access the vehicle's trip data such as fuel level, mileage, condition of brake pads and tyre pressure
- **Remote door locking and unlocking** – lock and unlock your car remotely, wherever you are in the world
- **Geofencing** – set up a geographical boundary and receive alerts whenever your car enters or leaves this area
- **Parked Vehicle Locator** – locate your parked vehicle within a range of one mile and plot a route back to it
- **Vehicle Tracker** – track the location of your car anywhere in the world

Additional services for Plug-In Hybrid and electric models only, as part of Remote Online services:

- **Pre-entry climate control** – activate the pre-entry climate control system of your parked vehicle and set the temperature to your liking before boarding
- **Route planning** – displays the electric operating range on a map and enables you to plan a route while stopping at public charging stations
- **Charging points** – displays a list of the nearest public charging stations
- **Charging profile** – control the charging settings from a distance so your vehicle can be ready charged when you need it

Vehicle Monitoring.

Standard with COMAND Online for all models, except the new E-Class. Available to purchase for new E-Class and all other customers as an additional £69 upgrade.

- **Geo-fencing** – set up a geographical boundary and receive alerts whenever your car enters or leaves this area
- **Parked Vehicle Locator** – locate your parked car when within 1 mile and plot a route back to it
- **Vehicle Tracker** – track the location of your car anywhere in the world

Visit the Mercedes me connect store for more information:

shop.mercedes-benz.com/en-gb/connect





View offers

- > Coupé
- > Cabriolet



Book a test drive

- > Coupé
- > Cabriolet
- > AMG



> Find a Retailer



> View the Range Guide

Mercedes-Benz Finance

Why should you finance with Mercedes-Benz?

At Mercedes-Benz we believe a great driving experience should be matched by an equally great ownership experience. That is why we put just as much thought, time and effort into designing our finance options, our service plans and our insurance cover as we do into our vehicles.

We are not in the business of simply providing a loan to fund the purchase of your dream vehicle. We look on it as a journey that we take with you, from the moment you choose your new Mercedes-Benz, to helping you in choosing your next one.

If you would like to find out more about any of our current offers, simply call into your local Mercedes-Benz Retailer where one of our Business Managers will be more than happy to talk you through anything you need to know.

Helping you find the right solution.

You should find our finance packages are more convenient than a traditional personal loan because:

- Funds are immediately available – no waiting for cheques or loans to clear.
- There is no security required – either against your home or other assets.
- We have clear and transparent rates – the APR we quote is the APR you get.
- We have friendly Business Managers – experts in vehicle finance who can talk you through all of your plans in detail.

One of our most popular finance products is Mercedes-Benz Agility (our Personal Contract Purchase product). We also offer Contract Hire, Operating Lease and Hire Purchase solutions. If you would like to find out more about these speak to your Retailer or visit www.mercedes-benz.co.uk/fandi.

Mercedes-Benz Agility (our PCP product).

At the start of an Agility agreement, you put down a deposit and decide the term of your agreement and your annual mileage. You will be advised of the Guaranteed Future Value, which offers you the reassurance of knowing exactly what you will need to pay to own the vehicle outright in the future (this is known as the Optional Purchase Payment).

Throughout your agreement you simply pay your agreed monthly payments and when the agreement comes to an end you either purchase, hand back or part-exchange your vehicle.





View offers

- > Coupé
- > Cabriolet



Book a test drive

- > Coupé
- > Cabriolet
- > AMG



> Find a Retailer



> View the Range Guide

Agility features:

- Fixed regular payments mean you can easily budget.
- Payments are based only on a proportion of the vehicle's value, keeping your monthly payments lower.
- Our Guaranteed Future Value avoids the risk of unplanned depreciation of your vehicle.
- You defer your ownership decision until the end of the agreement.

At the end of your agreement you have three options to choose from.

Option 1: Purchase your Mercedes-Benz.

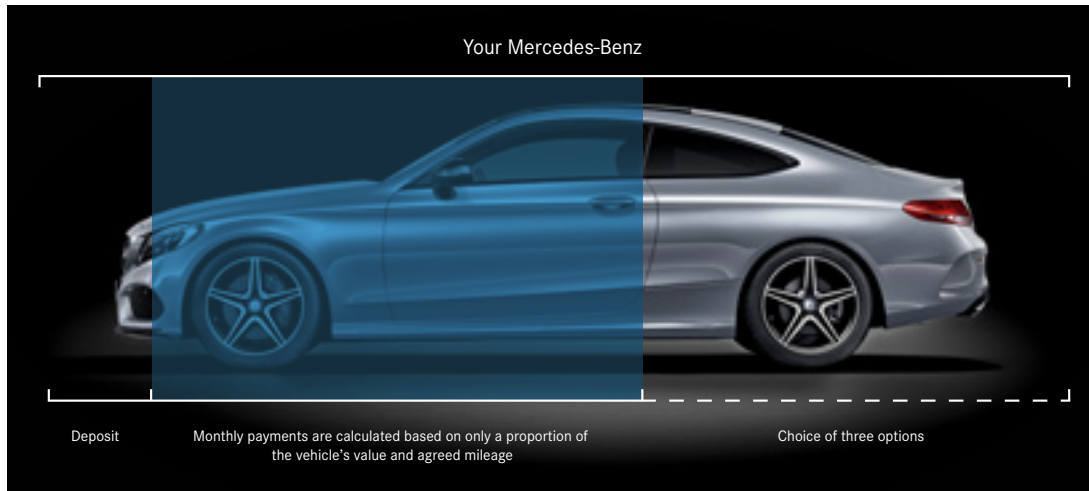
Purchase your Mercedes-Benz by paying the Optional Purchase Payment and Purchase Activation Fee.¹ This will complete the purchase of your Mercedes-Benz, leaving you free to simply enjoy your vehicle.

Option 2: Hand back your Mercedes-Benz.

If you decide to return your vehicle to us, it must be in line with our Vehicle Return Standards,^{*} as vehicle condition, excess mileage and other charges may be payable.

Option 3: Part-Exchange for a new vehicle.

Purchase your Mercedes-Benz by paying the Optional Purchase Payment and Purchase Activation Fee.¹ This will complete the purchase of your Mercedes-Benz, leaving you free to part-exchange for a new vehicle.



¹Please note the 'Purchase Activation Fee' of £10 will be debited from your account *To find out more information about our Vehicle Return Standards please visit <http://mercedes-benz.co.uk/vrs>



View offers > Coupé
> Cabriolet



Book a test drive > Coupé
> Cabriolet
> AMG





> Find a Retailer





> View the Range Guide

Follow us on the following social media channels:

 facebook.com/mercedesbenzuk

 twitter.com/mercedesbenzuk

 youtube.com/mercedesbenzuk

 instagram.com/mercedesbenzuk

Effective from September 2018 Production. Information correct at time of publication.

Prices and specifications are subject to change without prior notice.

MBCA205PL/0718 MY809

Mercedes-Benz Cars UK Limited, Tongwell, Milton Keynes, MK15 8BA. Company number 2448457 www.mercedes-benz.co.uk